

NOTICE

- * Please make sure that you have all parts indicated and they are in good condition before you begin assembly of this item. Refer to part list and hardware list below for guidance.
- * This item should be assembled on a soft surface to prevent scratching the finish during assembly.
- * This item may require periodic tightening.
- * If you are having difficulty, our friendly customer care team is always here to help.

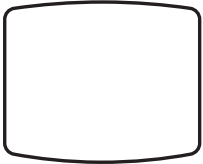
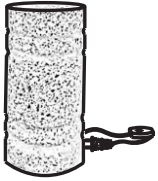

PREPARATION

- * Before beginning assembly of product, make sure all parts are present. Compare parts with part contents list and hardware contents list.
- * If any part is missing or damaged, do not attempt to assemble the product.
- * Estimated assembly time: 10 minutes.

CARE AND MAINTENANCE

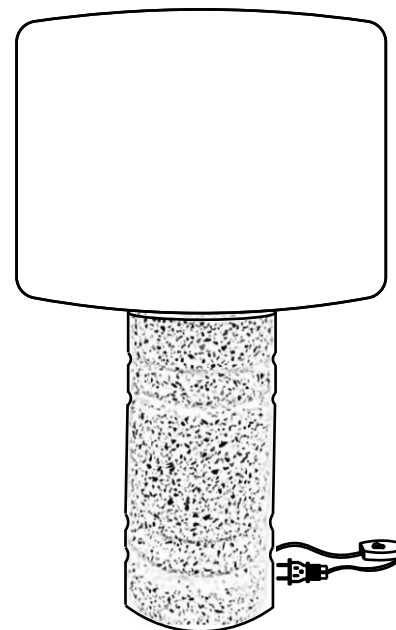
- * Avoid using harsh chemical cleaners or polish on your new item, to keep it clean just a quick dust with soft cotton towel or cloth will do the trick and will avoid damaging the finish or scratching the surface.

PART LIST

S NO.	DESCRIPTION	PICTURE	QUANTITY
A	SHADE		1X
B	BASE		1X
C	HOLDER RING		1X

Installation & Assembly

Product Dimension: 12L x 12B x 19H INCH



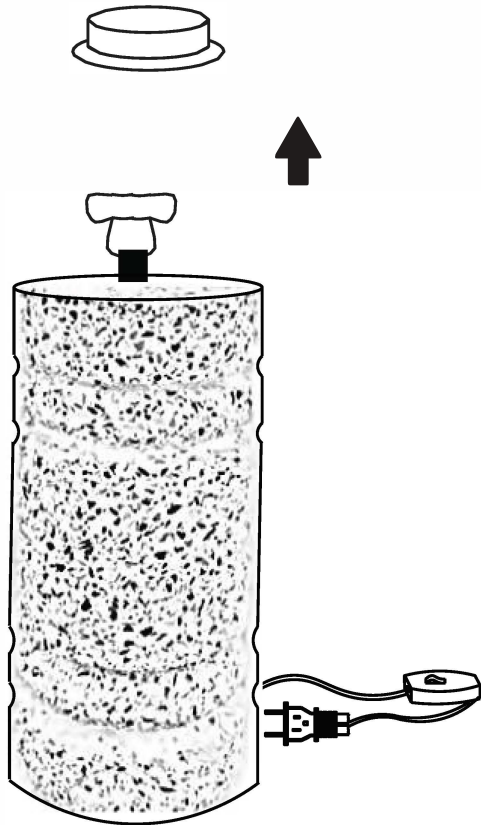
KEEP THIS BAG AWAY FROM BABIES AND CHILDREN.
DO NOT USE IN CRIBS, BEDS, CARRIAGES, OR
PLAYPENS. THE THIN FILM MAY CLING TO NOSE AND
MOUTH AND PREVENT BREATHING.

CAUTION : TO REDUCE THE RISK OF FIRE, USE **MAX**
40 WATT TYPE A  BULB.

CAUTION : TO REDUCE THE RISK OF FIRE, USE **MAX**
25 WATT TYPE A  BULB.

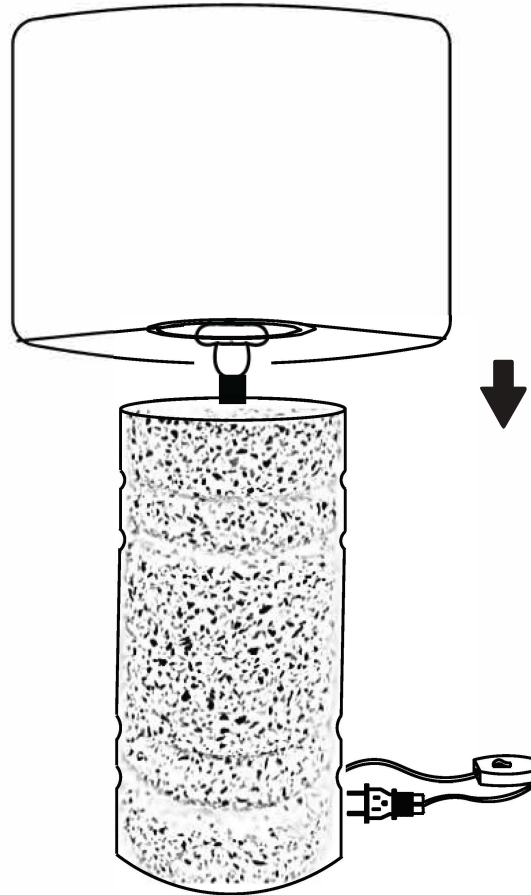
PREPARATION

- * Before beginning assembly of the product, make sure all parts are present. Compare parts with part contents list and hardware contents list.
- * If any part is missing or damaged, do not attempt to assemble the product.
- * Estimated Assemble Time: 10 minutes.
- * If you're having any difficulty, our friendly Customer Care team is always here to help.



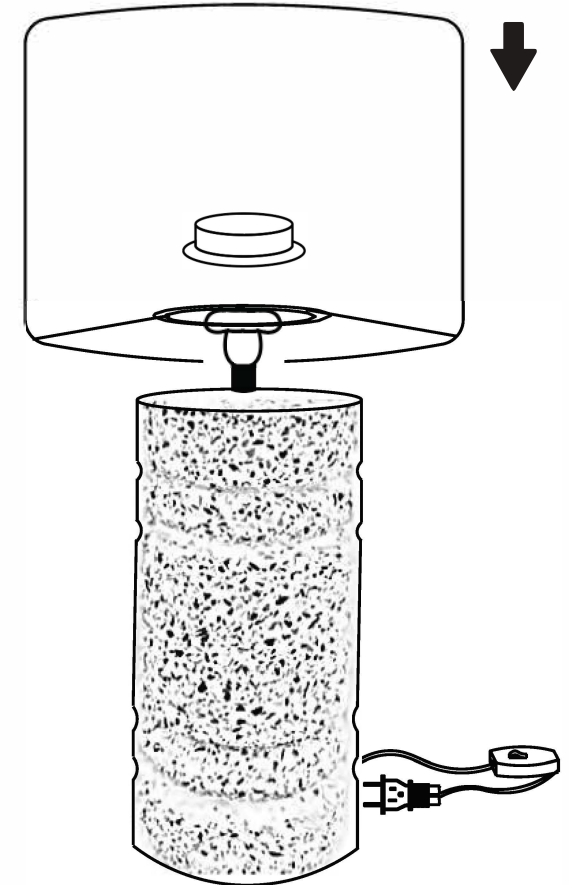
STEP-1

Unscrew the holder cap from the base of the lamp



STEP-2

After removing the holder cap put the shade on holder



STEP-3

Screw back the holder cap on the holder sandwiching the shade in between. and connect the cable to the switchboard.