

# ASSEMBLY INSTRUCTIONS



*Fine Furniture for every stage of life*

**Vanity Table**

# ASSEMBLY INSTRUCTIONS

## ASSEMBLY TIPS:

1. Remove hardware from box and sort by size.
2. Please check to see that all hardware and parts are present prior to start of assembly.
3. Please follow attached instructions in the same sequence as numbered to assure fast & easy assembly.



### WARNING!

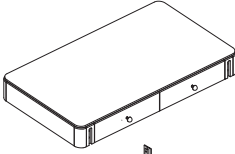





1. Don't attempt to repair or modify parts that are broken or defective. Please contact the store immediately.
2. This product is for home use only and not intended for commercial establishments.








ASSEMBLY TIME

15 MINUTES

## PART IDENTIFICATION

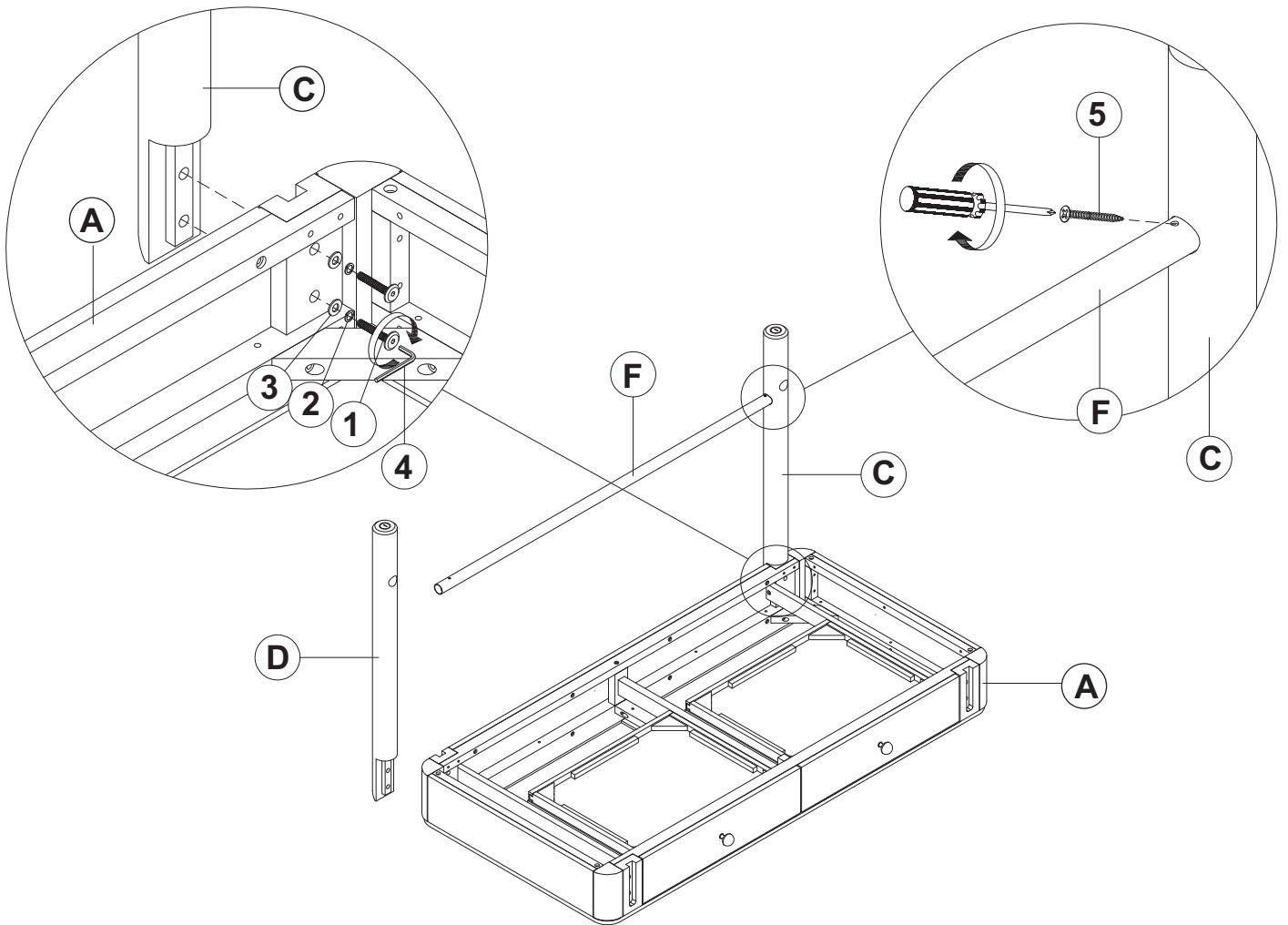
A	TABLE		1PC
B	FRONT LEG		2PCS
C	LEFT BACK LEG		1PC
D	RIGHT BACK LEG		1PC
E	SHORT METAL STRETCHER		2PCS
F	LONG METAL STRETCHER		1PC

## HARDWARE IDENTIFICATION

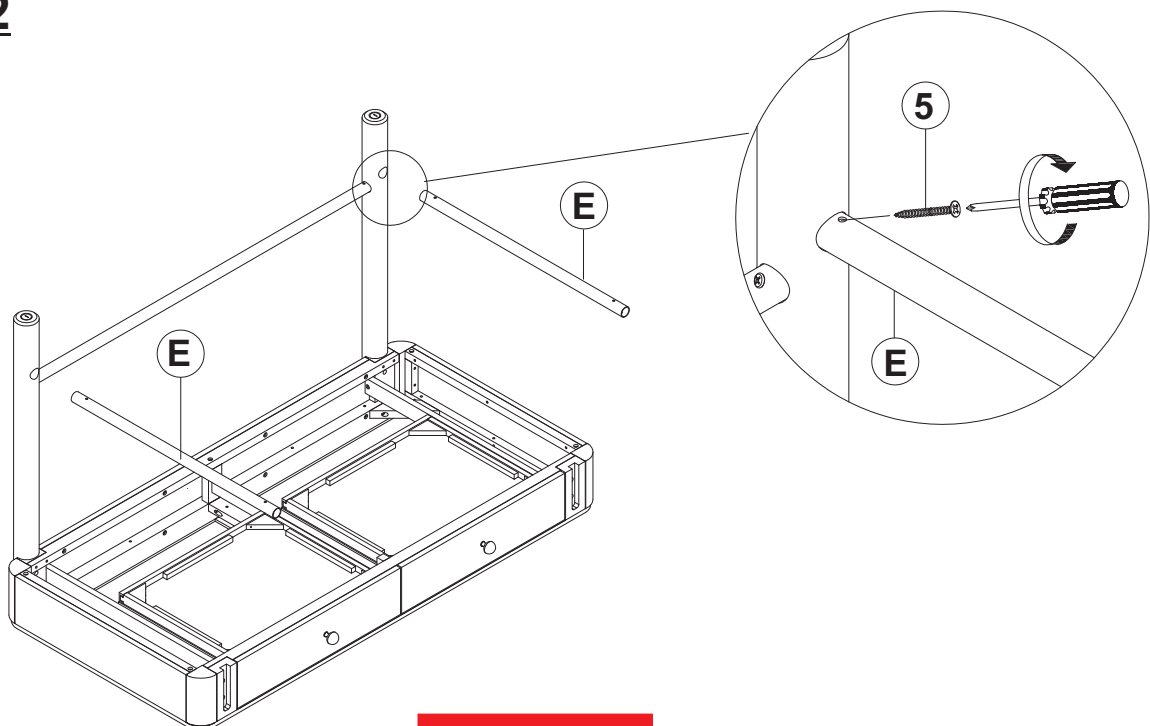
1	<b>BOLT</b> (M6 x 35mm - BLK)		8PCS
2	<b>LOCK WASHER</b> (1.6 x 14mm - BLK)		8PCS
3	<b>FLAT WASHER</b> (1 x 18mm - BLK)		8PCS
4	<b>ALLEN WRENCH</b> (M4 x 65mm - BLK)		1PC
5	<b>FLAT HEAD SCREW</b> (8 x 2" - BLK)		6PCS

# ASSEMBLY INSTRUCTIONS

## STEP 1

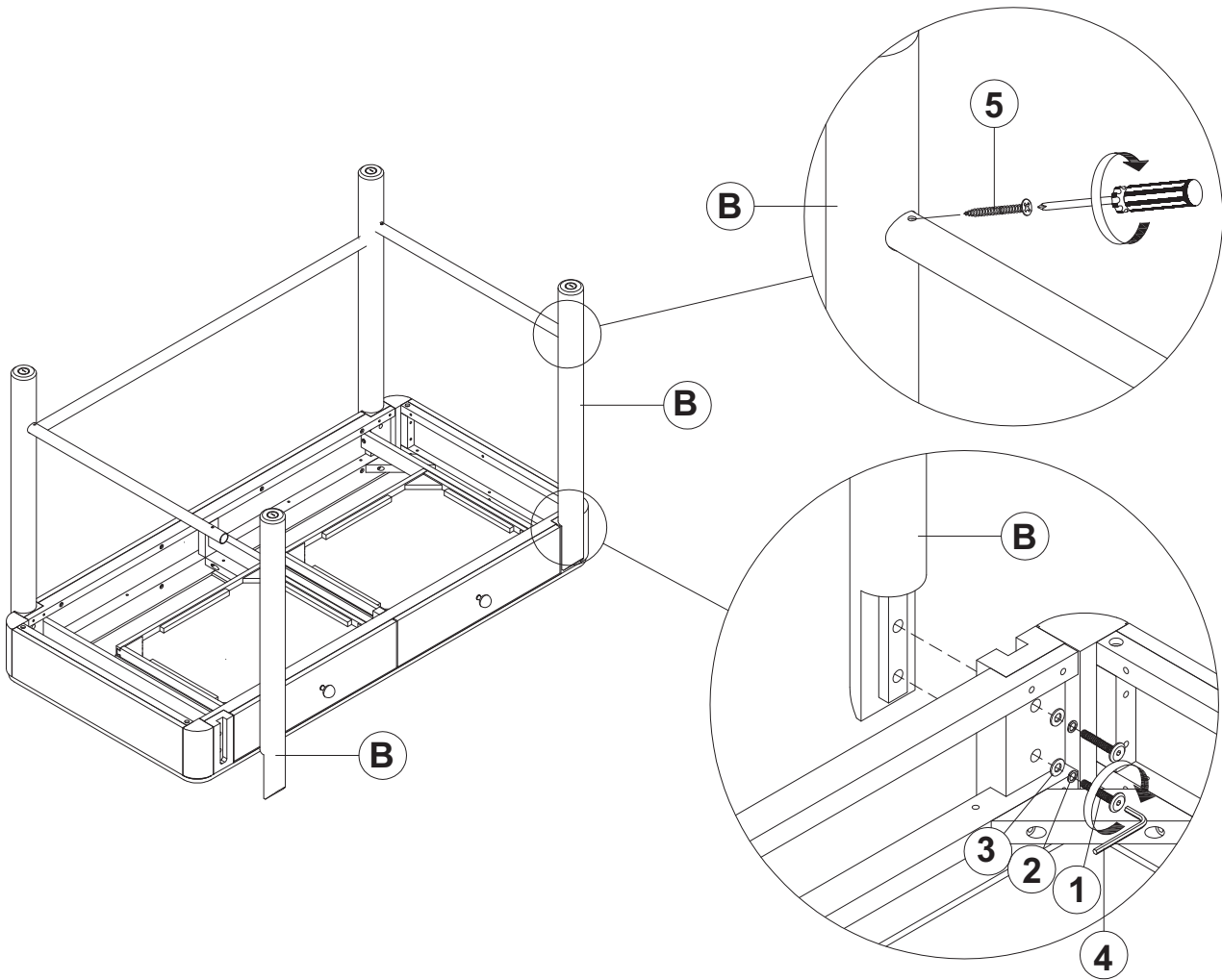


## STEP 2

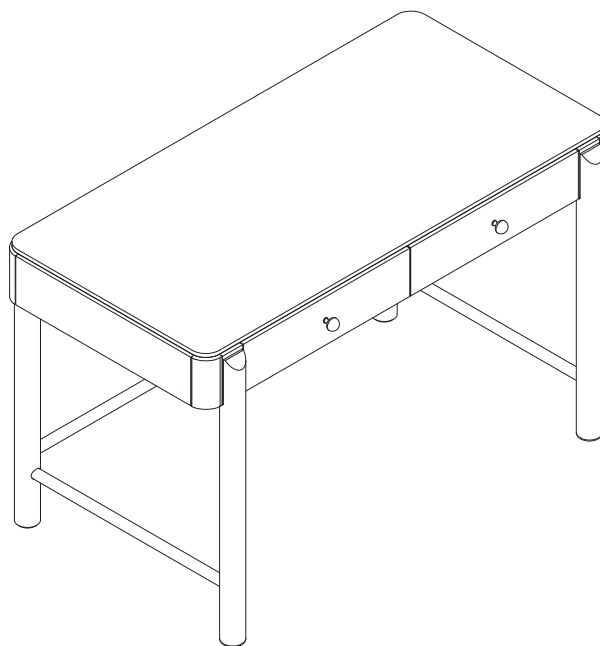


# ASSEMBLY INSTRUCTIONS

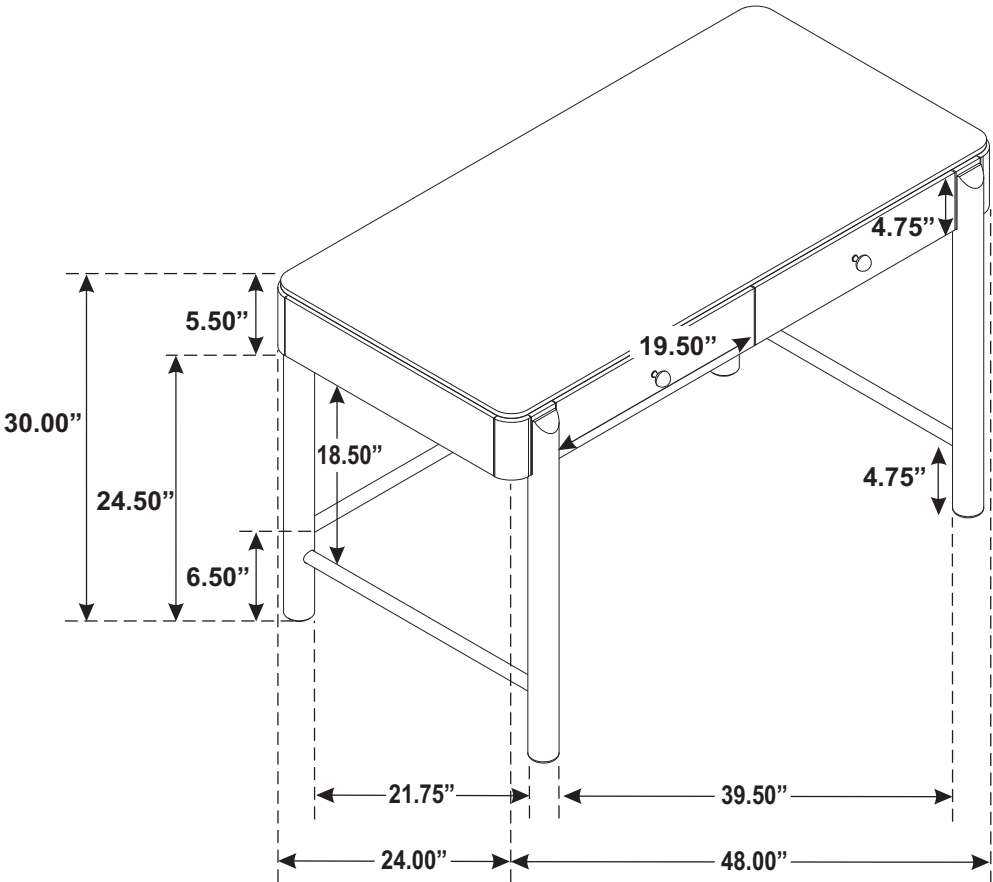
## STEP 3



## STEP 4 **COMPLETE**



**Inner Size of Drawer : 16.50"W x 13.75"D x 2.00"H x 0.50"T**



**Note: Dimension tolerance  $\pm 5\%$**