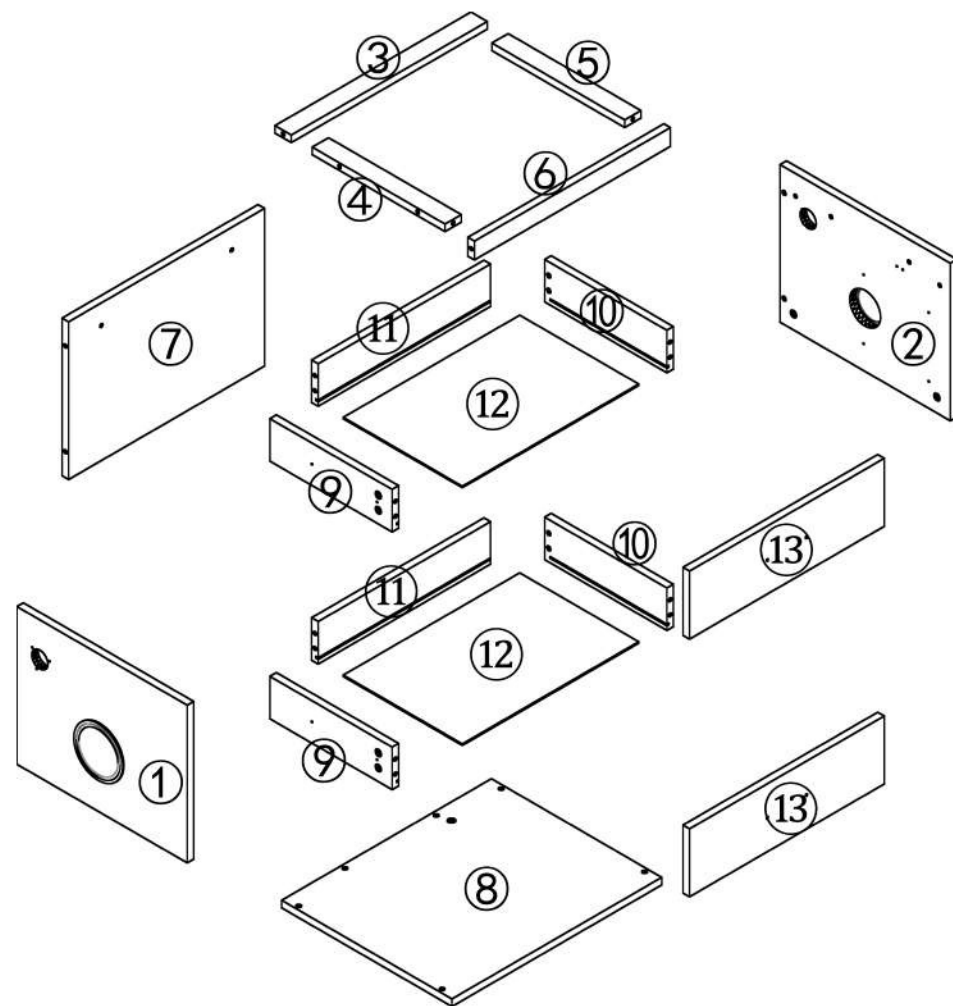
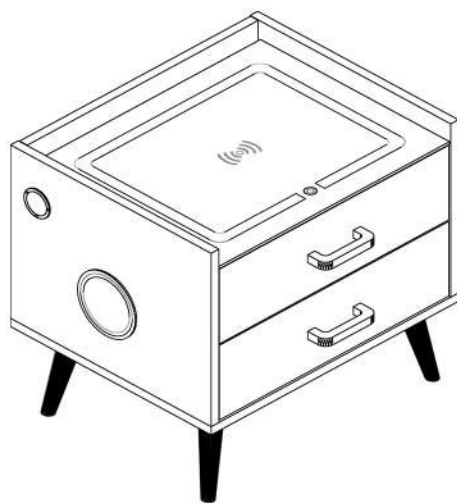


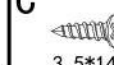
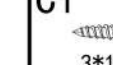
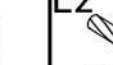

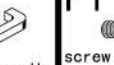







ASSEMBLY INSTRUCTION

- Please follow the instructions to assemble the items correctly.
- Please ensure the safety of the glass when assembling.
- Do not make the screws too loose or too tight.
- As shown in the figure, Insert the screw into the hole.
The arrow in the picture, Then rotate 90° or 180° clockwise.
- The accessory bag contains some small accessories, which should be kept away from children.
- The remaining parts are spare parts.

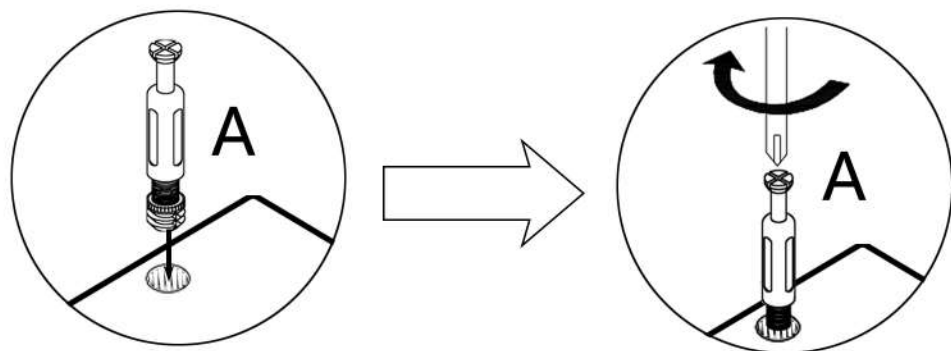


A  3 functions connecting rod 28pcs	B  3 functions nut 28pcs	C  3.5*14 screw 42pcs	C1  3*12 screw 6pcs	E2  stick 10pcs	F  drawer handle 2pcs	F1  screw for drawer handle 4pcs
J  L-type fixed sheet 2pcs	K  drawer slide system 4pcs	AC  Cable Organizer 10pcs	AD  UVglue 1pcs	AE  cabinet leg 4pcs		

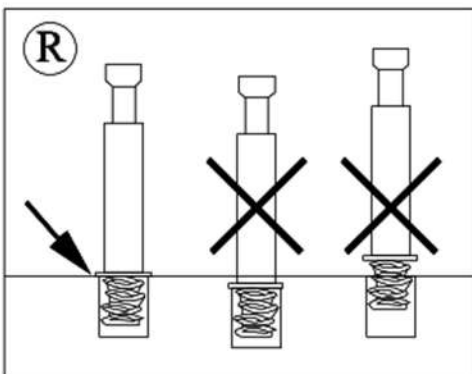
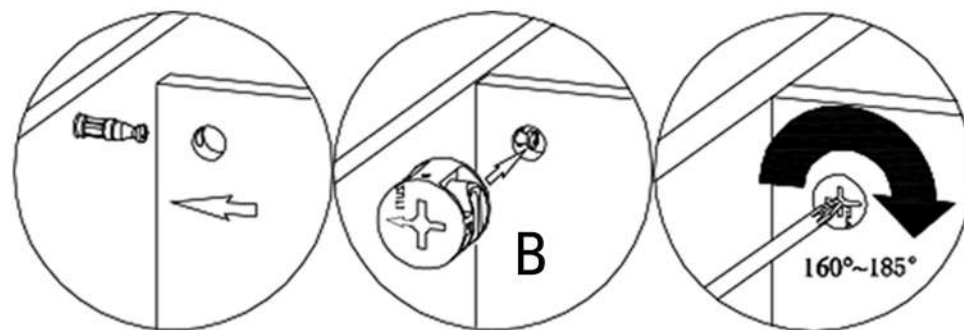


Hardware installation demonstration

● Please make sure "A" hardware tightened and can't be pulled out



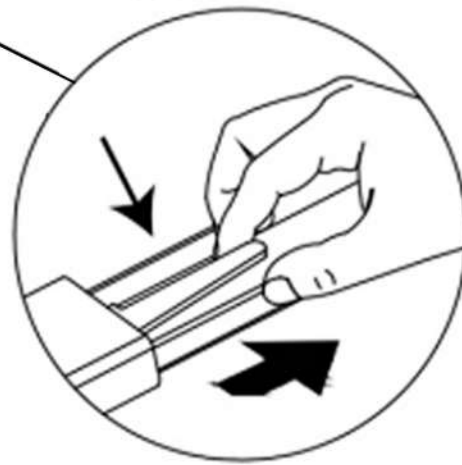
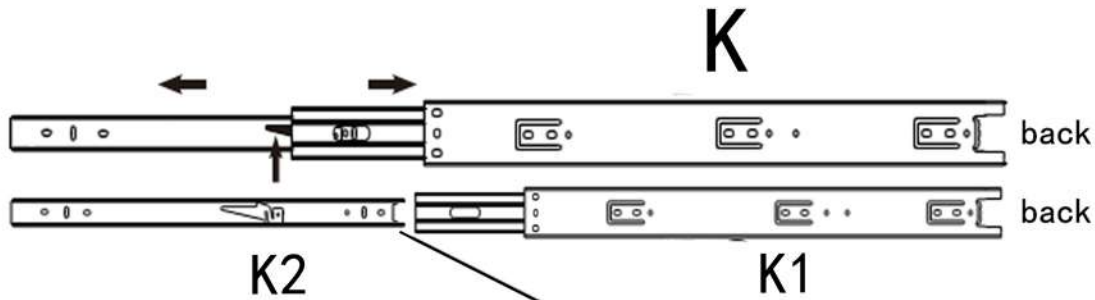
● When inserting cam ensure arrowhead on cam points toward to the hole on the panel edge





Hardware installation demonstration

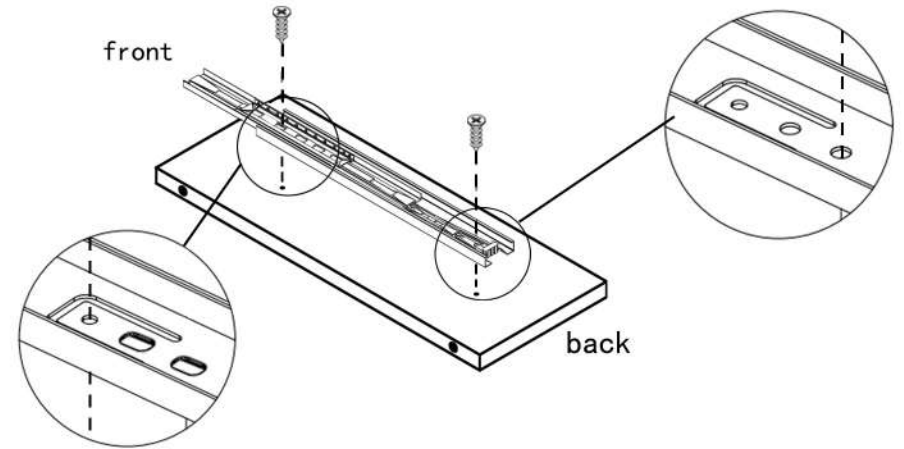
- Before installing the drawer rail, you need to separate the K1 and K2 first.



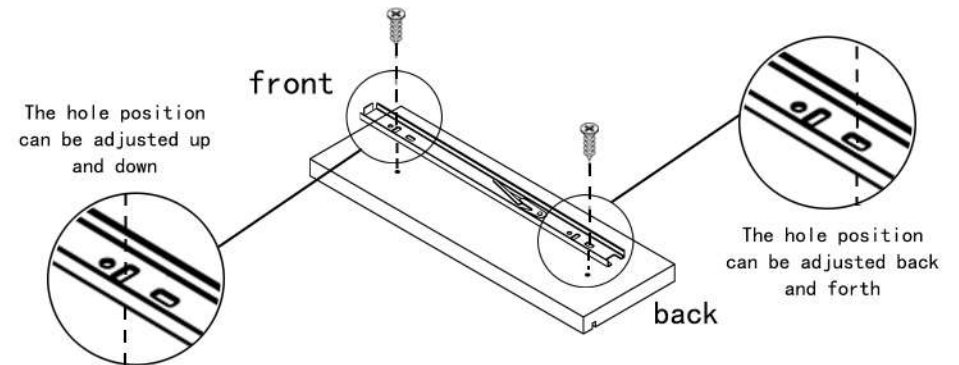
Warm Reminder: Press it and split



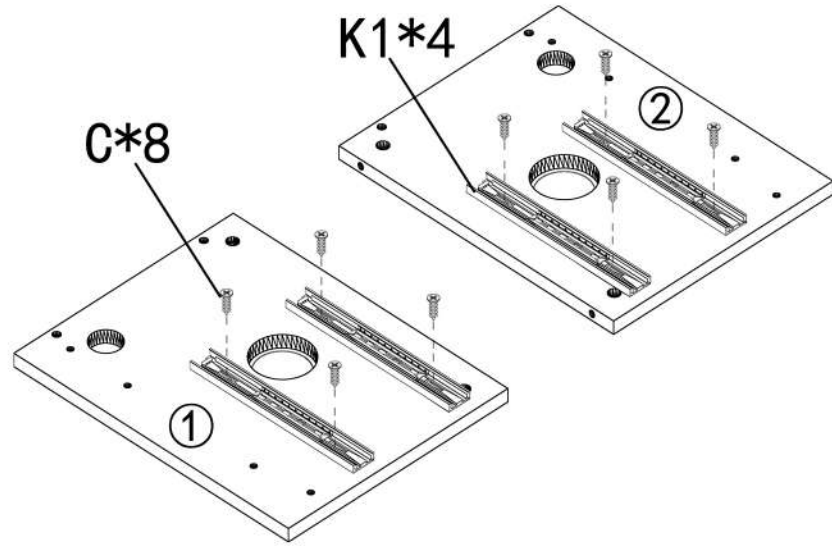
The first screw hole should corresponded with the board location hole



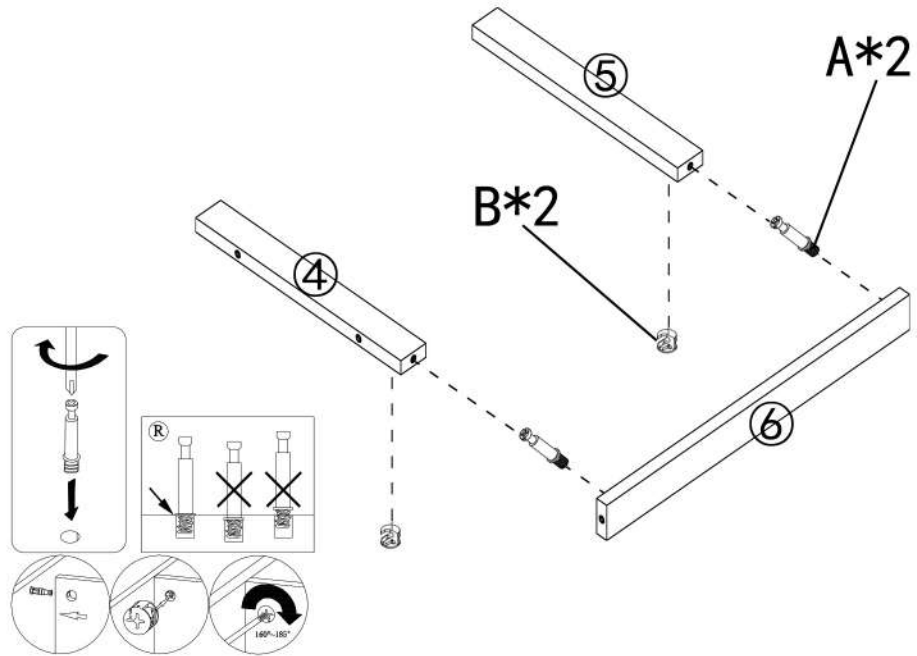
The first screw hole should corresponded with the board location hole



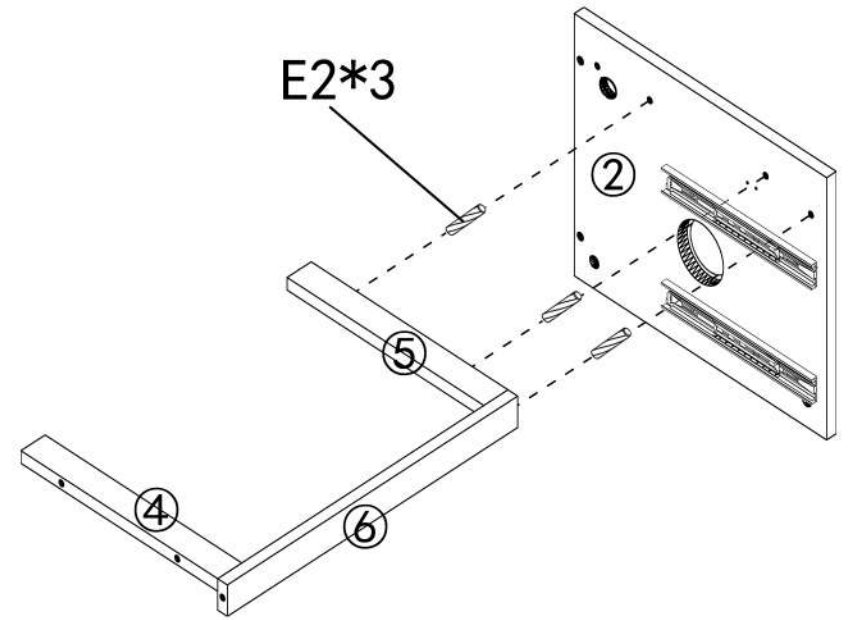
STEP 1



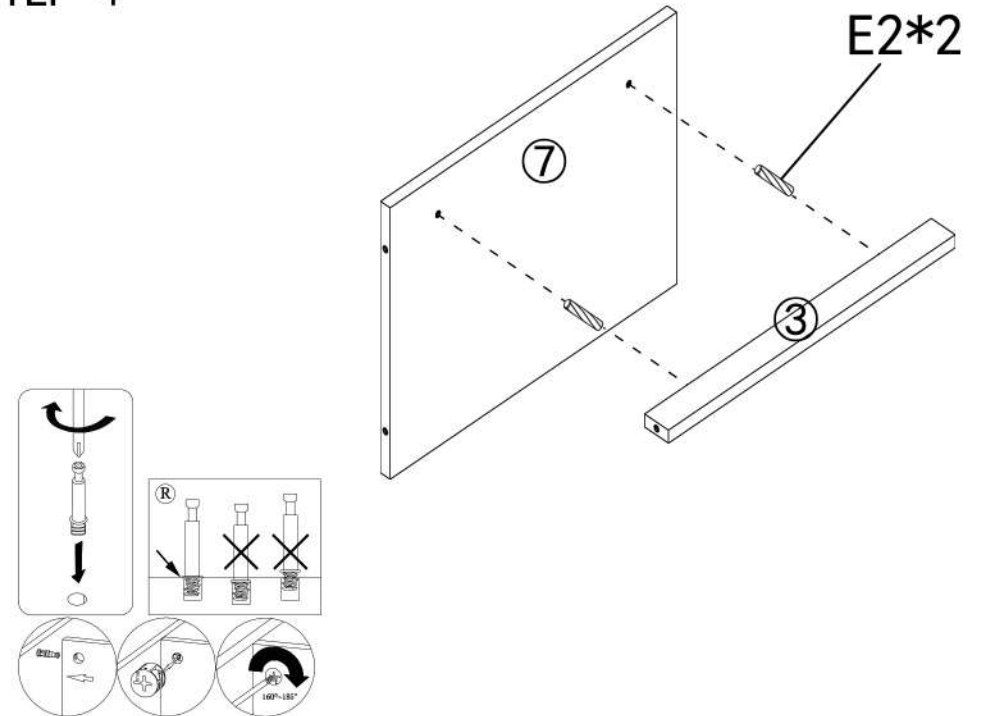
STEP 2



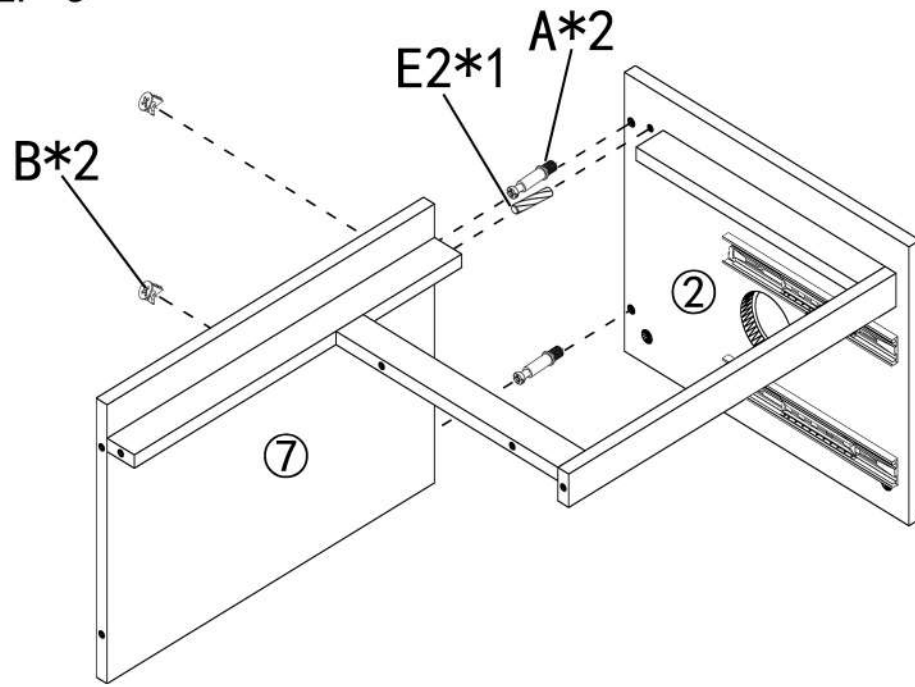
STEP 3



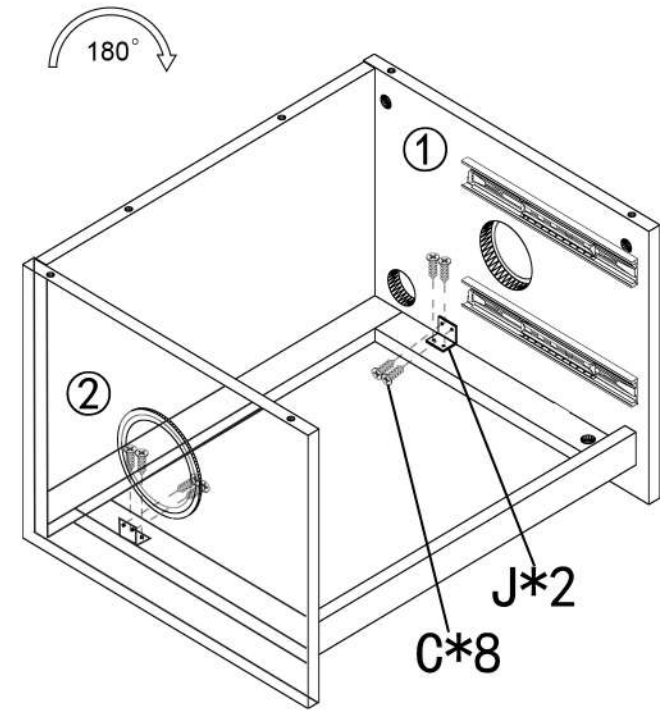
STEP 4



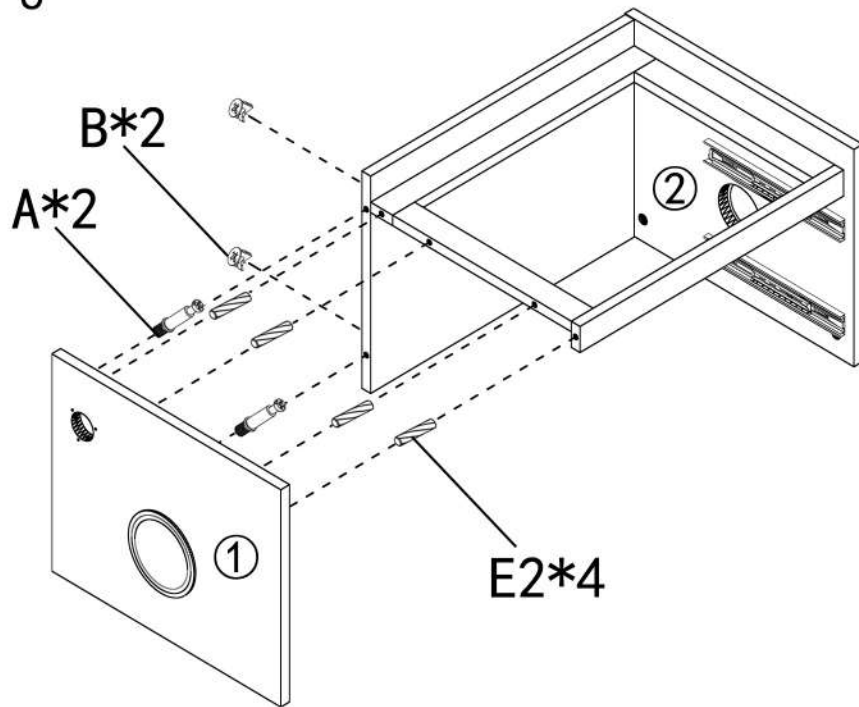
STEP 5



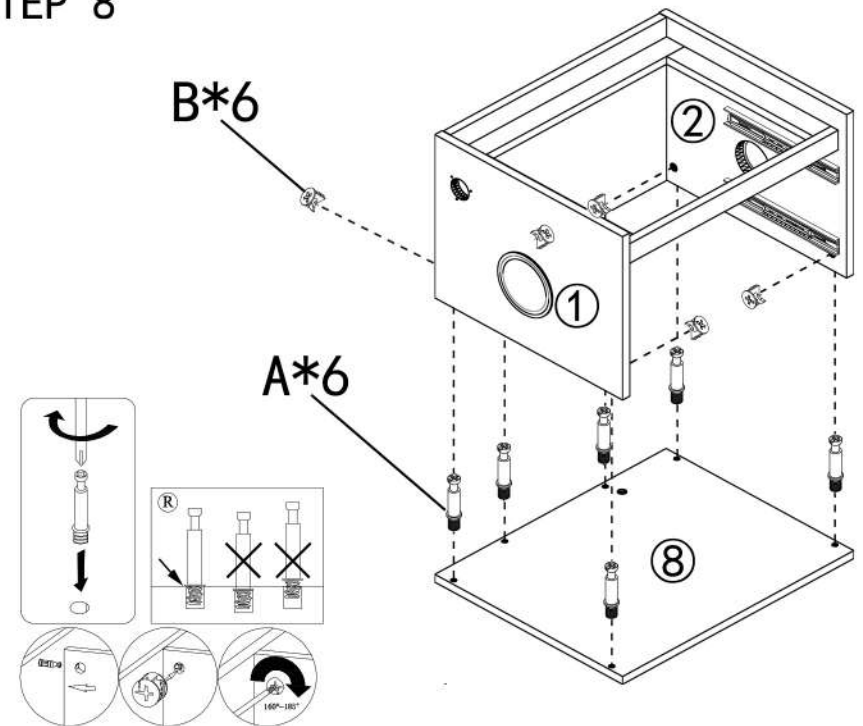
STEP 7



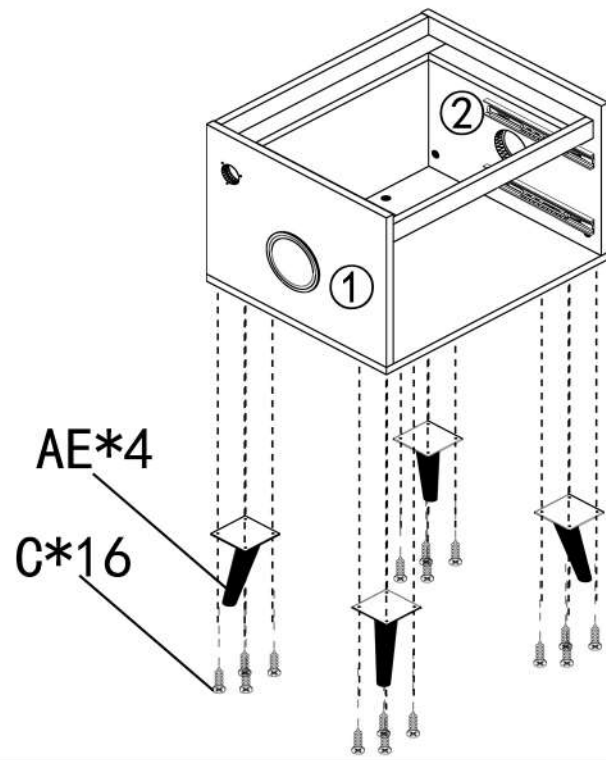
STEP 6



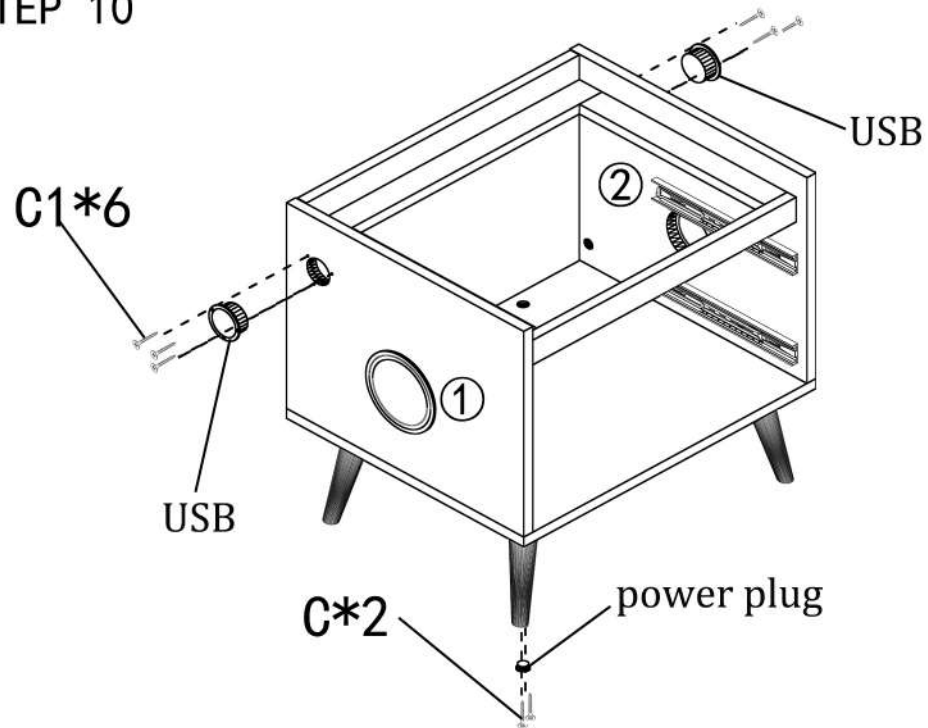
STEP 8



STEP 9

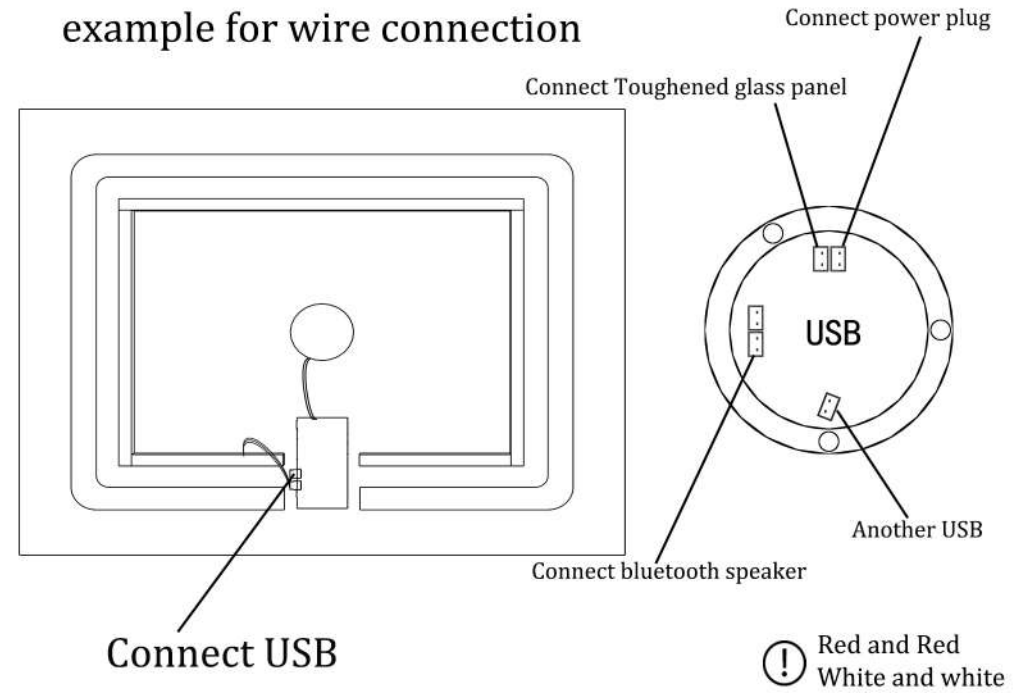


STEP 10

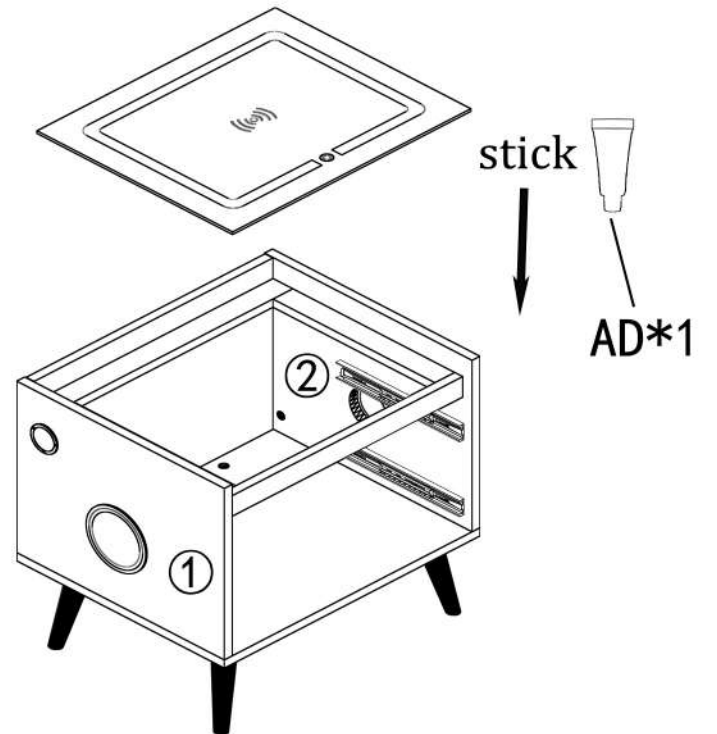


STEP 11

example for wire connection

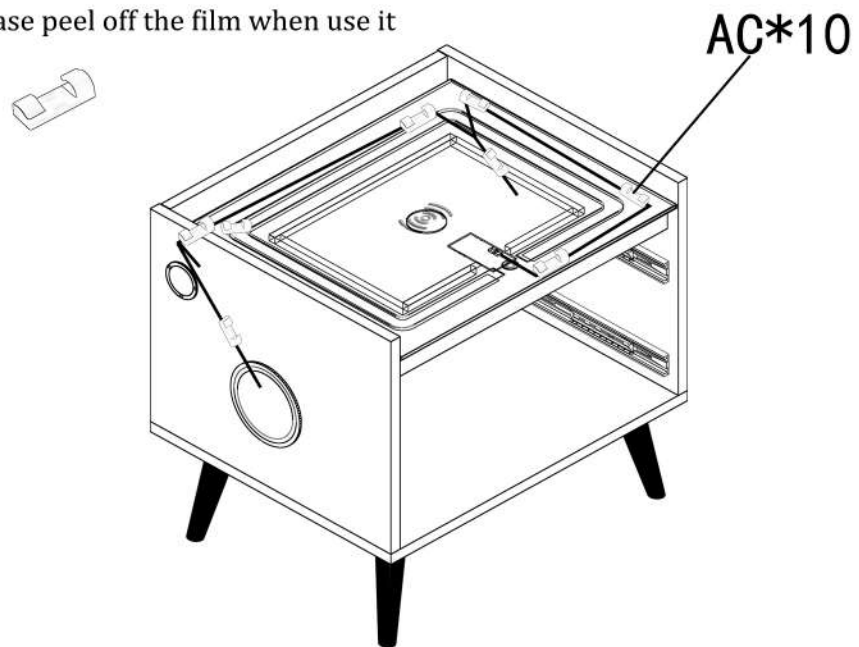


STEP 12

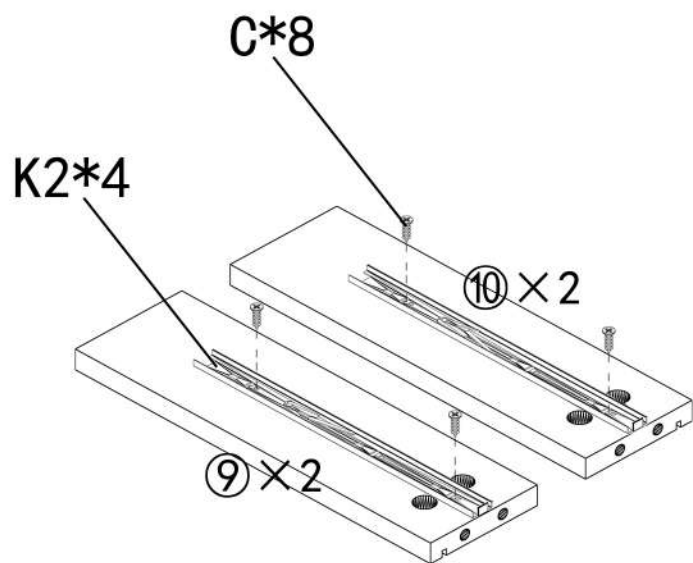


STEP 13

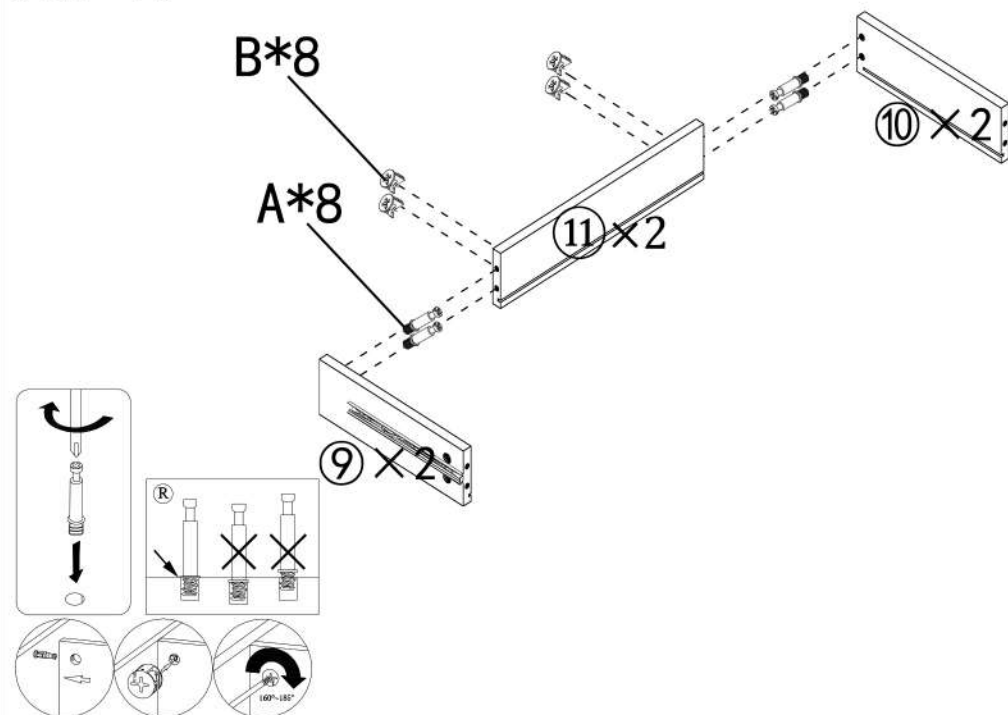
ⓘ please peel off the film when use it



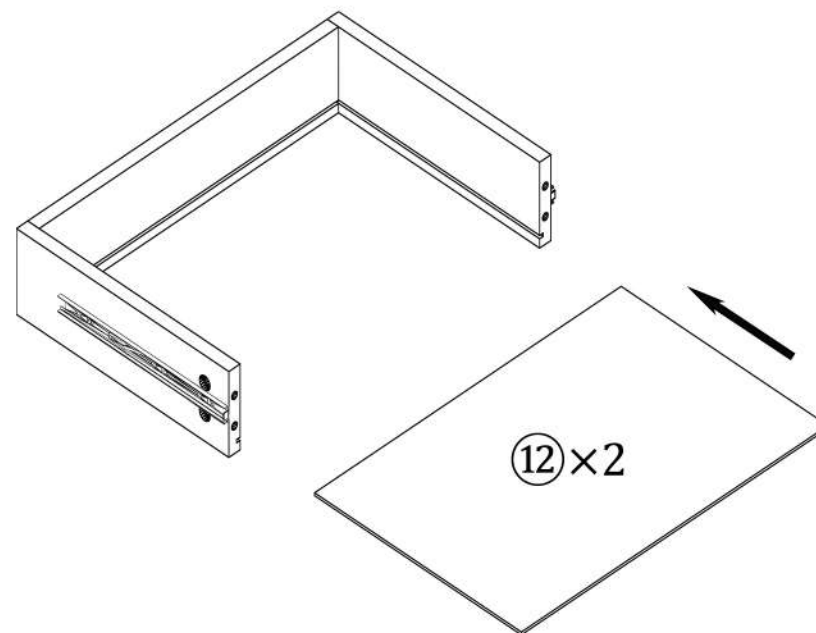
STEP 14



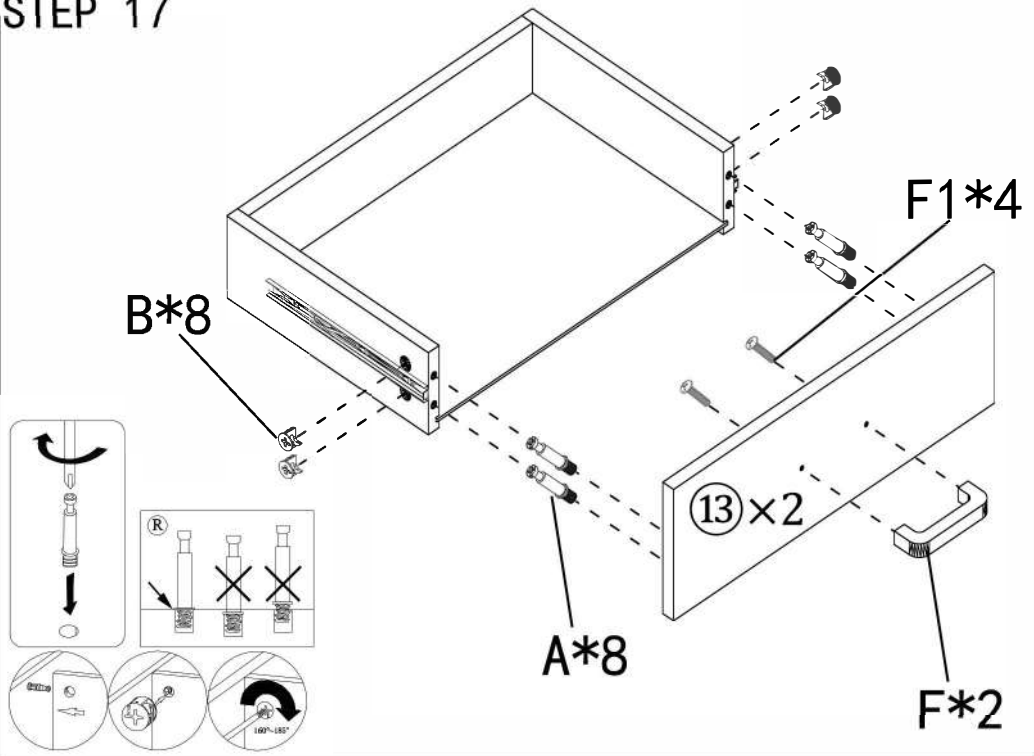
STEP 15



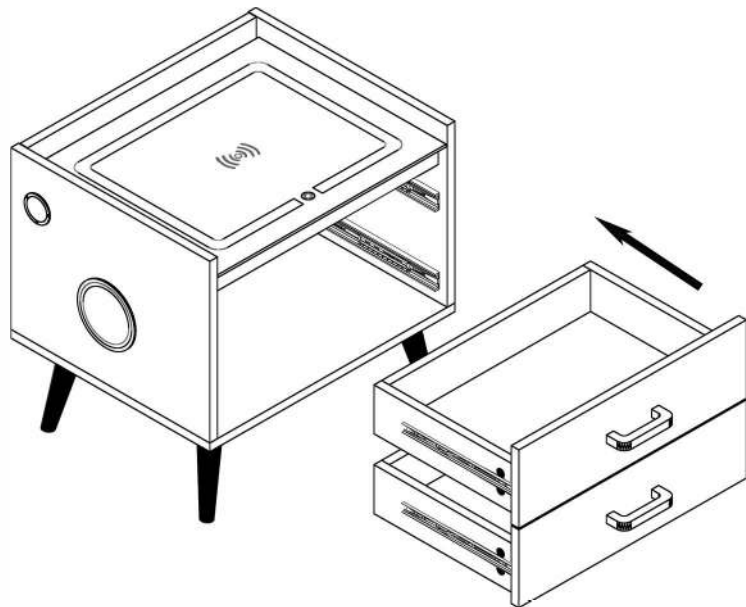
STEP 16



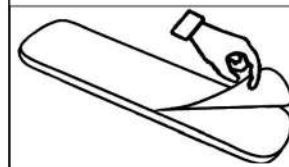
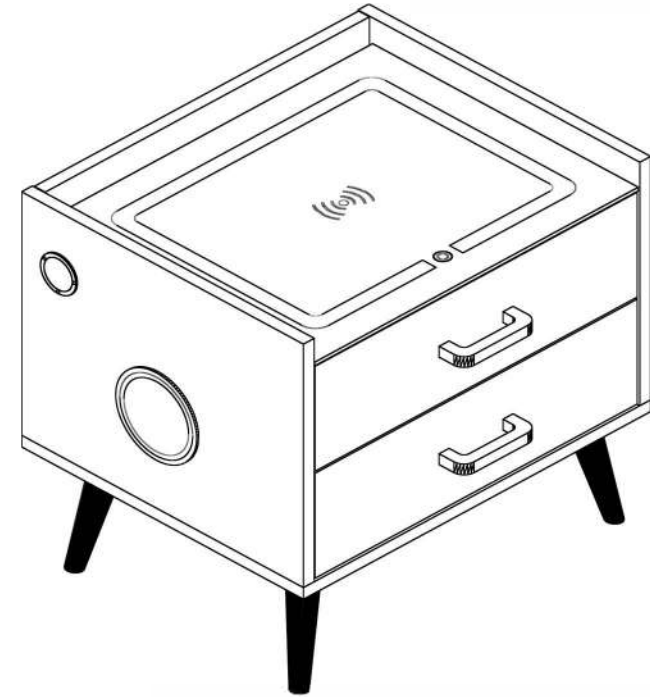
STEP 17



STEP 18



STEP 19



For the high gloss panel,
please peel off the plastic
film after assembling