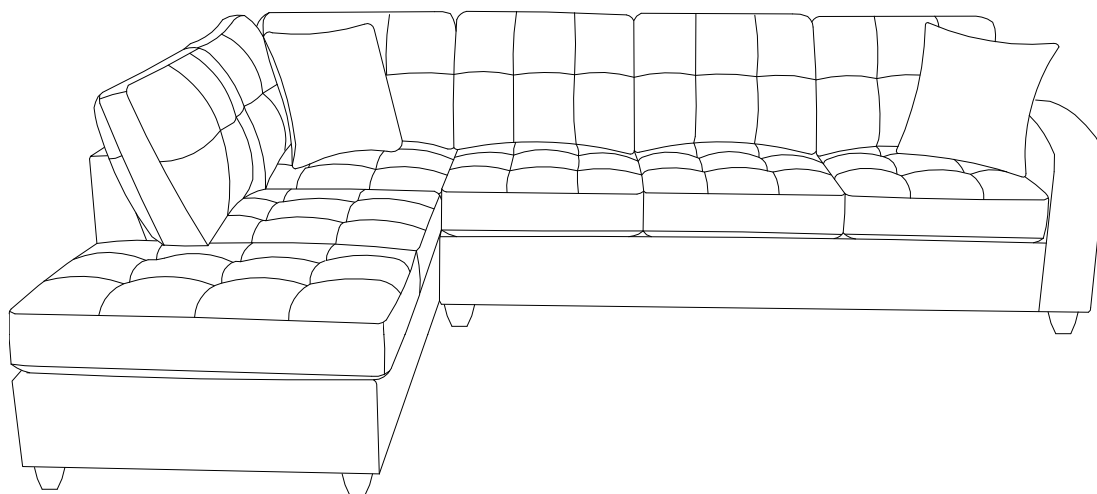


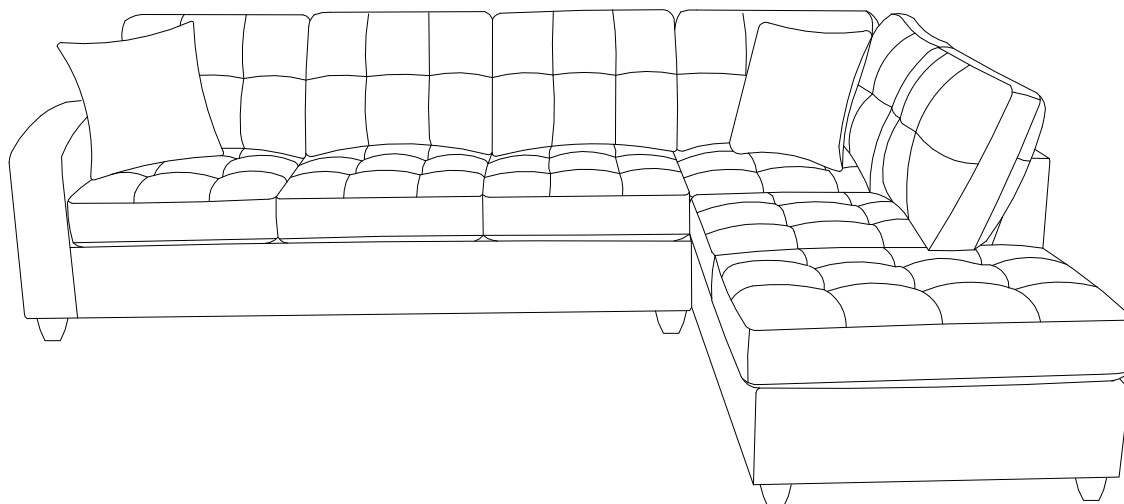
# ASSEMBLY INSTRUCTION REVERSIBLE SECTIONAL

Configuration#1



see page 2~3 for assembly instruction

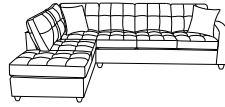
Configuration#2



see page 4~5 for assembly instruction

# SEATER, 1 PILLOW, REVERSIBLE

## Configuration#1



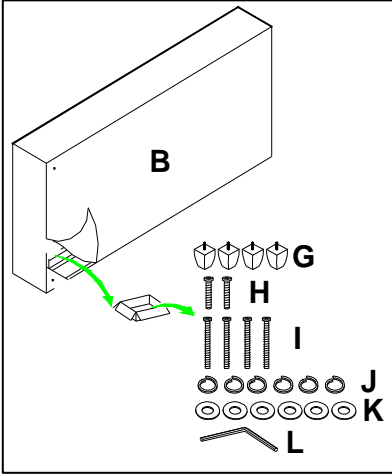
### COMPONENT LIST

NO.	DRAWING	QTY	DESCRIPTION
A		1	BACK FRAME
B		1	SEAT FRAME
C		1	ARM FRAME
D		3	BACK CUSHION
E		3	SEAT CUSHION
F		1	PILLOW
G		4	LEG
H		2	BOLT
I		4	BOLT
J		6	LOCK WASHER
K		6	FLAT WASHER
L		1	ALLEN KEY

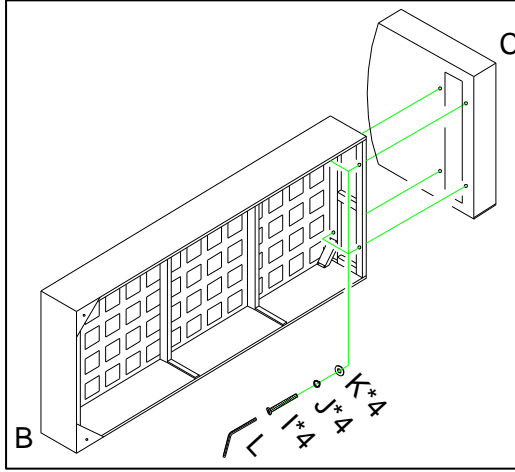
Please follow the drawings below to assemble the item.

Legs and hardware are stored at the bottom of seat as shown in drawing, please take out for assembly.

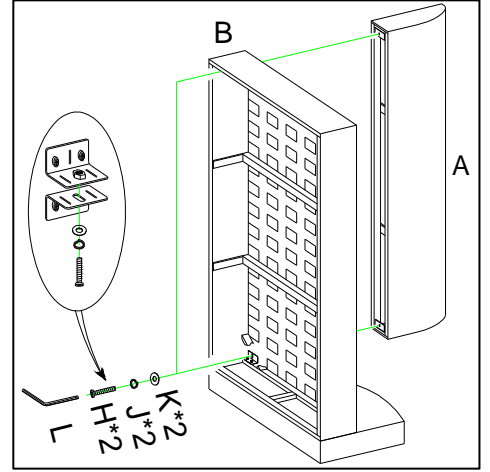
**Step 1**



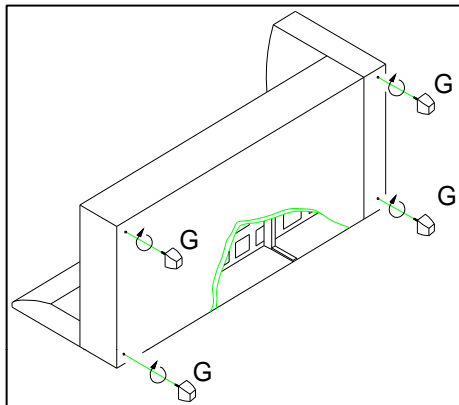
**Step 2**



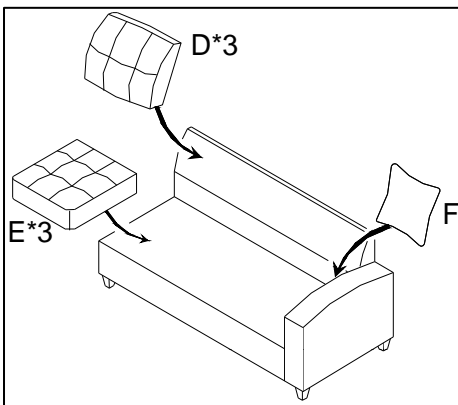
**Step 3**



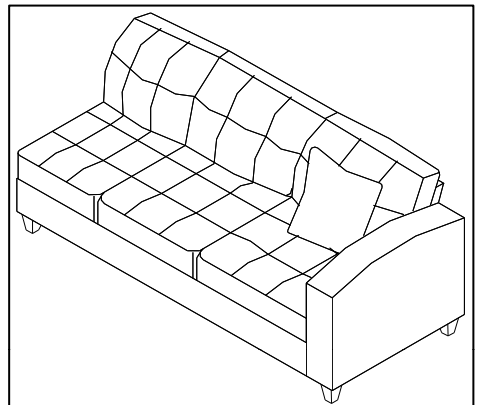
**Step 4**



**Step 5**

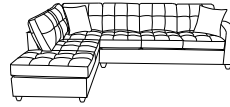


**Step 6**



# CHAISE, 1 PILLOW, REVERSIBLE

## Configuration#1



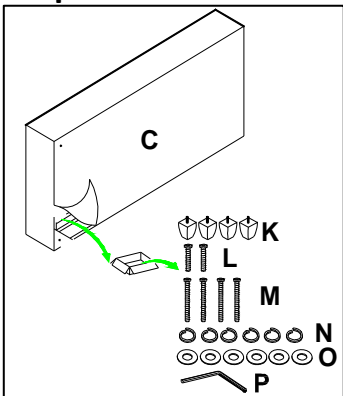
### COMPONENT LIST

NO.	DRAWING	QTY	DESCRIPTION
A		1	BACK FRAME
B		1	ARM FRAME
C		1	SEAT FRAME
D		1	LSF BACK CUSHION
E		1	RSF BACK CUSHION
F		1	CORNER BACK CUSHION
G		1	LARGE SEAT CUSHION
H		1	MIDDLE SEAT CUSHION
I		1	CORNER SEAT CUSHION
J		1	PILLOW
K		4	LEG
L		2	BOLT
M		4	BOLT
N		6	LOCK WASHER
O		6	FLAT WASHER
P		1	ALLEN KEY

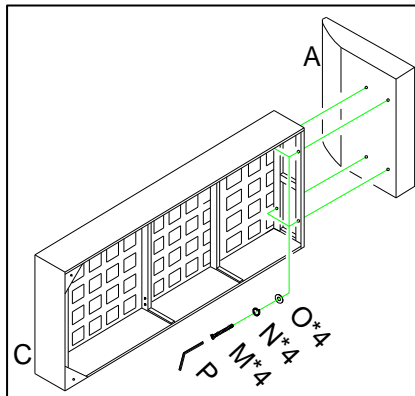
Please follow the drawings below to assemble the item.

Legs and hardware are stored at the bottom of seat as shown in drawing, please take out for assembly.

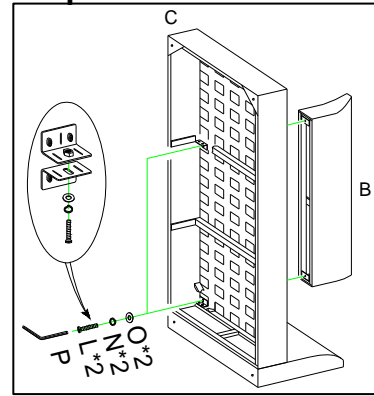
**Step 1**



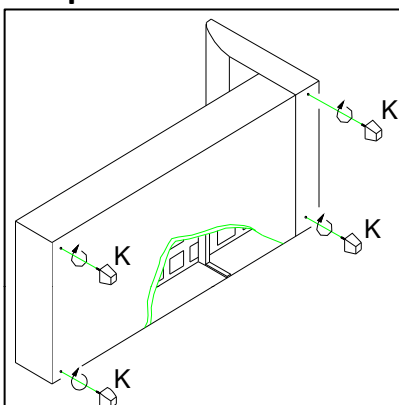
**Step 2**



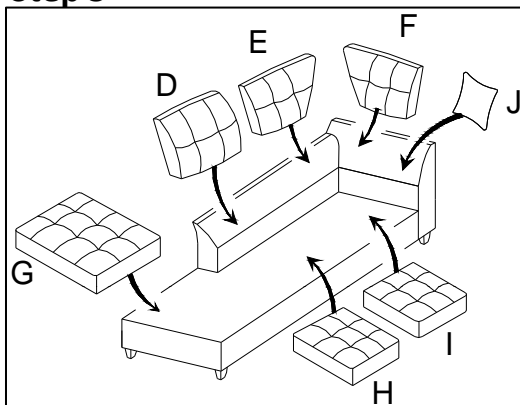
**Step 3**



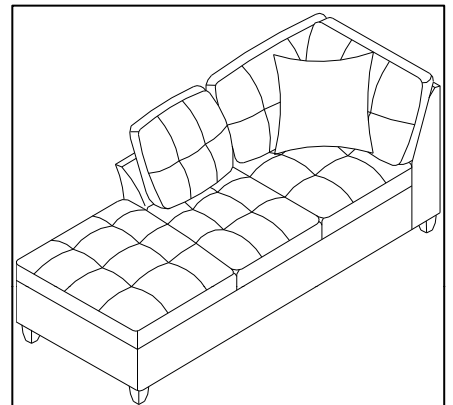
**Step 4**



**Step 5**

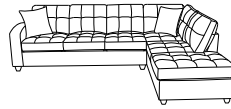


**Step 6**



# SEATER, 1 PILLOW, REVERSIBLE

## Configuration#2



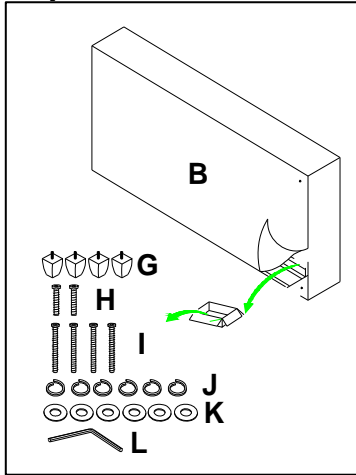
### COMPONENT LIST

NO.	DRAWING	QTY	DESCRIPTION
A		1	BACK FRAME
B		1	SEAT FRAME
C		1	ARM FRAME
D		3	BACK CUSHION
E		3	SEAT CUSHION
F		1	PILLOW
G		4	LEG
H		2	BOLT
I		4	BOLT
J		6	LOCK WASHER
K		6	FLAT WASHER
L		1	ALLEN KEY

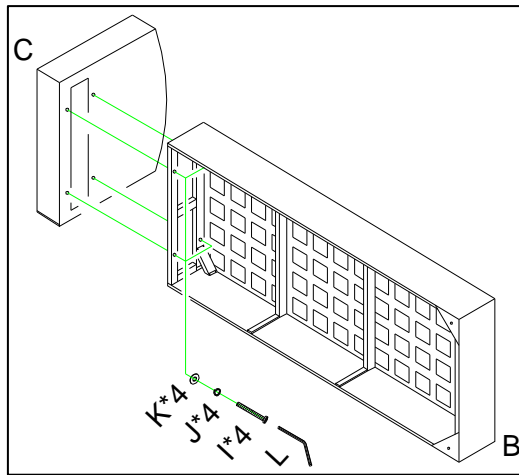
Please follow the drawings below to assemble the item.

Legs and hardware are stored at the bottom of seat as shown in drawing, please take out for assembly.

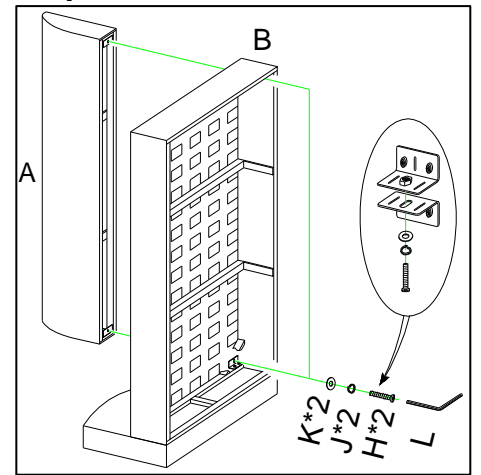
#### Step 1



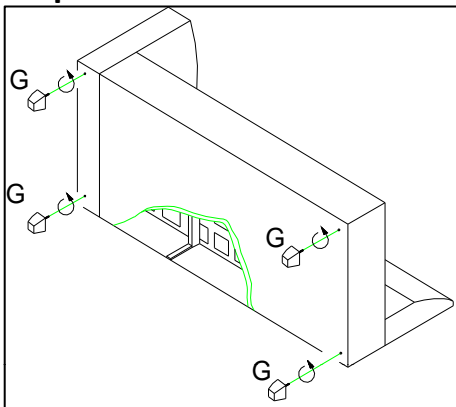
#### Step 2



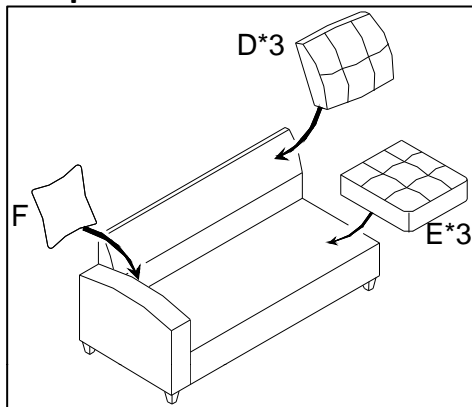
#### Step 3



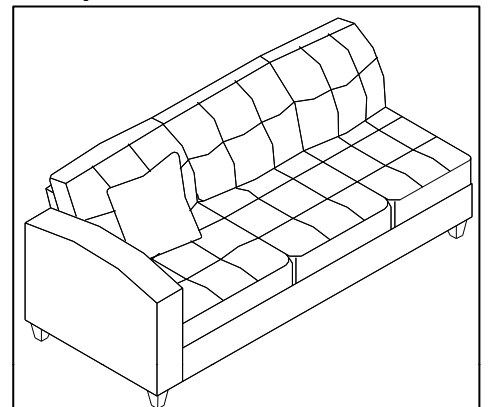
#### Step 4



#### Step 5

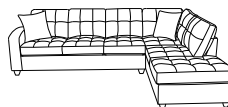


#### Step 6



# CHAISE, 1 PILLOW, REVERSIBLE

## Configuration#2



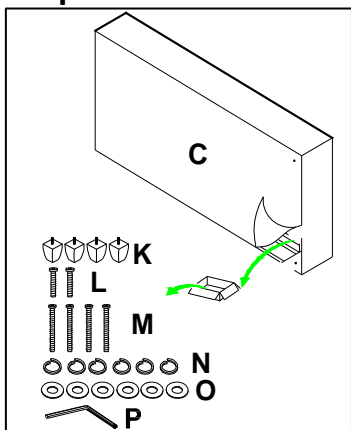
### COMPONENT LIST

NO.	DRAWING	QTY	DESCRIPTION
A		1	BACK FRAME
B		1	ARM FRAME
C		1	SEAT FRAME
D		1	LSF BACK CUSHION
E		1	RSF BACK CUSHION
F		1	CORNER BACK CUSHION
G		1	LARGE SEAT CUSHION
H		1	MIDDLE SEAT CUSHION
I		1	CORNER SEAT CUSHION
J		1	PILLOW
K		4	LEG
L		2	BOLT
M		4	BOLT
N		6	LOCK WASHER
O		6	FLAT WASHER
P		1	ALLEN KEY

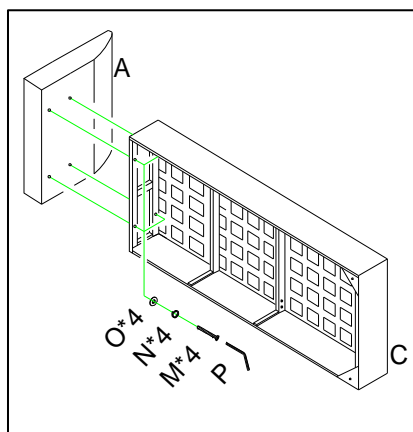
Please follow the drawings below to assemble the item.

Legs and hardware are stored at the bottom of seat as shown in drawing, please take out for assembly.

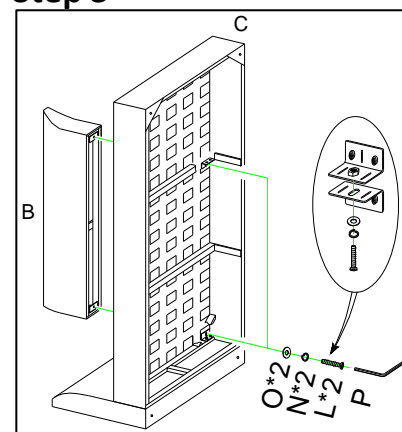
**Step 1**



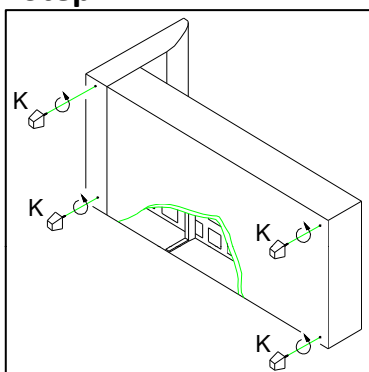
**Step 2**



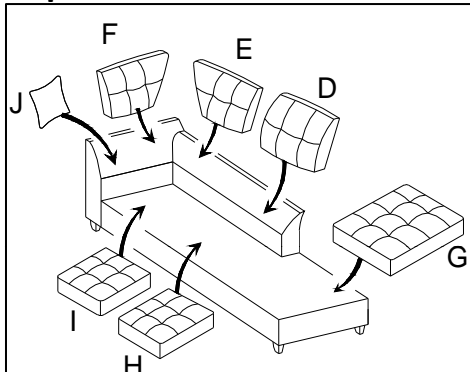
**Step 3**



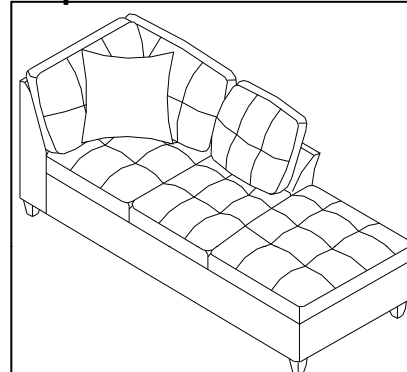
**Step 4**



**Step 5**



**Step 6**



## **CARE INSTRUCTION FOR 100% POLYESTER FURNITURE:**

**In order to maintain the original appearance of your 100% polyester furniture, please follow below care procedures:**

- **Avoid exposing furniture directly to sunlight or heating and air conditioning outlets. Sunlight and / or exposure to heating and air conditioning outlets will fade/damage 100% polyester. Do not place your upholstered furniture too close to windows, radiators, or vents, and be sure to use window treatments to block the sun's rays.**
- **Wipe with a soft brush to remove dust.**
- **Wipe 100% polyester with professional cleanser.**




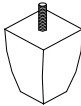
**For items use on wooden floor, hard surfaces or carpets, it is recommended to Install protective pads under all legs and supports to avoid/prevent from damages/scratches and discoloration.**

# ASSEMBLY INSTRUCTION

## OTTOMAN

**NOTE: Do not use power tools for assembly. Power tools increase the risk of over tightening which lead to splitting or cracking the wood.**

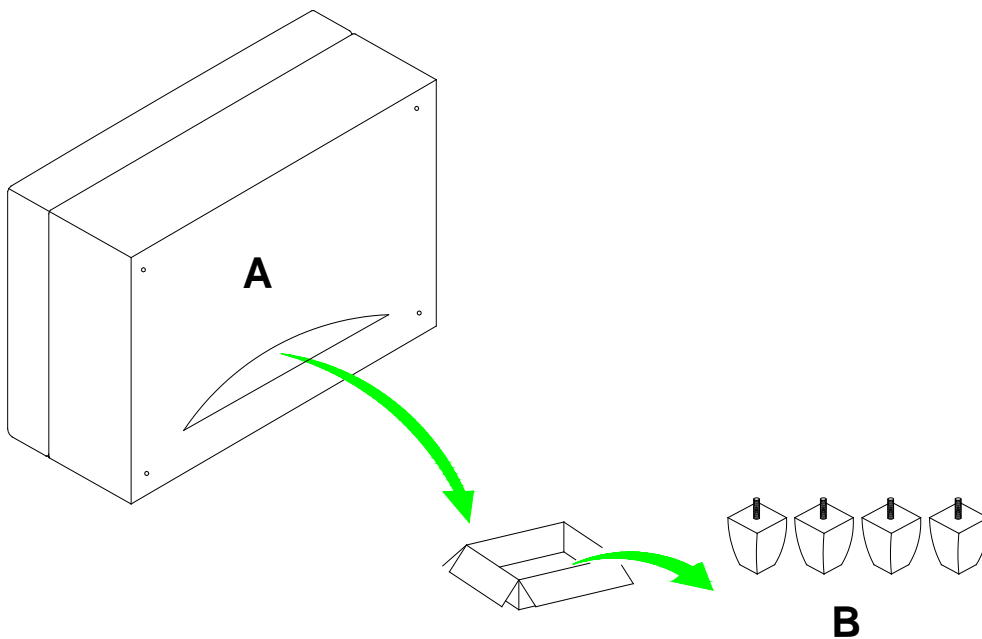
### COMPONENT LIST

NO.	DRAWING	QTY	DESCRIPTION
A		1	OTTOMAN
B		4	LEG

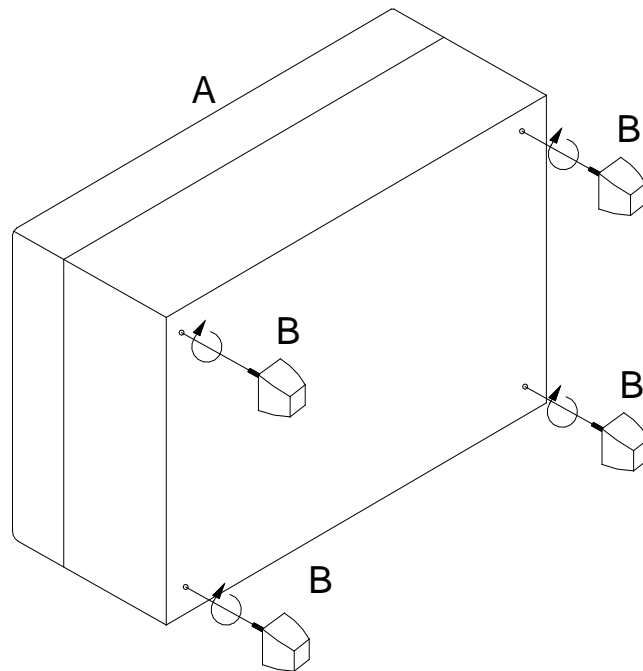
Please follow the drawings below to assemble the item.

Legs are stored in the box and put in the bottom of ottoman. Please take out for assembly.

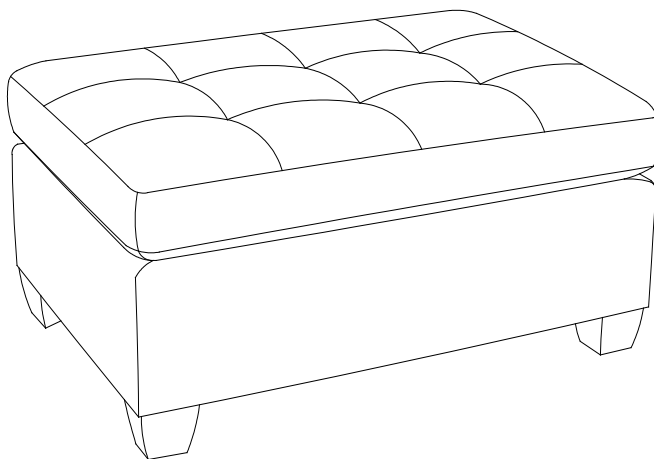
### Step 1



## Step 2



**Completed.**



## CARE INSTRUCTION FOR 100% POLYESTER FURNITURE:

In order to maintain the original appearance of your 100% polyester furniture, please follow below care procedures:

- Avoid exposing furniture directly to sunlight or heating and air conditioning outlets. Sunlight and / or exposure to heating and air conditioning outlets will fade/damage 100% polyester. Do not place your upholstered furniture too close to windows, radiators, or vents, and be sure to use window treatments to block the sun's rays.
- Wipe with a soft brush to remove dust.
- Wipe 100% polyester with professional cleanser.



For items use on wooden floor, hard surfaces or carpets, it is recommended to install protective pads under all legs and supports to avoid/prevent from damages/scratches and discoloration.