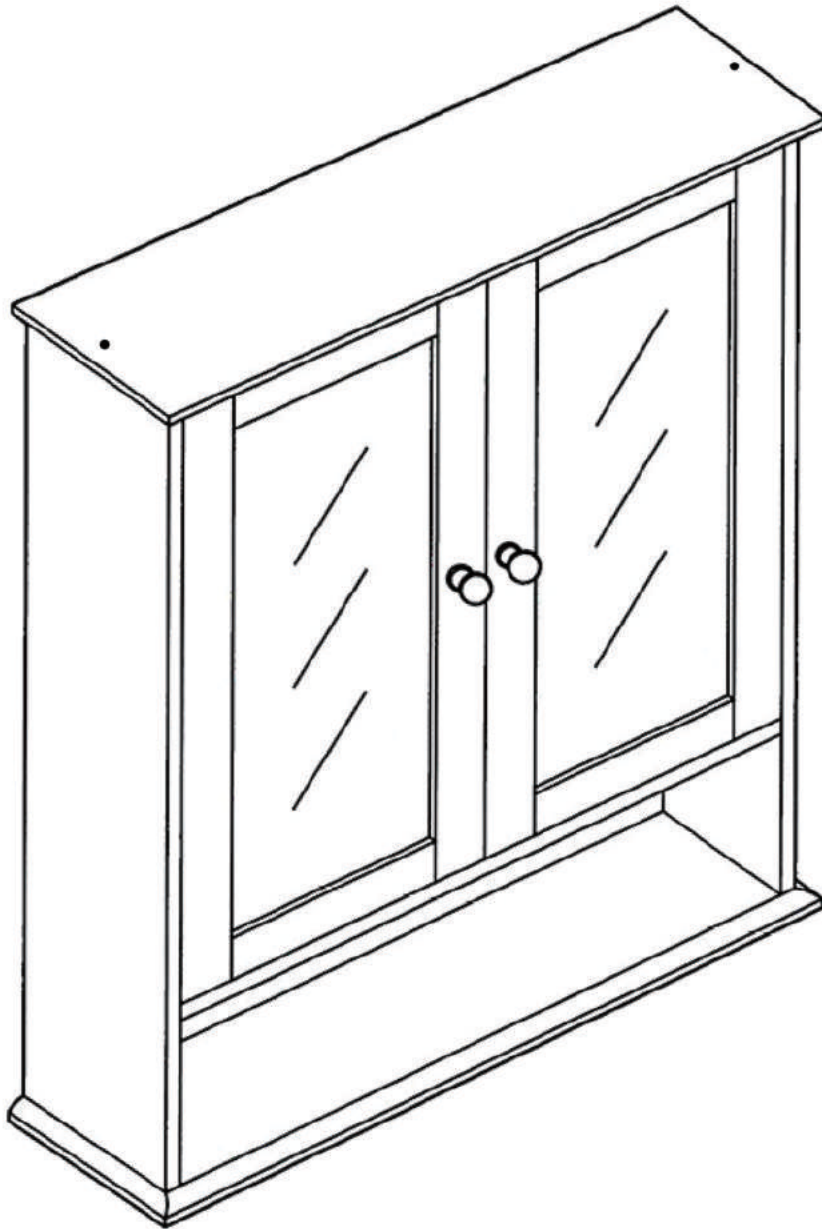


ASSEMBLY INSTRUCTION



**USER'S MANUAL/HANDBUCH/MANUEL DE L'UTILISATEUR/
MANUAL DEL USUARIO/MANUALE UTENTE/INSTRUKCJA OBSŁUGI**

**Bathroom Cabinet / Spiegelschrank /
Armoire de Salle de Bains / Armario de Baño /
Armadietto da Bagno / Szafkałazienkowa z lustrem /**

EN | DE | FR | ES | IT | PL

1



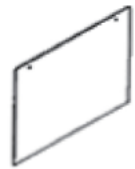
1

2



1

3



1

4



1

5



1

6



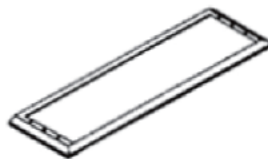
1

7



1

8



1

9



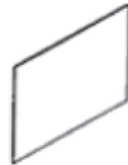
1

10



1

11



1

1

A



2 PCS

B



2 PCS

C



16 PCS

D



1 PC

E



4 PCS

F



4 PCS

G



2 PCS

H



2 PCS

I



2 PCS

J



2 PCS

K



2 PCS

L



2 PCS

M



4 PCS

N



1 PC

Step 1

Affix D to ① with E

Affix A C to ①⑧ as shown

1

A



2 pcs

B



2 pcs

C

6×30mm

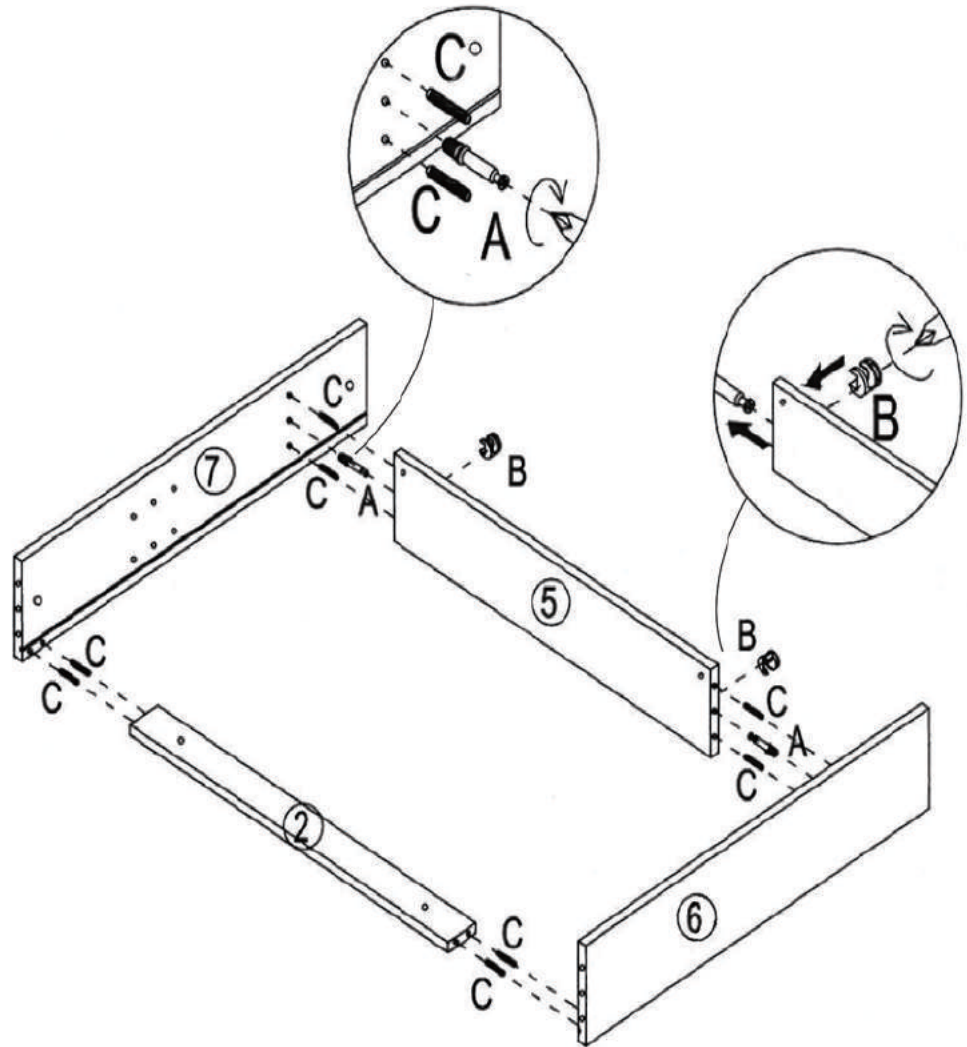
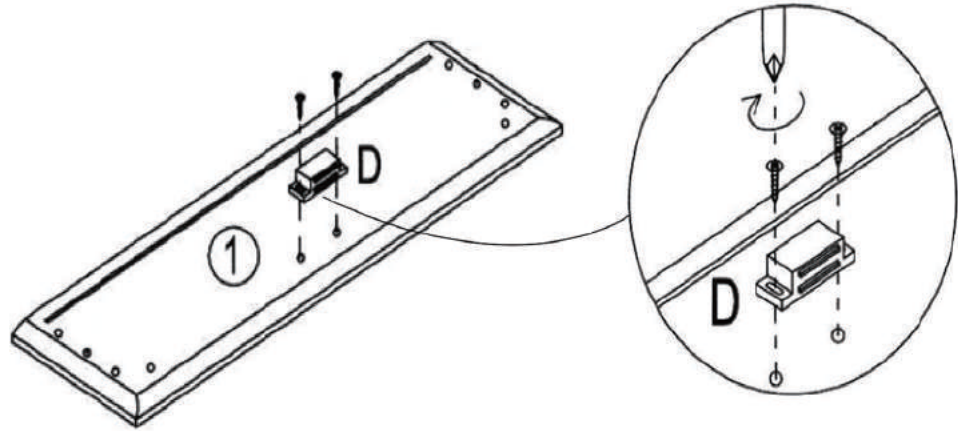


8 pcs

D



1 pc



Insert B to ⑤ as shown

Insert C to ② Affix A C to ⑥⑦

Step 2

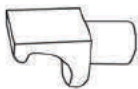
2

C 6*30mm



4pcs

M

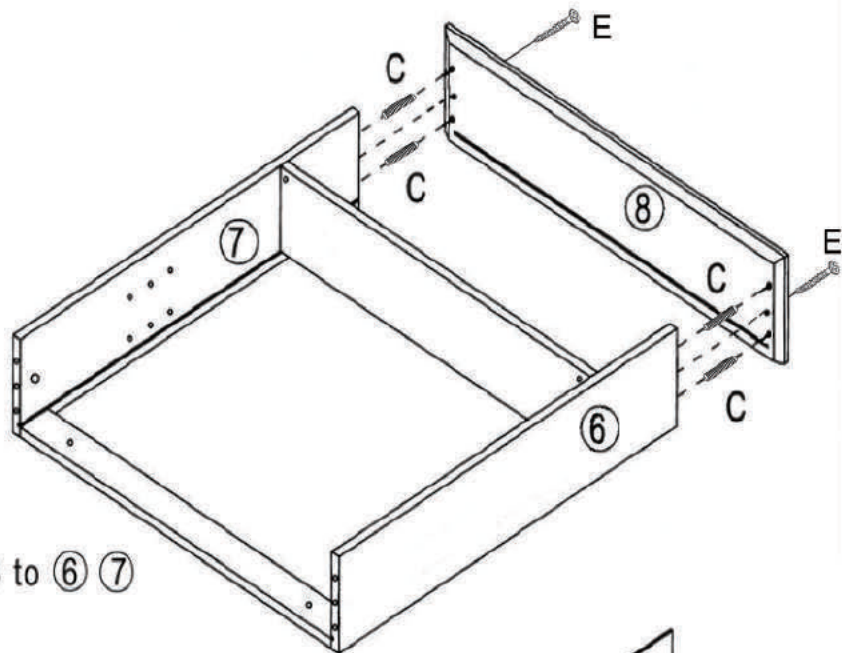


4pcs

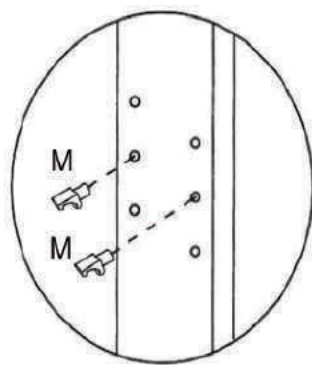
E



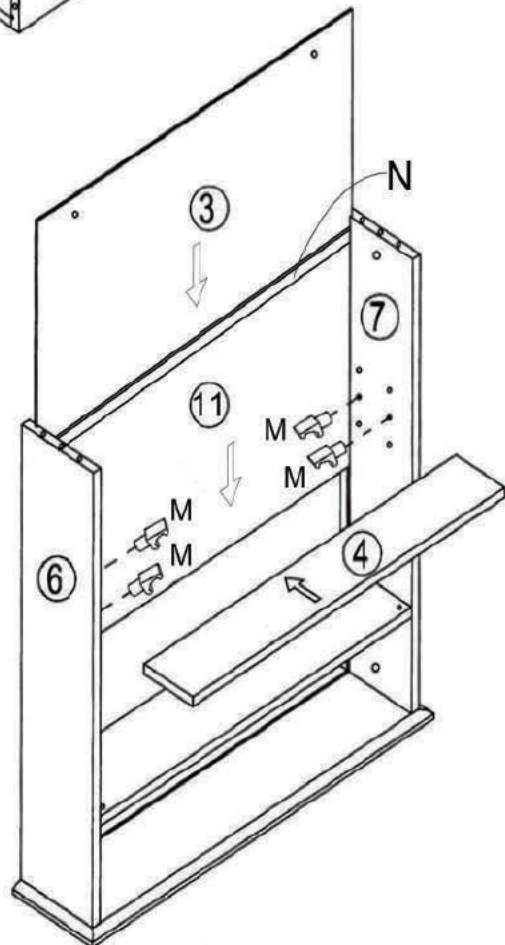
2PCS



Insert B to ⑥ ⑦



Insert F to ⑥ ⑦



Step 3

3

G



2 pcs

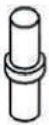
C



6×30mm

4 pcs

F



4 pcs

E



2 pcs

H



2 pcs

I



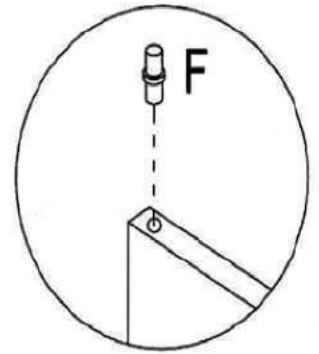
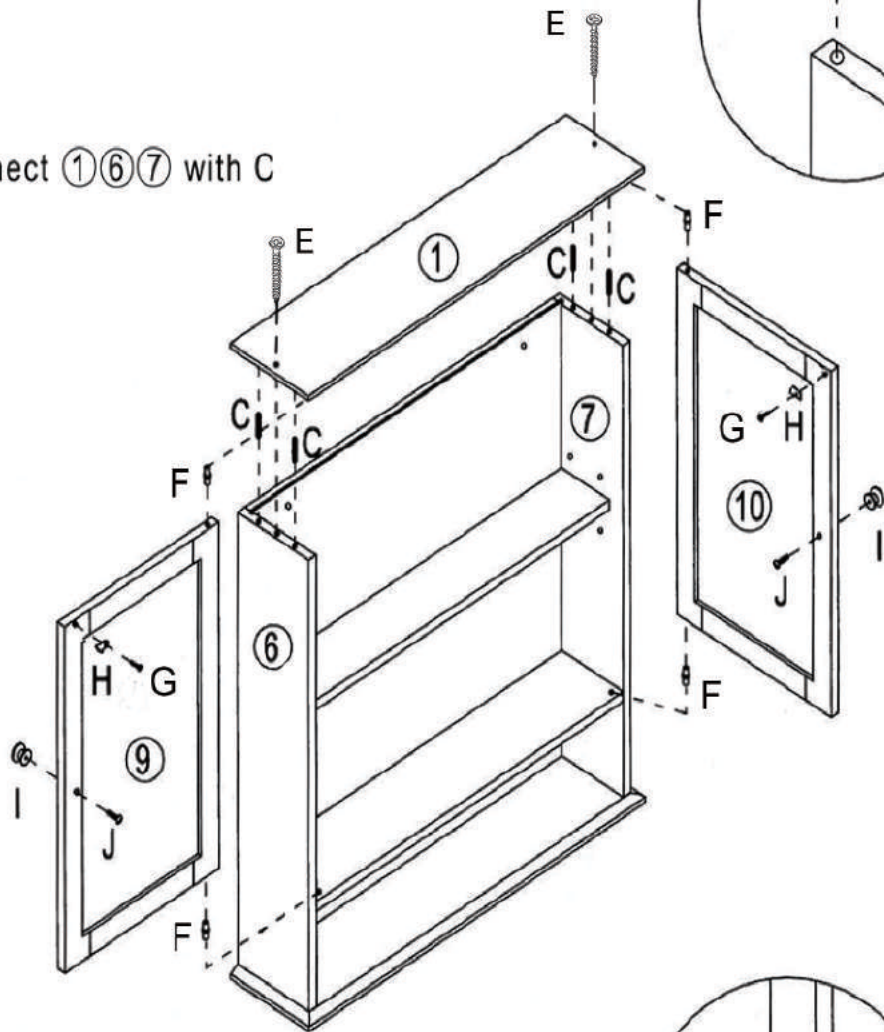
2 pcs

J

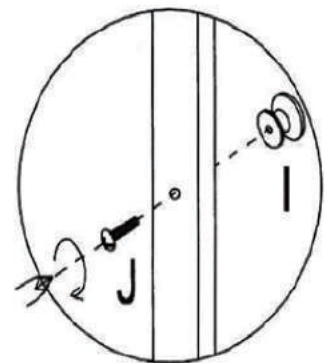


2 pcs

Connect ①⑥⑦ with C



Affix H with E
Affix I with J as shown
Insert BG as shown

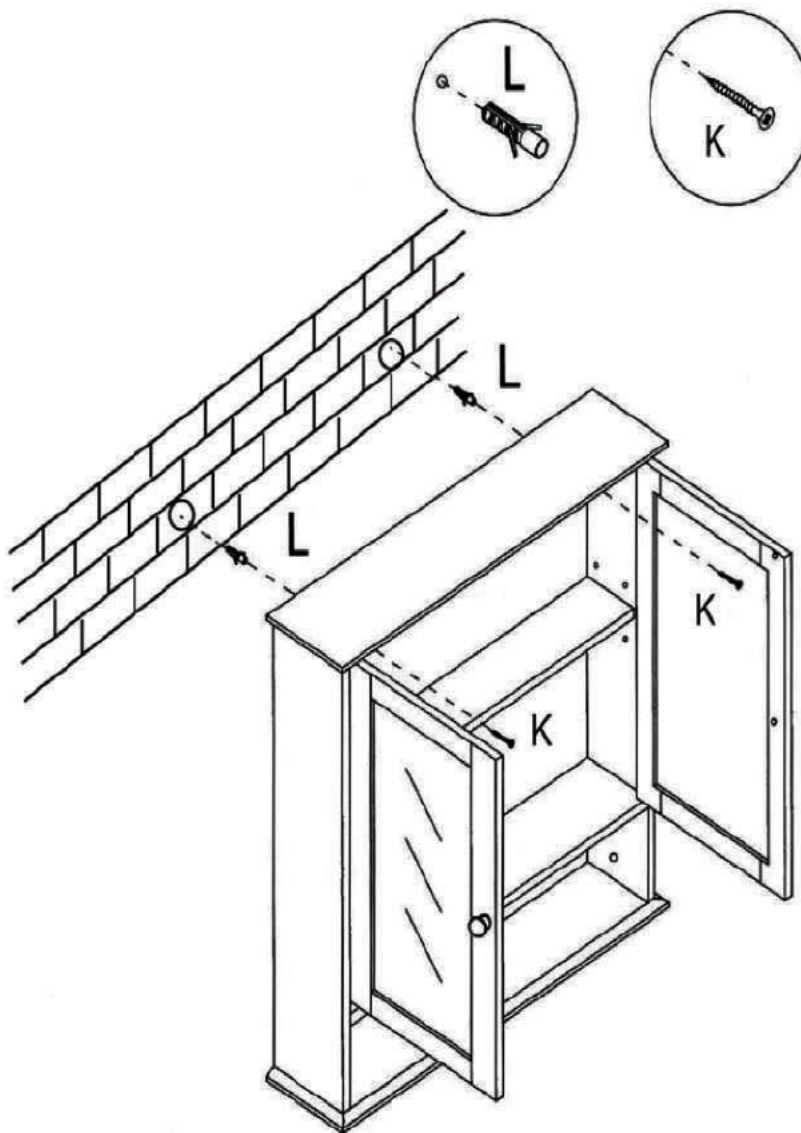


Step 4

4

K 4*35mm
Screw 2 pcs

L
Plastic Insert 2 pcs



Affix K L across ②③ on the wall

