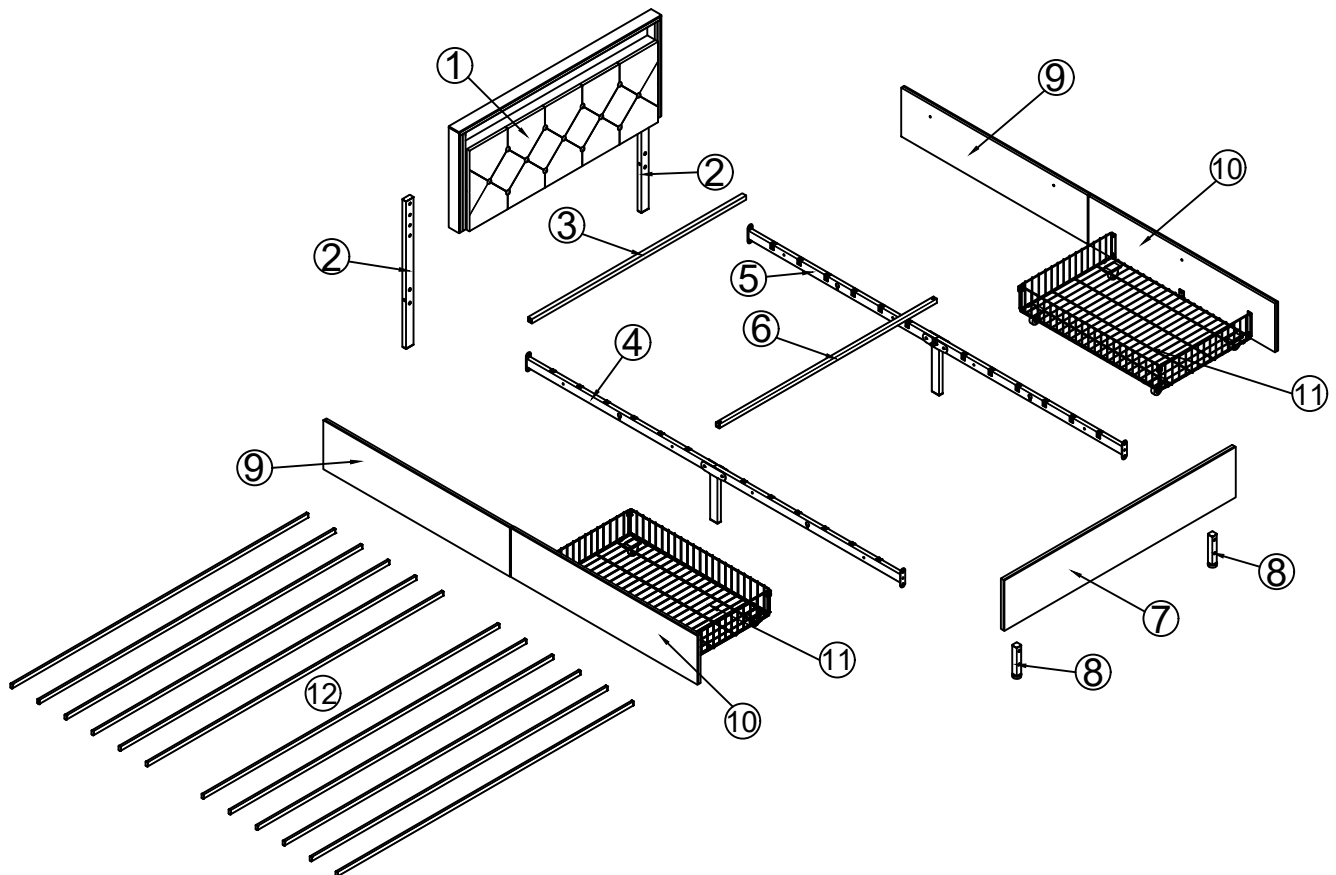
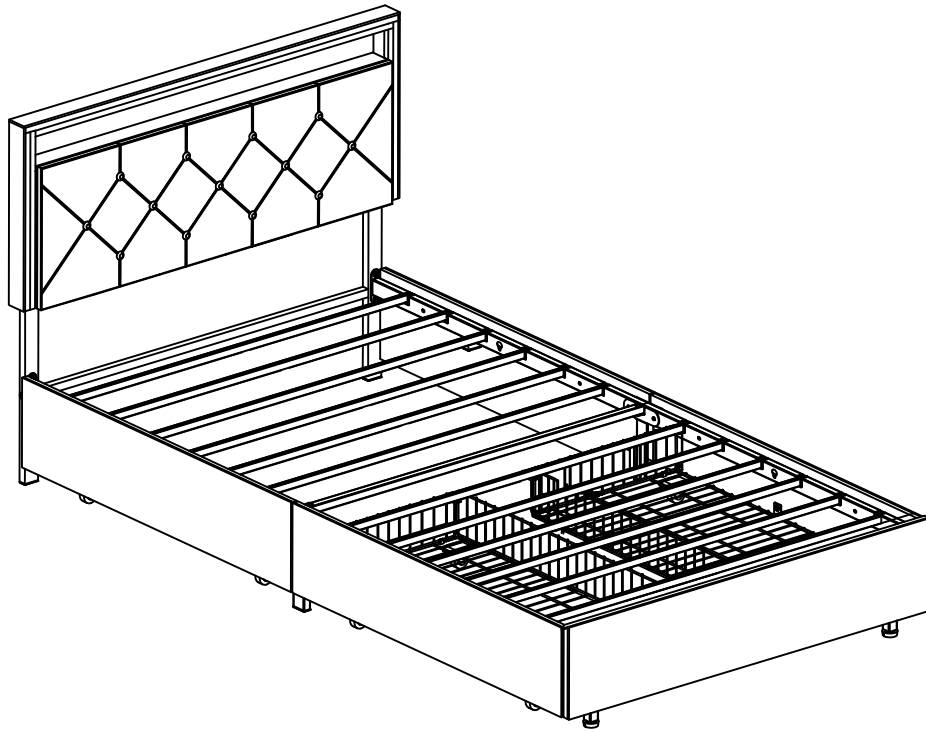
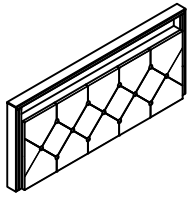


# Assembly Instruction



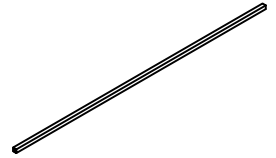
# Parts



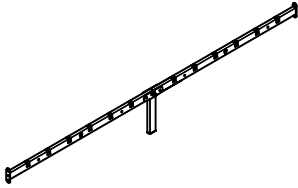
① x1



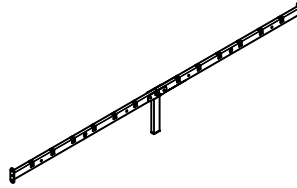
② x2



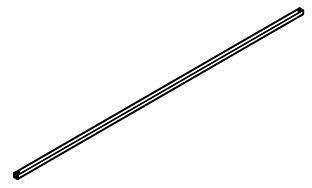
③ x1



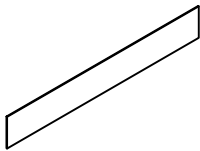
④ x1



⑤ x1



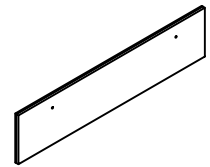
⑥ x1



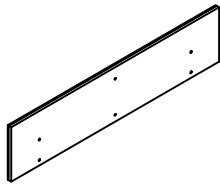
⑦ x1



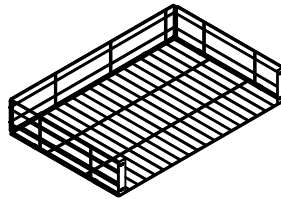
⑧ x2



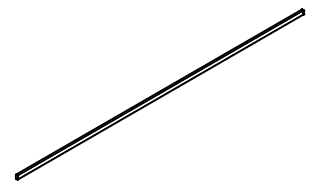
⑨ x2



⑩ x2

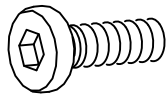


⑪ x2



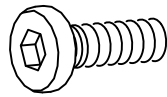
⑫ x12

# Hardware



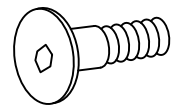
M8x20mm

Ⓐ 8xpcs+1



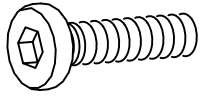
M6x15mm

Ⓑ 10xpcs+1



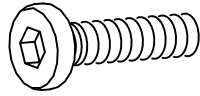
M6x20mm

Ⓒ x2pcs



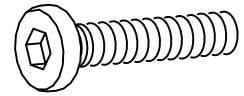
M6x35mm

Ⓓ 4xpcs



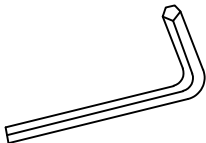
M8x35mm

Ⓔ 10xpcs+1



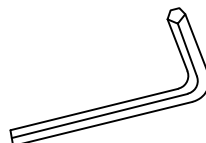
M8x60mm

Ⓕ 2xpcs



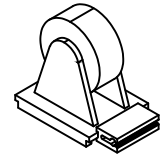
M6 ALLEN KEY

Ⓖ x1pcs

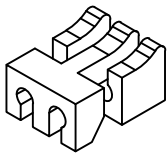


M8 ALLEN KEY

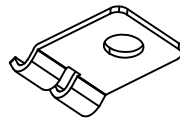
Ⓗ x1pcs



Ⓘ x8pcs

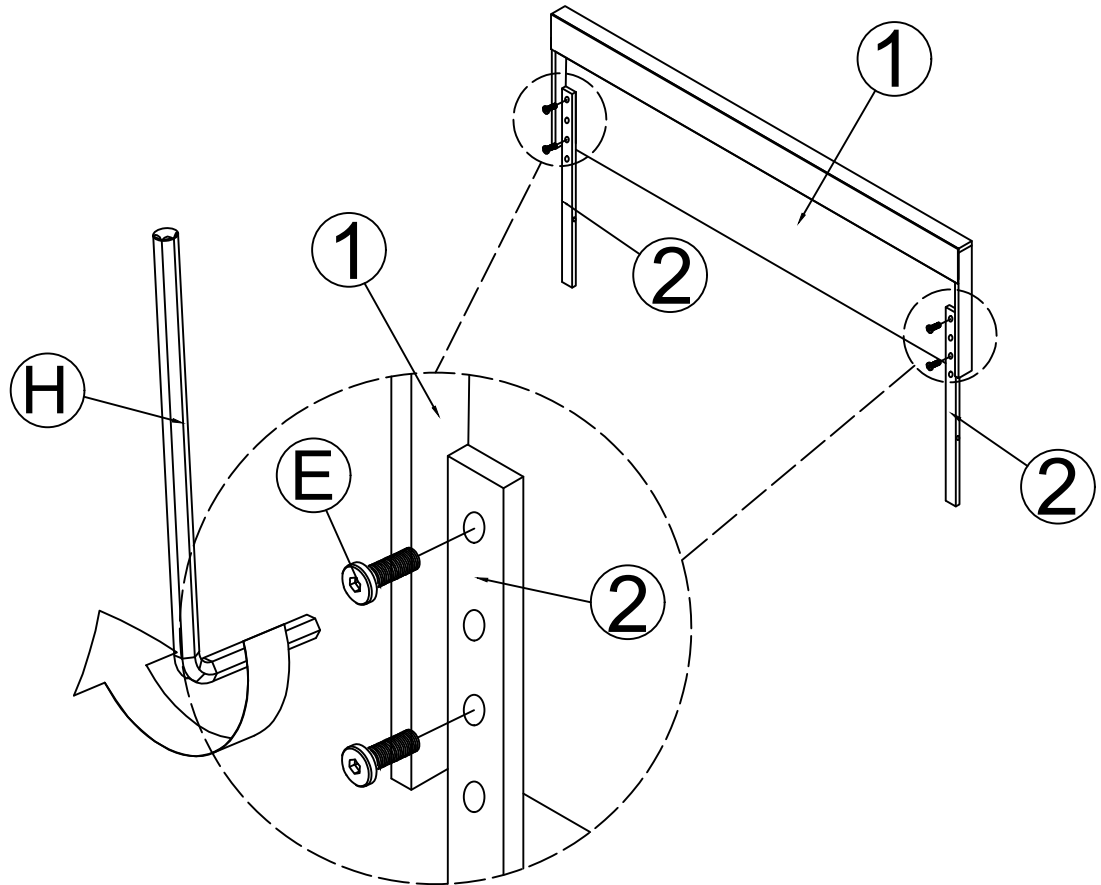


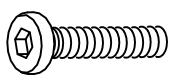
Ⓙ x4pcs



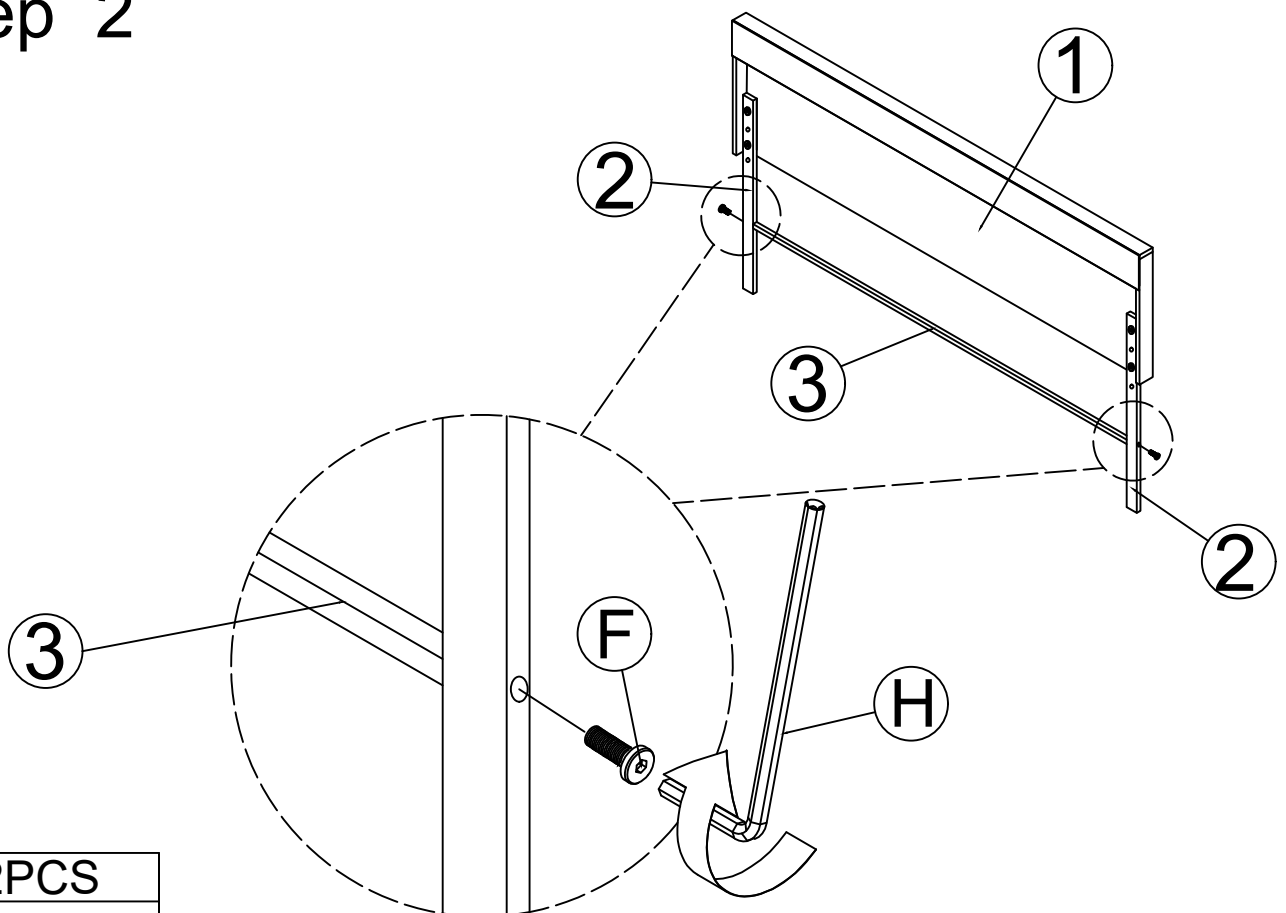
Ⓚ x2pcs

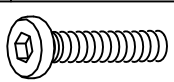
# step 1



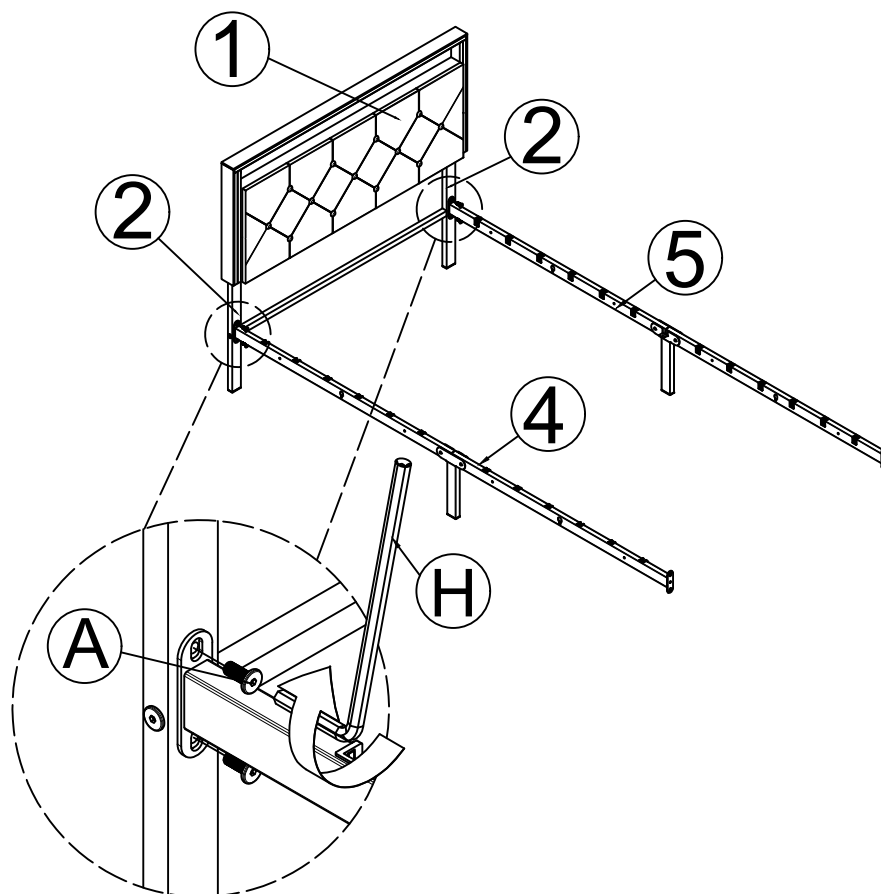
E	X4PCS
	
M8X35MM	

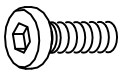
# step 2



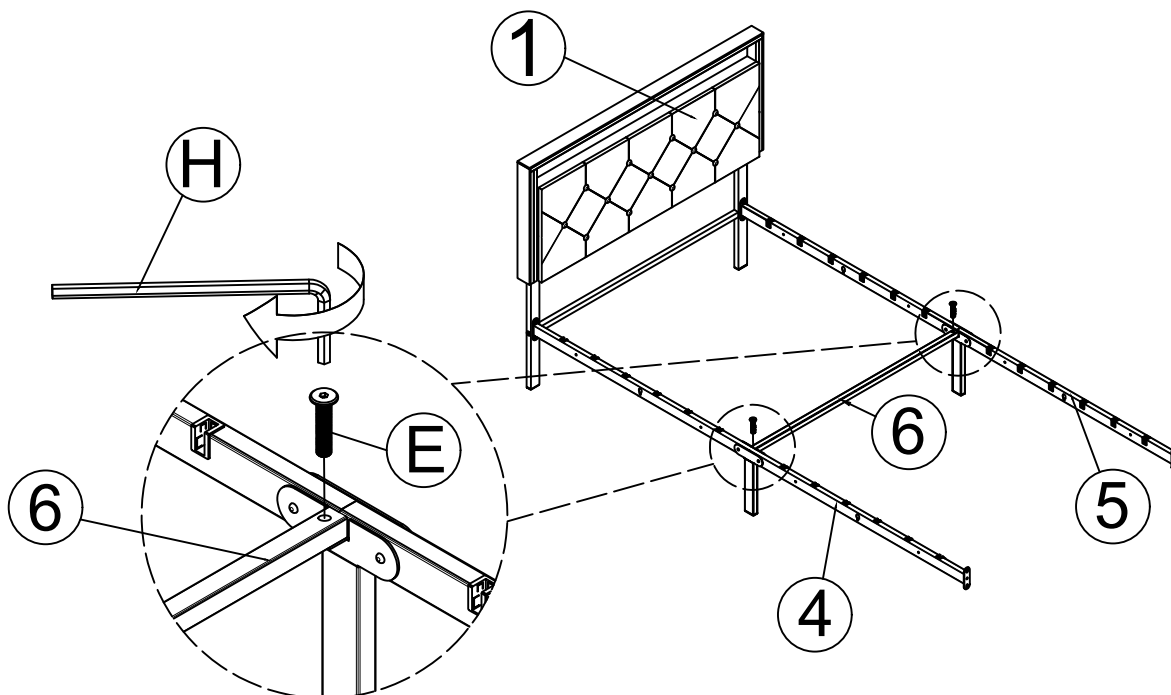
F	X2PCS
	
M8X60MM	

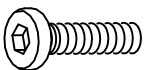
# step 3



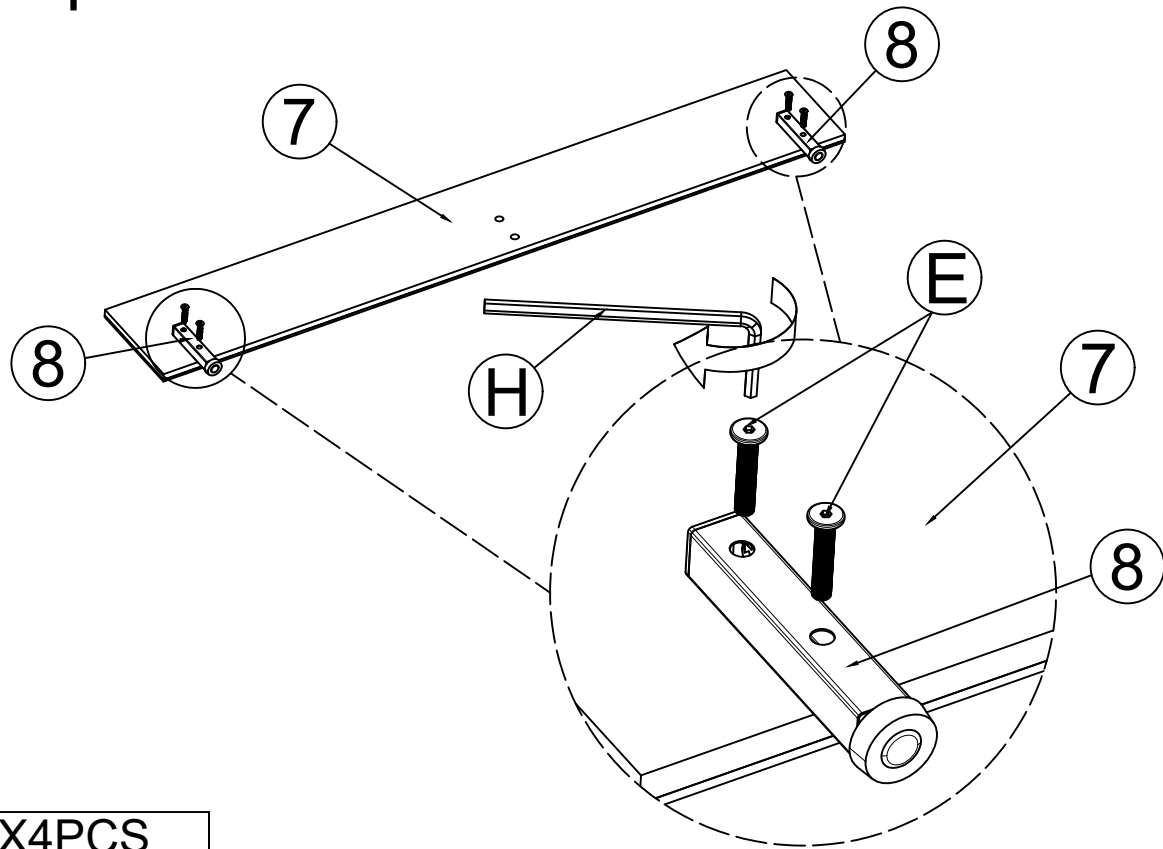
A	X4PCS
	
M8X20MM	

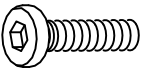
# step 4



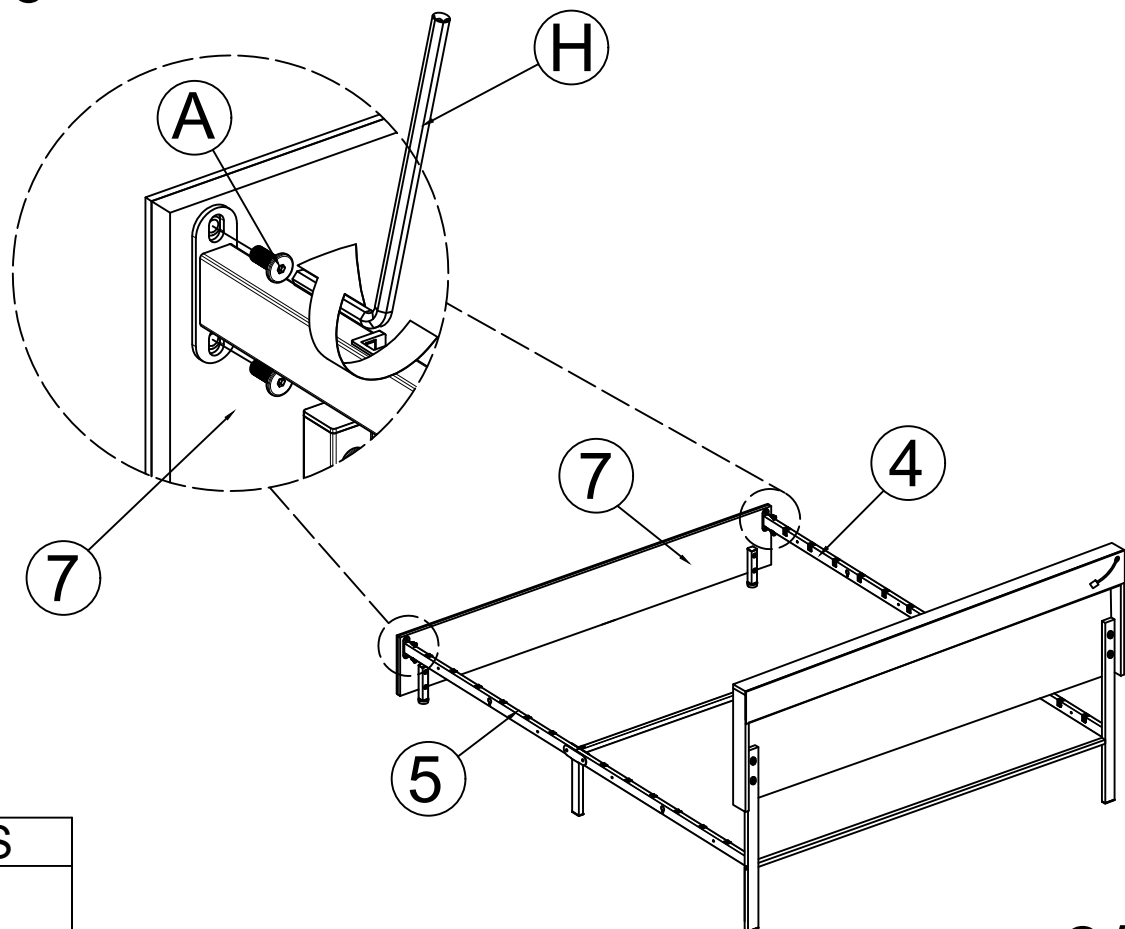
E	X2PCS
	
M8X35MM	

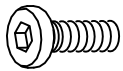
# step 5



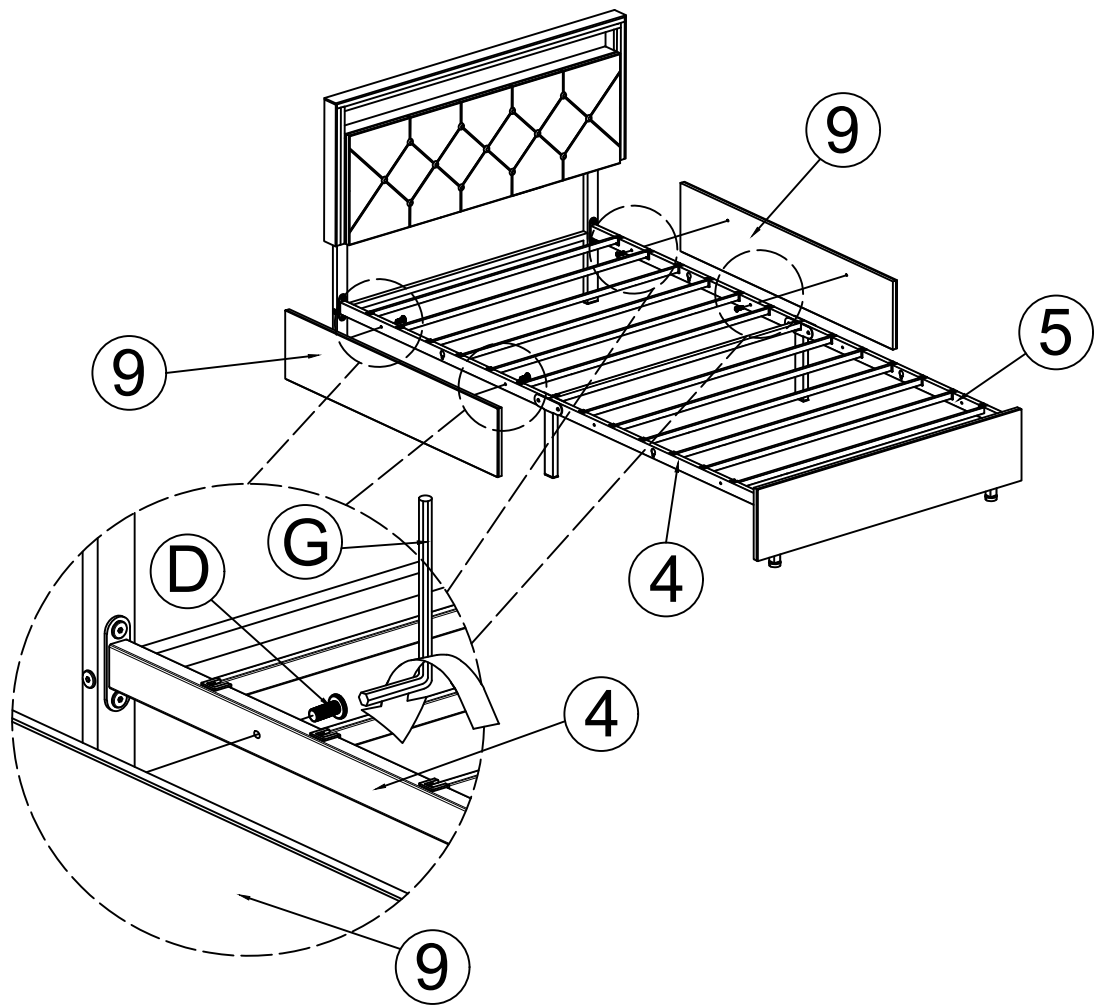
E	X4PCS
	
M8X35MM	

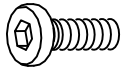
# step 6



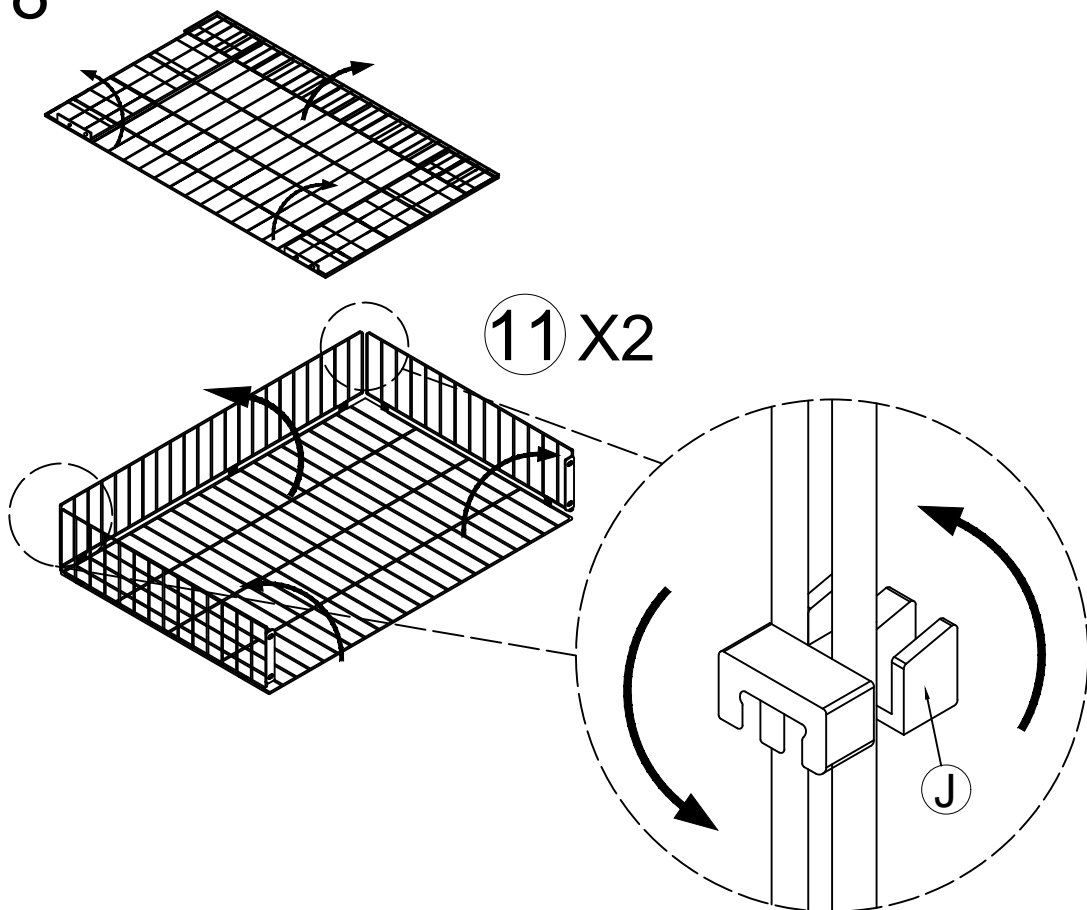
A	X4PCS
	
M8X20MM	

# step 7

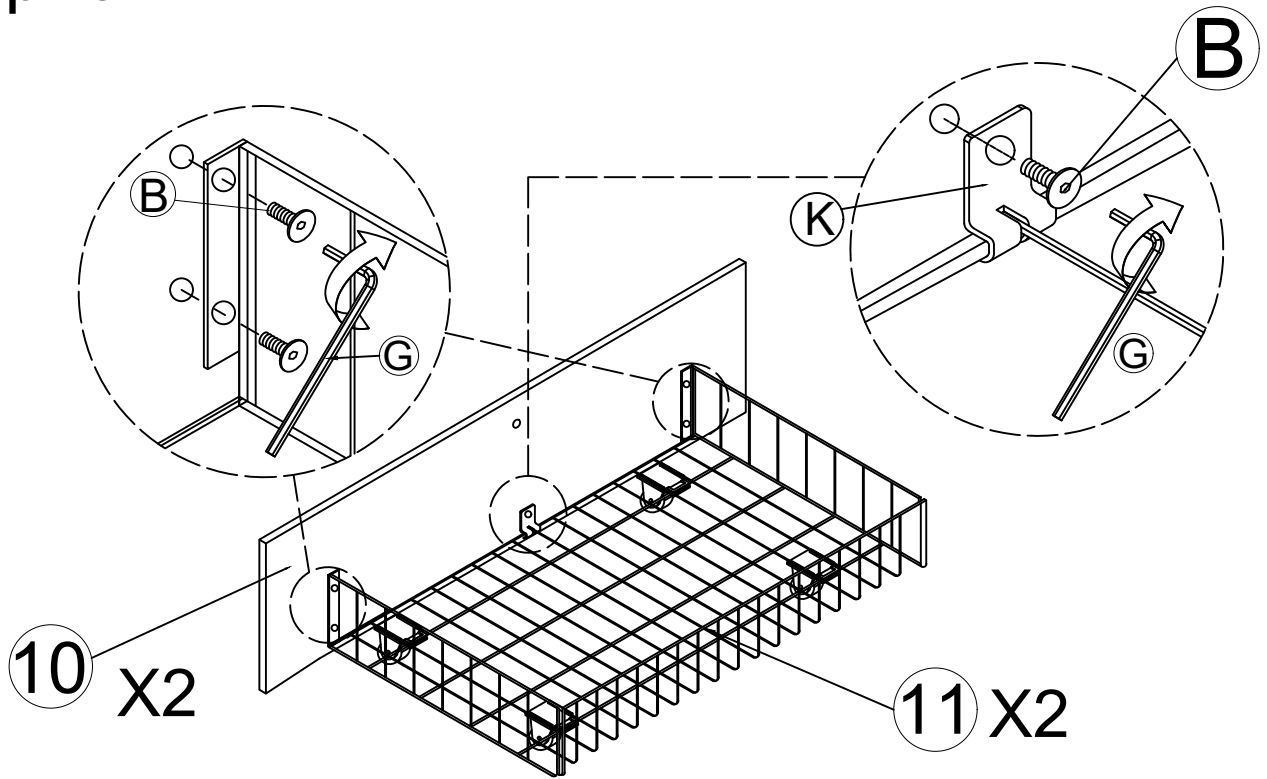


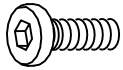
D	X4PCS
	
M6X35MM	

# step 8

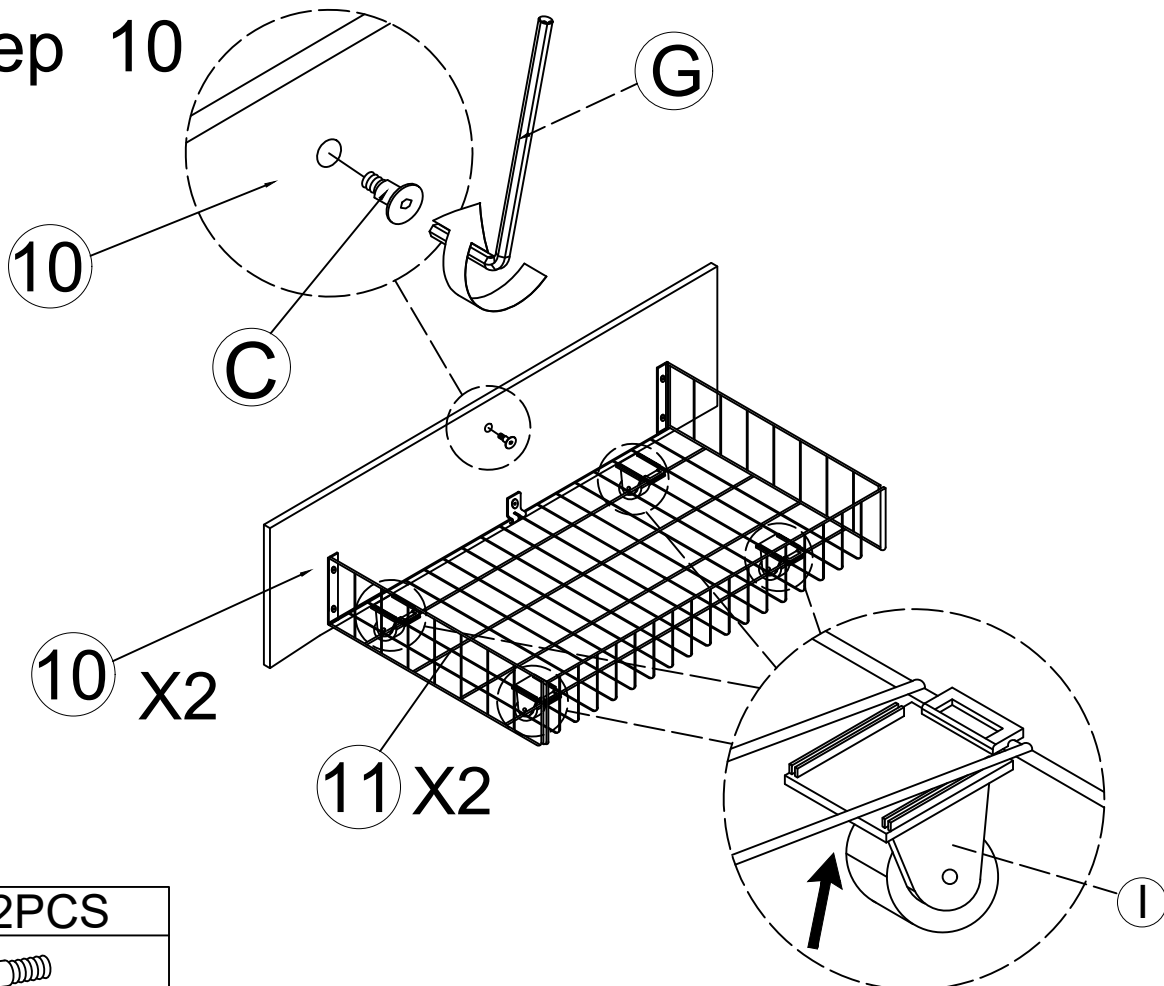


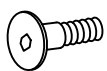
# step 9



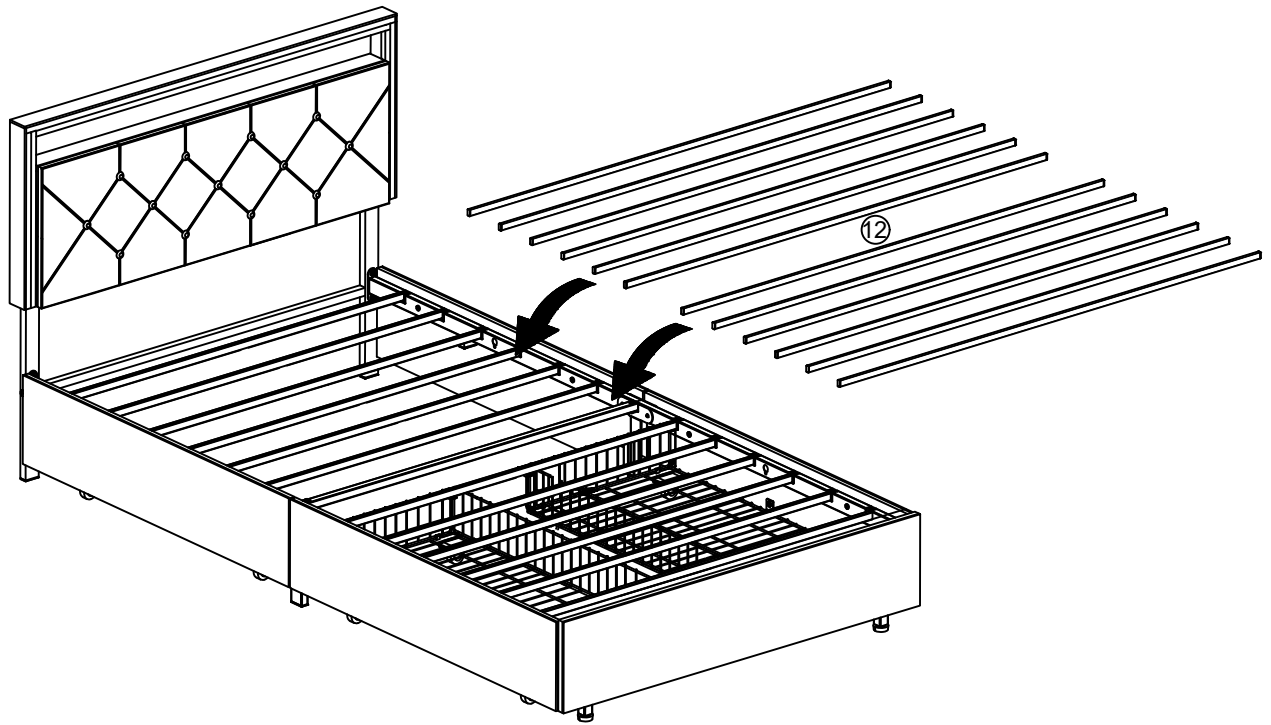
B	X10PCS
	
M6X15MM	

# step 10

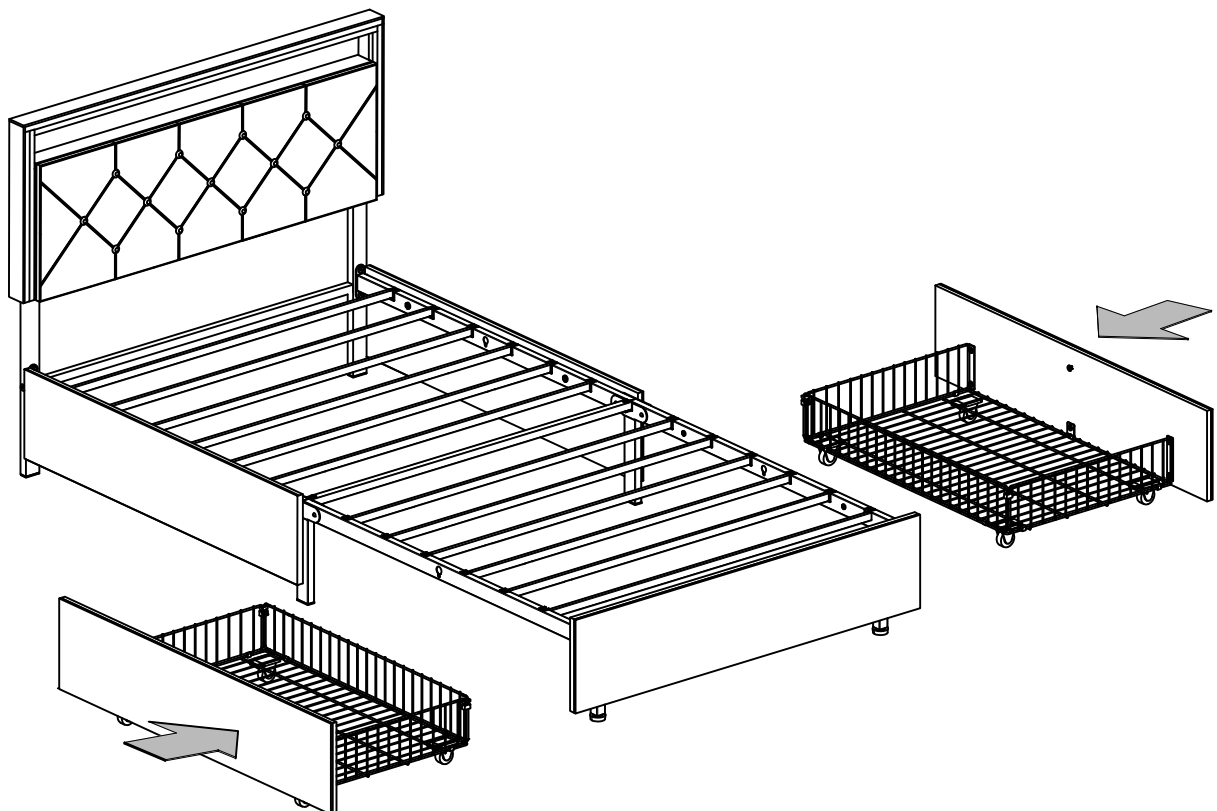


C	X2PCS
	
M6X20MM	

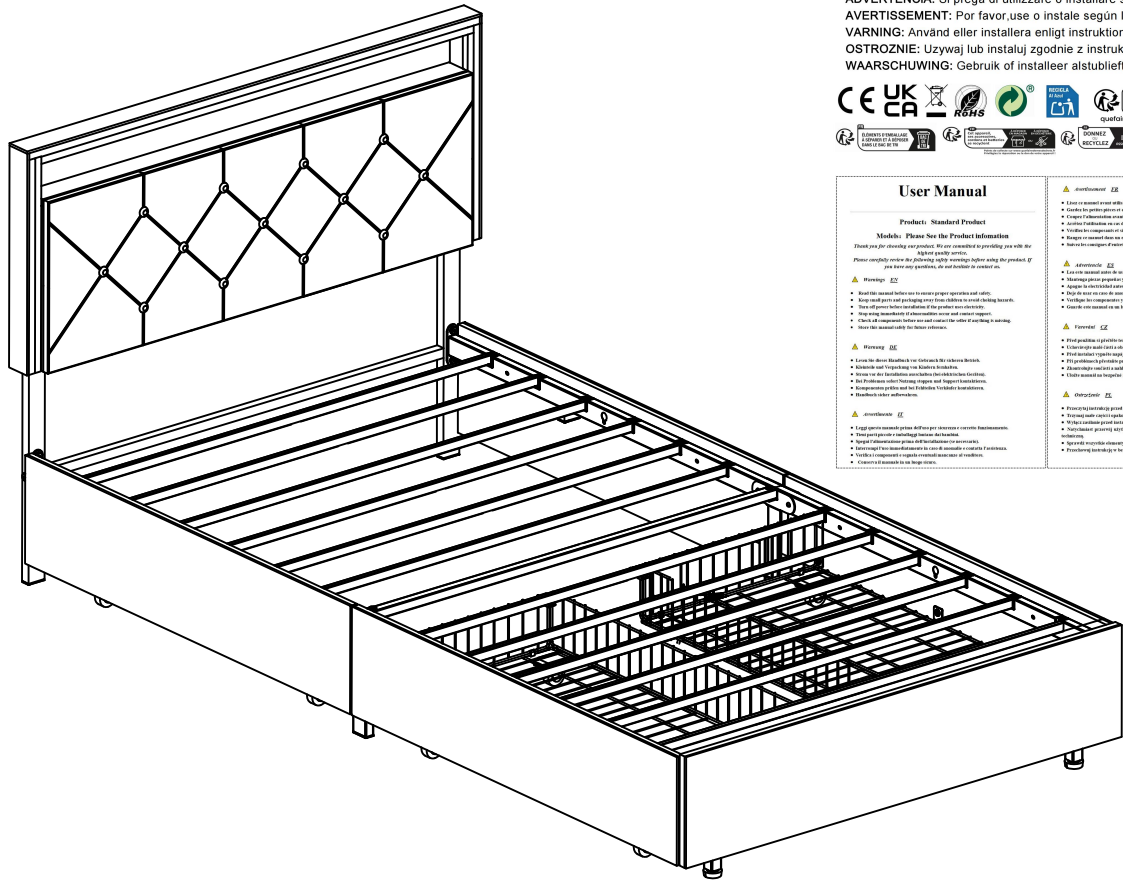
# step 11



# step 12



# step 13



## WARNING

WARNING: Please use or install according to the instructions.  
 WARNING: Bitte verwenden oder installieren Sie gemäß der Anleitung.  
 AVVERTENZA: Veuillez utiliser ou installer selon les instructions.  
 AVVERTENZA: Si prega di utilizzare o installare secondo le istruzioni.  
 AVERTISSEMENT: Por favor, use o instale según las instrucciones.  
 VARNING: Använd eller installera enligt instruktionerna.  
 OSTROZNIJE: Uzywaj lub instaluj zgodnie z instrukcjami.  
 WAARSCHUWING: Gebruik of installeer alstublieft volgens de instructies.



### User Manual

**Product: Standard Product**

**Models: Please See the Product Information**

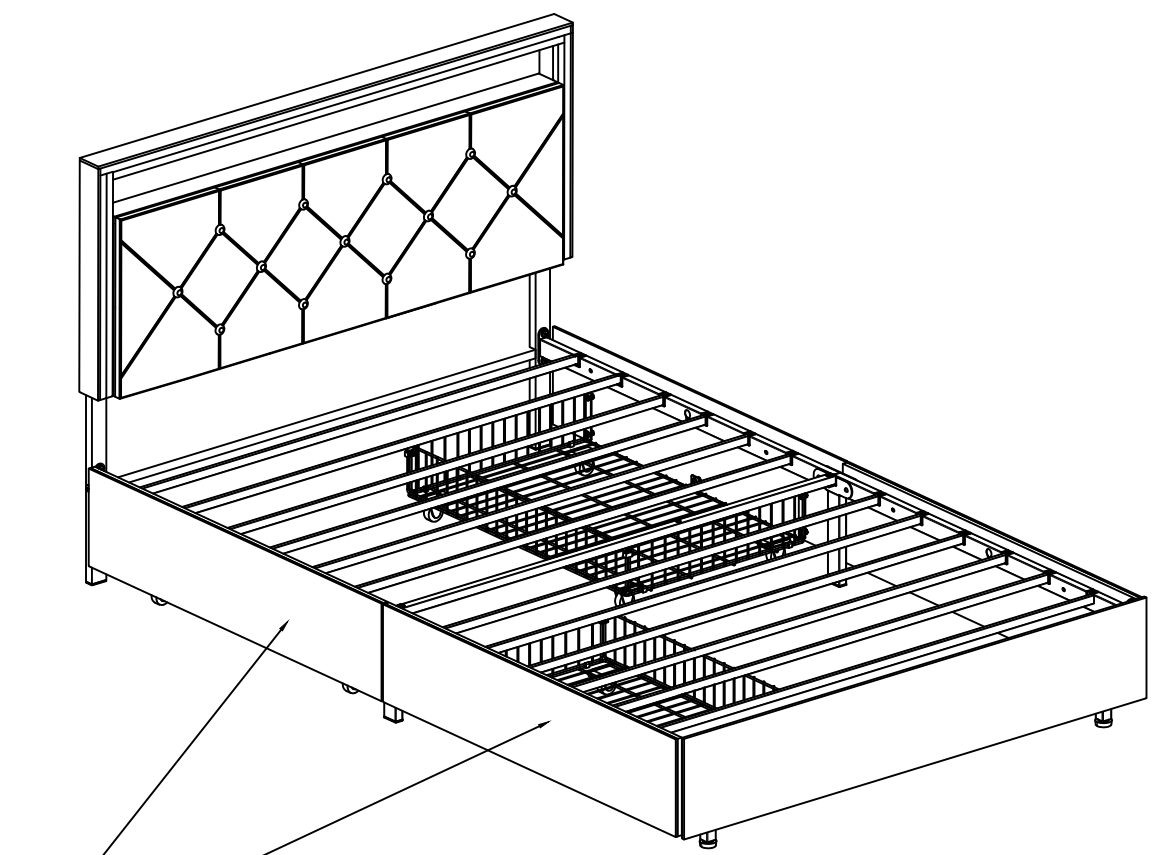
Please do not dismantle the product. If you dismantle or modify the product, it may be dangerous and void the warranty.

**Warning:**

- Read the manual before use to ensure proper operation and safety.
- Always use the correct lifting technique to avoid injury.
- Do not use the product for purposes other than intended.
- Do not use the product in areas with high humidity or moisture.
- Check the weight limit and do not exceed it.
- Do not use the product in areas with high temperature.

**Attention:**

- Do not use the product in areas with high humidity or moisture.
- Do not use the product in areas with high temperature.
- Do not use the product in areas with high vibration.
- Do not use the product in areas with high pressure.
- Do not use the product in areas with high wind.
- Do not use the product in areas with high salt.
- Do not use the product in areas with high acid.
- Do not use the product in areas with high alkali.
- Do not use the product in areas with high radiation.
- Do not use the product in areas with high magnetic field.
- Do not use the product in areas with high electric field.
- Do not use the product in areas with high electromagnetic interference.
- Do not use the product in areas with high noise.
- Do not use the product in areas with high pollution.
- Do not use the product in areas with high dust.
- Do not use the product in areas with high smoke.
- Do not use the product in areas with high gas.
- Do not use the product in areas with high liquid.
- Do not use the product in areas with high solid.
- Do not use the product in areas with high biological.
- Do not use the product in areas with high chemical.
- Do not use the product in areas with high physical.
- Do not use the product in areas with high mechanical.
- Do not use the product in areas with high electrical.
- Do not use the product in areas with high magnetic.
- Do not use the product in areas with high electromagnetic.
- Do not use the product in areas with high acoustic.
- Do not use the product in areas with high optical.
- Do not use the product in areas with high thermal.
- Do not use the product in areas with high radiological.
- Do not use the product in areas with high nuclear.
- Do not use the product in areas with high atomic.
- Do not use the product in areas with high molecular.
- Do not use the product in areas with high cellular.
- Do not use the product in areas with high tissue.
- Do not use the product in areas with high organ.
- Do not use the product in areas with high system.
- Do not use the product in areas with high organism.
- Do not use the product in areas with high biosphere.
- Do not use the product in areas with high geosphere.
- Do not use the product in areas with high lithosphere.
- Do not use the product in areas with high hydrosphere.
- Do not use the product in areas with high atmosphere.
- Do not use the product in areas with high biosphere.
- Do not use the product in areas with high geosphere.
- Do not use the product in areas with high lithosphere.
- Do not use the product in areas with high hydrosphere.
- Do not use the product in areas with high atmosphere.



Drawers can be freely matched