

INSTALLATION

Product Manual



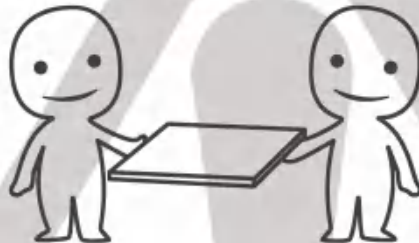
IMPORTANT INFORMATION!

please read the entire manual before starting to assemble and/or using this product. follow the manual thoroughly and keep it for further reference.



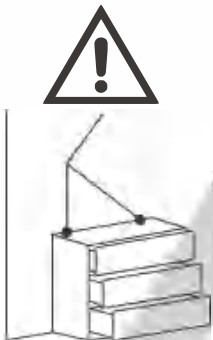
AVOID SCRATCHES!

In order to avoid scratching this furniture should be assembled on a soft layer—could be a rug.



IMPROVE EFFICIENCY !

Try to find a partner to install with you, which can speed up the installation efficiency and shorten the time.



ANTI-TOPPLE WARNING !

Overturned furniture can cause serious or fatal crush injuries. To prevent tipping over, be sure to use the wall attachment, if not included with this product. Please purchase the wall attachment that fit your wall. If unsure, seek professional advice. Please read and follow each step of the instructions carefully.

IMPORTANT !

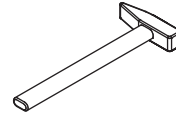
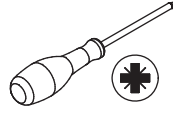
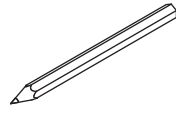
It is important that any product which is assembled using any kind of screw is re-tightened 2 weeks after assembly, and once every 3 months - in order to assure stability through-out the lifespan of the product.

For regular maintenance and cleaning of the product, for the frame, please use a rag dipped in neutral detergent to fully wipe it, and then dry it with a clean rag. For glass materials, wipe with a rag dampened with water glass cleaner, and then dry with a dry rag.

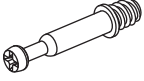
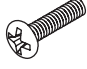

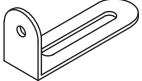



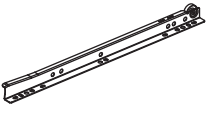
Do not use an electric screwdriver, and do not use too much force when installing, because the board is easy to break.

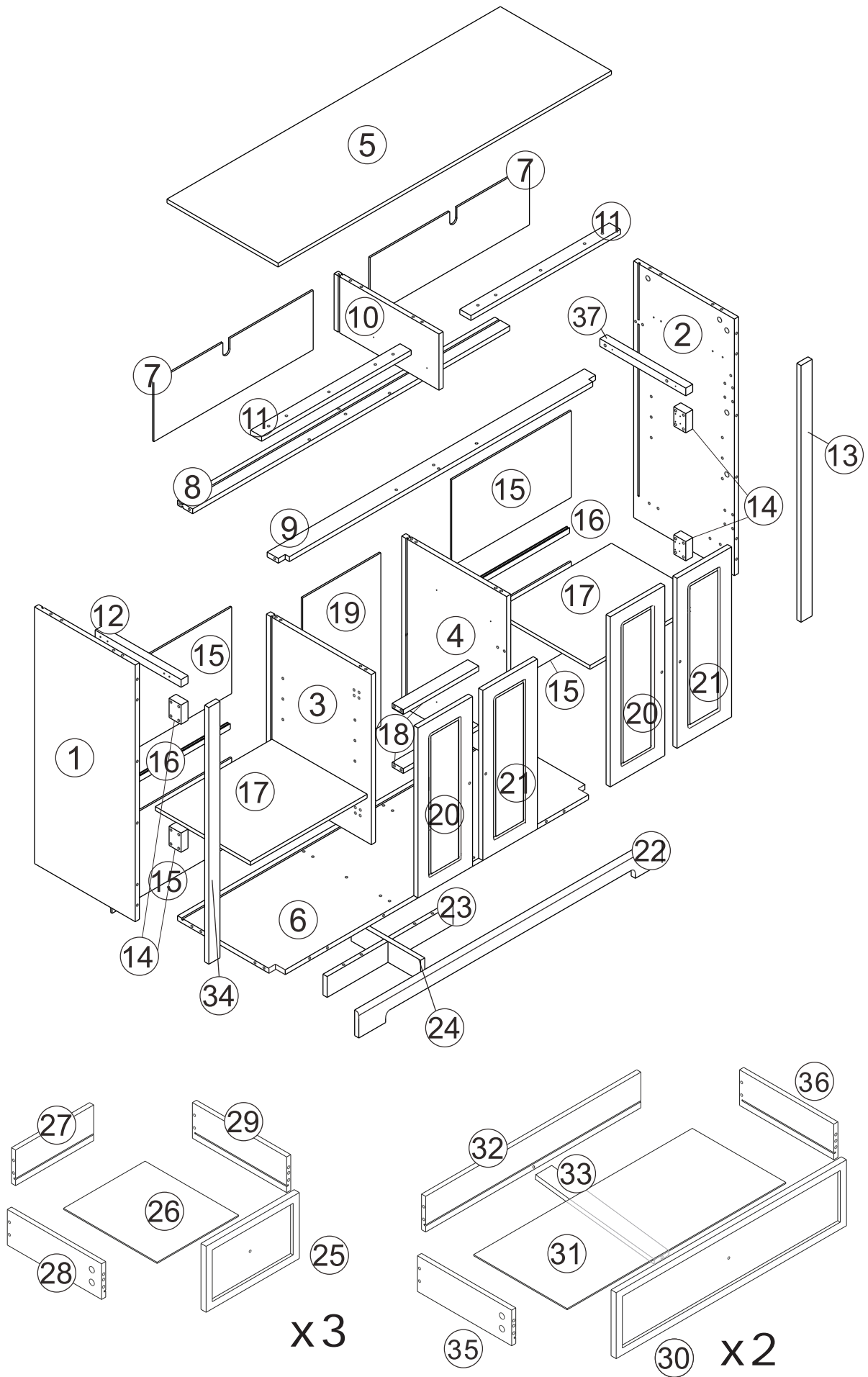


Please prepare the following tools

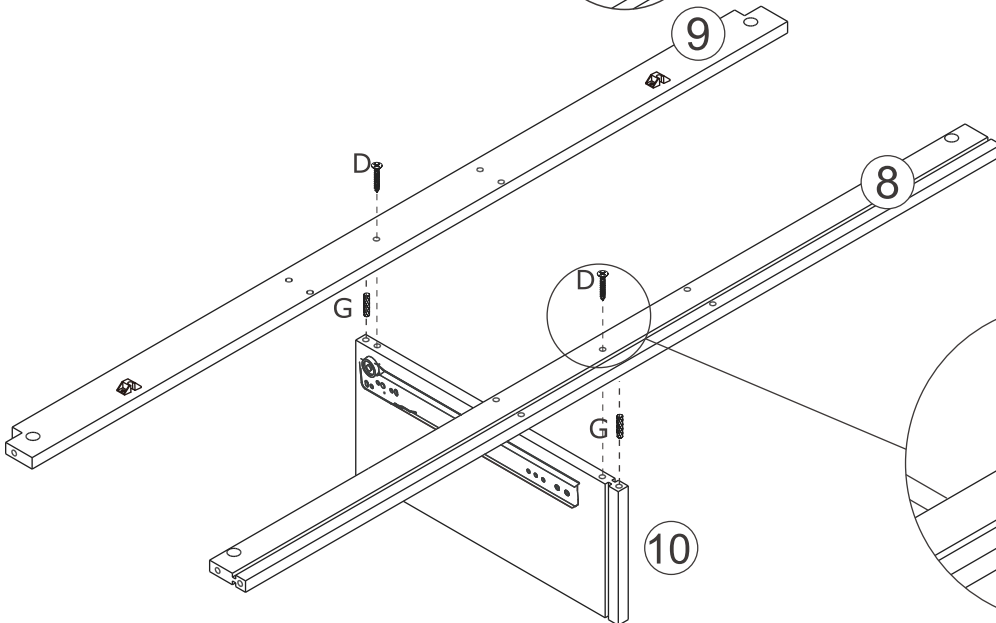
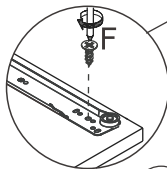
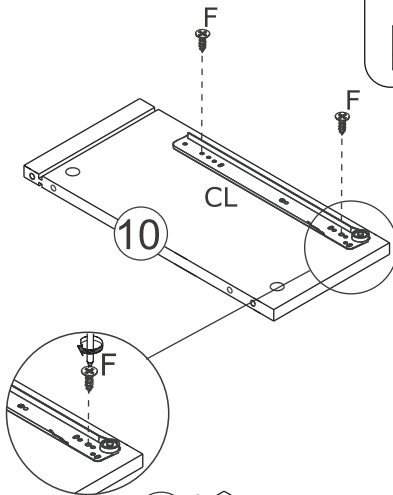
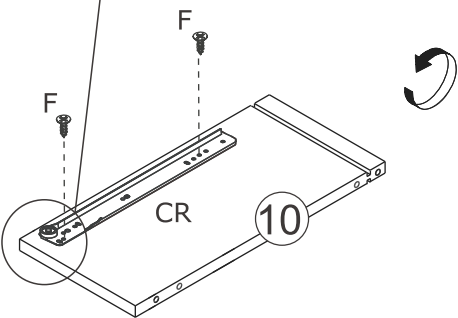
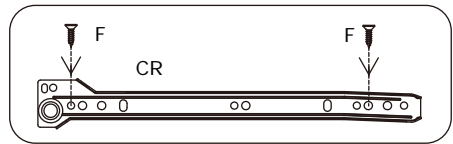
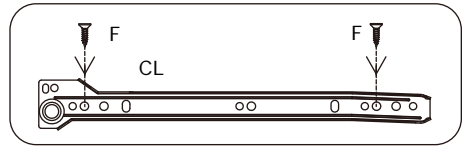
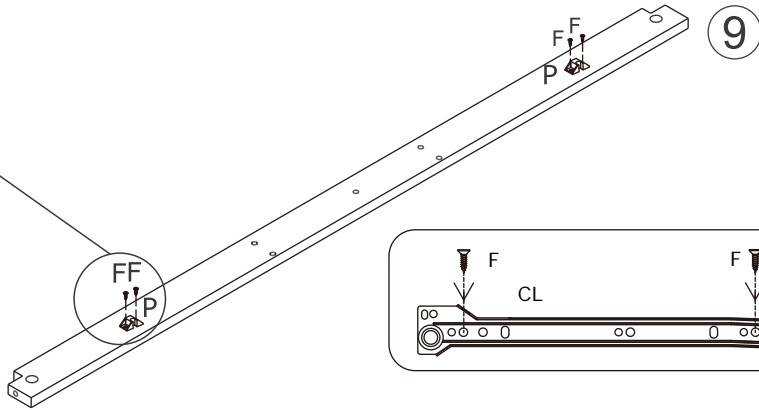
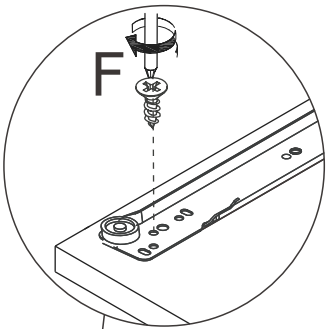
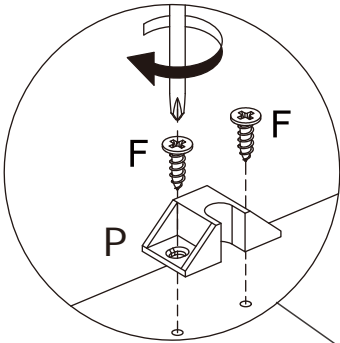
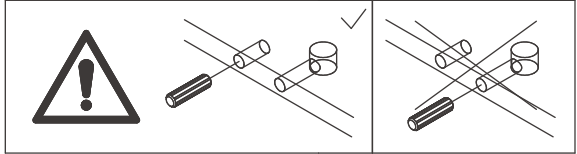
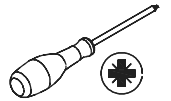
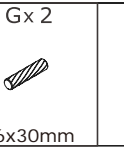
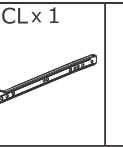
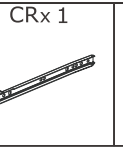
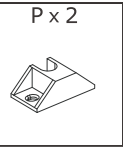
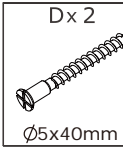


When installing, please carefully confirm whether each screw corresponds to the manual, accessories with similar shapes can be distinguished by size

A x 50  Ø6 x 35 mm	B x 50  Ø15 x 10 mm	C x 28  Ø4 x 25 mm	D x 34  Ø5 x 40 mm	F x 92  Ø3.5 x 12 mm
G x 34  Ø6 x 30 mm	H x 8  Ø4 x 18 mm	J x 4  Ø4 x 18 mm	K x 12  Ø6 x 20 mm	L x 9 
M x 2 	N x 5  Ø4 x 12 mm	P x 2 	Q x 8 	R x 2  Ø4 x 14 mm
V x 26 	W x 26  Ø3 x 14 mm	Y x 2  Ø3.5 x 35 mm	Z x 2 	CL x 5 
CR x 5 	DL x 5 	DR x 5 		



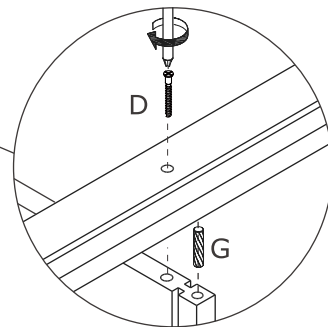
1



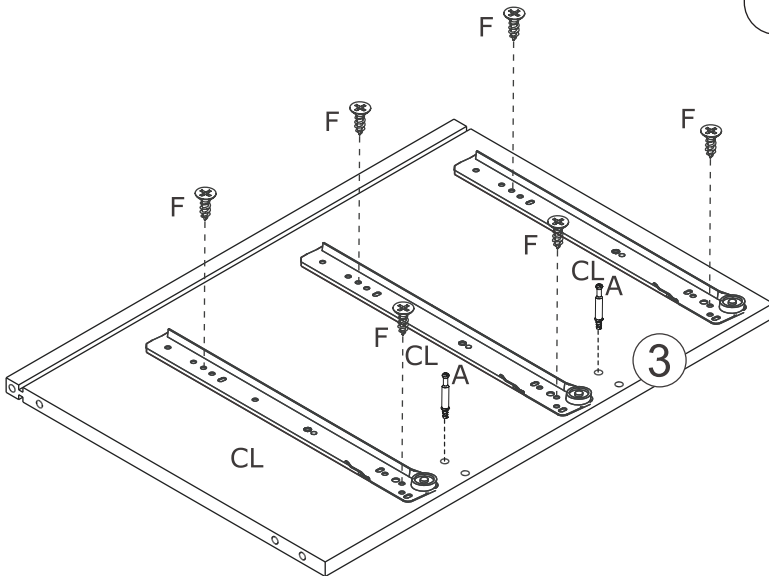
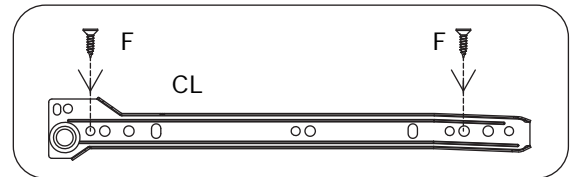
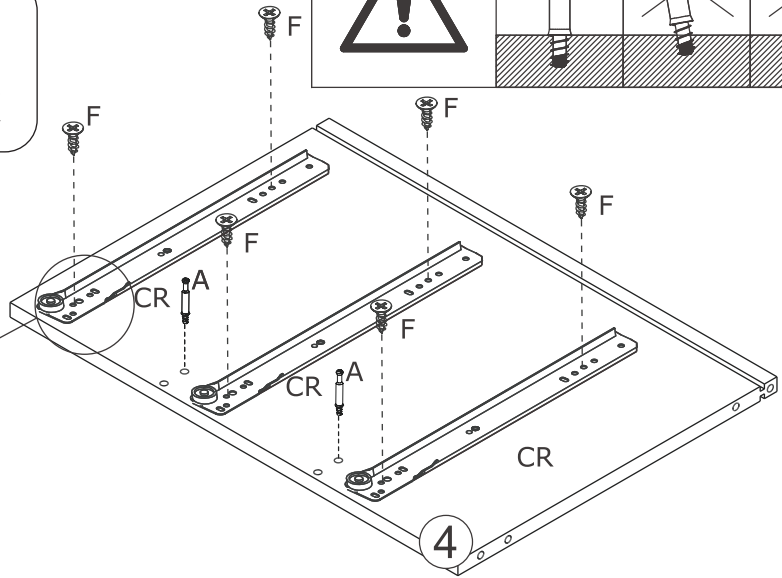
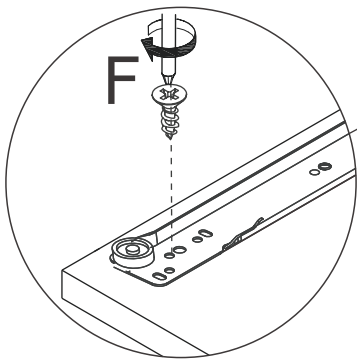
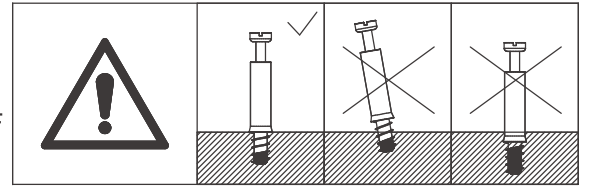
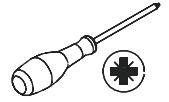
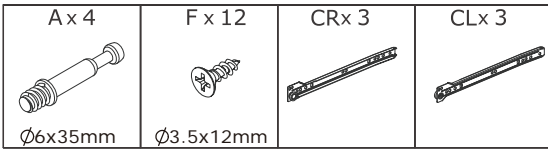
Fix part(P) to plate 9 using screw(F) as shown.

Fix slide rail(CL) to plate 10 using screw(F), flip the plate, and fix slide rail(CR) as well.

Attach plate 8 and 9 to plate 10 with wooden dowel(G), then fix using screw(D) as shown.





2

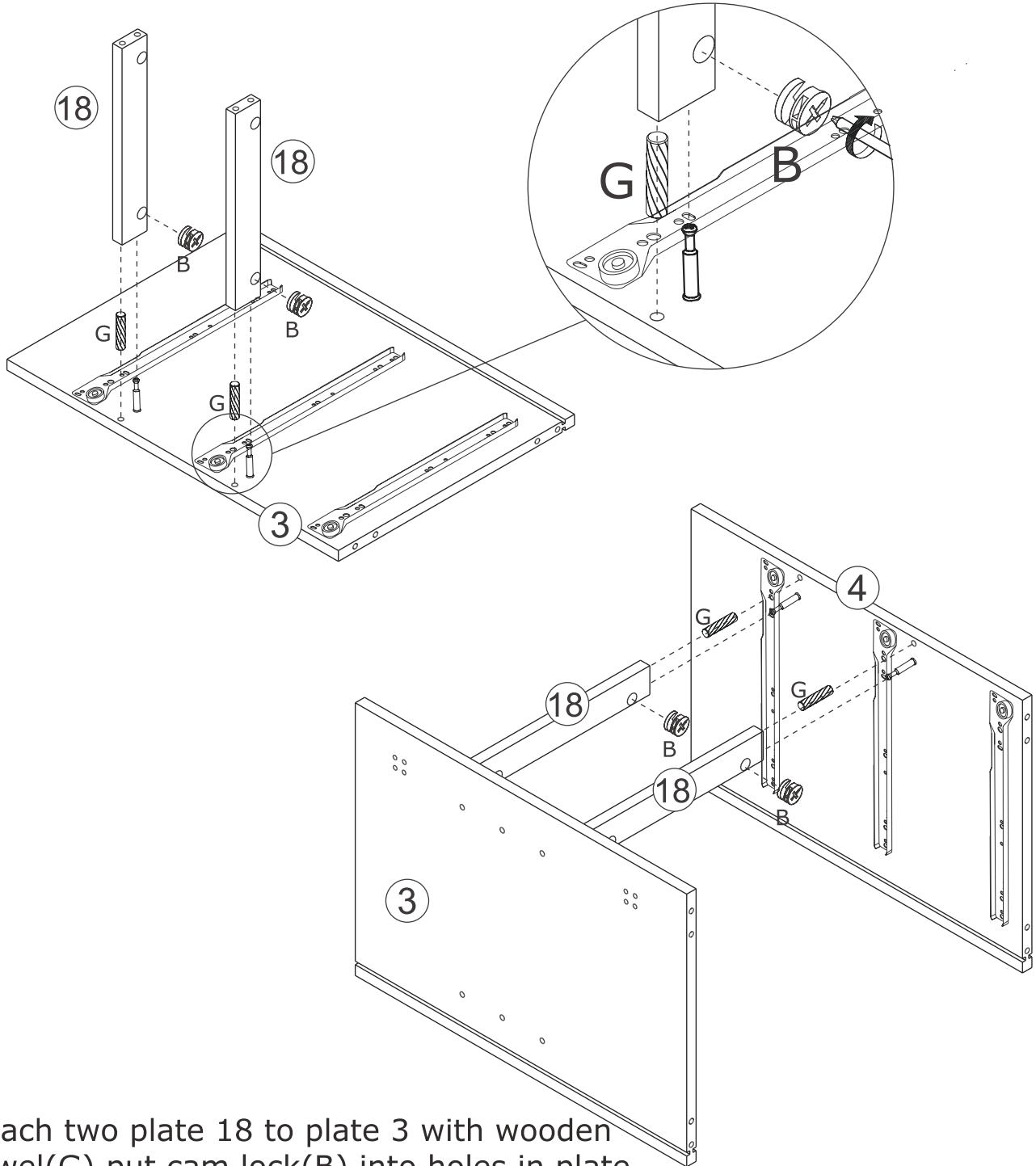
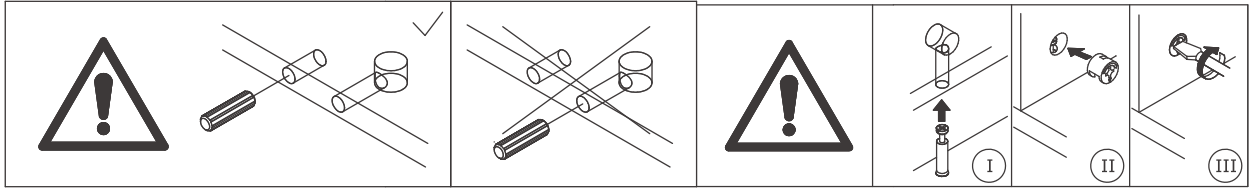
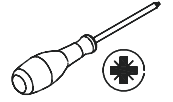


Fix slide rail(CL) and (CR) to plate 3 and 4 respectively using screw(F) as shown.

Insert quickfit screw(A) into corresponding holes in plate 3 and 4 with a screwdriver as shown.

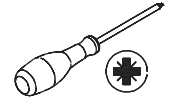
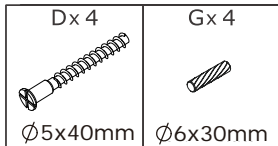
3

B x 4  Ø15x10mm	G x 4  Ø6x30mm
--	---

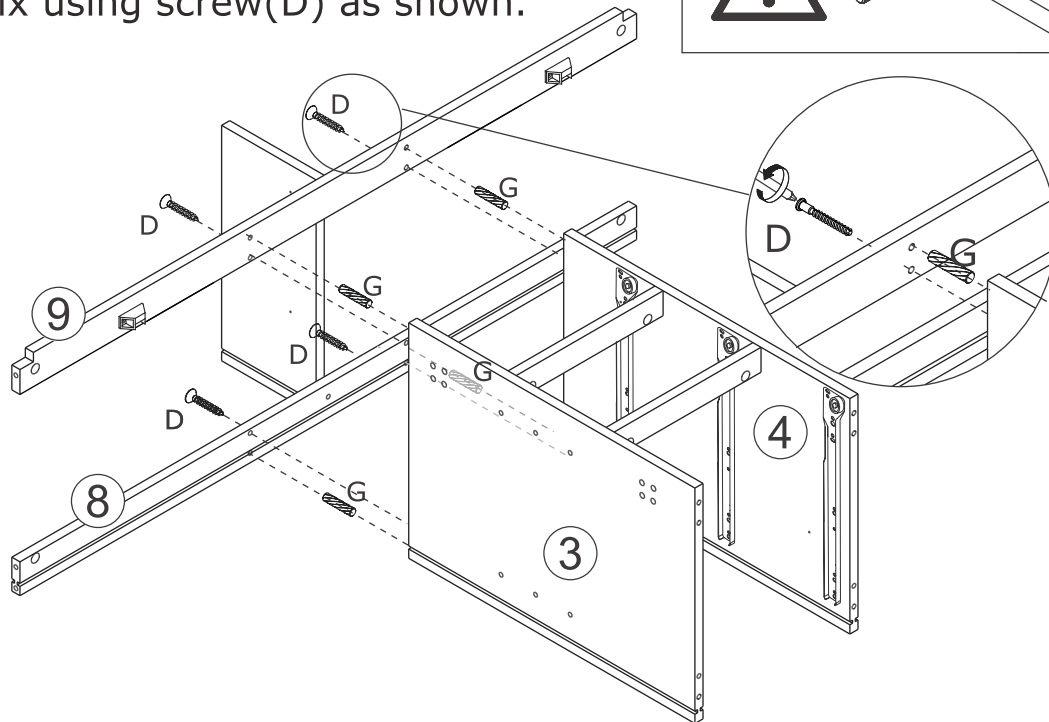
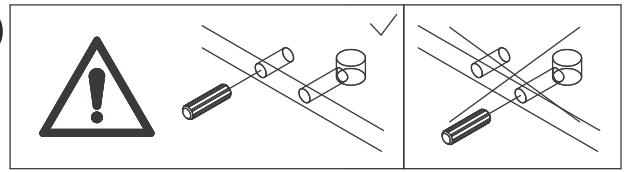


Attach two plate 18 to plate 3 with wooden dowel(G),put cam lock(B) into holes in plate 18 and turn clockwise to tighten as shown.
Attach plate 4 to two plate 18 with wooden dowel(G), put cam lock(B) into holes in plate 18 and turn clockwise to tighten as shown.

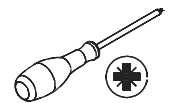
4



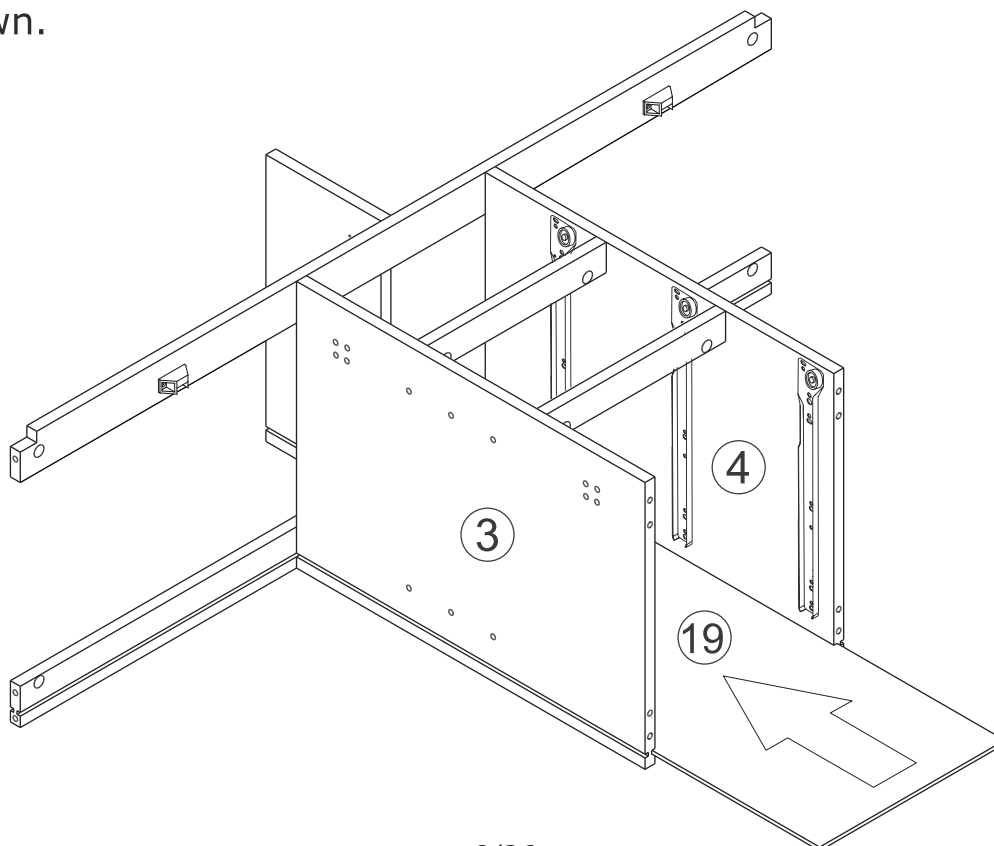
Attach plate 8 and 9 (assembled in step 1) to plate 3 and 4 with wooden dowel (G), then fix using screw (D) as shown.



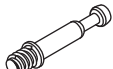

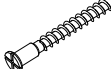

5

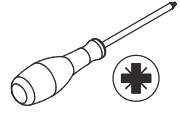


Slide plate 19 along grooves in plate 3 and 4 as shown.



6

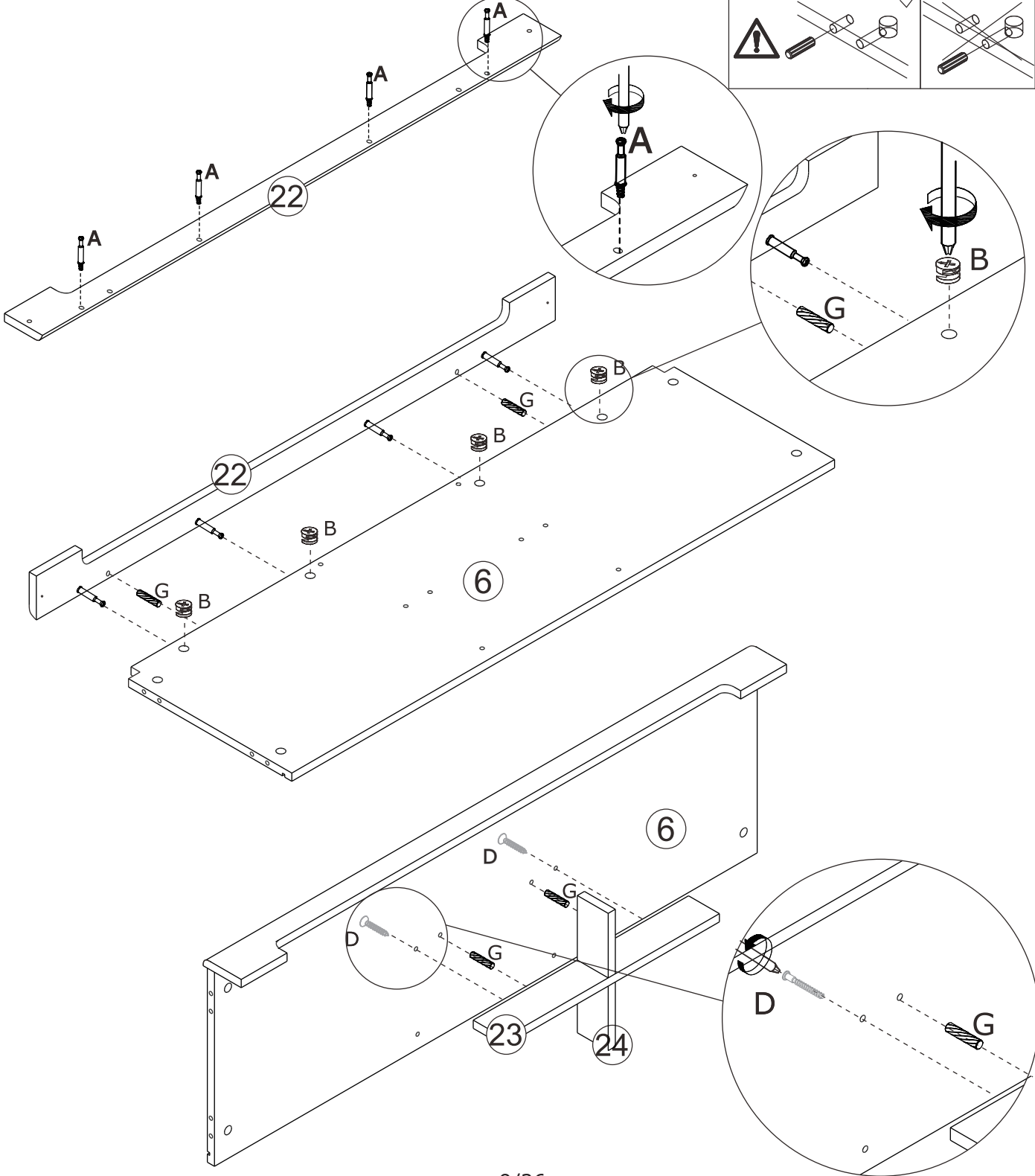
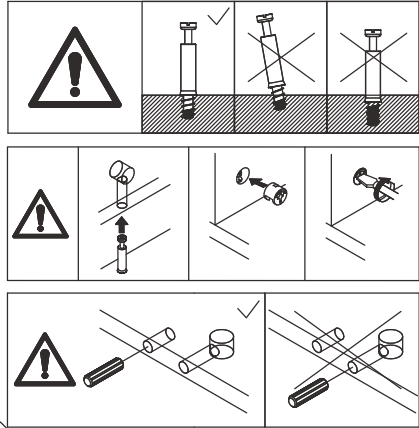
A x 4  Ø6x35mm	B x 4  Ø15x10mm	D x 2  Ø5x40mm	G x 4  Ø6x30mm
---	--	---	---





Insert quickfit screw(A) into corresponding holes in plate 22 as shown.

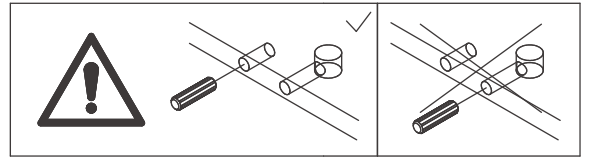
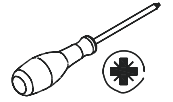
Attach plate 22 to plate 6 with wooden dowel(G), put cam lock(B) into holes in plate 6 and turn clockwise to tighten as shown.

Attach plate 23 and 24 to plate 6 with wooden dowel(G), then fix using screw(D) as shown.

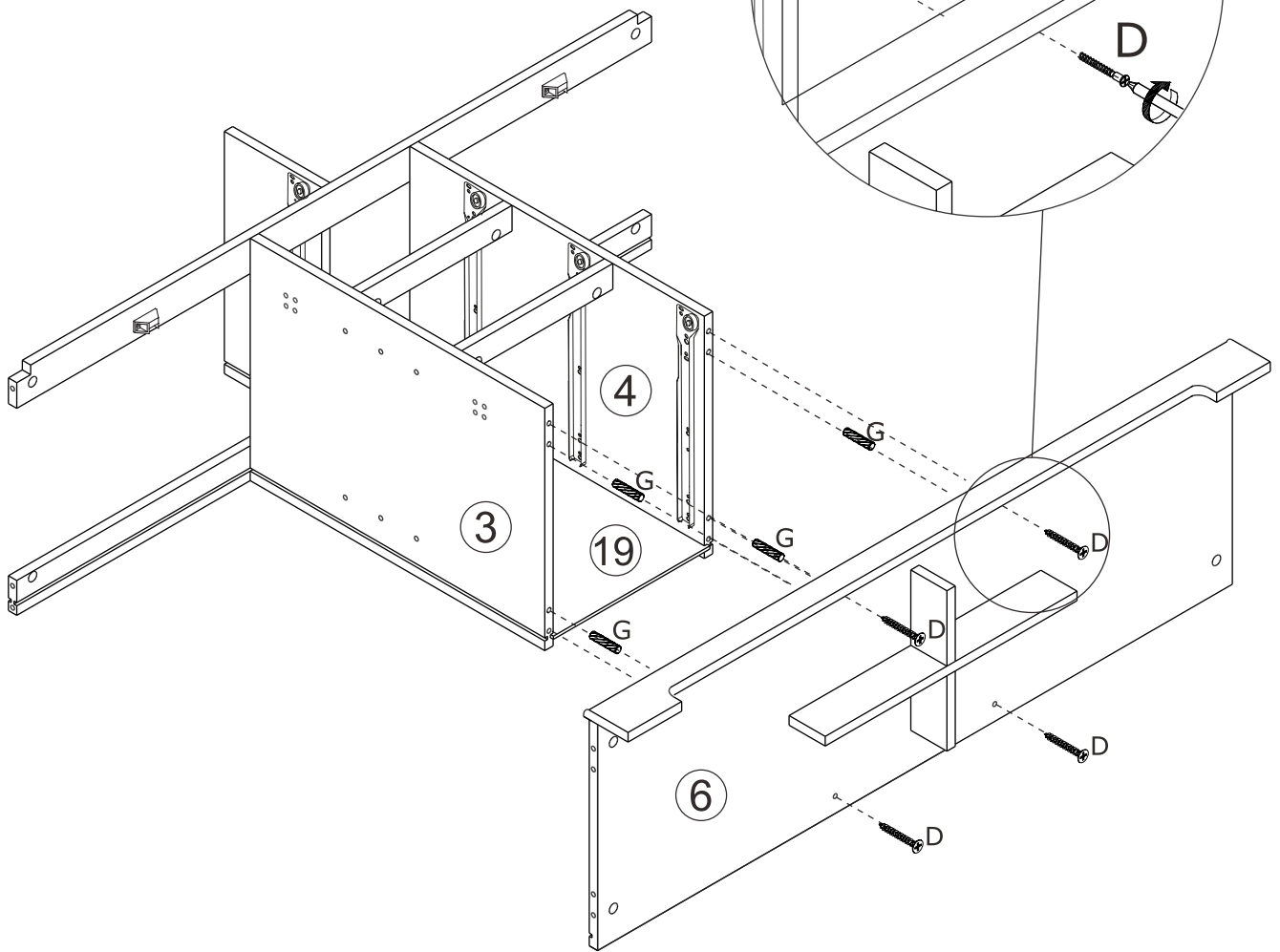


7

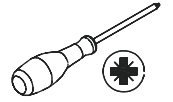
Dx4 	Gx4 
Ø5x40mm	Ø6x30mm



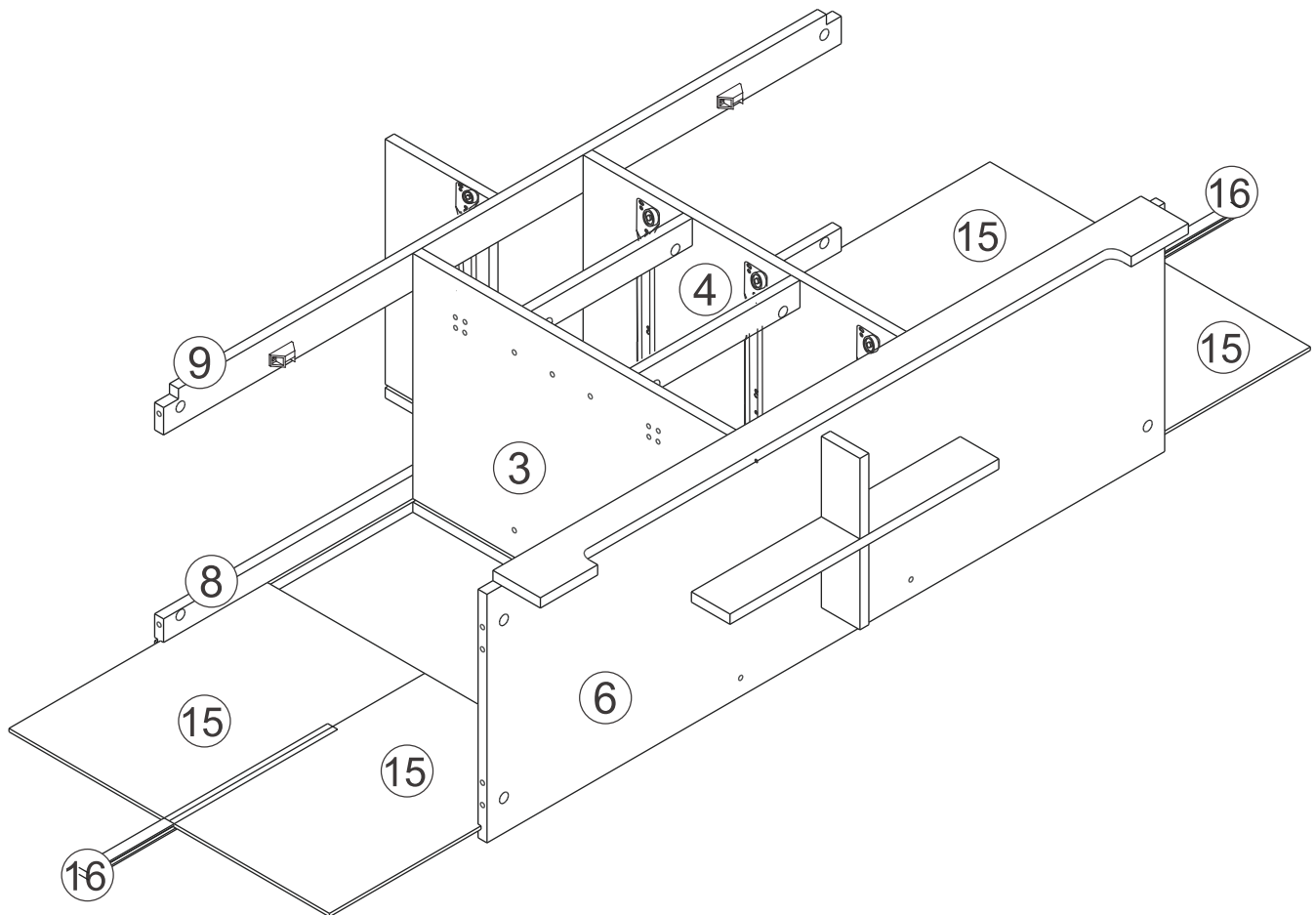
Connect the two components (assembled in step 5 and 6) with wooden dowel(G), then fix using screw(D) as shown.



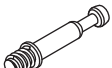




8

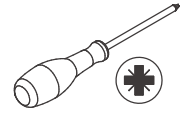


Connect each plate 15 with plastic bar 16 at first.
Slide plate 15 along grooves as shown.

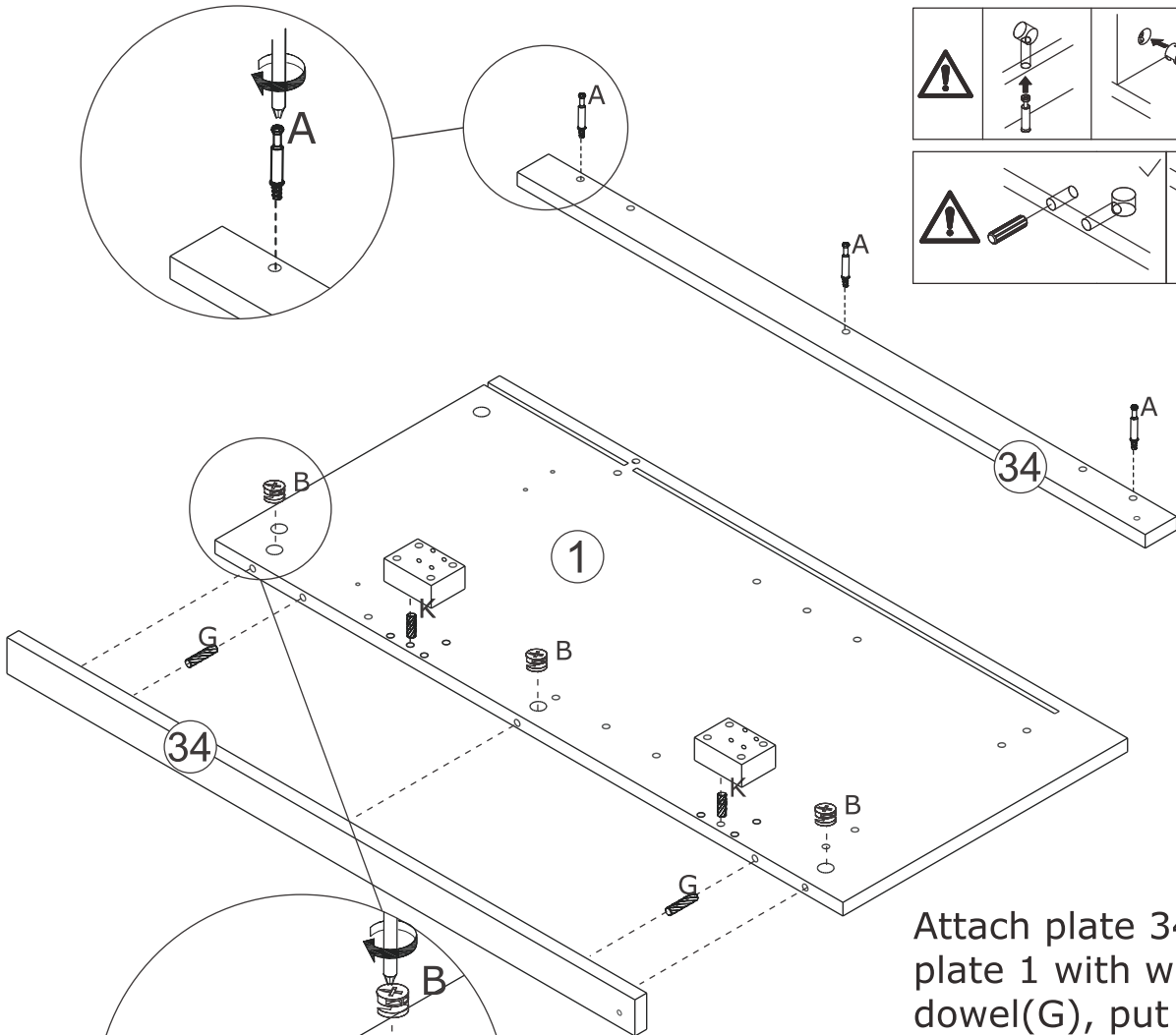
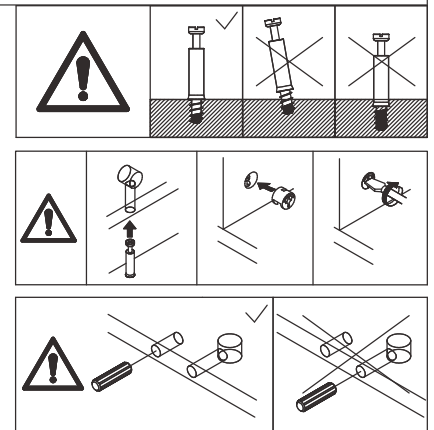


9

A x 3  Ø6x35mm	B x 3  Ø15x10mm	C x 10  Ø4x25mm	G x 2  Ø6x30mm	K x 4  Ø6x20mm
---	--	--	---	---

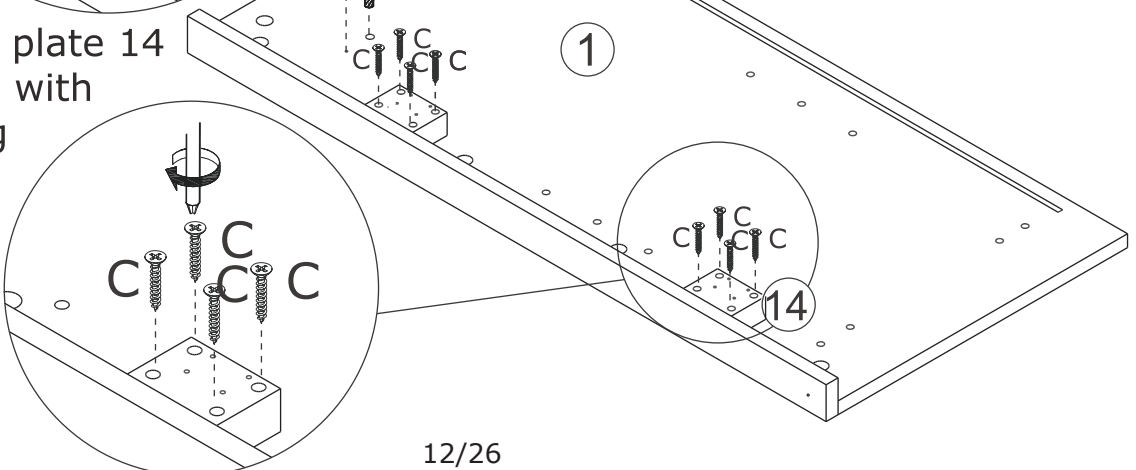


Insert quickfit screw(A) into corresponding holes in plate 34 as shown.

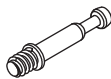






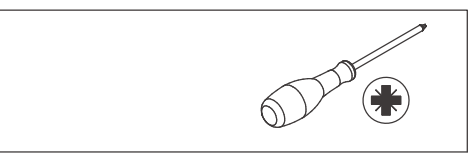
Attach plate 34 to plate 1 with wooden dowel(G), put cam lock(B) into holes in plate 1 and turn clockwise to tighten as shown.

Connect two plate 14 and plate 12 with plate 1 using wooden dowel(K) at first, then fix using screw(C) as shown.

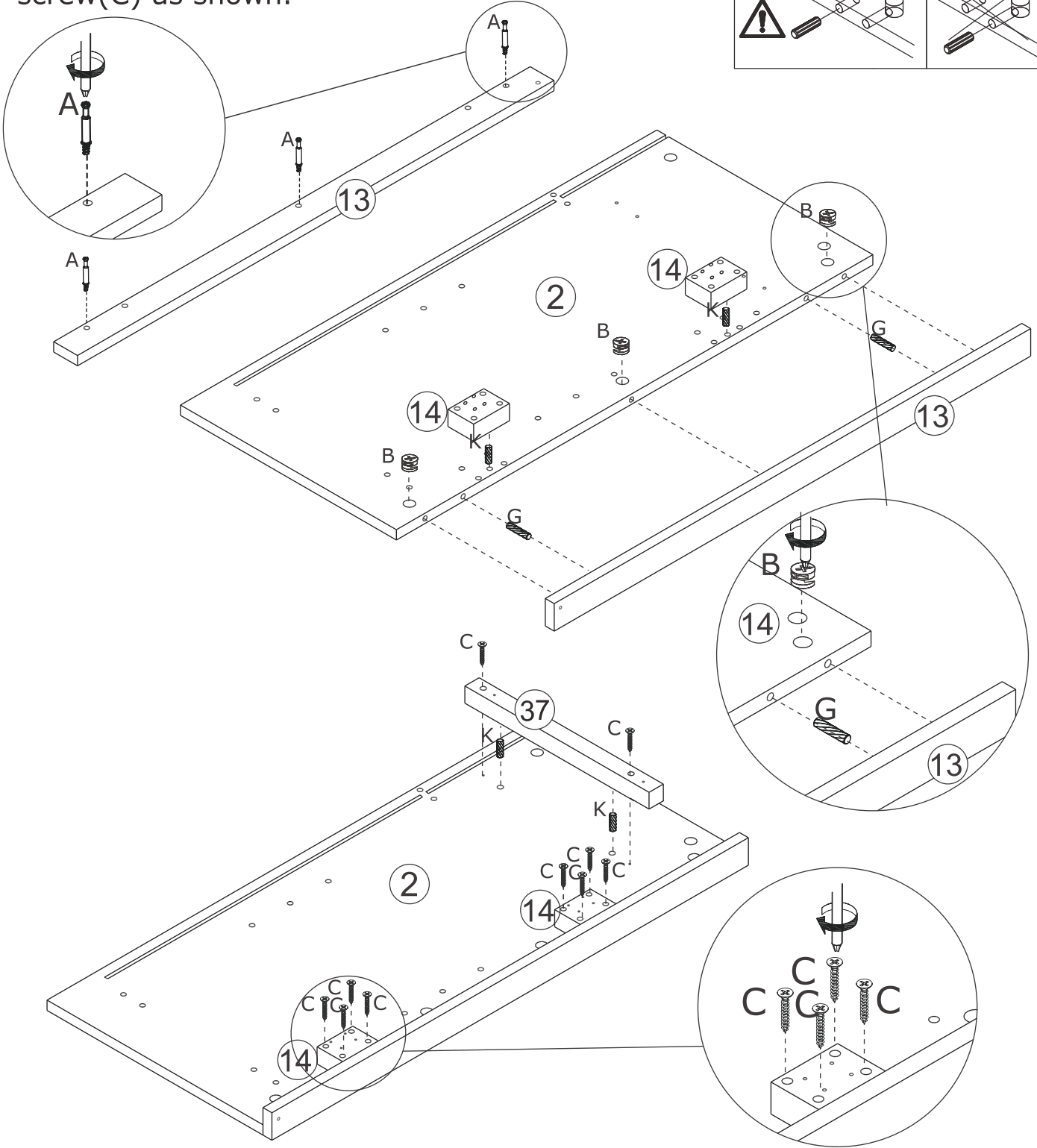
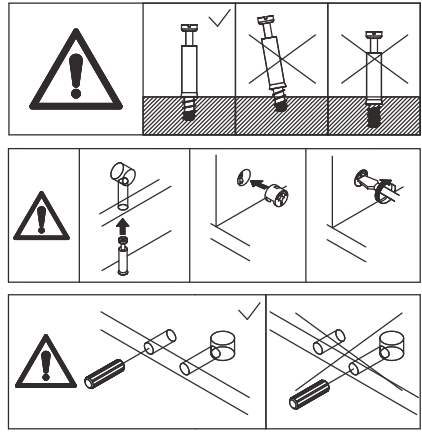


10

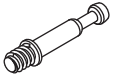

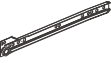
A x 3  Ø6x35mm	B x 3  Ø14x9mm	C x 10  Ø4x25mm	G x 2  Ø6x30mm	K x 4  Ø6x20mm
---	---	--	---	---

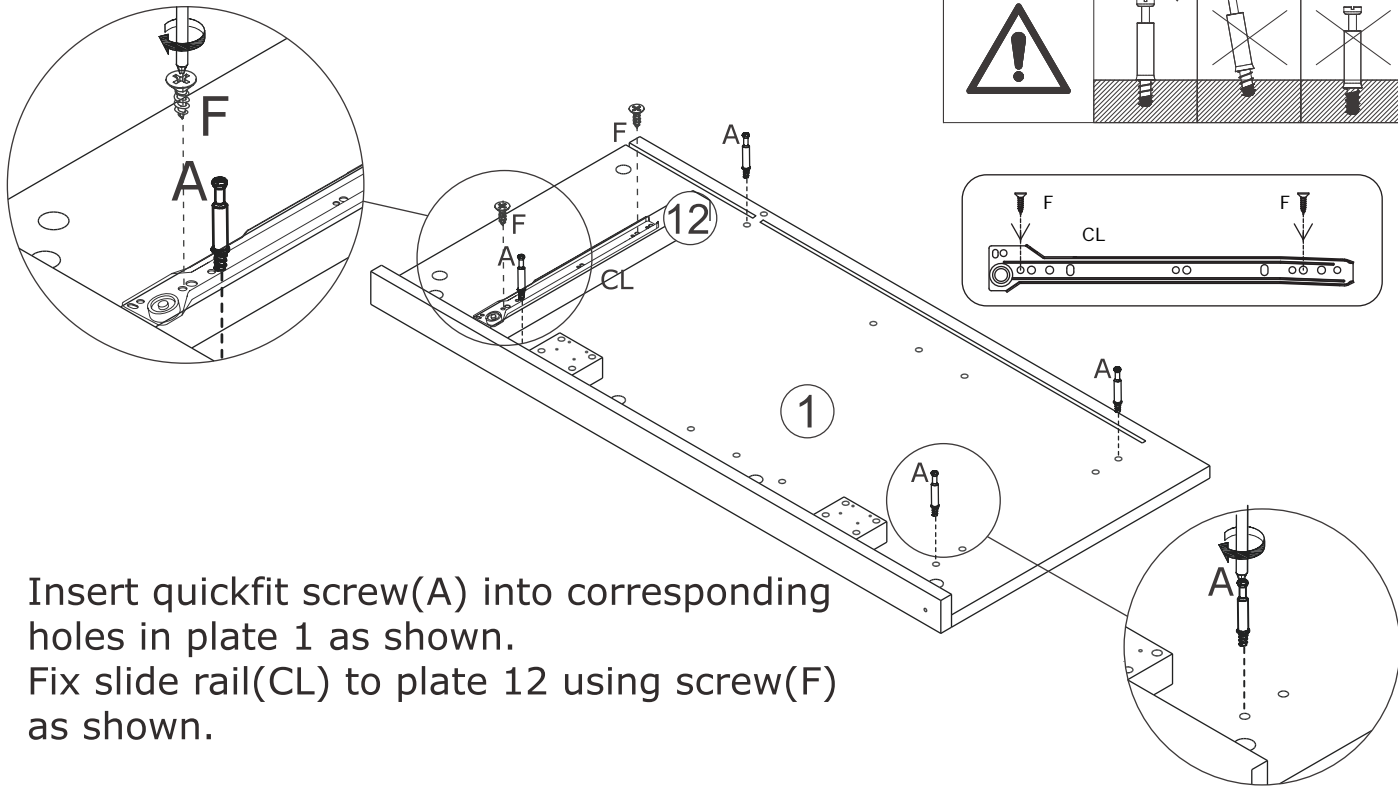
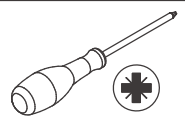


Insert quickfit screw(A) into corresponding holes in plate 13 as shown.
Attach plate 13 to plate 2 with wooden dowel(G), put cam lock(B) into holes in plate 2 and turn clockwise to tighten as shown.
Connect two plate 14 and plate 37 with plate 2 using wooden dowel(K) at first, then fix using screw(C) as shown.



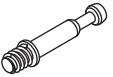


11

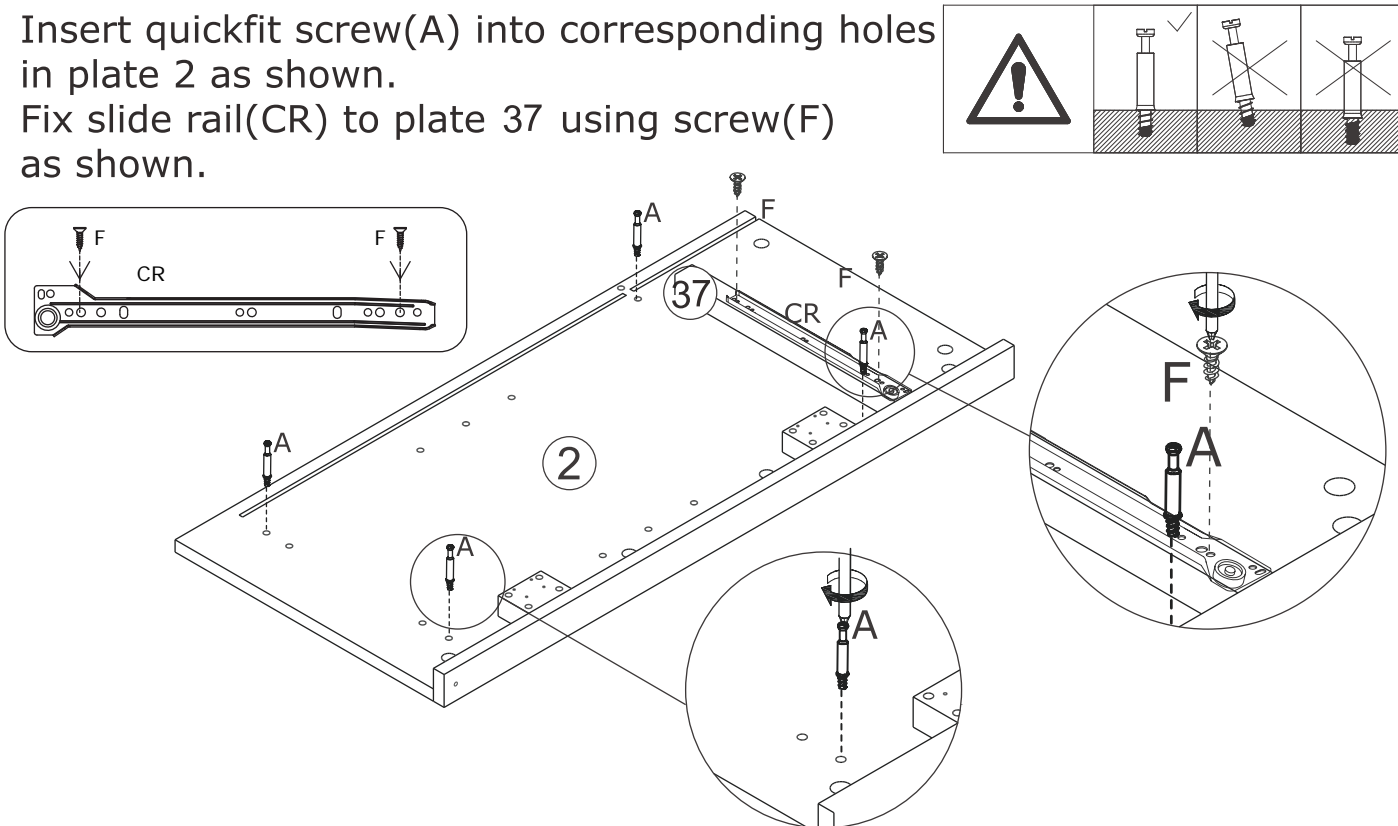
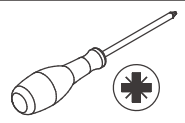
A x 4  Ø6x35mm	F x 2  Ø3.5x12mm	CL x 1 
---	---	---



Insert quickfit screw(A) into corresponding holes in plate 1 as shown.
Fix slide rail(CL) to plate 12 using screw(F) as shown.



12

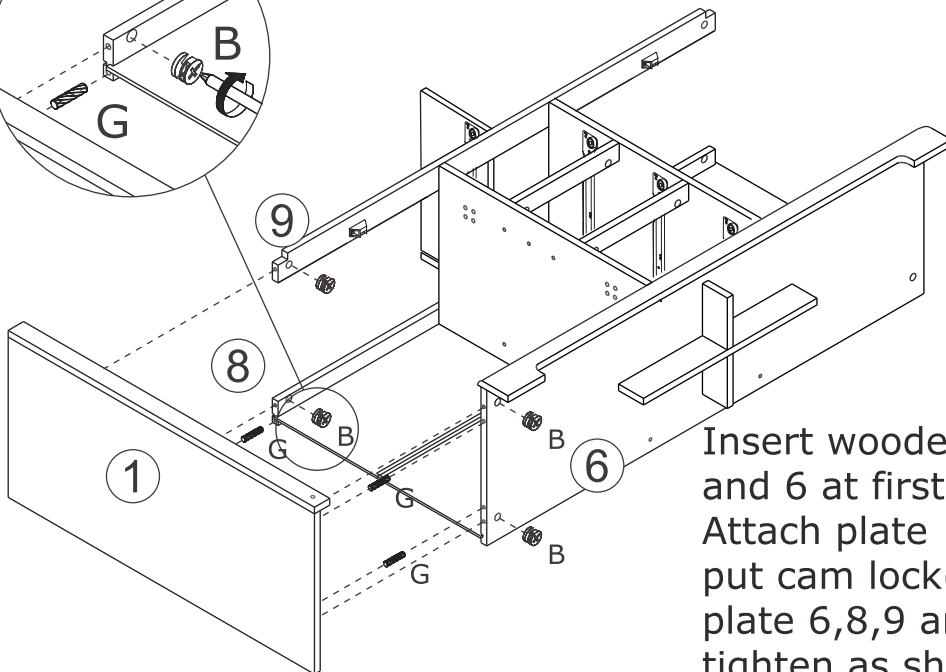
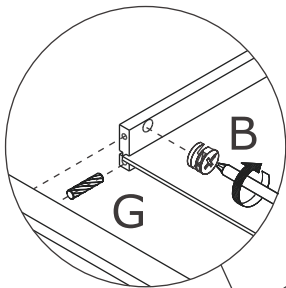
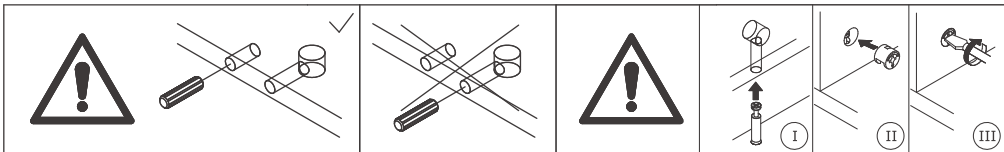
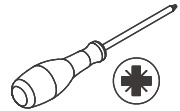
A x 4  Ø6x35mm	F x 2  Ø3.5x12mm	CR x 1 
---	---	---



Insert quickfit screw(A) into corresponding holes in plate 2 as shown.
Fix slide rail(CR) to plate 37 using screw(F) as shown.



13

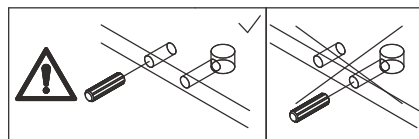
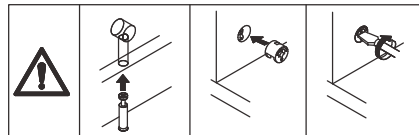
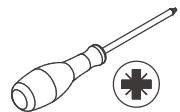
B x 4  Ø15x10mm	G x 3  Ø6x30mm
--	---



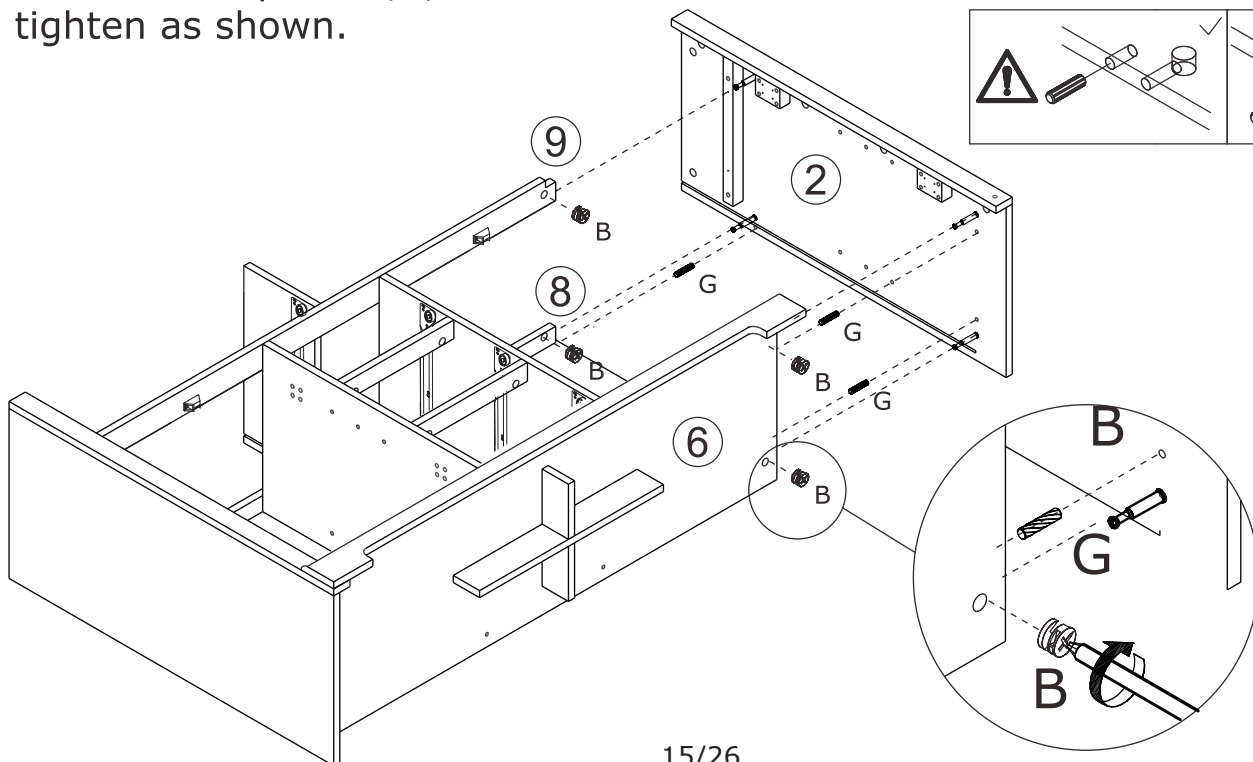
Insert wooden dowel(G) to plate 8 and 6 at first.
Attach plate 1 to plate 6,8 and 9, put cam lock(B) into holes in plate 6,8,9 and turn clockwise to tighten as shown.

14

B x 4  Ø15x10mm	G x 3  Ø6x30mm
--	---



Insert wooden dowel(G) to plate 8 and 6 at first.
Attach plate 2 to plate 6,8 and 9, put cam lock(B) into holes in plate 6,8,9 and turn clockwise to tighten as shown.

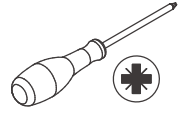


15

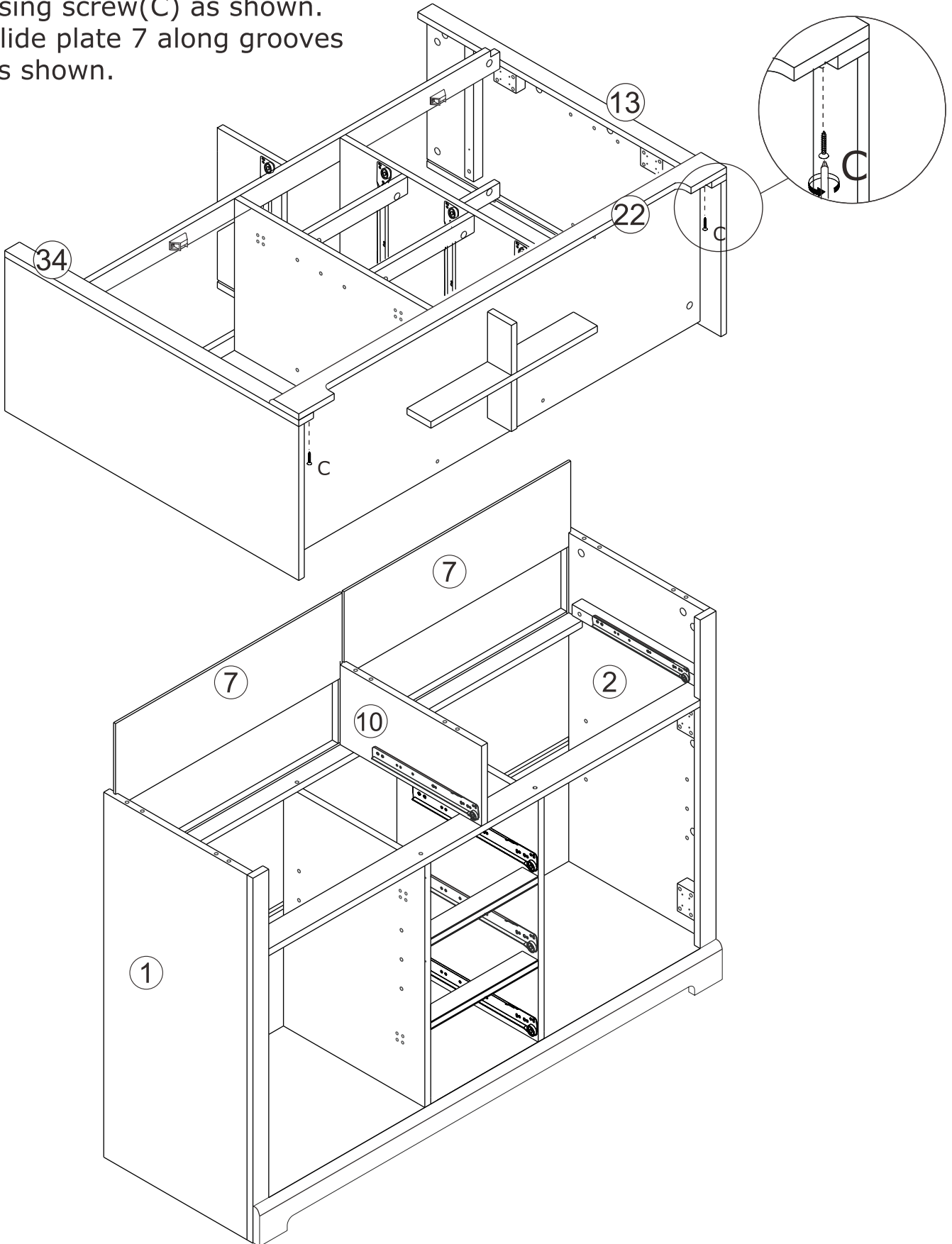
C x 2



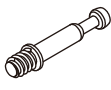


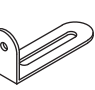



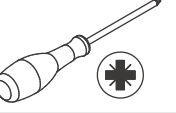
Ø4x25mm



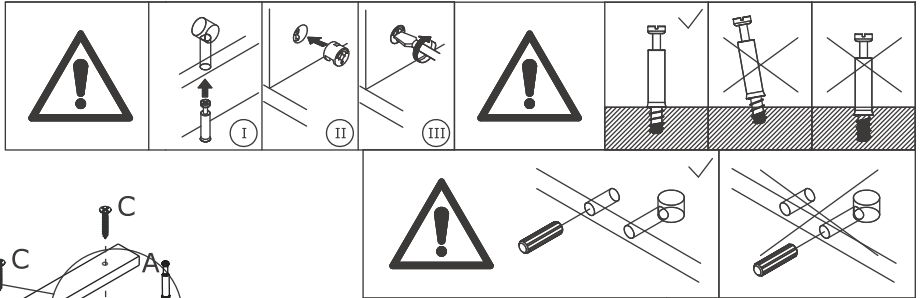
Fix plate 22 to plate 13 and 34 using screw (C) as shown. Slide plate 7 along grooves as shown.



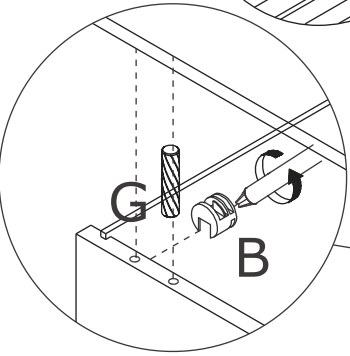
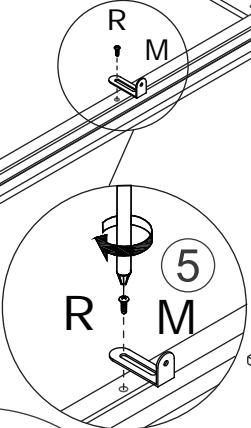
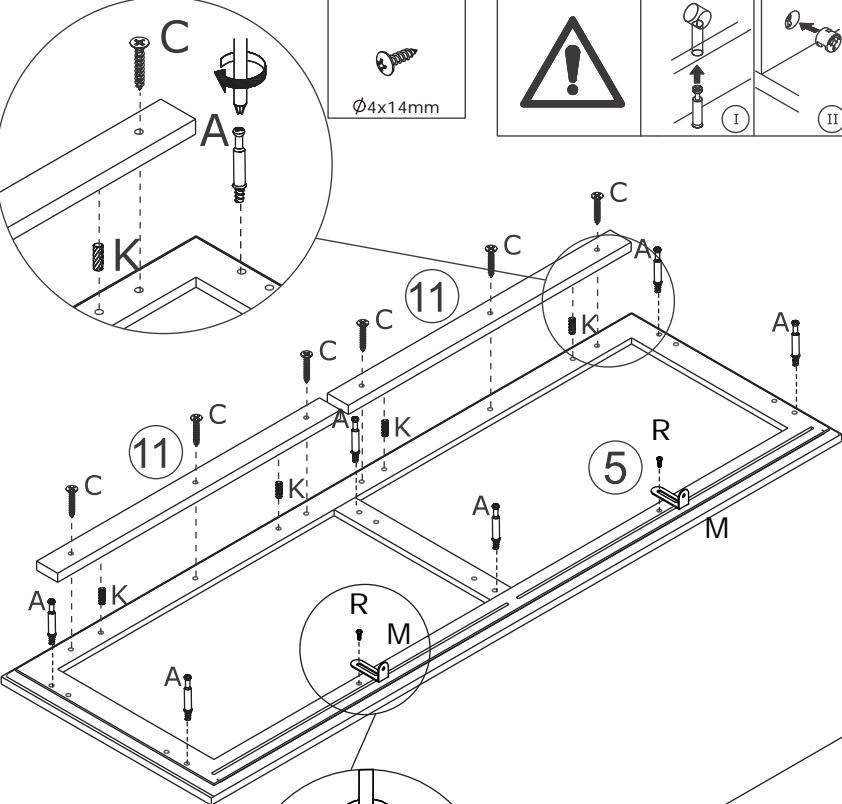
16

A x 6  Ø6x35mm	B x 6  Ø15x10mm	C x 6  Ø4x25mm	M x 2 	G x 6  Ø6x30mm	K x 4  Ø6x20mm	Q x 8 	
--	---	--	---	--	--	---	--

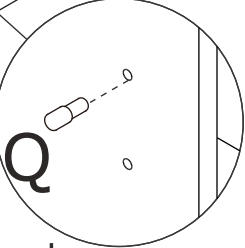
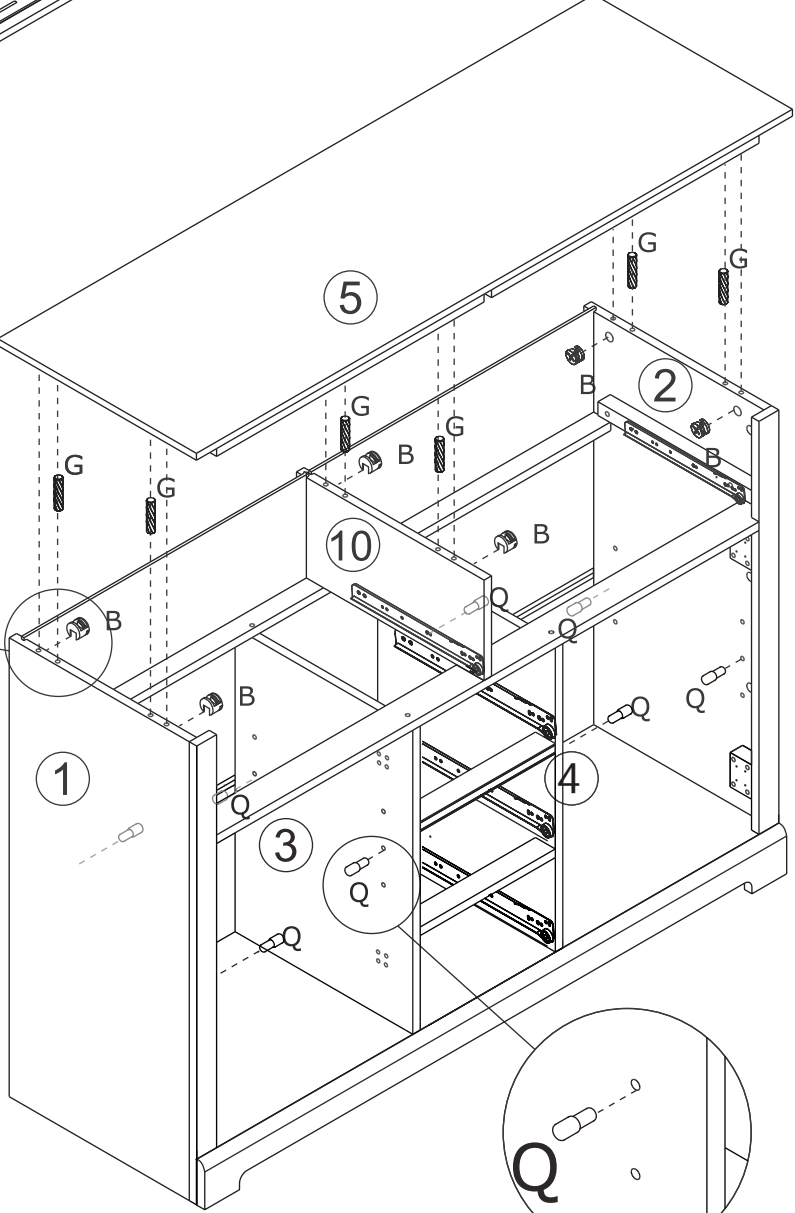
R x 2  Ø4x14mm



Insert quickfit screw(A) into corresponding holes in plate 5 as shown. Attach two plate 11 to plate 5 with wooden dowel(K), then fix using screw(C) as shown.

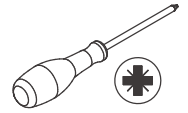


Cover plate 5 to the top with wooden dowel(G), put cam lock(B) into holes in plate 1,10,2 and turn clockwise to tighten as shown. Insert part(Q) into plate 1,3,4 and 2 as shown.

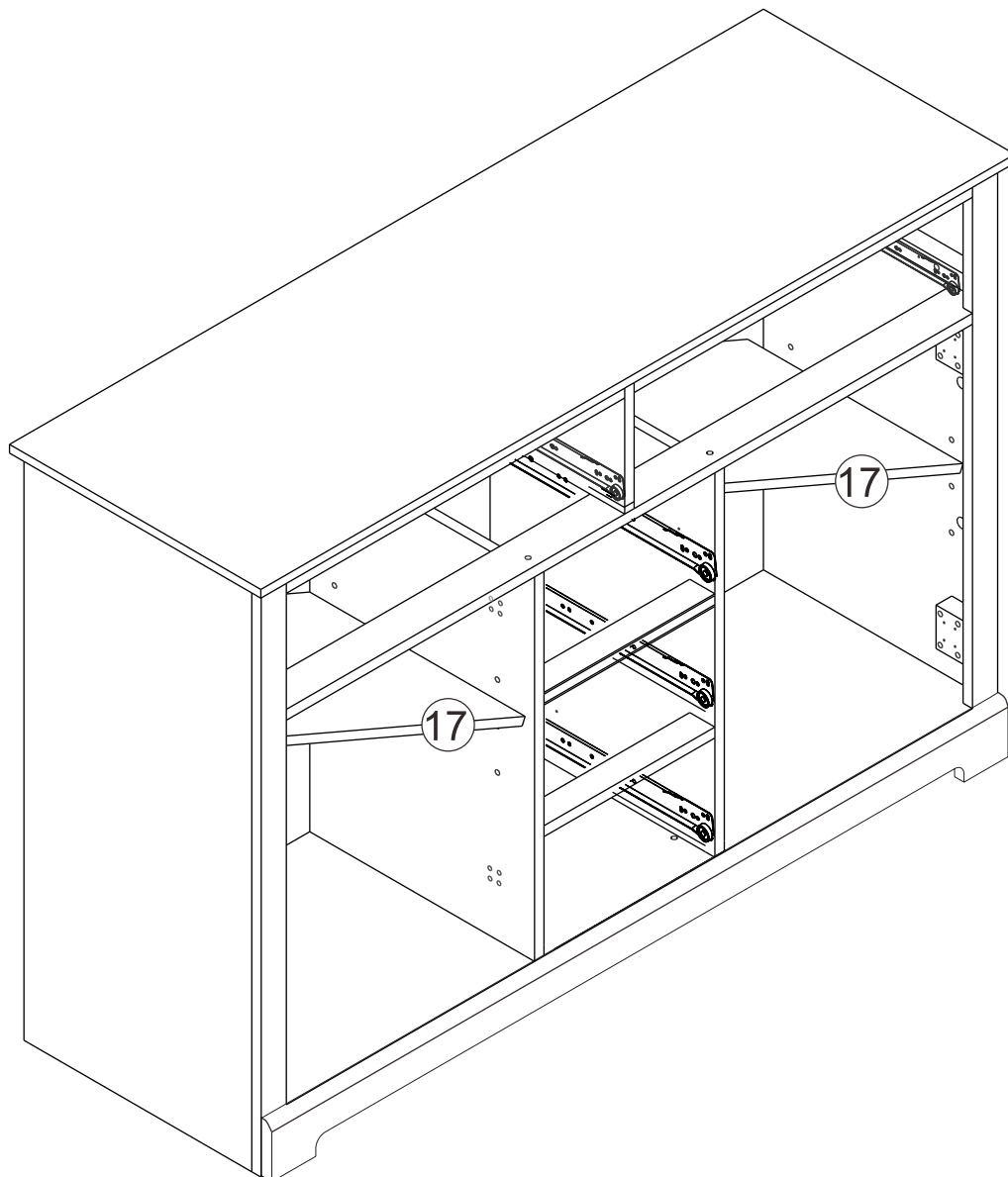


Fix anti-tipping device(M) to plate 5 using screw(R) as shown.





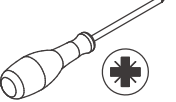
17



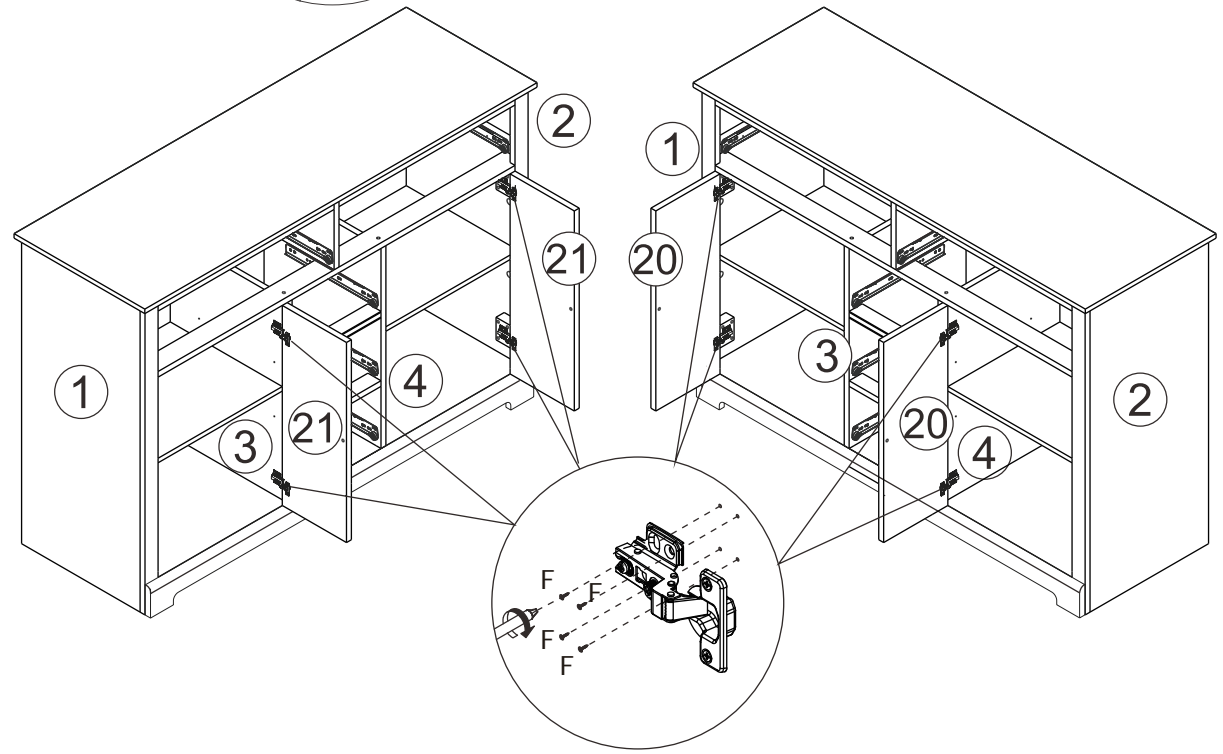
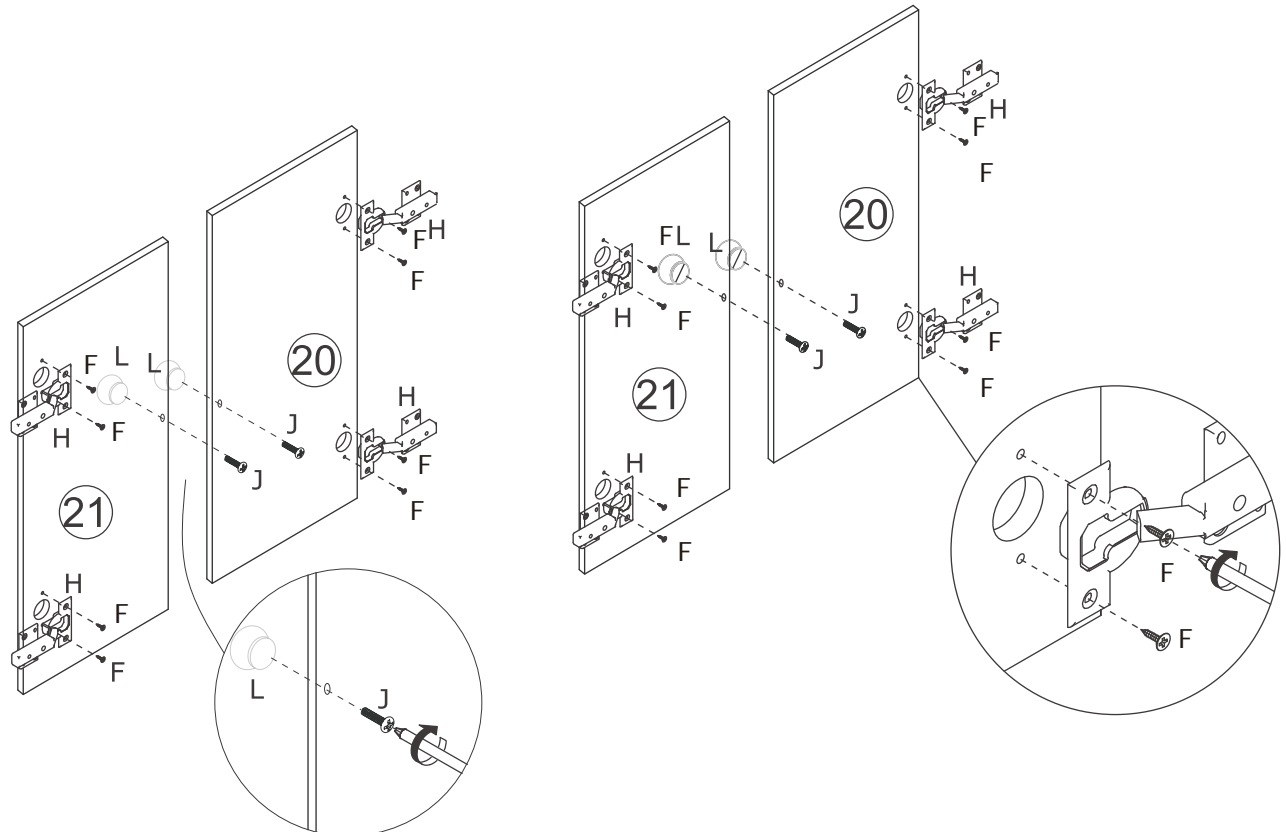
Place shelf 17 in as shown.



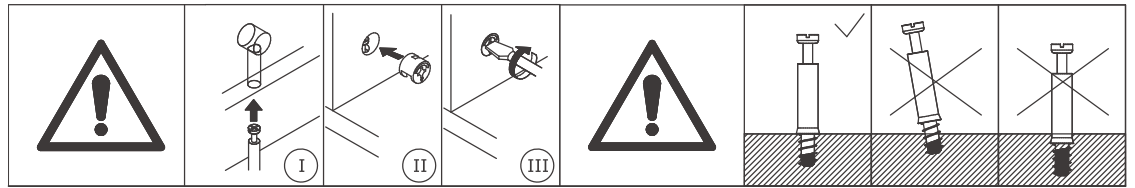
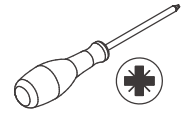
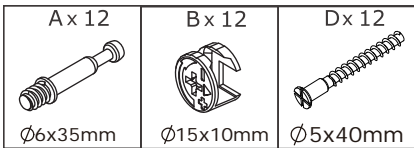
18

F x 48  Ø3.5x12mm	H x 8 	L x 4 	J x 4  Ø4x18mm	
--	--	--	---	---

Fix hinge(H) to plate 20(x2) and 21(x2) using screw(F) as shown.
Fix knob(L) to four door plates using screw(J) as shown.
Fix door plate 20 to plate 1 and 4 by fixing hinge using screw(F) as shown.
Fix door plate 21 to plate 2 and 3 by fixing hinge using screw(F) as shown.



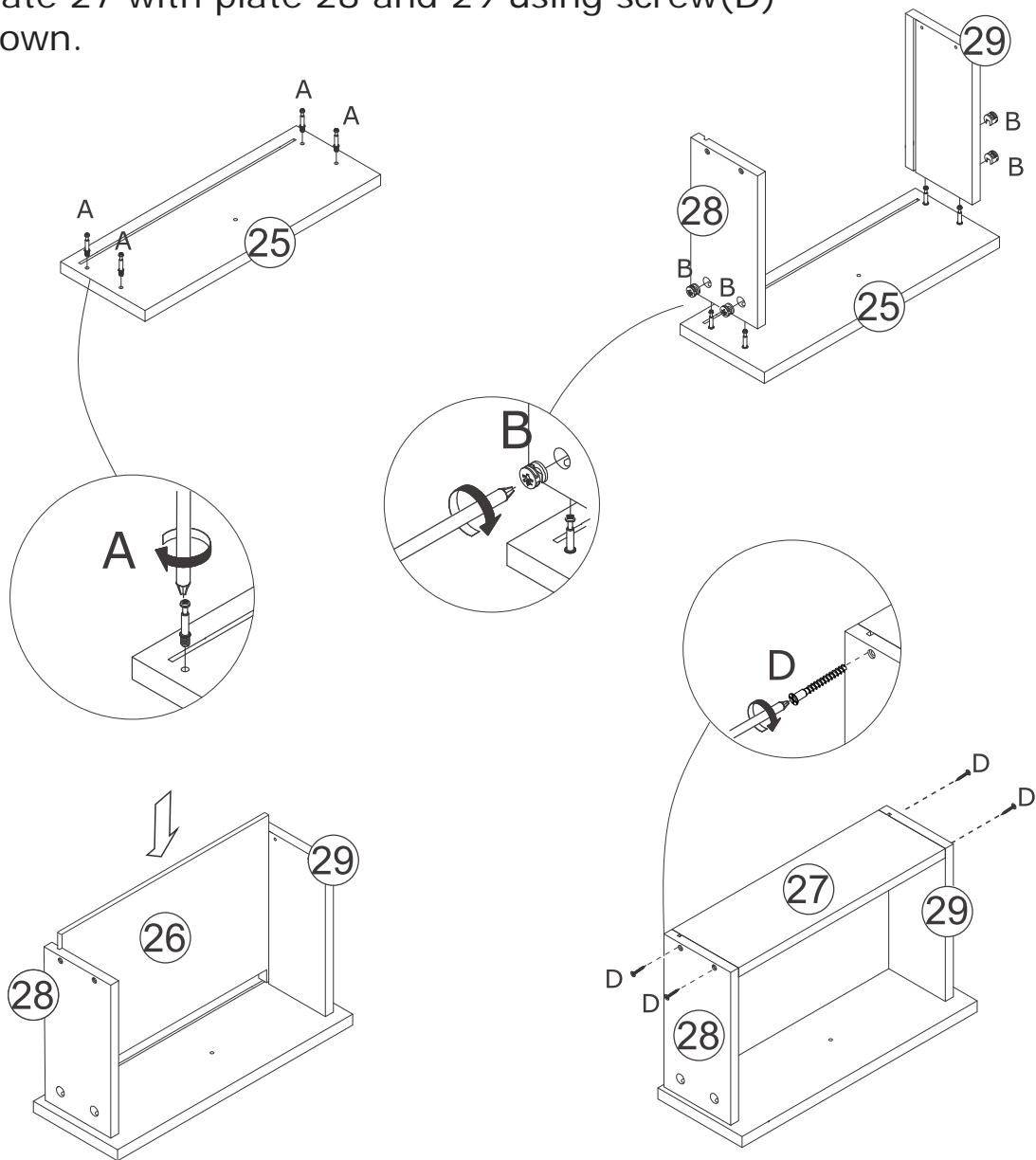
19



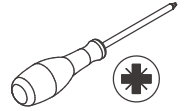
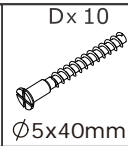
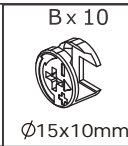
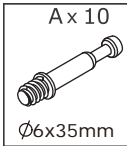
Insert quickfit screw(A) into plate 25 as shown.
Attach plate 28 and 29 to plate 25, put cam lock(B) into holes and turn clockwise to tighten as shown.

Slide plate 26 along grooves as shown.

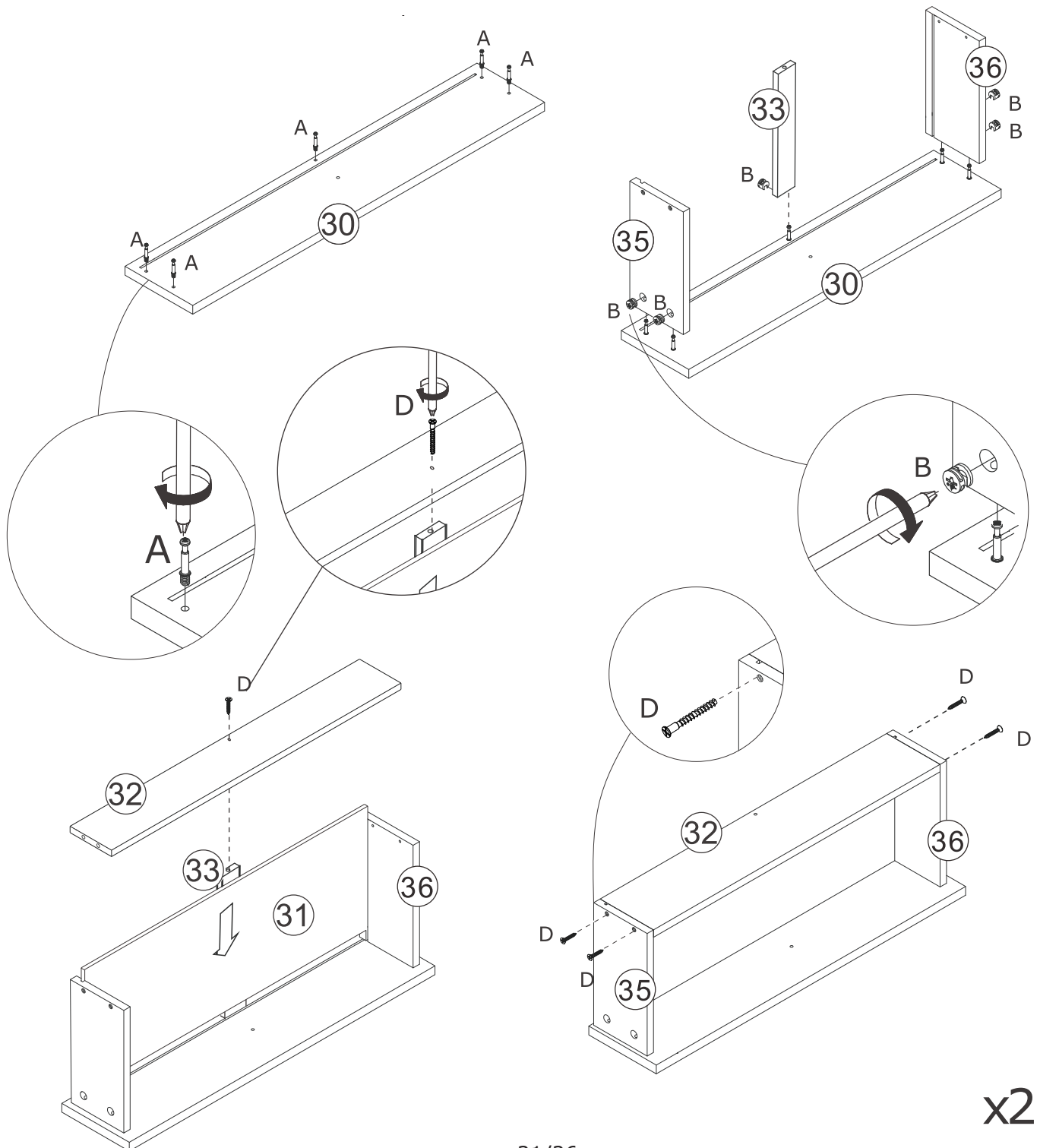
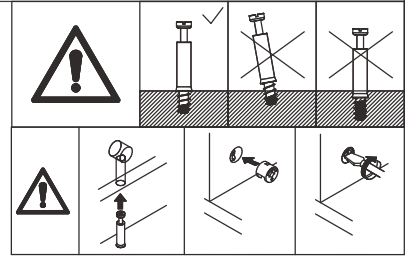
Fix plate 27 with plate 28 and 29 using screw(D) as shown.



20

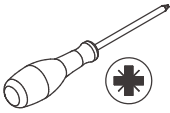
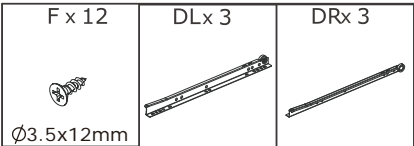


Insert quickfit screw(A) into plate 30 as shown. Attach plate 35,33 and 36 to plate 30, put cam lock(B) into holes and turn clockwise to tighten as shown. Slide plate 31 along grooves as shown. Fix plate 32 with plate 35,33 and 36 using screw(D) as shown.

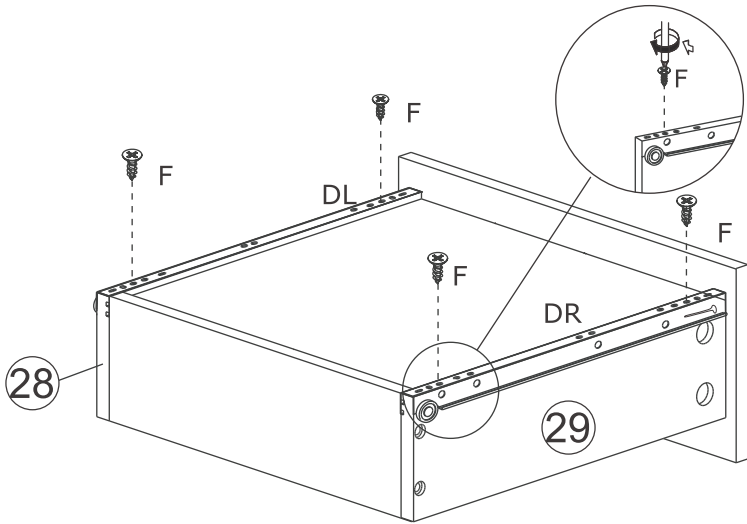
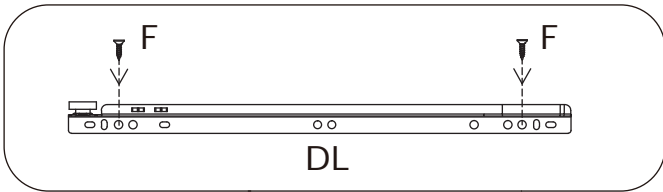


x2

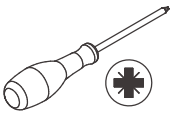
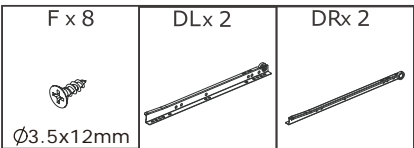
21



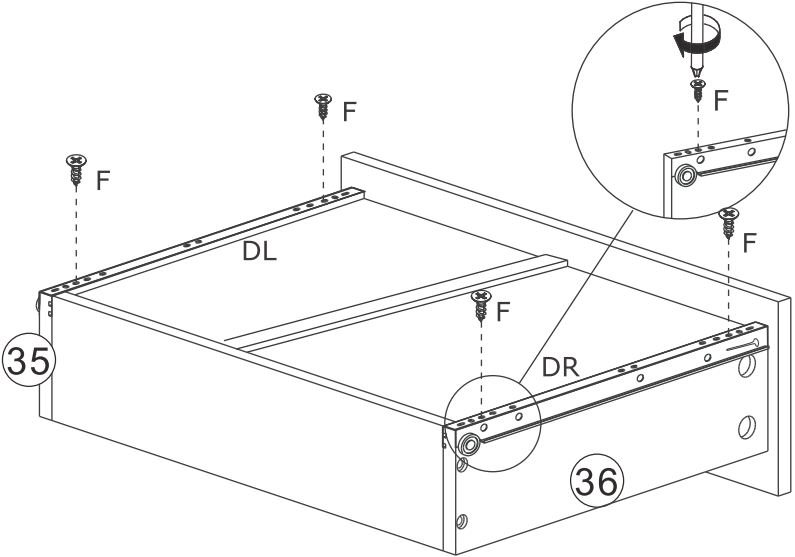
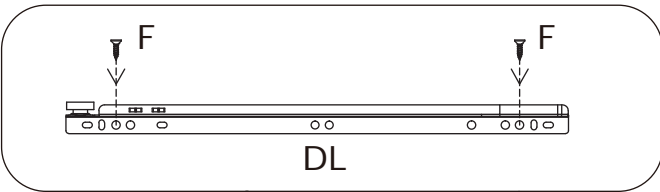
Fix runner(DL) and (DR) to plate 28 and 29 respectively using screw(F) as shown.





22

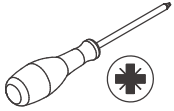


Fix runner(DL) and (DR) to plate 35 and 36 respectively using screw(F) as shown.

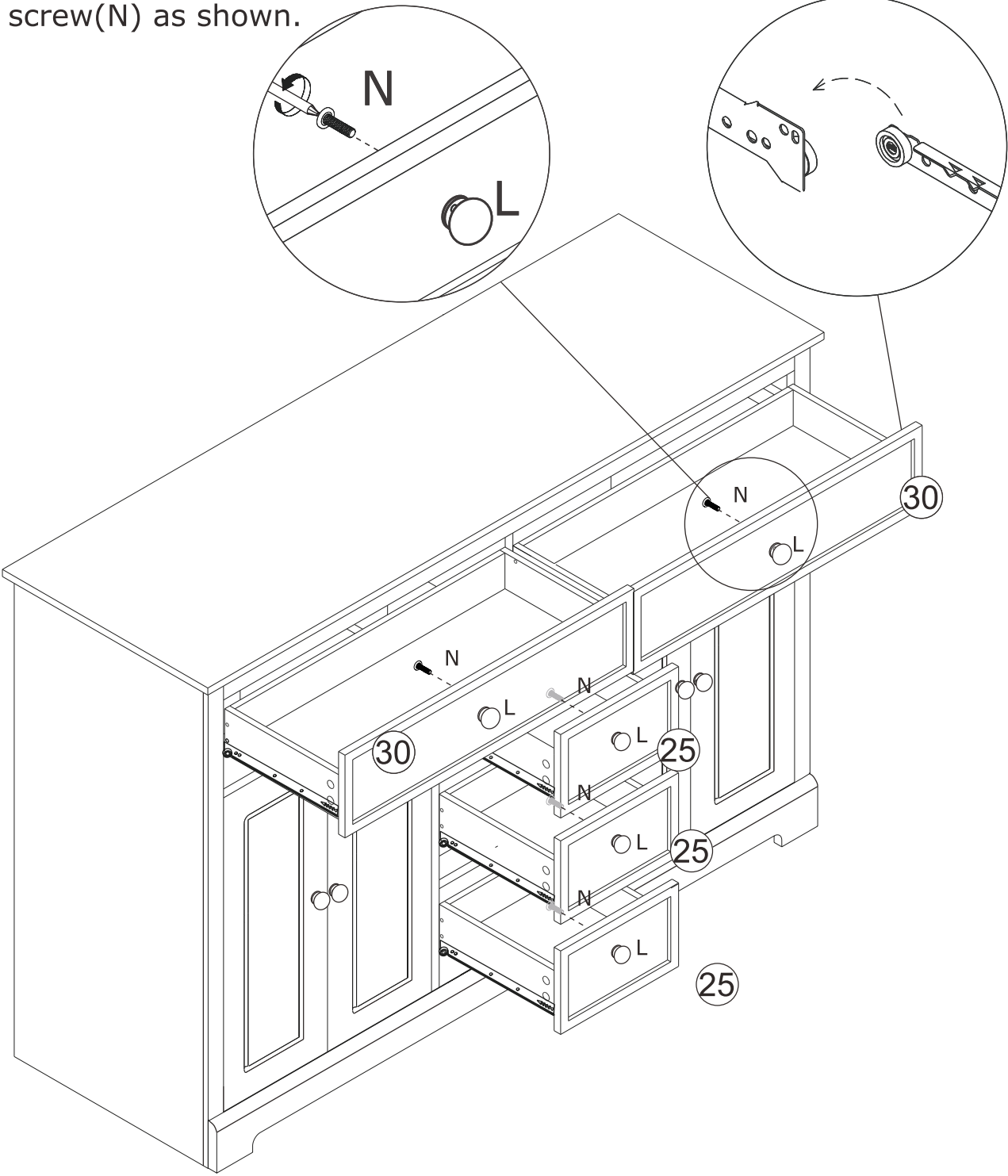


23

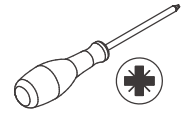
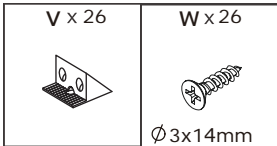
L x 5	N x 5
	
	Ø 4x12mm



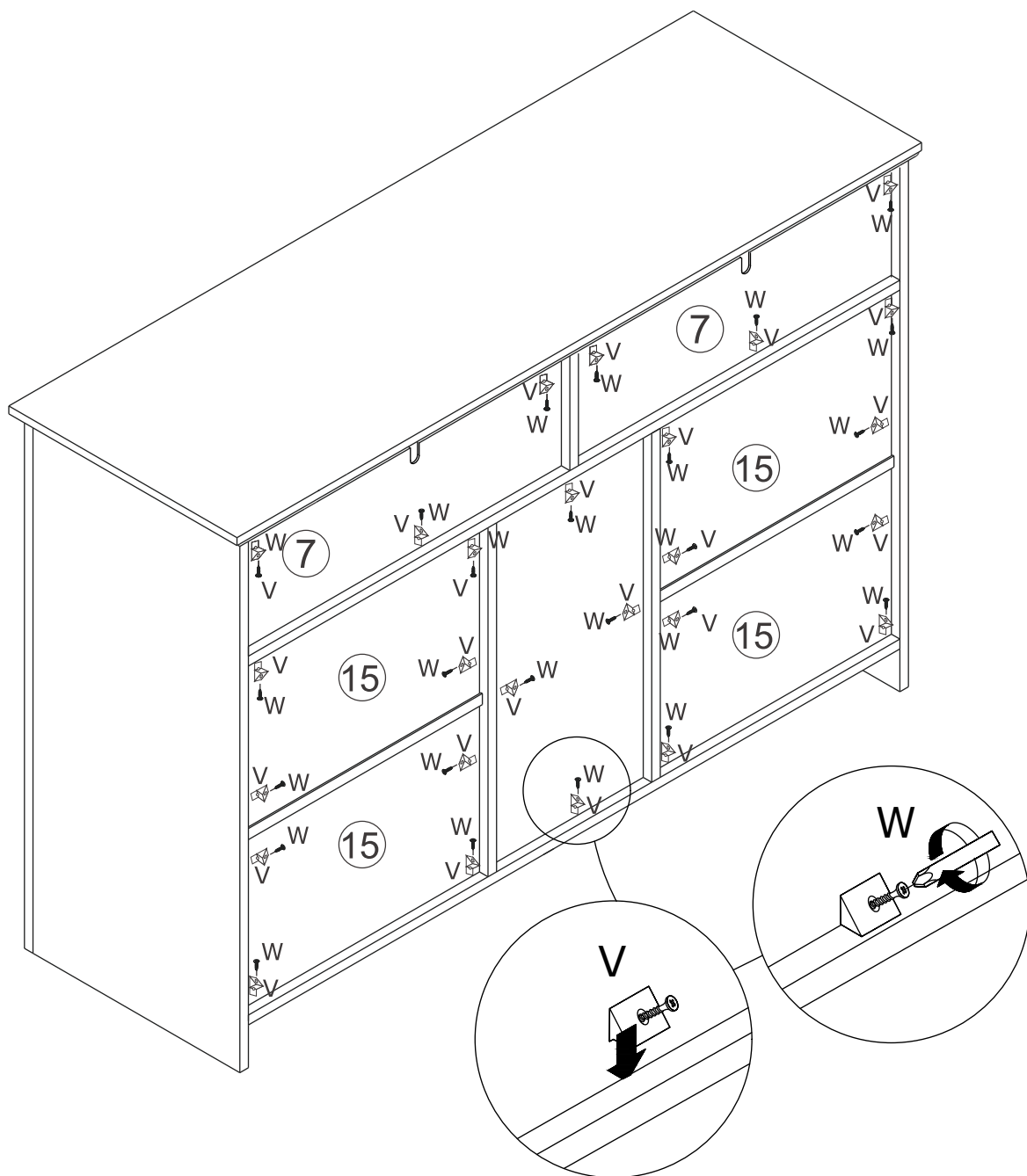
Fix knob(L) to each drawer using screw(N) as shown.



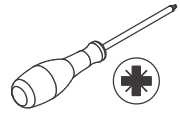
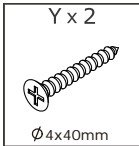
24



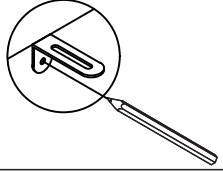
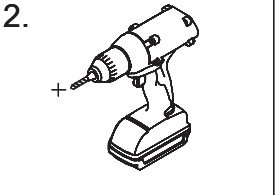
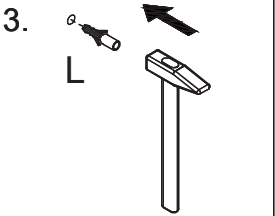
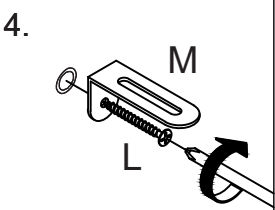
Reinforce back plate using part(W) with screw(V) as shown.

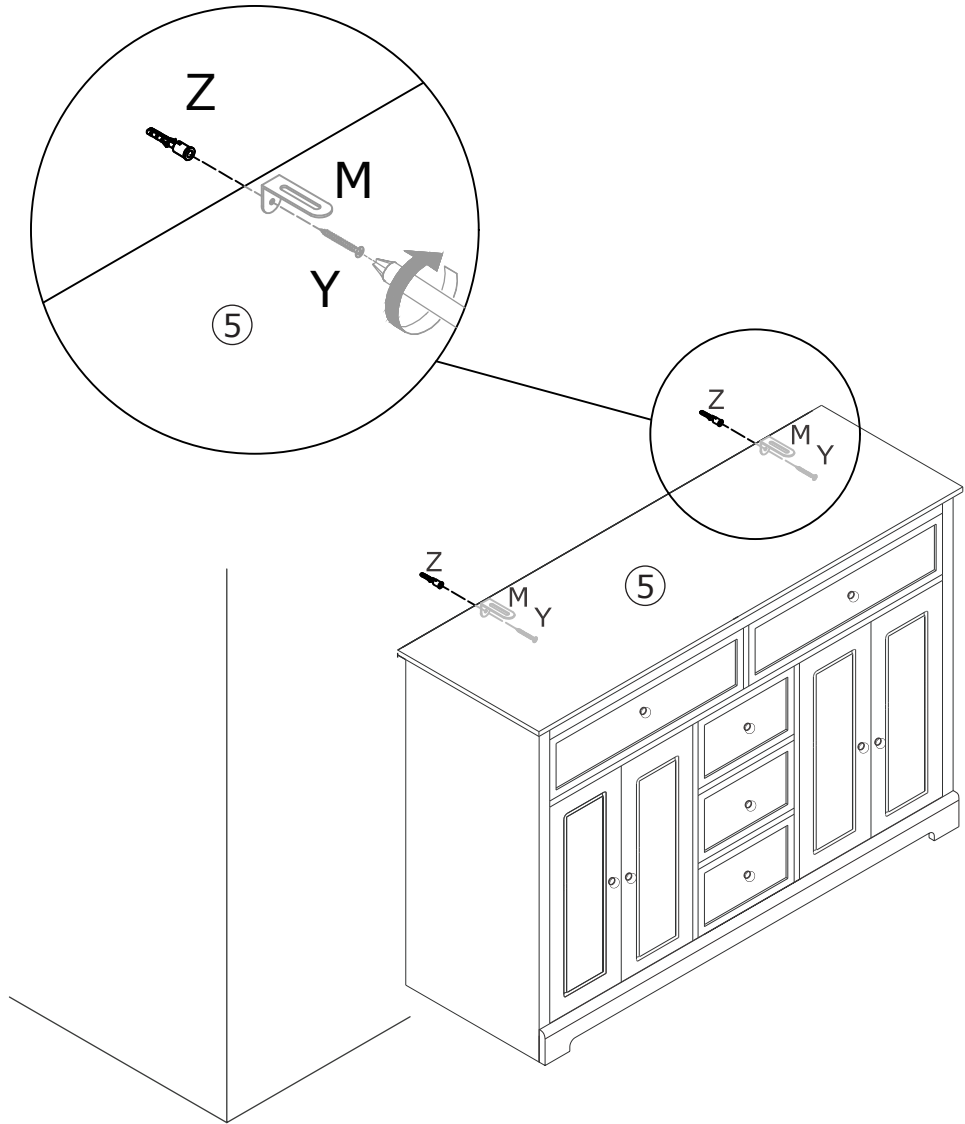


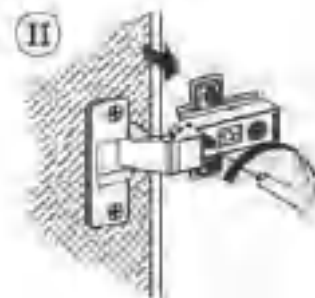
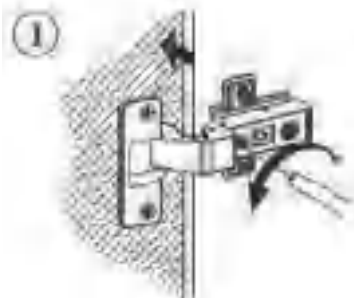
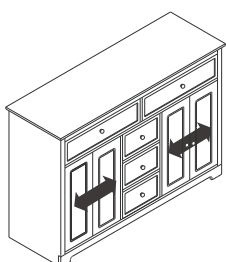
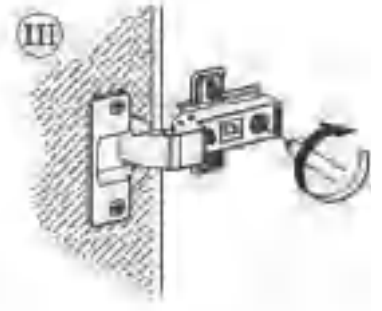
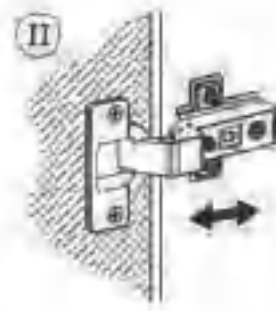
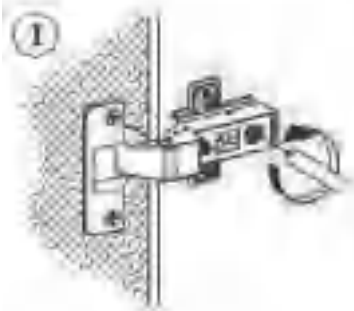
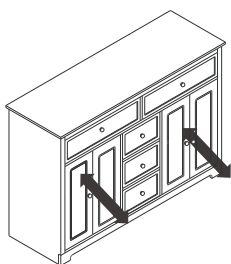
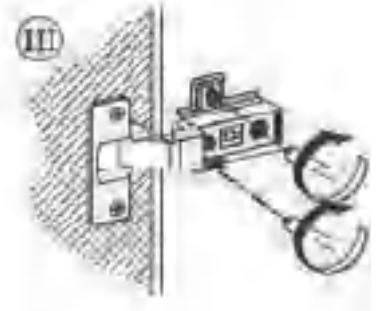
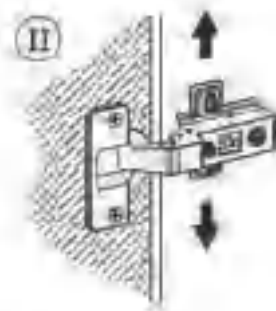
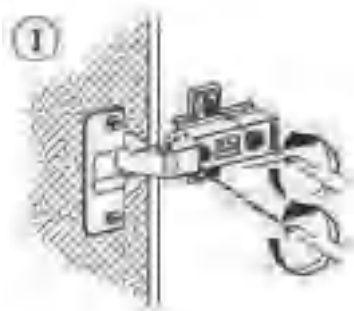
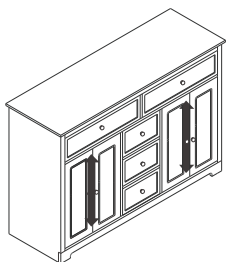
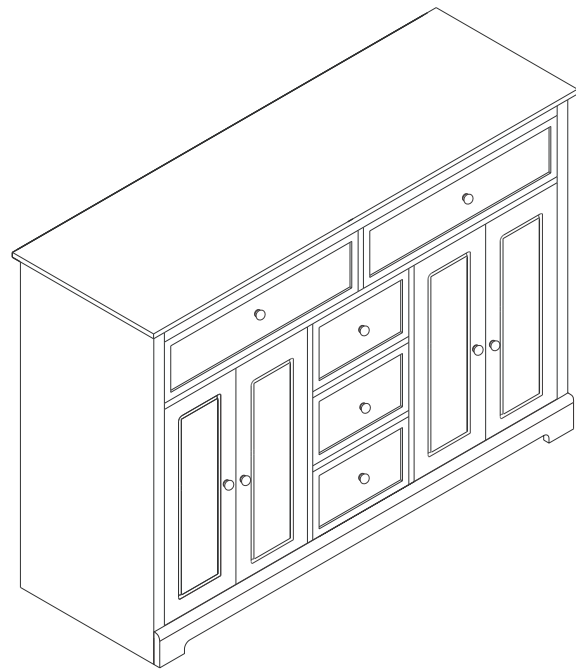
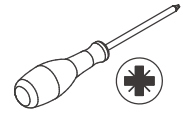
25



Install anti-tipping device as shown.

1. 
2. 
3. 
4. 





WARRANTY

WARRANTY CLAIMS

- There is a 30-day warranty for broken furniture or any other problems that do not work properly. The warranty will start from the date of purchase which must be verified by proof of purchase.
- Before making a claim, we may be able to answer your query, simply call us. Please leave your purchase order number, along with some details of the problem, if you want a replacement part. We will arrange within 48 hours. If there is out of stock, we will reply with a shipping date.
- The product must be used in accordance with the instructions provided. For health reasons.
- For other reasons, if the furniture needs to be returned, it must be cleaned and dried and operated within 30 days of receipt.

Type of Warranty Claim

- Failure to follow the furniture instructions will invalidate the warranty. Attention please.
- Does not include damage during installation, but includes damage during transportation.

Scope of responsibility

- Shall not bear any responsibility for misuse or user damage and / or loss of parts during the installation of furniture.
- After using, the damage and scratches of the furniture are not covered by the warranty.

The Warranty Relates to All Bought in The Us and Covers The Following Areas

- Sheet parts: 1 month from the date of purchase.
- Electrical parts: 1 month from the date of purchase.

RETURNS

CHANGED YOUR MIND AND NEED TO RETURN YOU ITEM?

PLEASE FOLLOW THE BELOW INSTRUCTIONS:

- If you have purchased and have simply changed your mind, follow the retailer's instructions for returns.

DEFECTIVE ITEMS

- If your item is defective in any way, i.e. it doesn't work but you can't identify why, in the first instance, please call us.

DAMAGED ITEMS

- If you receive an order with obvious shipping damage from the retailer, then we suggest the delivery is refused. If the delivery has been accepted and then shipping damage is found, please follow the specific instructions advised by the retailer.
In all circumstances please save all packaging material and paperwork for the order. Please be aware that if you dispose of packaging material or attempt to return the merchandise without contacting the fulfiller, you jeopardise your chances of making a claim, and you may not receive a credit for the return.