

BEFORE INSTALLATION

- To insure proper installation, please read the following instructions carefully.
- Please make sure that the water supply has been shut off at the stop valve.
- Parlos® reserves the right to update product without notice.

If you have any question or need help, please visit **PARLOS®** website <http://www.parlos.com>

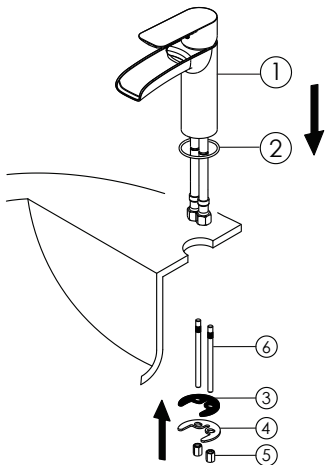


Installation Requirements

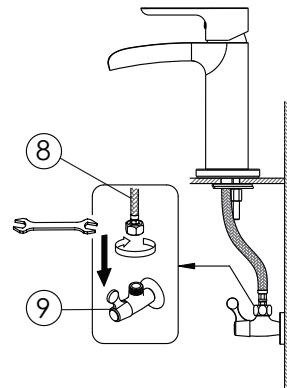
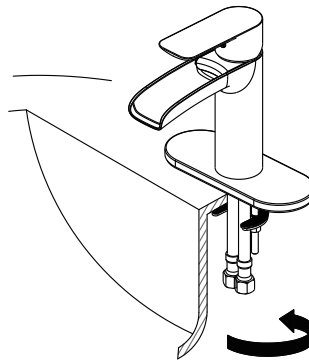
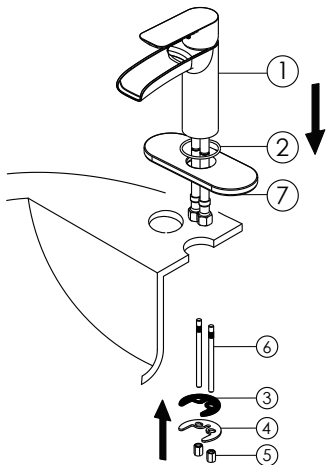
Max deck thickness: 1.57 Inches

Hole size: 1.18-1.38 Inches

Single Hole



3-Hole



1. Install Gasket ② onto Faucet Body ①. Slide single hole faucet through the sink mounting hole.

Note: Escutcheon ⑦ is included for 3-Hole applications.

2. Place Stainless Steel Washer ④ and Rubber Washer ③ onto Mounting Studs ⑥ under the sink, and tighten the Mounting Nuts ⑤ securely as shown.

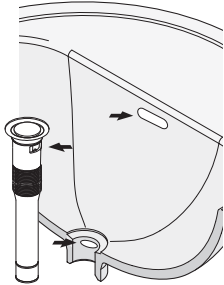
3. Connect and screw on the Supply Hoses ⑧ to Valves ⑨.

4. Turn on faucet to check for leaks.

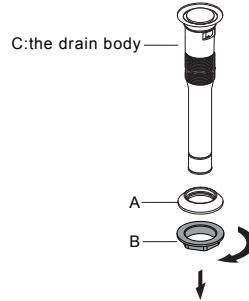


NOTES:

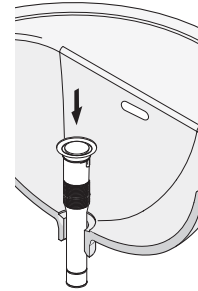
- Fits for sink WITH overflow hole.
- Clean the sink hole, make sure to remove debris.
- Please avoid using plumber's putty. The seal on top is leak-free. Plumber's putty might cause damage.
- Silicone and plumbing tape can be used for sealing requirement.



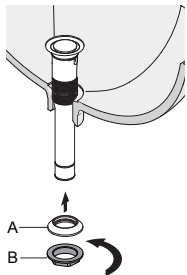
1. Unscrew components A & B to the seal.



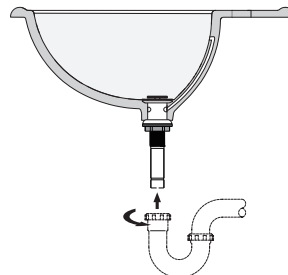
2. Slide the drain body C through the hole in the sink.



3. Screw components A & B back on as shown.



4. Connect the rear end of the drain to the Drain Pipe.



5. Push to activate.

