

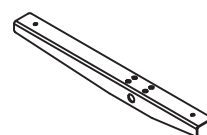
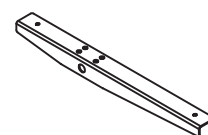
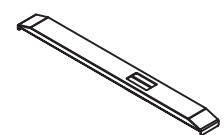
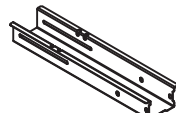
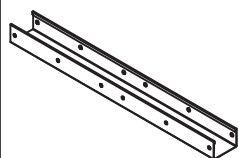
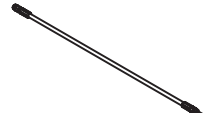
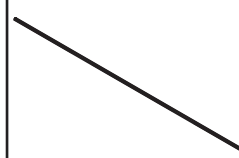
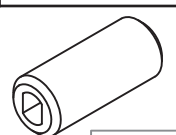
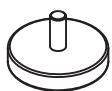
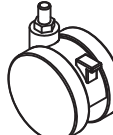

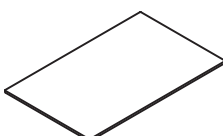
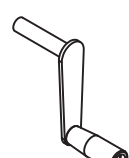







High Speed Crank Desk

# PARTS INCLUDED NOT TO SCALE

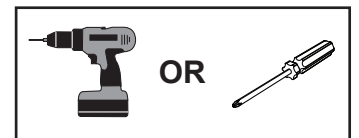
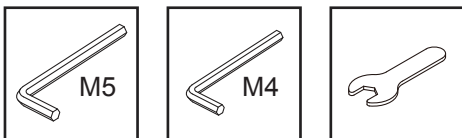
<b>A</b> QTY: 1 	<b>B</b> QTY: 1 	<b>C</b> QTY: 1 	<b>D</b> QTY: 1 	<b>E</b> QTY: 2 
<b>F</b> QTY: 2 	<b>G</b> QTY: 1 	<b>H</b> QTY: 1 	<b>I</b> QTY: 1 	<b>J</b> QTY: 2 
<b>K</b> QTY: 4 	<b>L</b> QTY: 2 	<b>M</b> QTY: 2 	<b>N</b> QTY: 1*  <b>Ships separate box</b>	<b>O</b> QTY: 1 

# HARDWARE INCLUDED NOT TO SCALE, COLOR MAY VARY

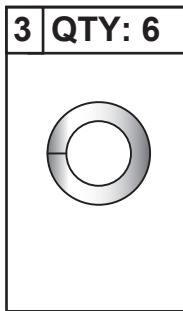
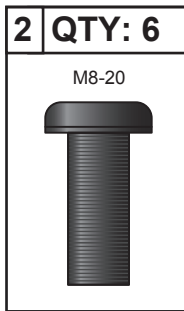
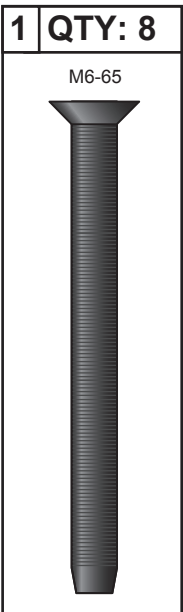
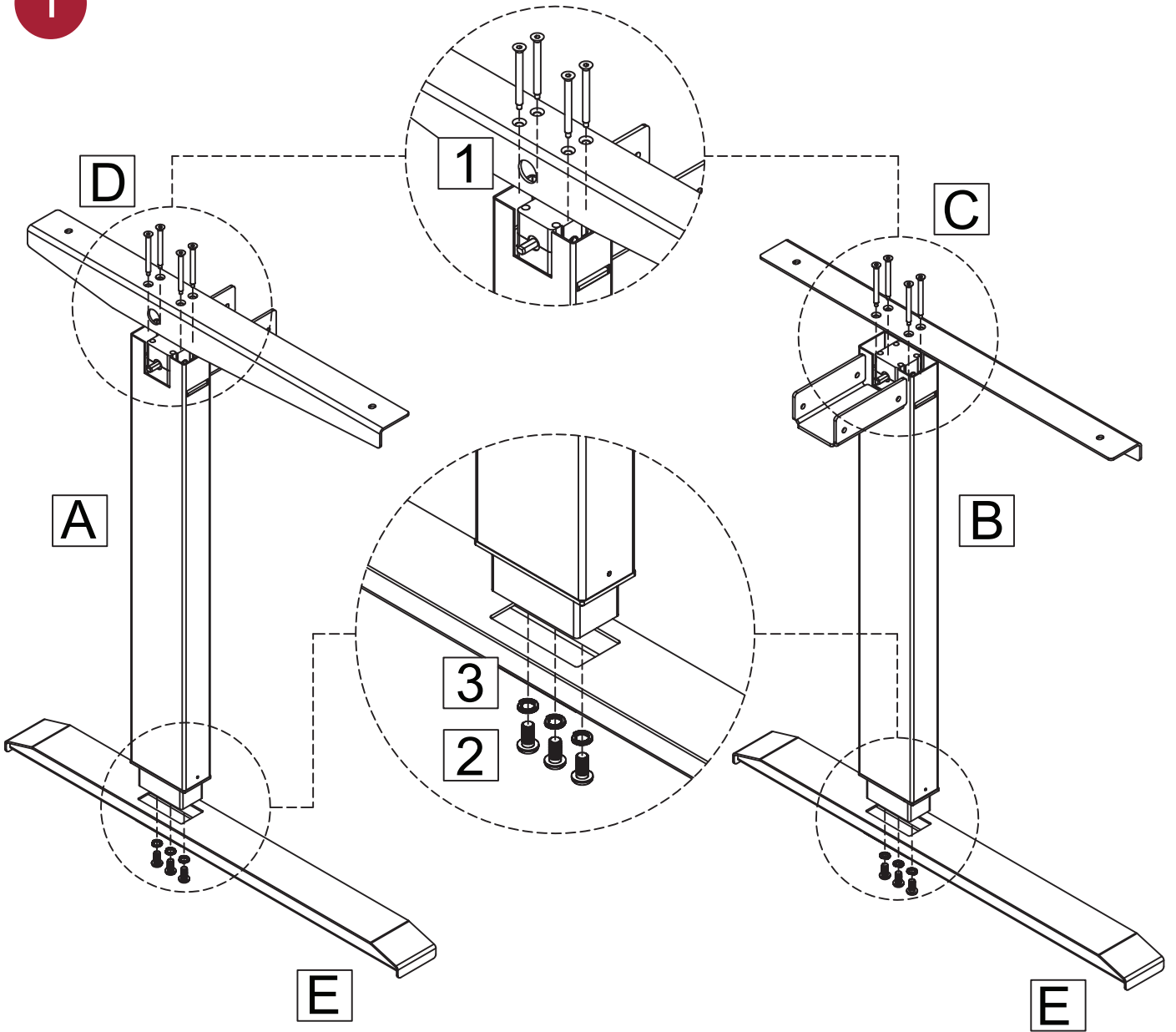
<b>1</b> QTY: 8 M6-65 	<b>2</b> QTY: 6 M8-20 	<b>3</b> QTY: 6 	<b>4</b> QTY: 10 M8-15 	<b>5</b> QTY: 22 M6-12 
---	---	--	--	---

# TOOLS INCLUDED

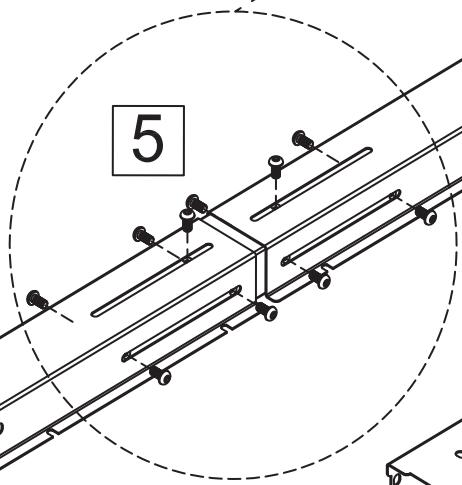
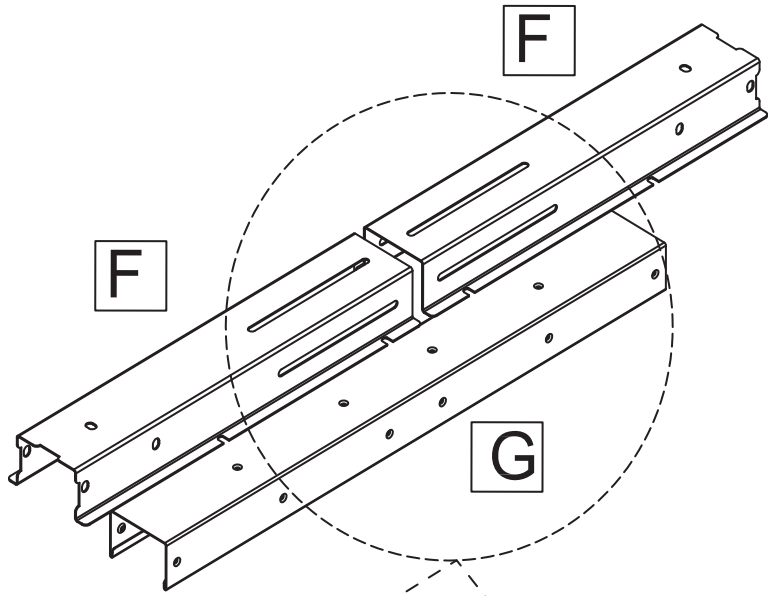
# TOOLS REQUIRED



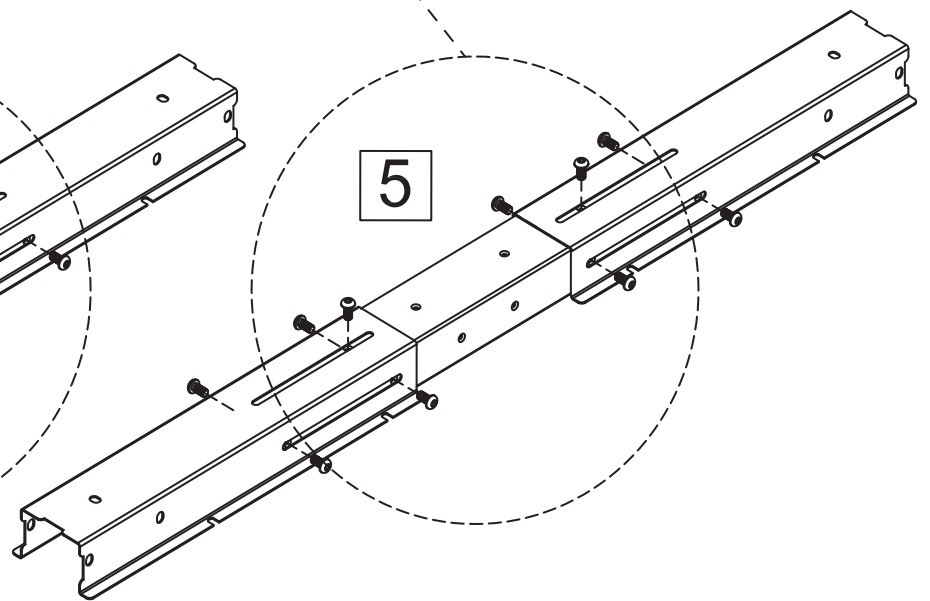
1



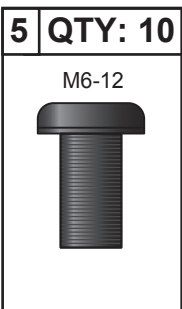
2



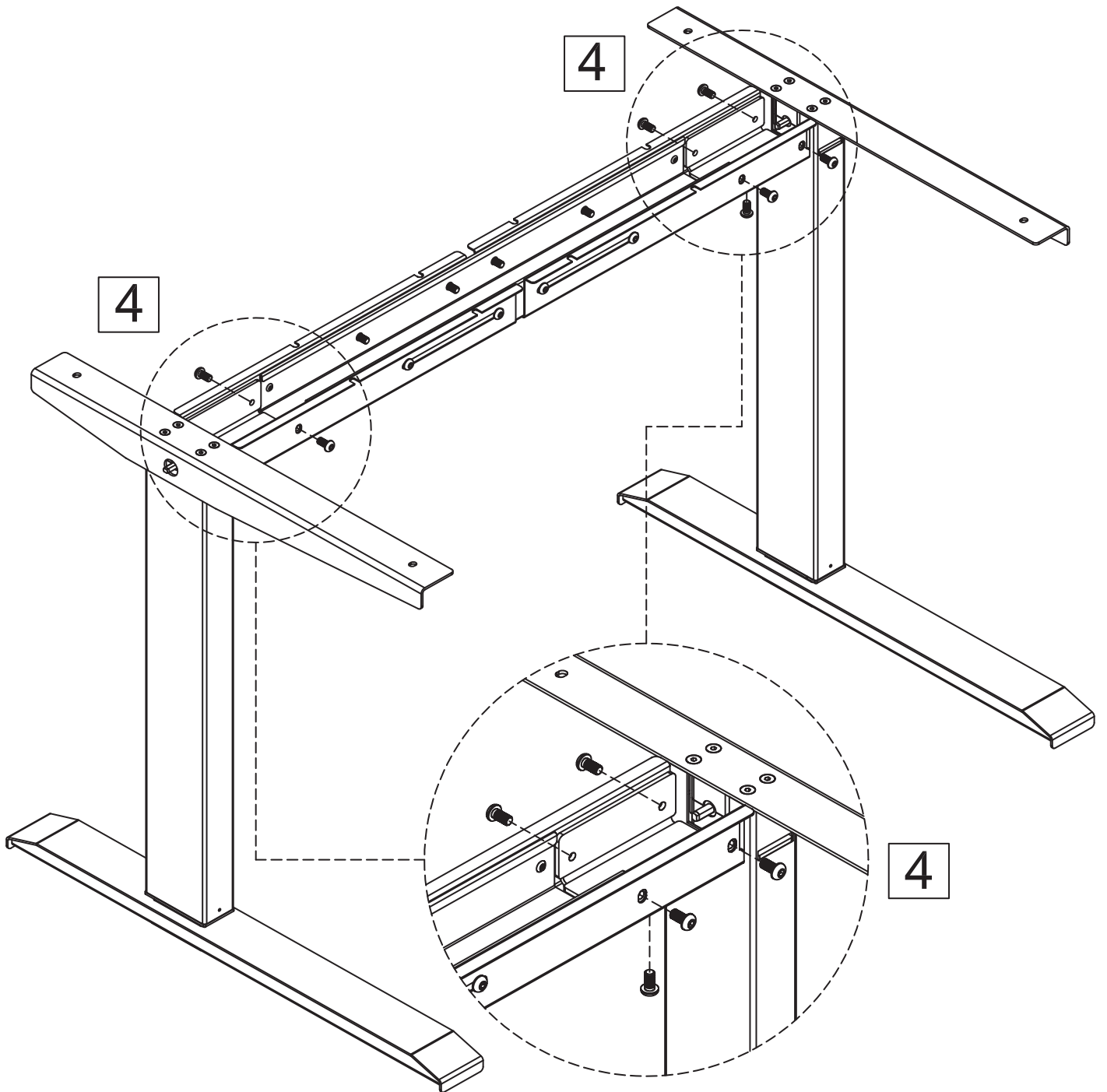
48" Desktop



60" Desktop

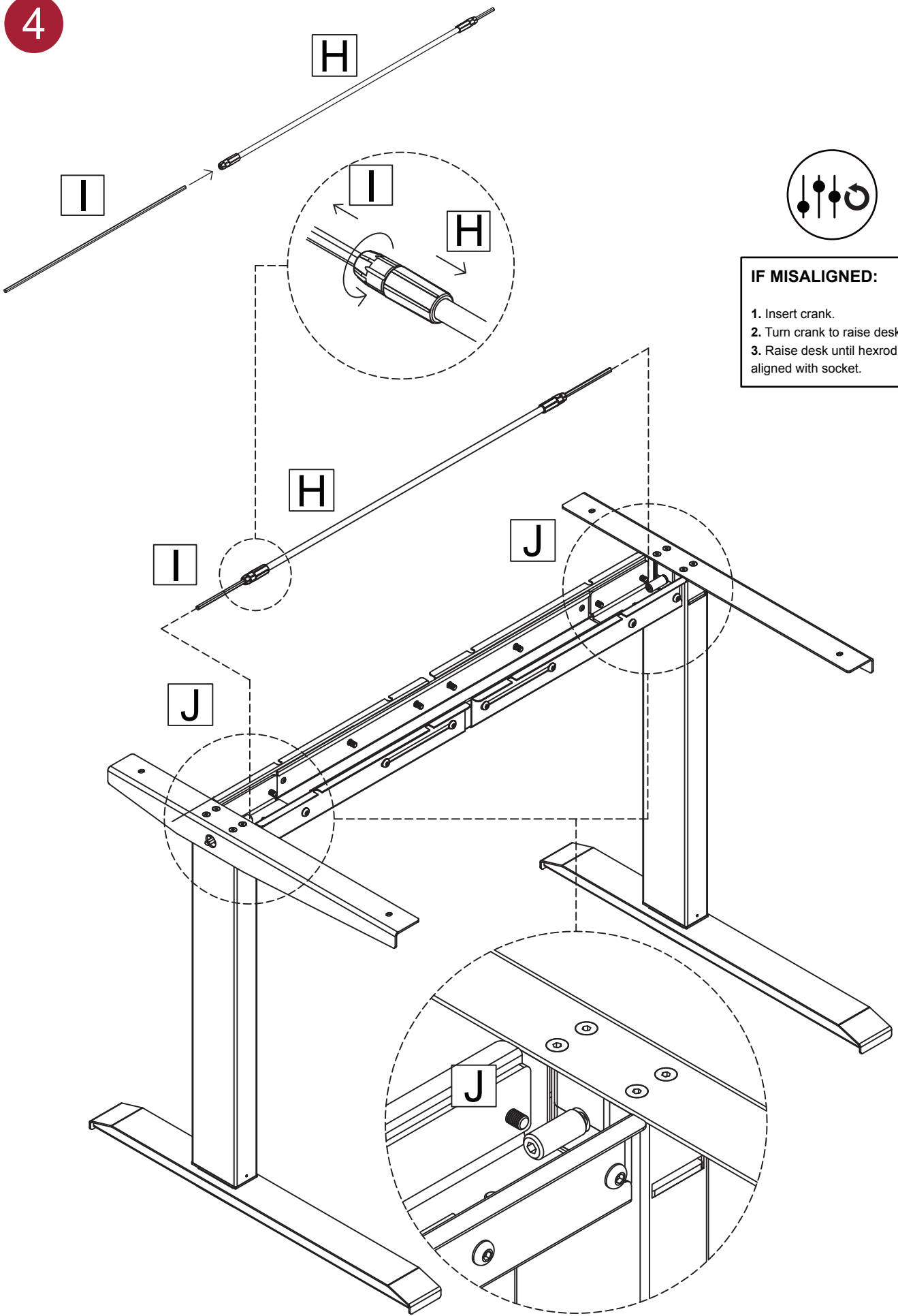


3



4	QTY: 10
M8-15	

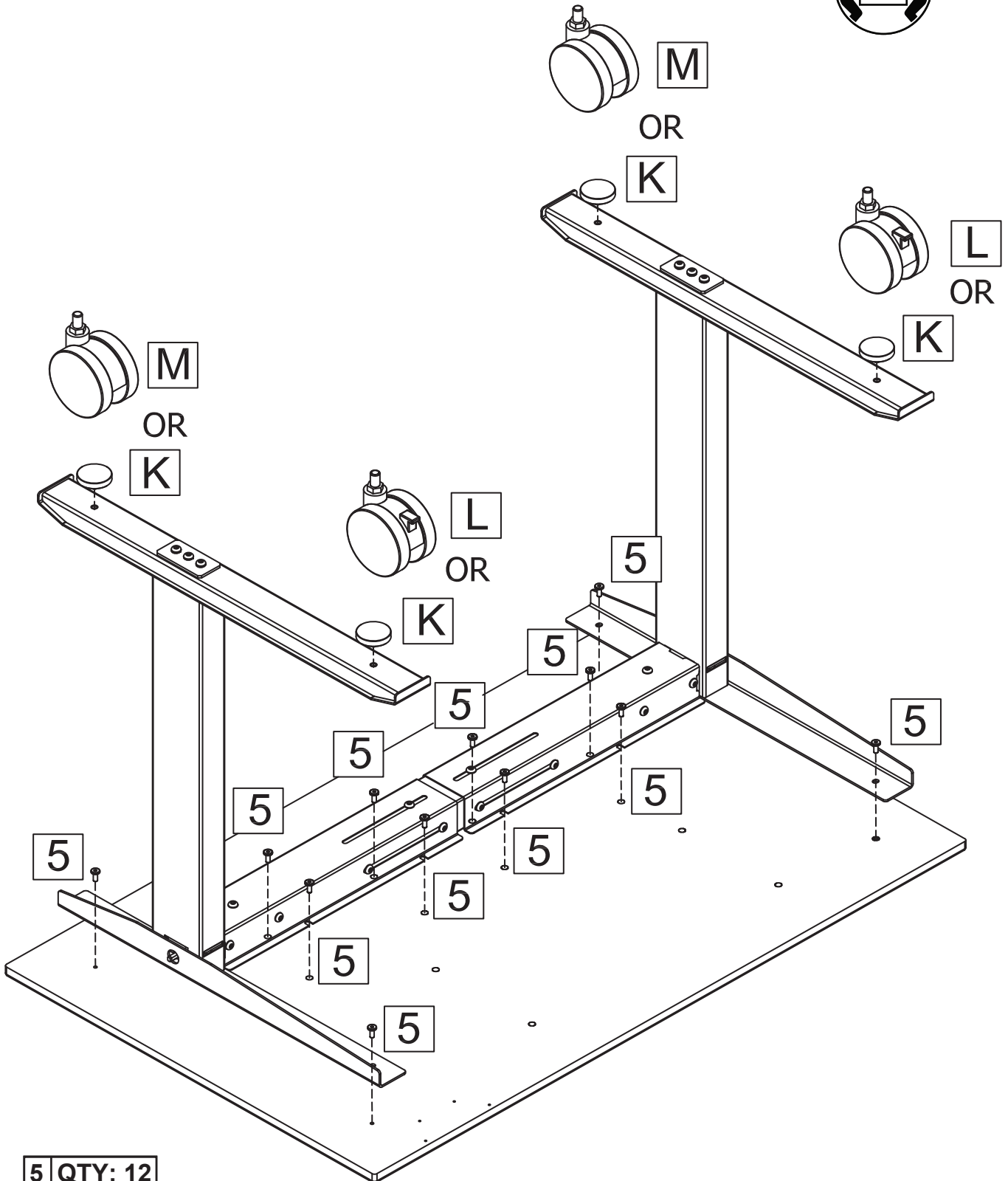
4



**IF MISALIGNED:**

1. Insert crank.
2. Turn crank to raise desk.
3. Raise desk until hexrod is aligned with socket.

5



5	QTY: 12
M6-12	

6

