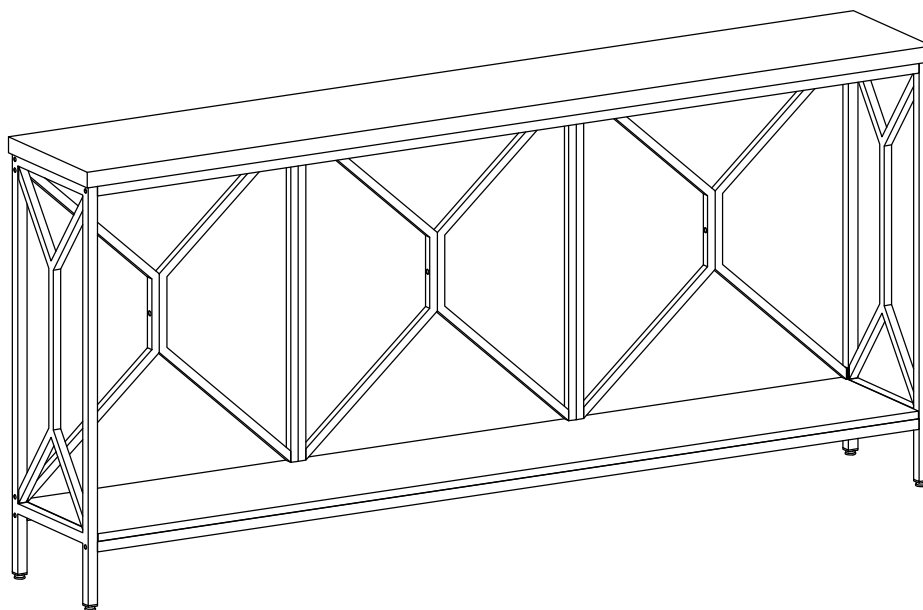
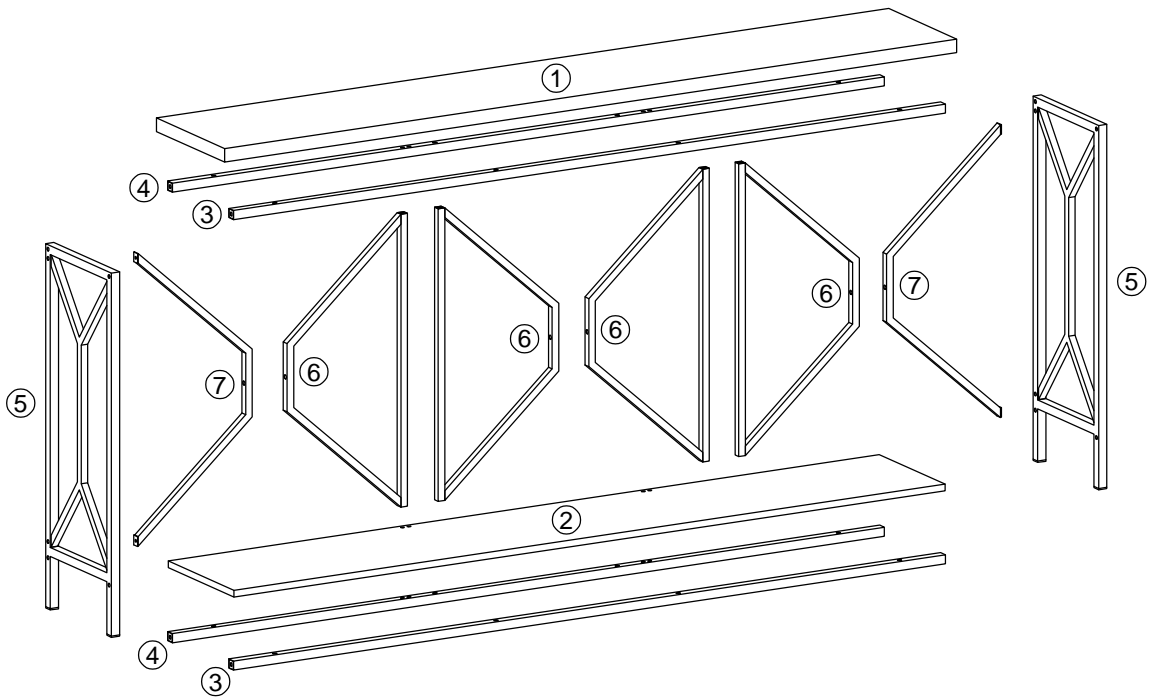
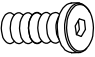
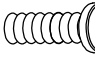
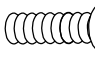
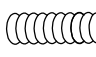
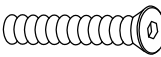






ASSEMBLY INSTRUCTIONS



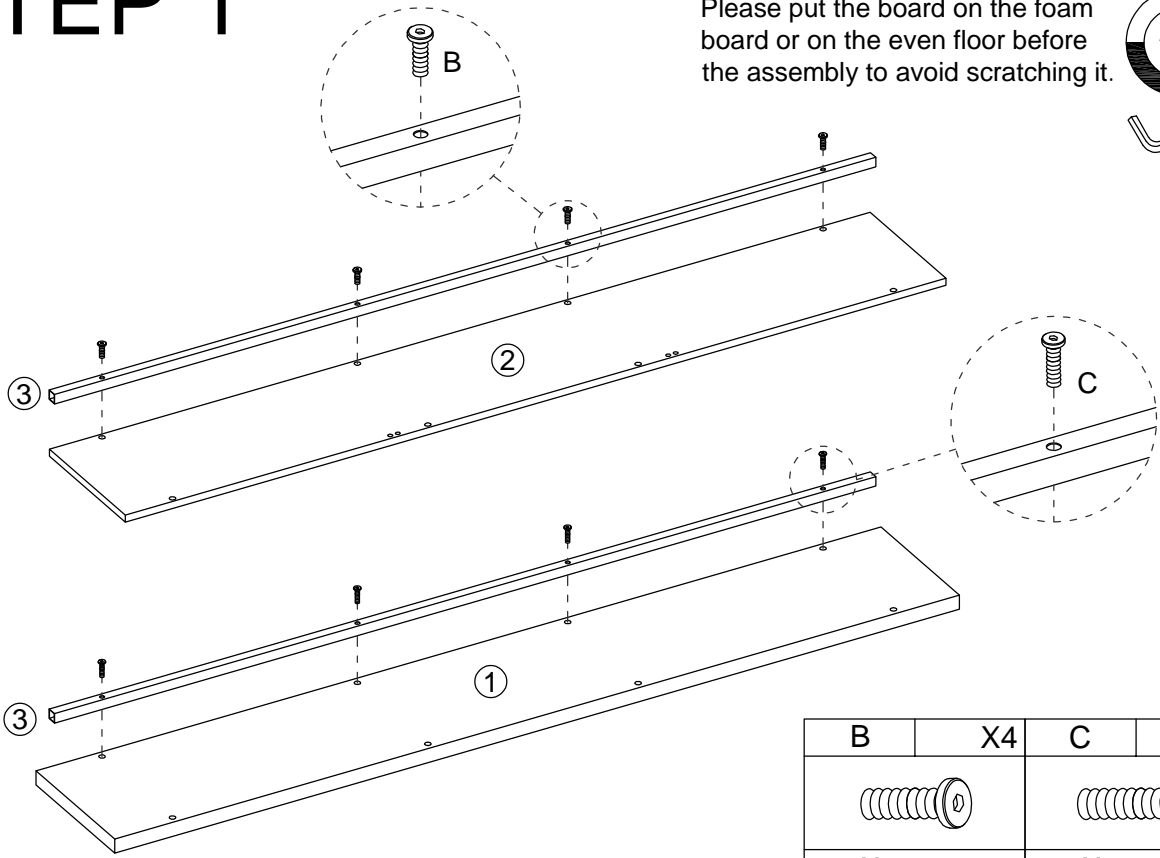
THIS INSTRUCTION CONTAINS IMPORTANT SAFETY INFORMATION.
PLEASE READ BEFORE ASSEMBLY AND KEEP FOR FUTURE REFERENCE.



A	X3	B	X12	C	X8	D	X8	E	X8
									
M6×25mm		M6×28mm		M6×35mm		M6×40mm		M6×55mm	
F	X3	G	X4	H	X2	I	X2		
									
M6×17mm						M4			

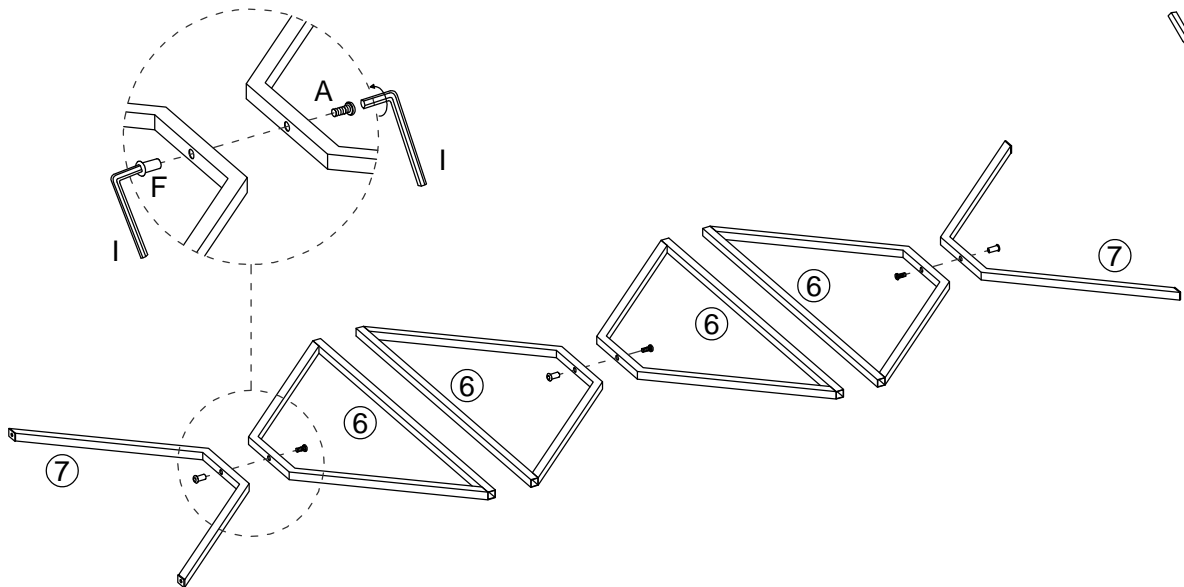
STEP 1

Please put the board on the foam board or on the even floor before the assembly to avoid scratching it.



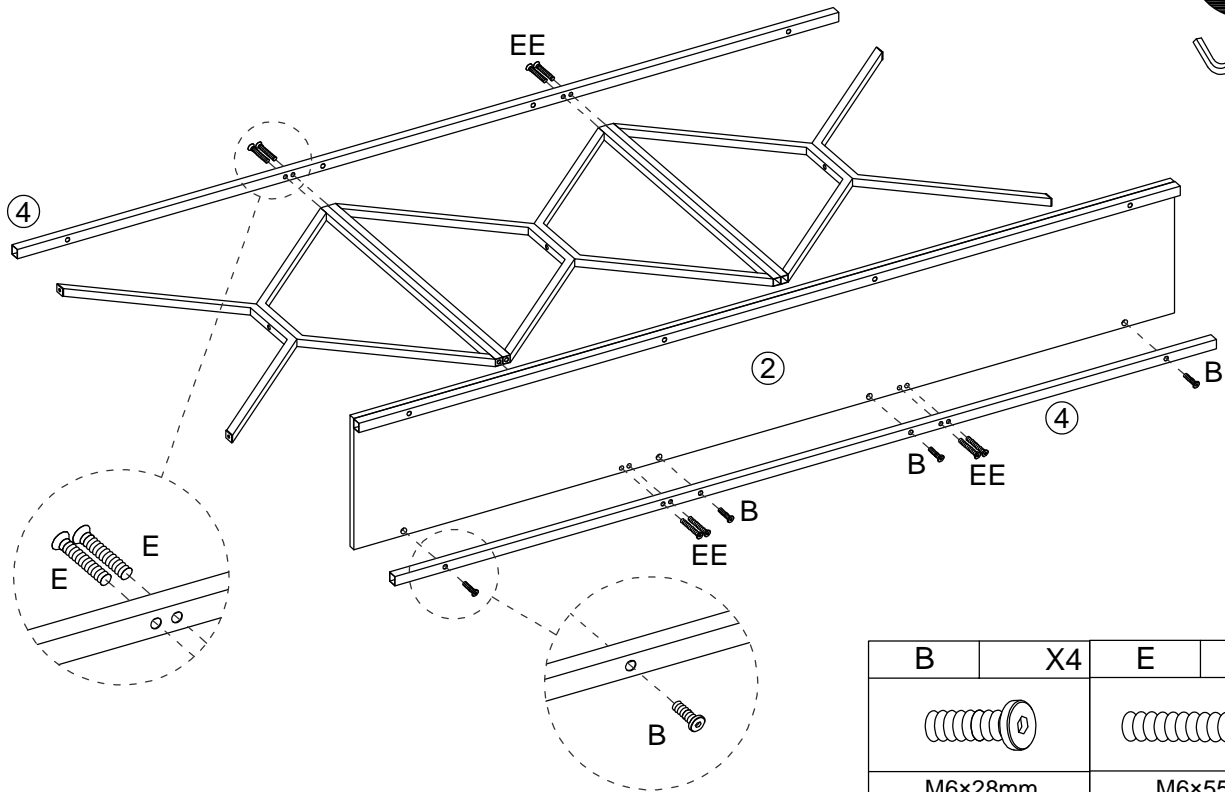
B	X4	C	X4
M6×28mm		M6×35mm	

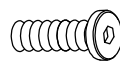
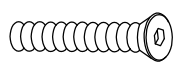
STEP 2



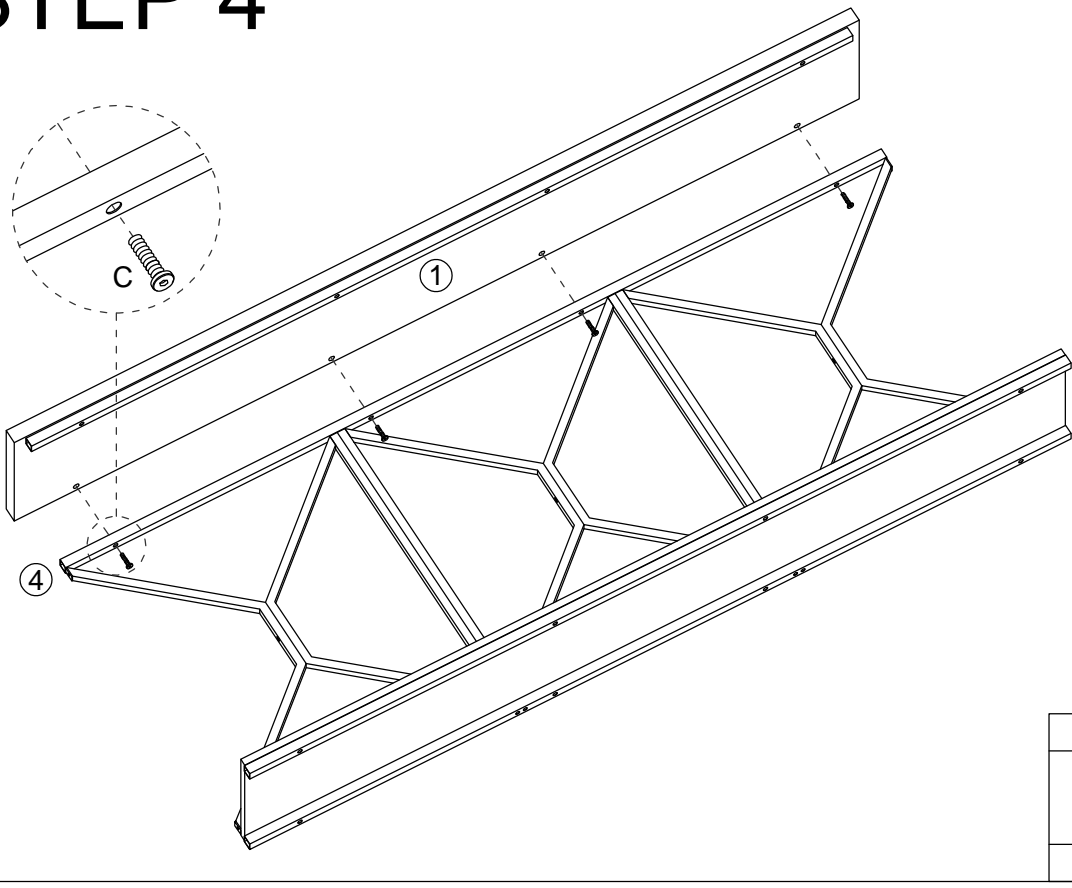
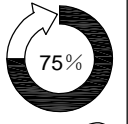
F	X3	A	X3
M6×17mm		M6×25mm	

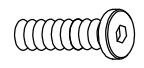
STEP 3



B	X4	E	X8
			
M6×28mm		M6×55mm	

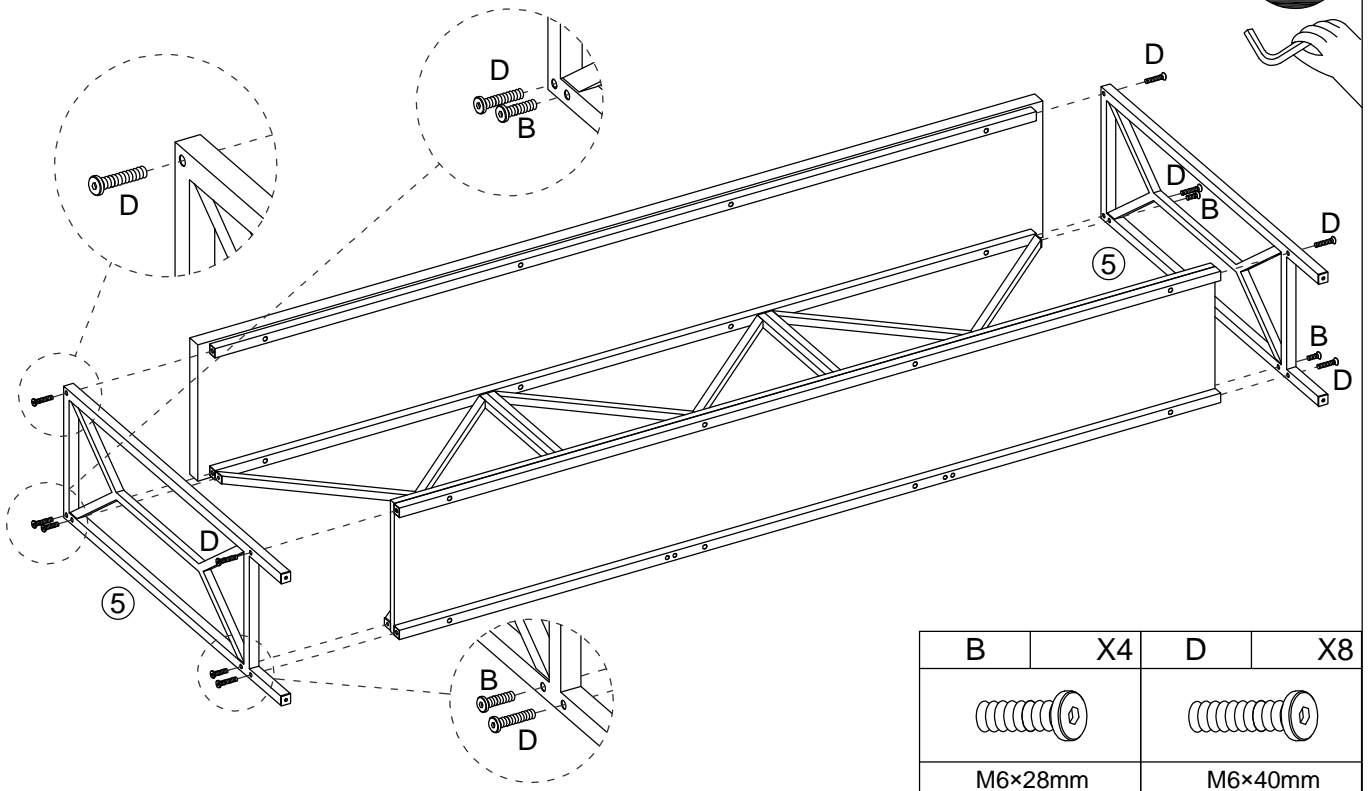
STEP 4

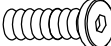
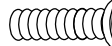


C	X4
	
M6×35mm	

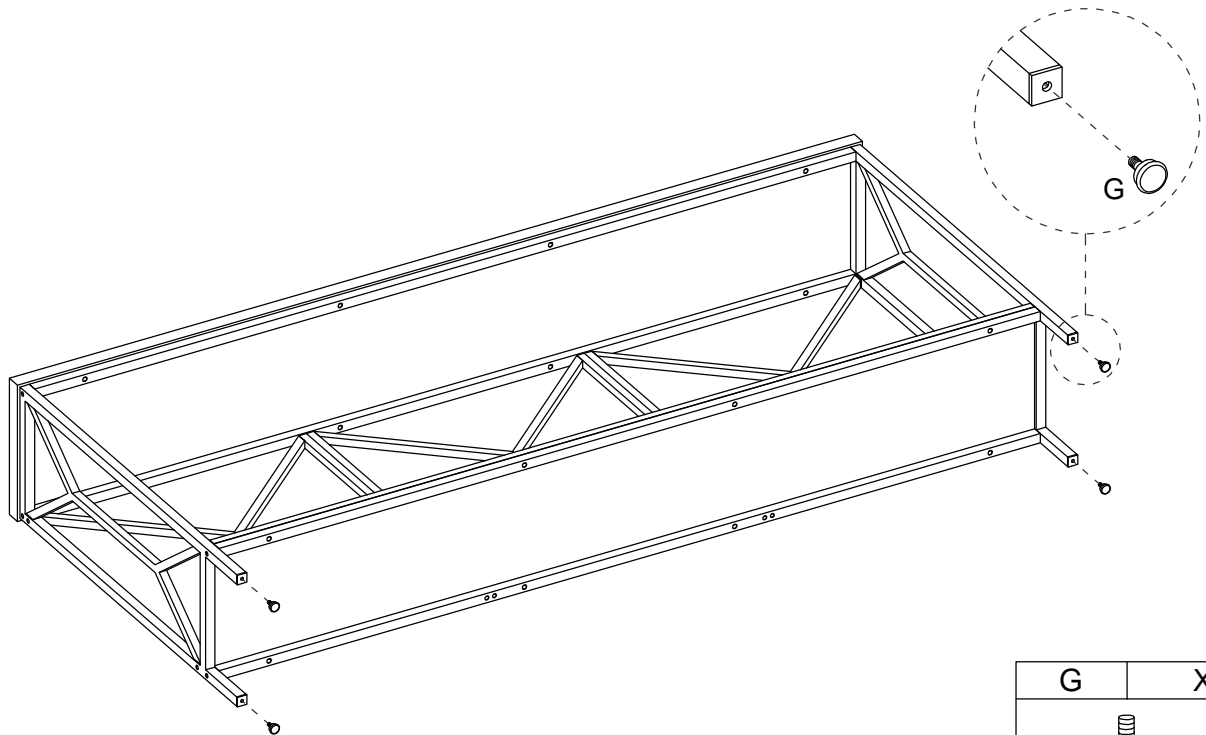
STEP 5

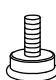
Please tighten all screws to 100%.



B	X4	D	X8
			
M6×28mm		M6×40mm	

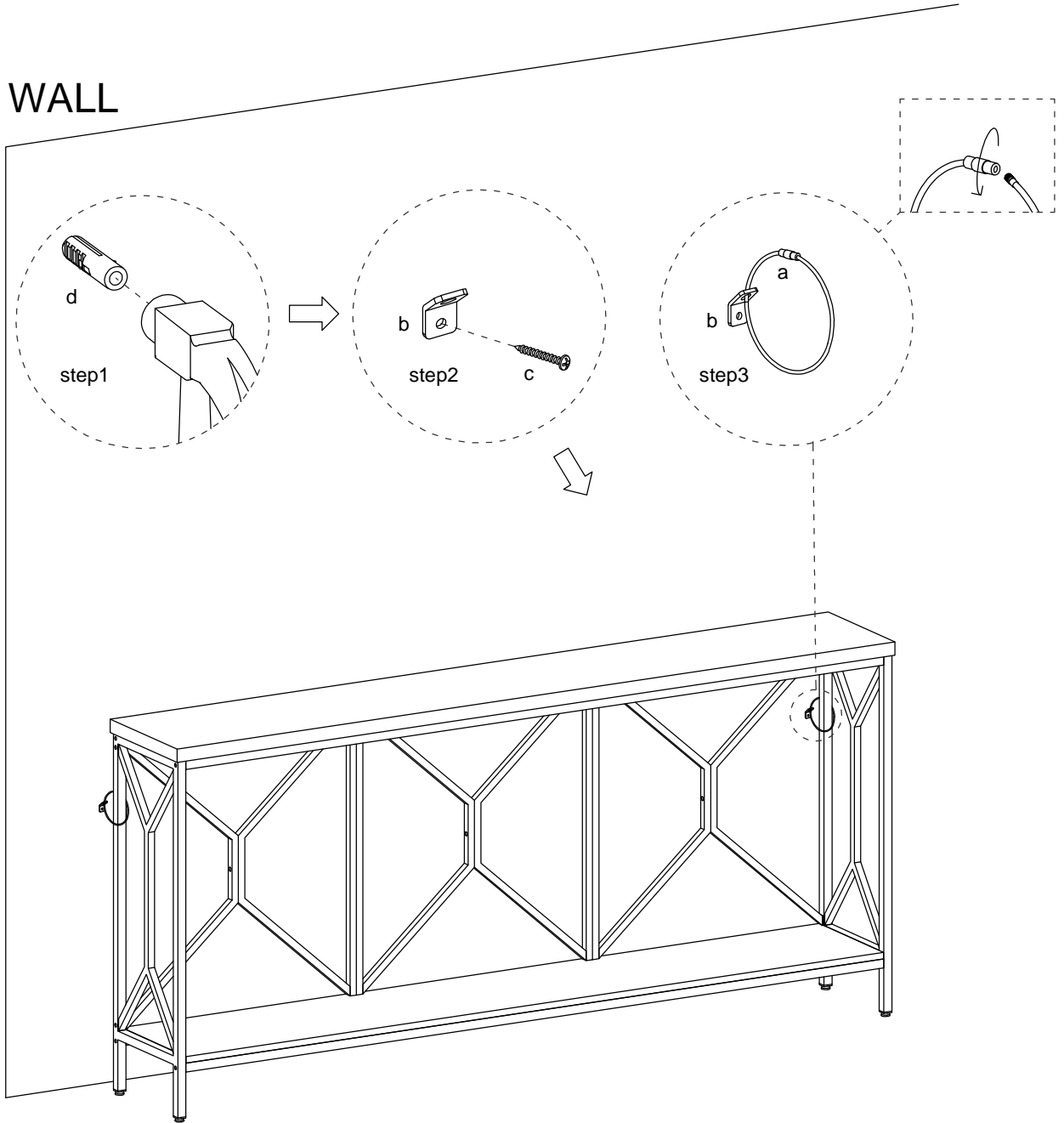
STEP 6



G	X4
	

STEP 7

WALL



250mm
a) × 2 pcs

b) × 2 pcs

4×35mm
c) × 2 pcs

d) × 2 pcs

H	X2