

ASSEMBLY INSTRUCTION

Thank you for purchasing this quality product. Be sure to check all packing material carefully for small parts which may have come loose inside the carton during shipment. Separate, identify and count all parts and hardware. Compare with the parts list to be sure all parts are present.

IMPORTANT : PLEASE READ INSTRUCTION BEFORE STARTING THE ASSEMBLY.

"DO NOT TIGHTEN SCREWS UNTIL COMPLETELY ASSEMBLED"

"DO NOT OVERTIGHT ANY HARDWARE"

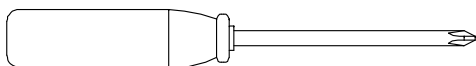
WARNING : SMALL PARTS AND HARDWARE NOT FOR CHILDREN UNDER 3 YEARS. ADULT ASSEMBLY REQUIRED.

TABLE OF CONTENTS

HARDWARES LIST	PAGE 2 - 3
PARTS LIST	PAGE 3 - 4
PARTS' LOCATION	PAGE 5
ASSEMBLY STEPS	PAGE 6 - 16
ASSEMBLY COMPLETED	PAGE 17

ASSEMBLY TOOLS REQUIRED

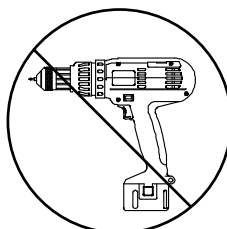
1. Screwdriver (not provide)



2. Hammer (not provide)


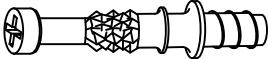


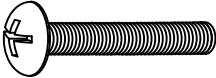
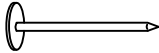
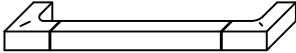
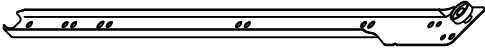
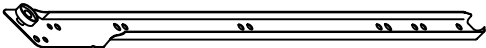


Skip the power drill this time.





ASSEMBLY INSTRUCTION

HARDWARES LIST

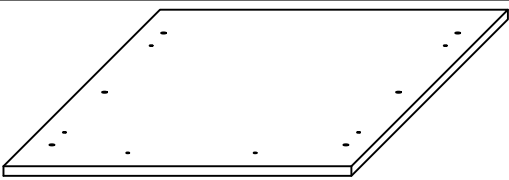
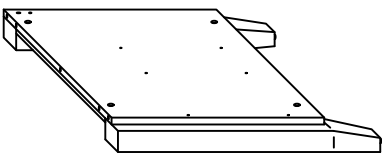
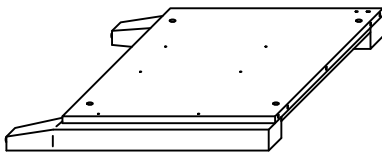
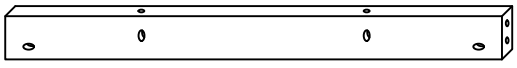

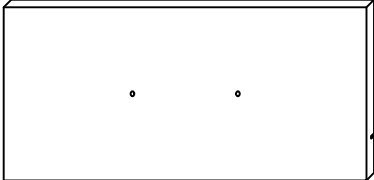
ITEM	DESCRIPTION	DRAWING	QTY
A	MINIFIX CAM LOCK		24 PCS
B	MINIFIX CAM BOLT		24 PCS
C	WOOD DOWEL (M8 x 25MM)		14 PCS
D	WOOD DOWEL (M6 x 25MM)		16 PCS
E	TRUSS M-SCREW (20MM)		4 PCS
F	6/8" NAIL		16 PCS
G	HANDLE		2 PCS
H	LEFT DRAWER SLIDE		2 PCS
I	RIGHT DRAWER SLIDE		2 PCS

ASSEMBLY INSTRUCTION

HARDWARES LIST

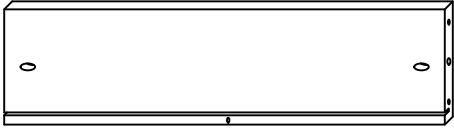
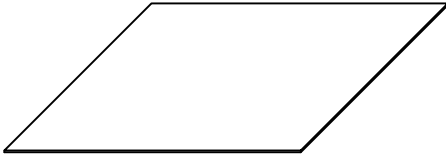

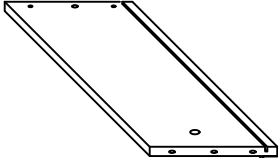
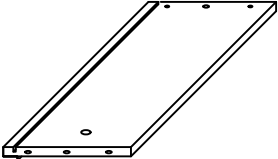
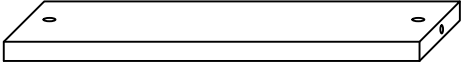
ITEM	DESCRIPTION	DRAWING	QTY
J	CSK SCREW M3 x 10mm		16 PCS
K	PLASTIC STRIP (H SHAPE)		1 PC

PARTS LIST

ITEM	DESCRIPTION	DRAWING	QTY
N1	TOP PANEL		1 PC
N2	LEFT PANEL		1 PC
N3	RIGHT PANEL		1 PC
N5	BACK TOP SUPPORT RAIL		1 PCS
N8	BACK PANEL		2 PCS
N9	DRAWER HEAD		2 PCS

ASSEMBLY INSTRUCTION

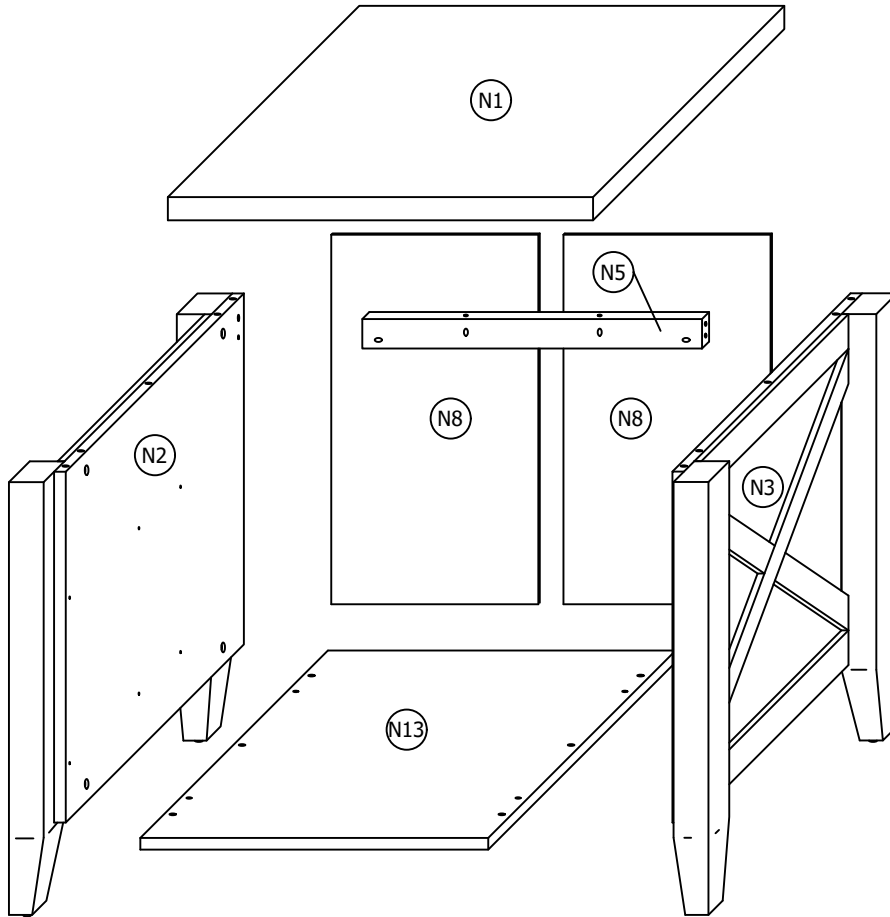
PARTS LIST

ITEM	DESCRIPTION	DRAWING	QTY
N10	DRAWER BACK PANEL		2 PCS
N11	DRAWER BOTTOM PANEL		2 PCS
N13	BOTTOM PANEL		1 PC
19	DRAWER LEFT PANEL		2 PCS
20	DRAWER RIGHT PANEL		2 PCS
21	DRAWER BOTTOM SUPPORT RAIL		2 PCS

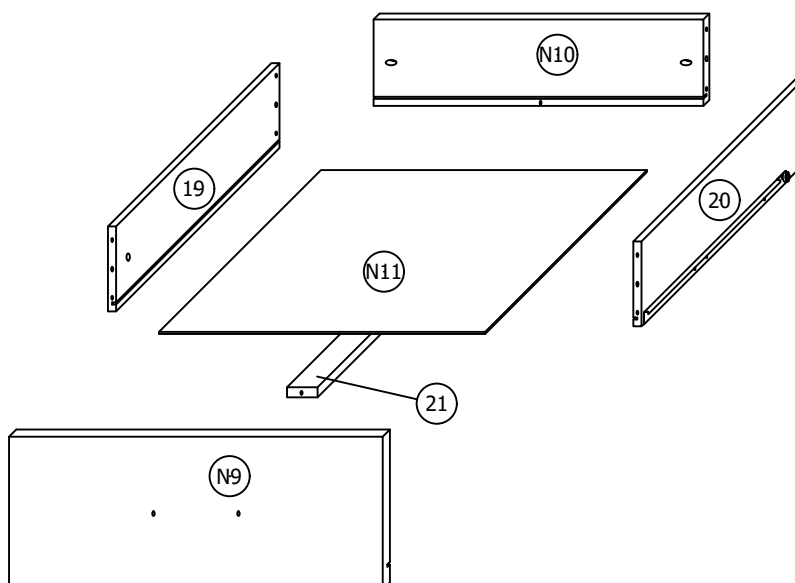
ASSEMBLY INSTRUCTION

PARTS ' LOCATION

NIGHTSTAND x 1 PC



DRAWER x 2 PCS

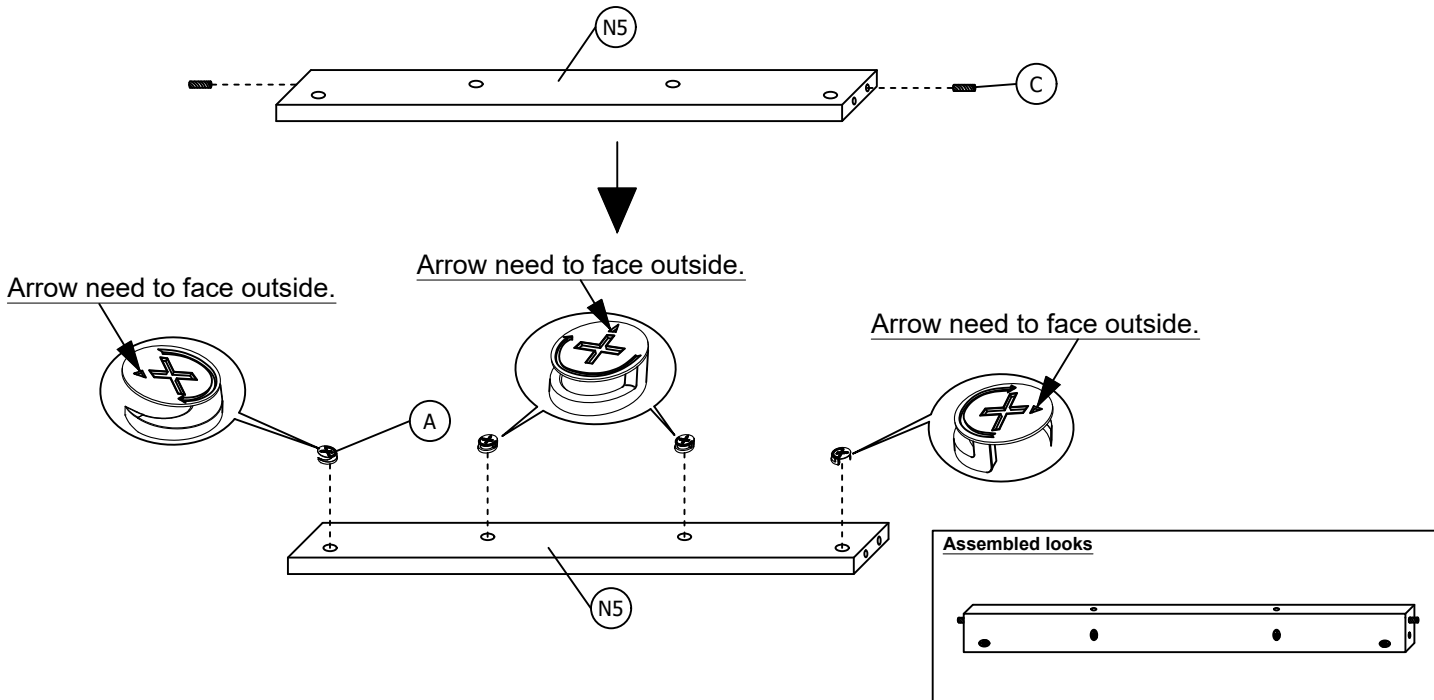


ASSEMBLY INSTRUCTION

ASSEMBLY STEPS

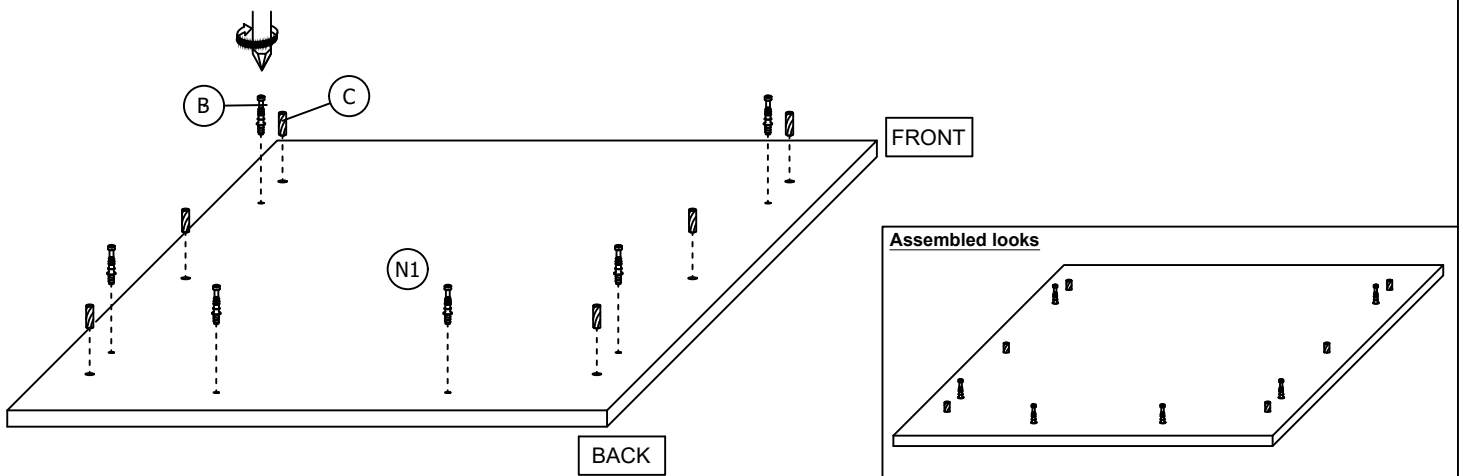
STEP 1

Insert 4 pieces (A), 2 pieces (C) to the (N5) as shown.



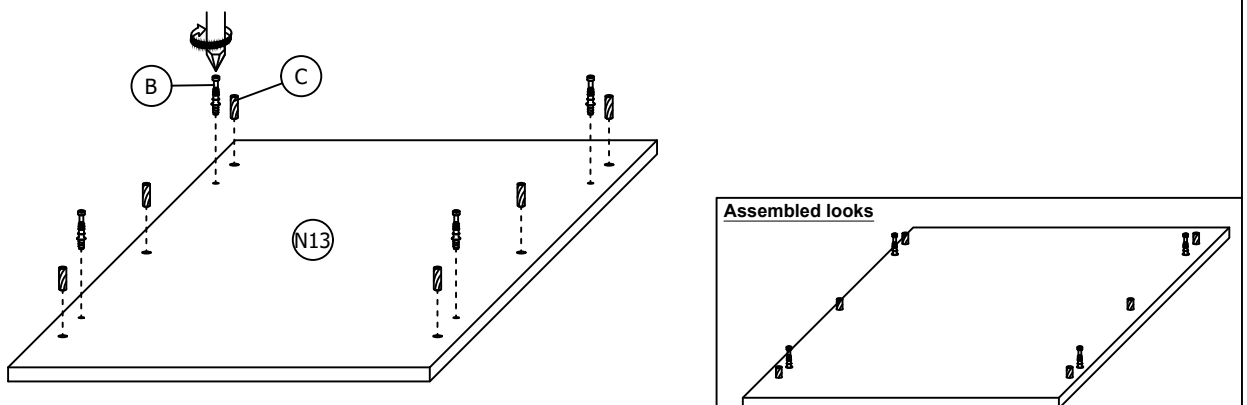
STEP 2

Insert 6 pieces (B), (C) to (N1) as shown.



STEP 3

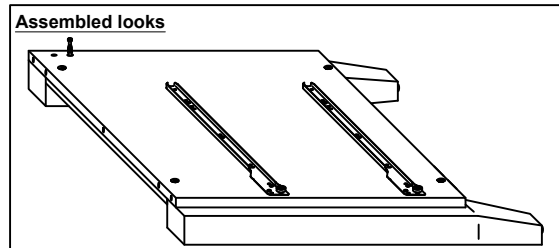
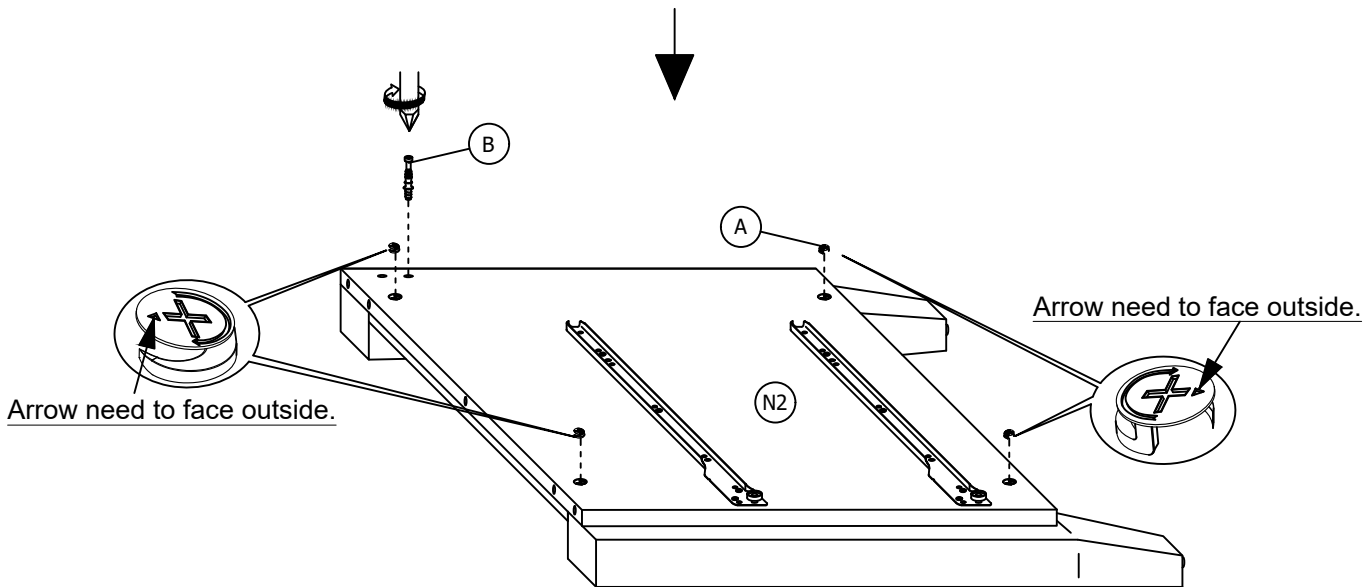
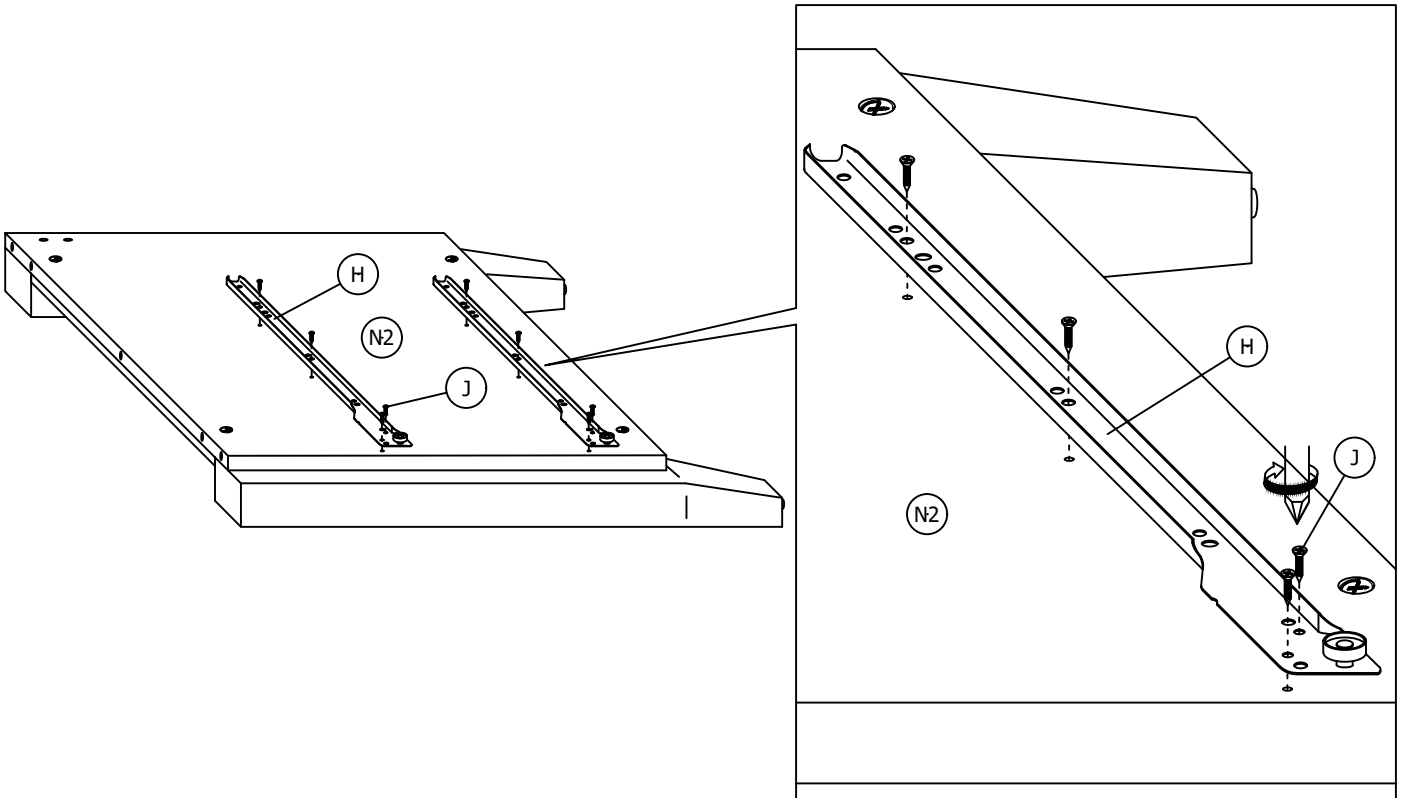
Insert 4 pieces (B), 6 pieces (C) to (N13) as shown.



ASSEMBLY INSTRUCTION

STEP 4

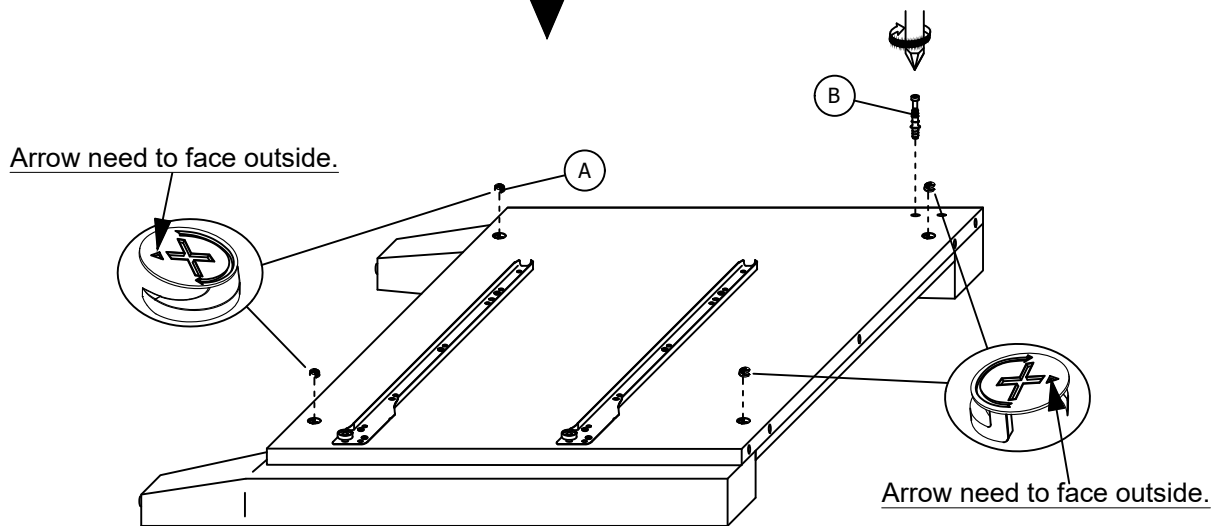
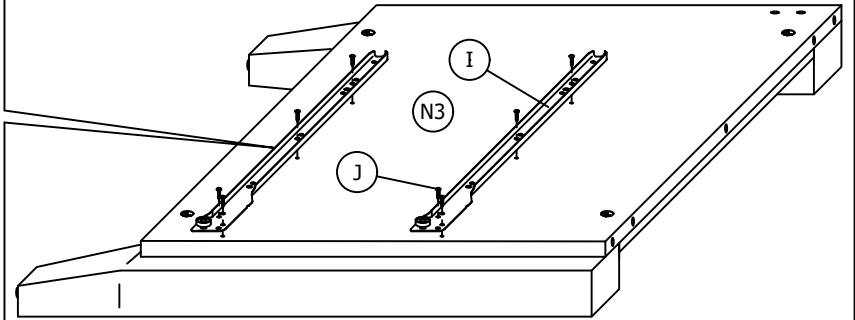
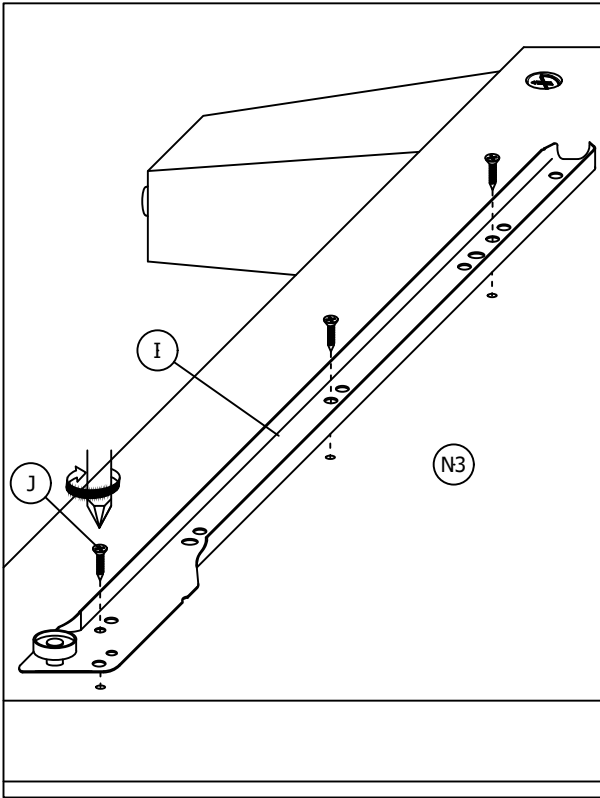
Fix the 2 pieces (H) to the (N2) by using 8 pieces (J). Then insert 4 pieces (A), 1 piece (B) to (N2) as shown.



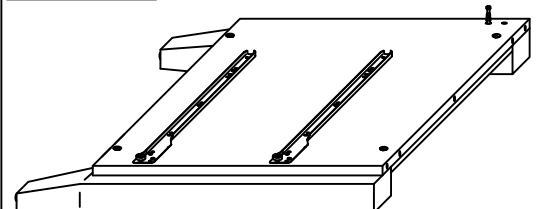
ASSEMBLY INSTRUCTION

STEP 5

Fix the 2 pieces (I) to the (N3) by using 8 pieces (J). Then insert 4 pieces (A), 1 piece (B) to (N3) as shown.



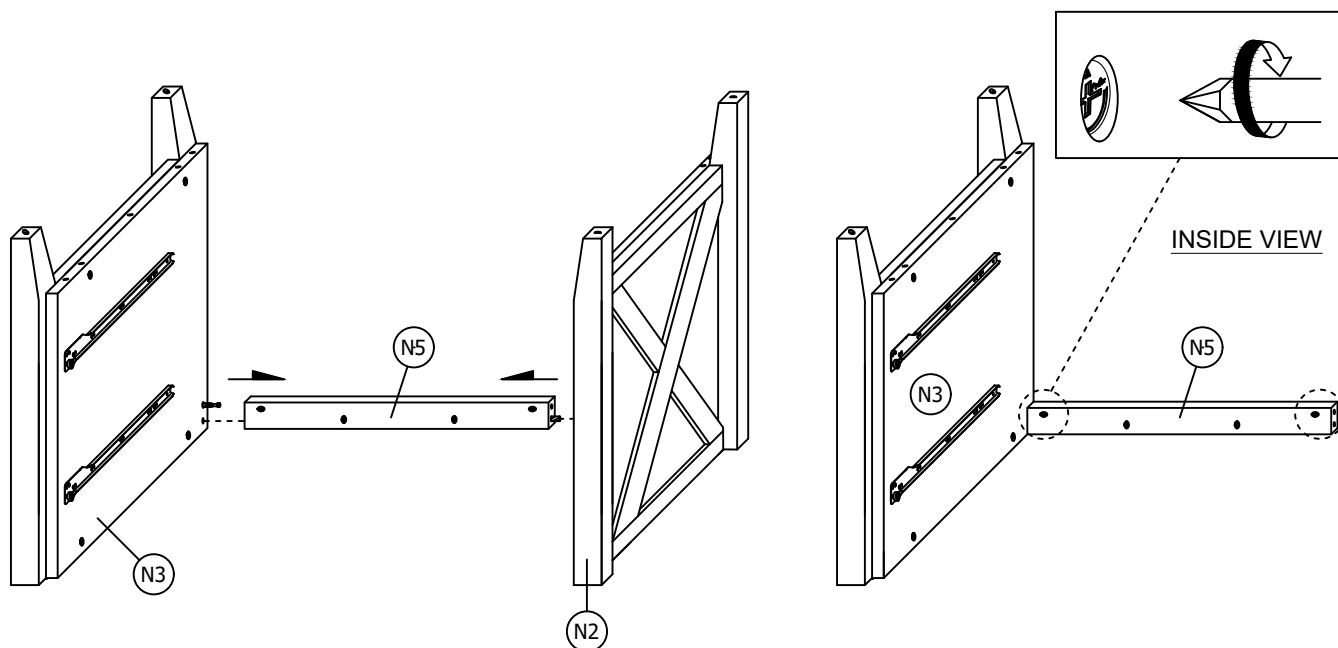
Assembled looks



ASSEMBLY INSTRUCTION

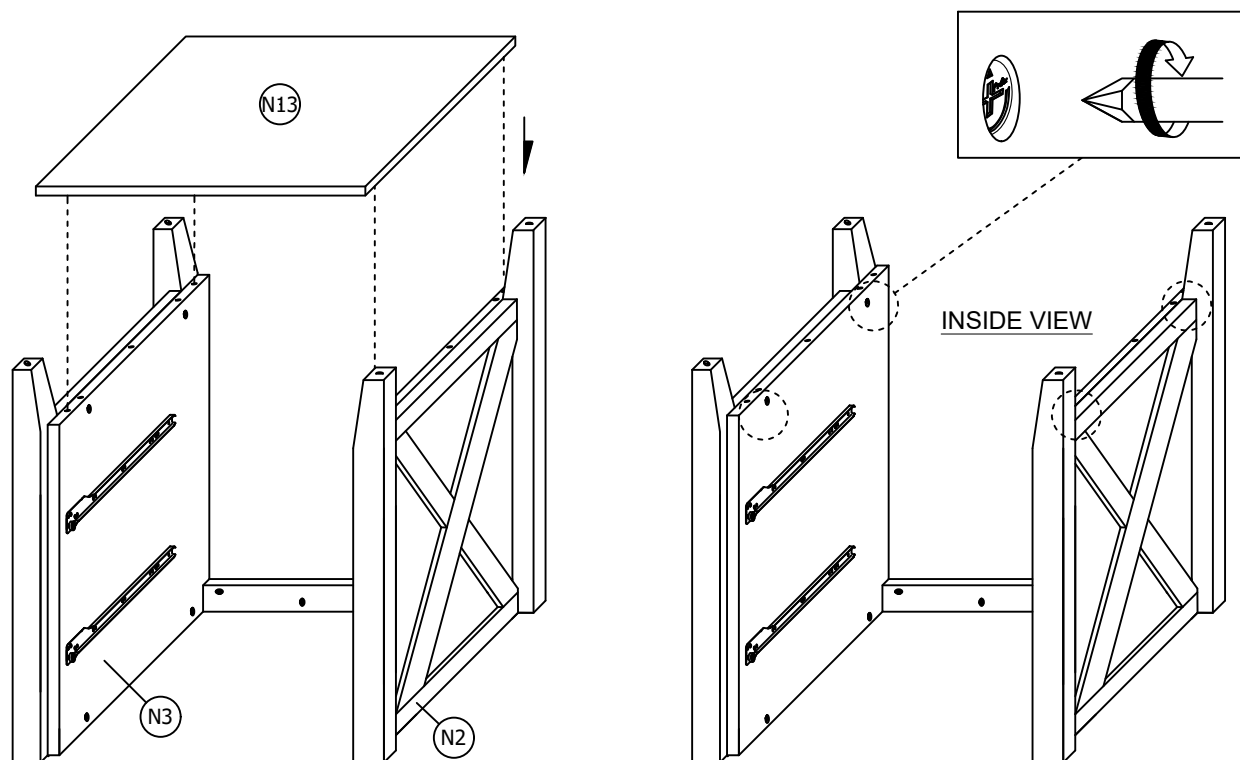
STEP 6

Combine (N2),(N3) and (N5) then tighten the 2 pieces (A)-(pre insert in step 1) as shown.



STEP 7

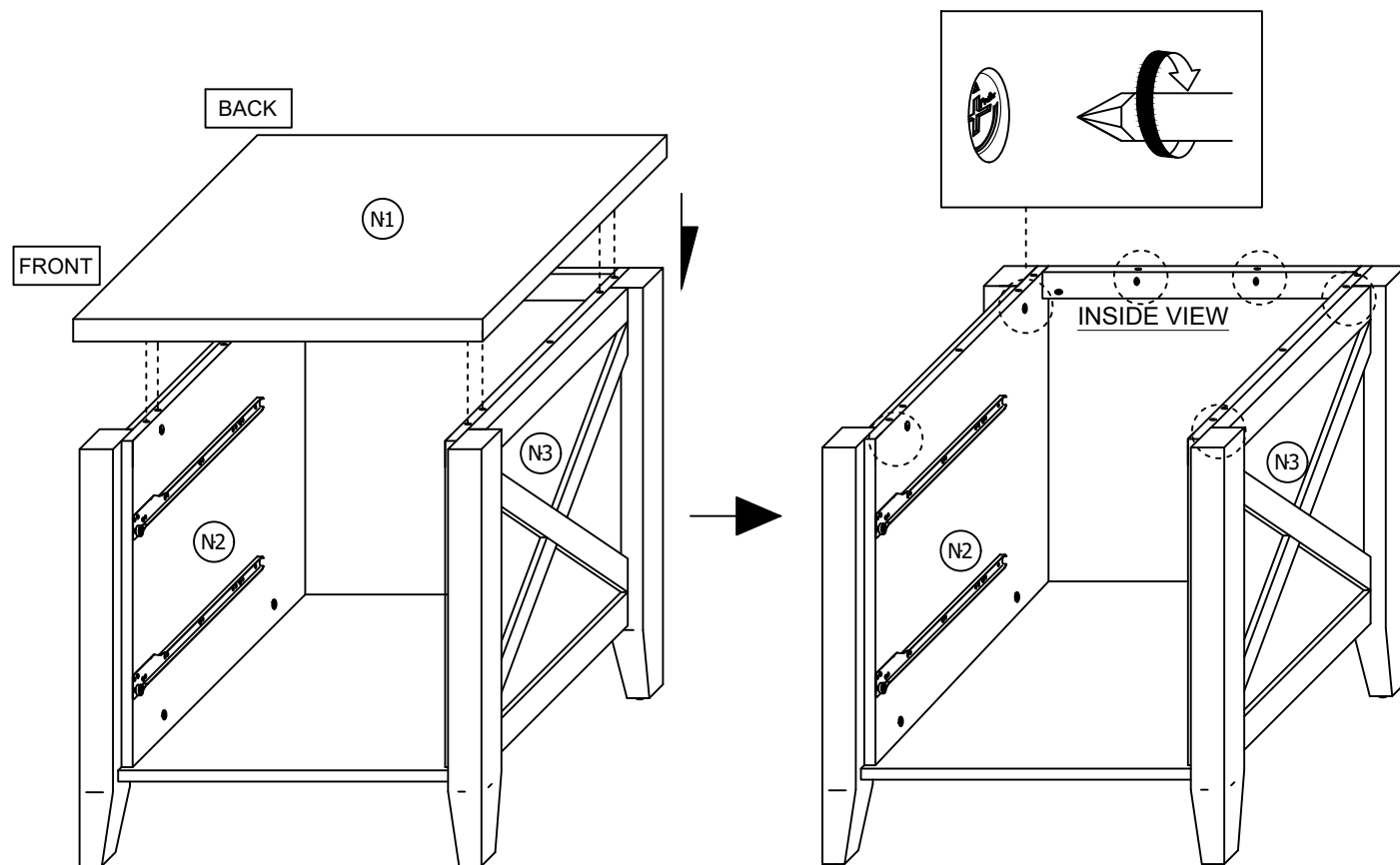
Combine (N2),(N3),(N13) then tighten the 4 pieces (A)-(pre insert in step 4, 5) as shown.



ASSEMBLY INSTRUCTION

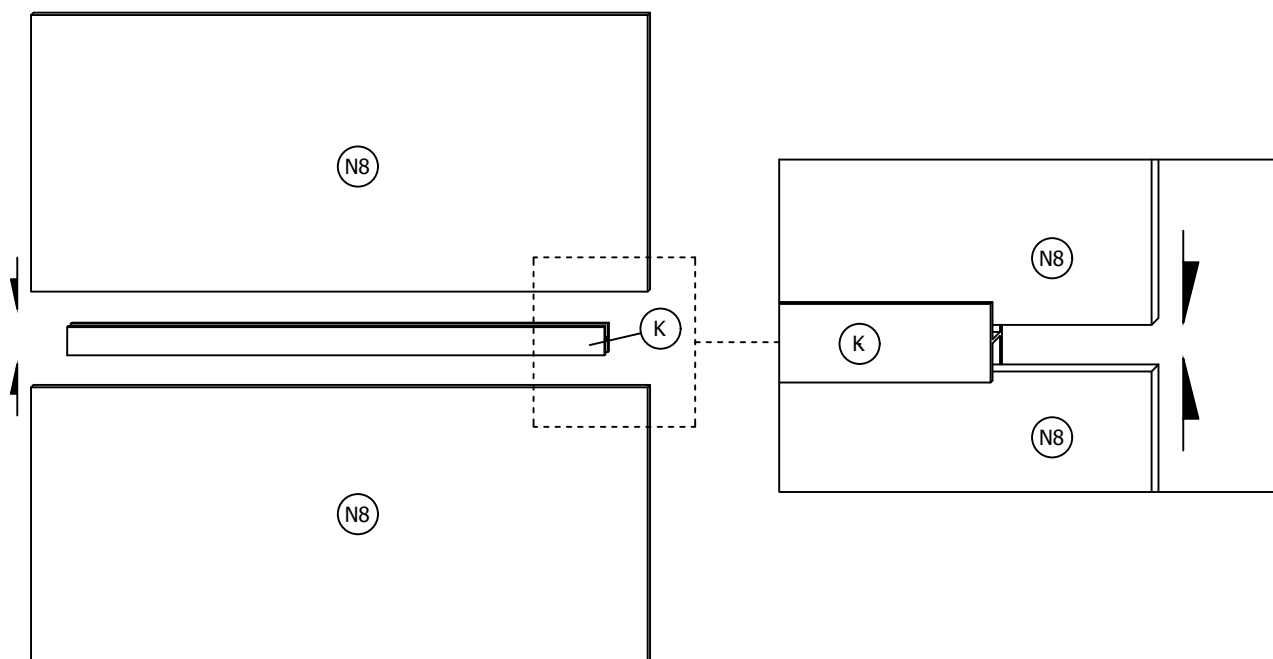
STEP 8

Combine (N1) then tighten the 6 pieces (A)-(pre insert in step 1,4,5) as shown.



STEP 9

Put the (N8) to the gap of (K) as shown. Direction of the side with colored paper must be the same.

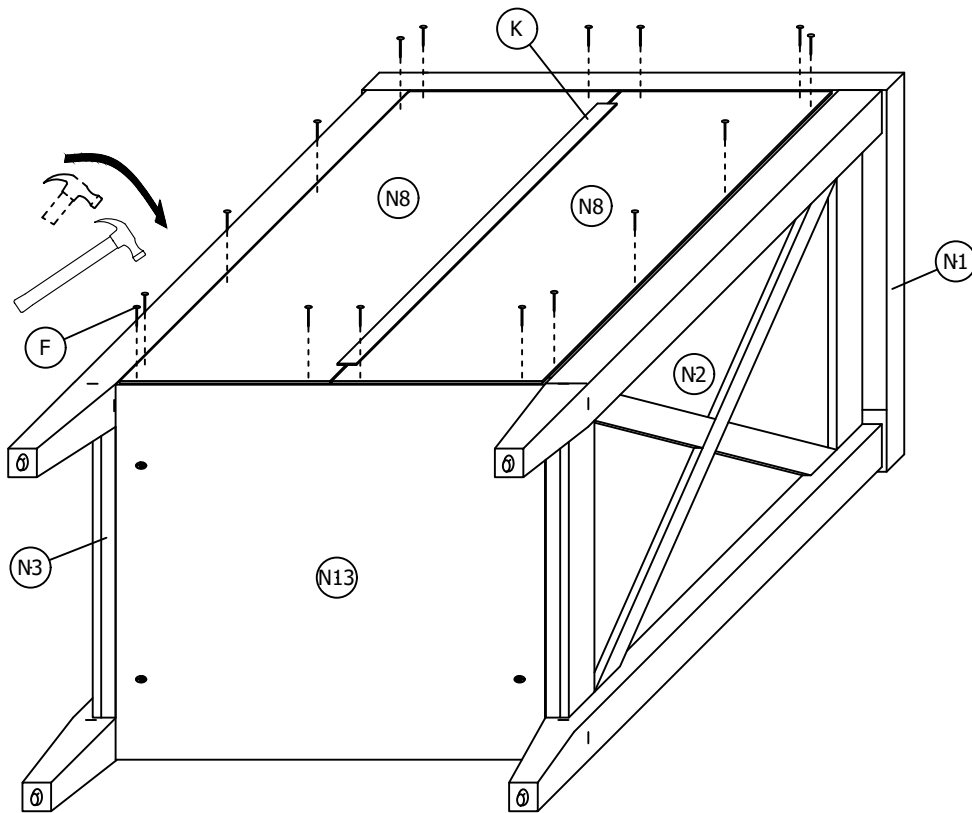


ASSEMBLY INSTRUCTION

STEP 10

Insert the 16 pieces (F) to fix the (N8) as shown. Colored paper face to outside.

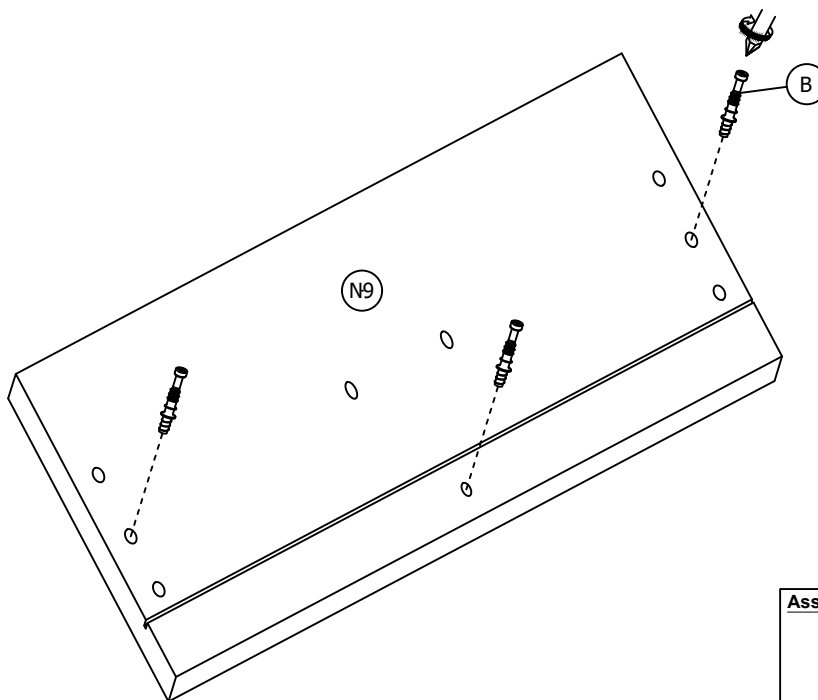
To prevent blocking (N1) and (N13), make sure the (K) at the middle of (N8), do not over high or lower.



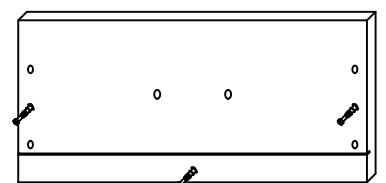
STEP 11

Insert 3 pieces (B) to the (N9) as shown.

x 2



Assembled looks

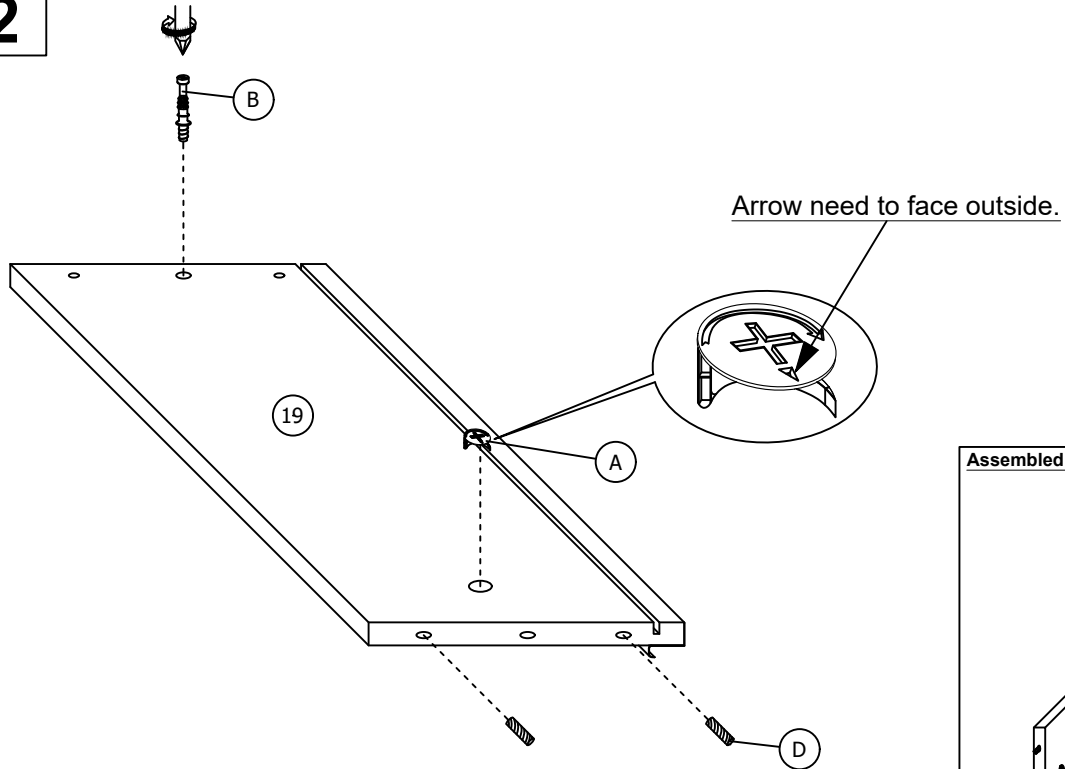


ASSEMBLY INSTRUCTION

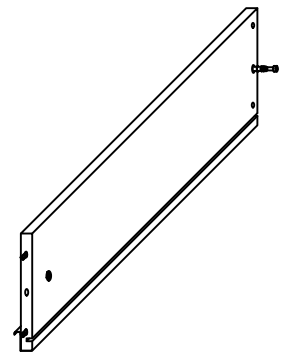
STEP 12

Insert 1 piece (A),(B) and 2 pieces (D) to (19) as shown.

x 2



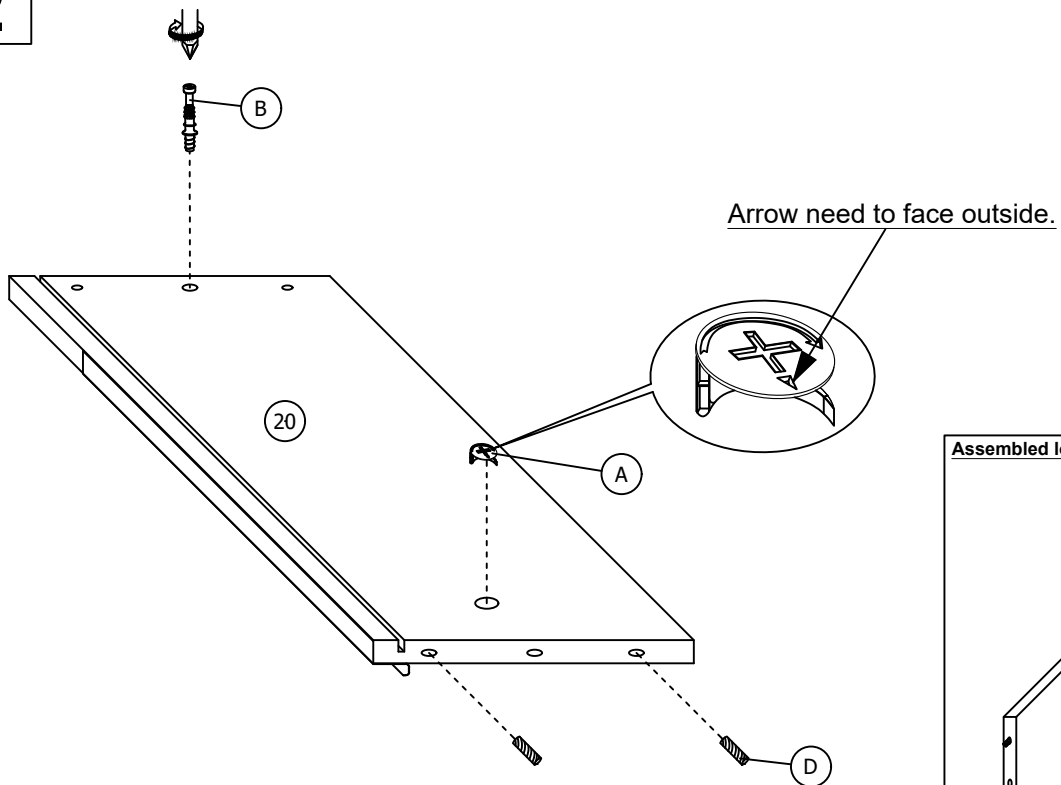
Assembled looks



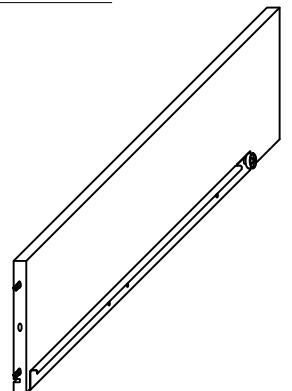
STEP 13

Insert 1 piece (A),(B) and 2 pieces (D) to (20) as shown.

x 2



Assembled looks



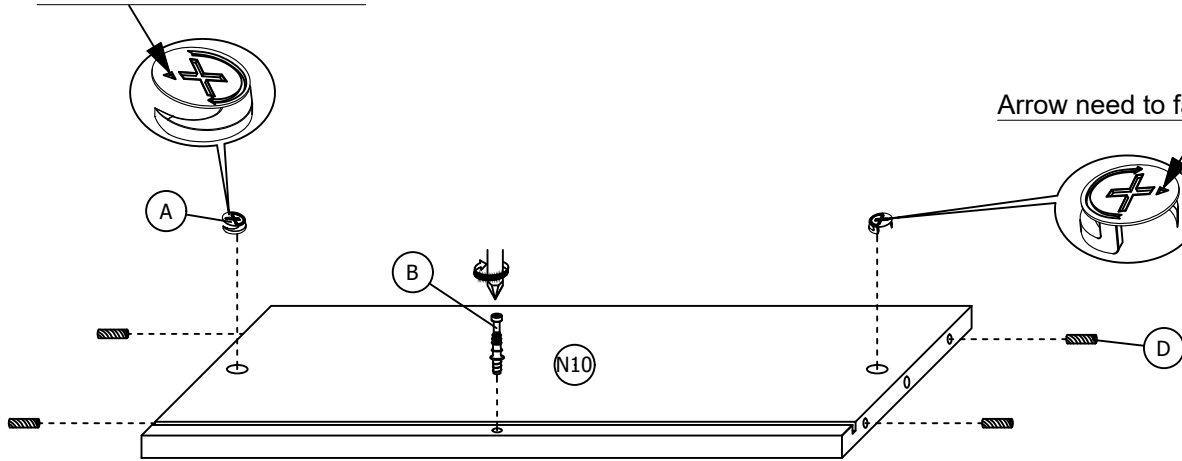
ASSEMBLY INSTRUCTION

STEP 14

Insert 2 pieces (A) , 1 piece (B) and 4 pieces (D) to (N10) as shown.

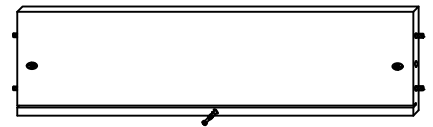
x 2

Arrow need to face outside.



Arrow need to face outside.

Assembled looks

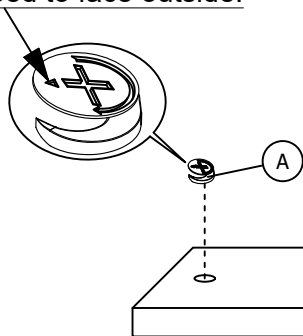


STEP 15

Insert 2 pieces (A) to (21) as shown.

x 2

Arrow need to face outside.



Arrow need to face outside.



Assembled looks

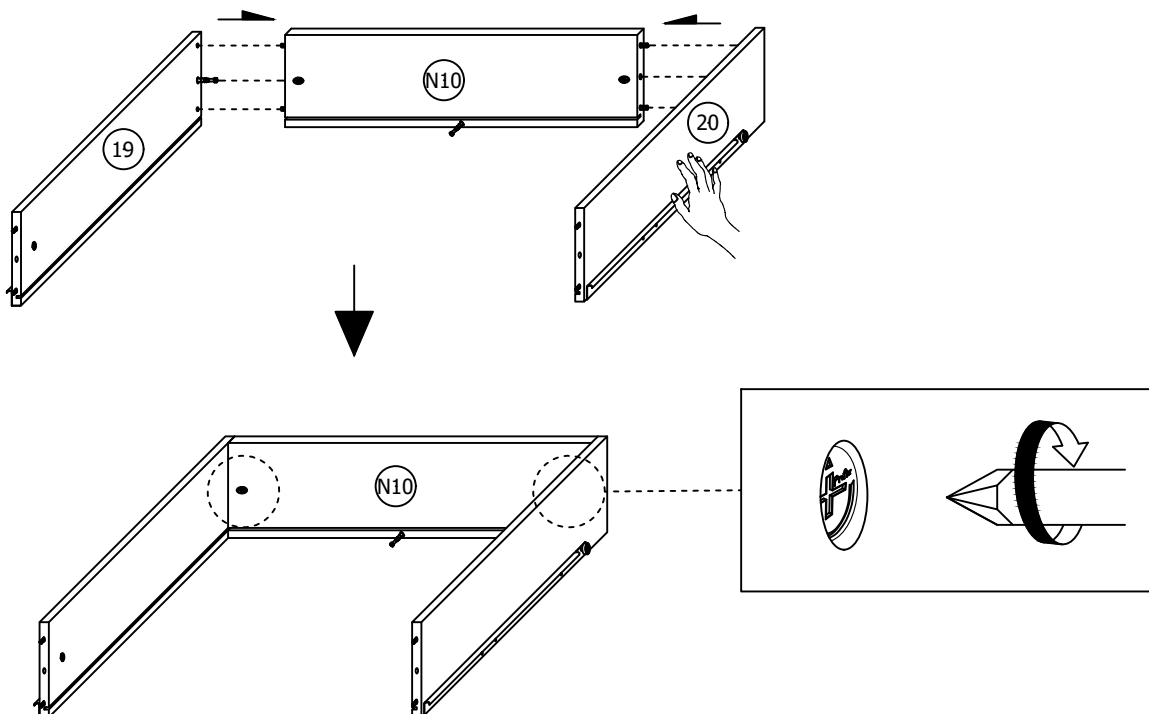


ASSEMBLY INSTRUCTION

STEP 16

Combine the (19) and (20) to the (N10) . Then tighten the 2 pieces (A)-(pre-insert in step 14) as shown.

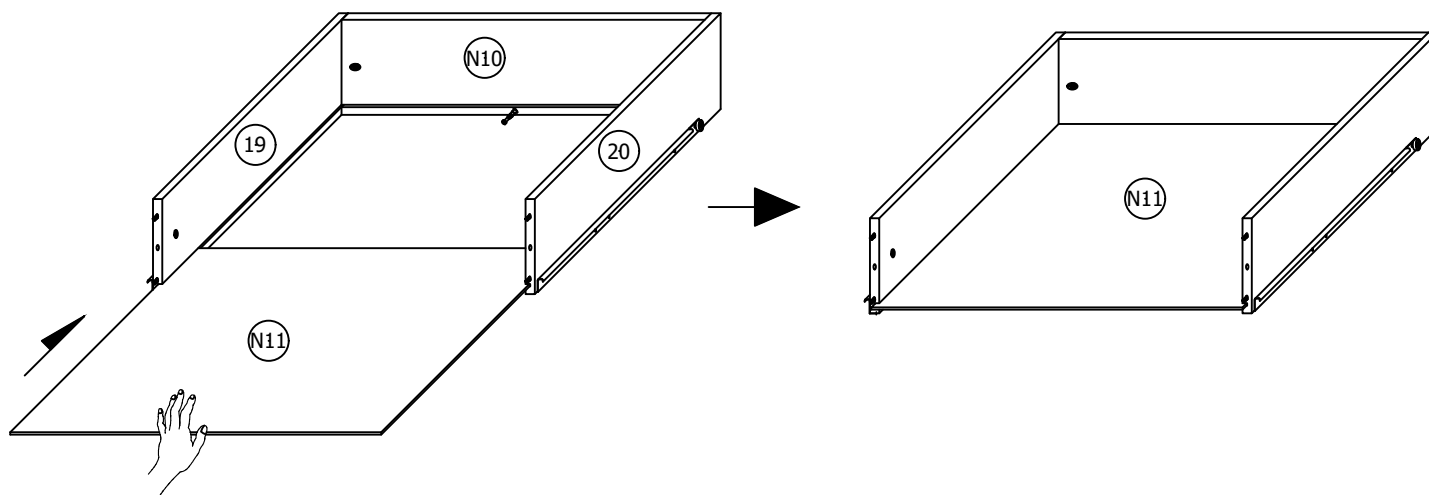
x 2



STEP 17

Put the (N11) into the gap of (19),(20) and (N10) as shown.

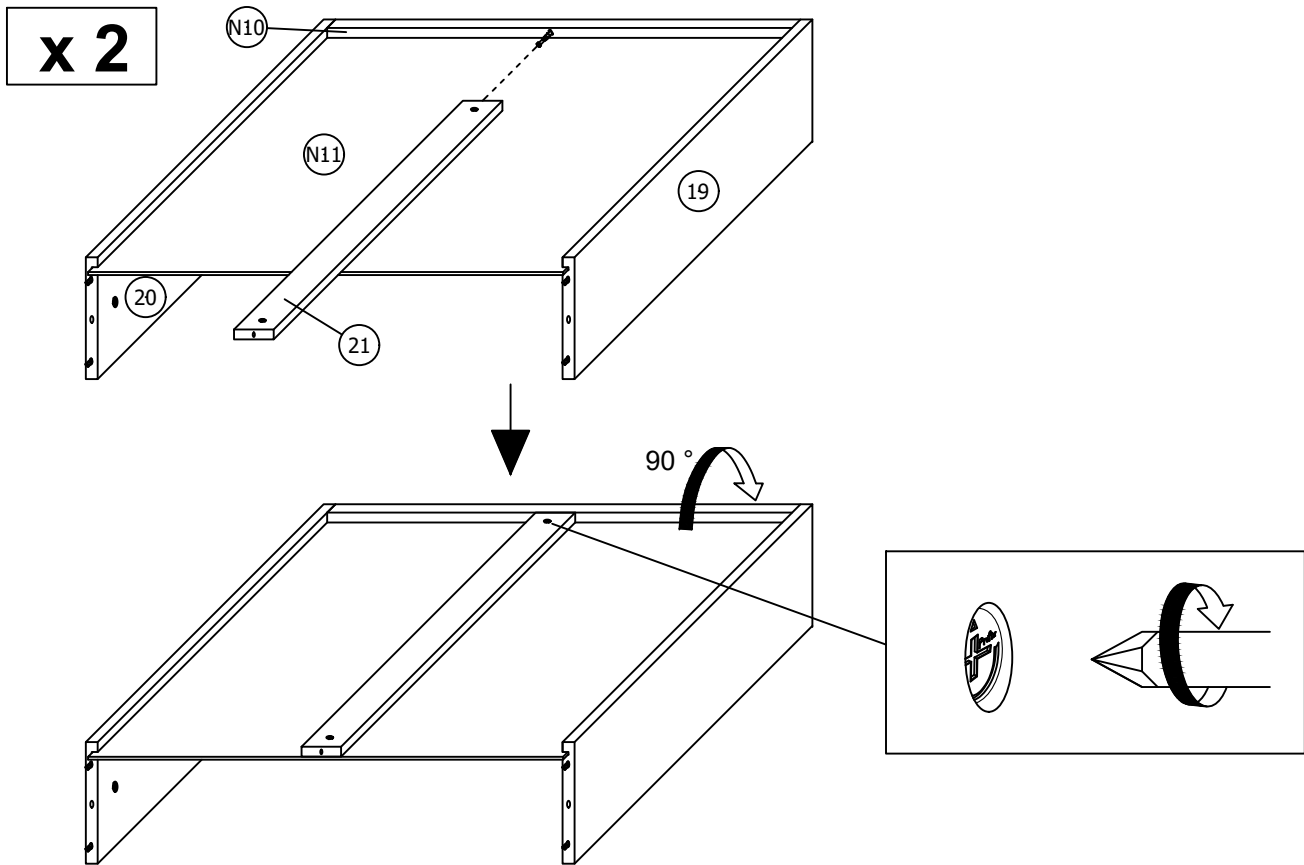
x 2



ASSEMBLY INSTRUCTION

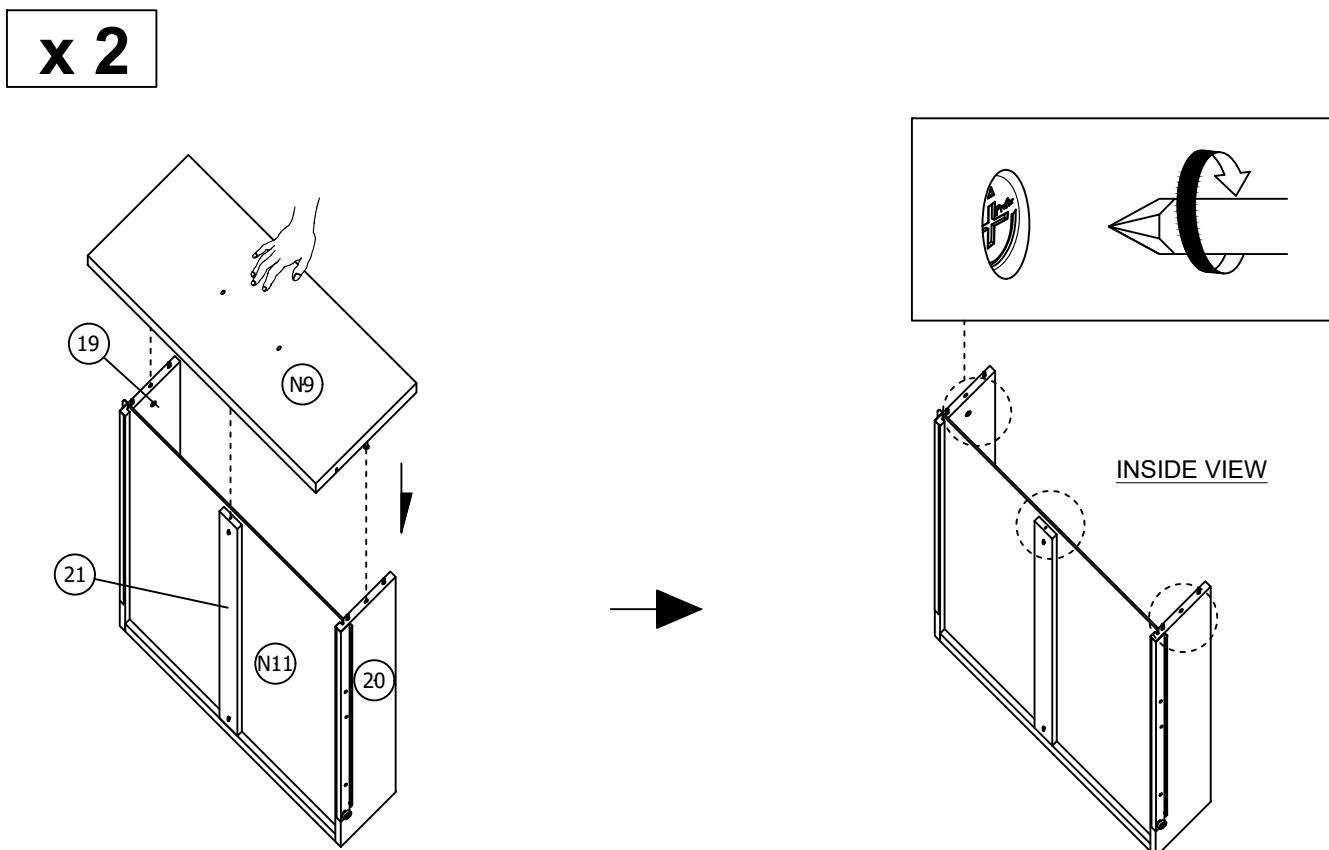
STEP 18

Combine the (21) to the (N10) then tighten the 1 piece (A)-(pre-insert in step 15) as shown.



STEP 19

Combine the (N9) to the drawer frame. Then tighten the 3 pieces (A)-(pre-insert in step 12,13 and 15) as shown.

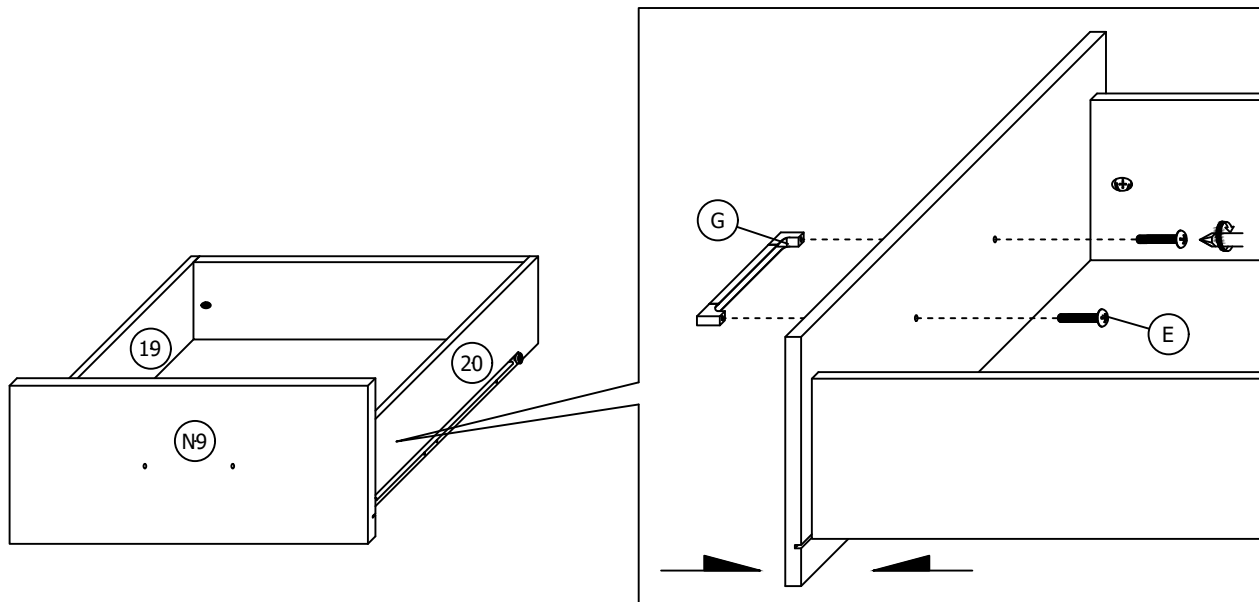


ASSEMBLY INSTRUCTION

STEP 20

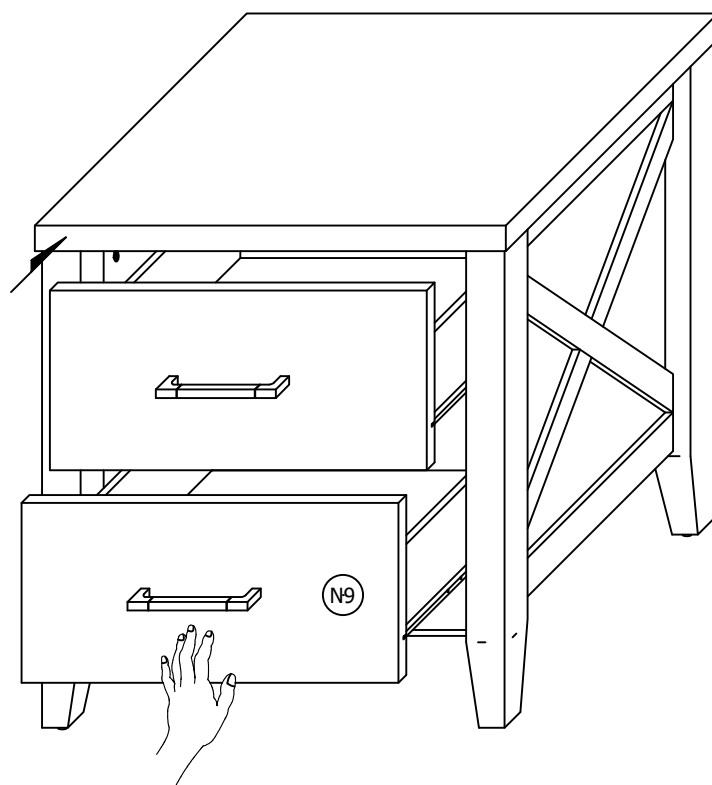
Insert 2 pieces (E) fix the (G) as shown.

x 2



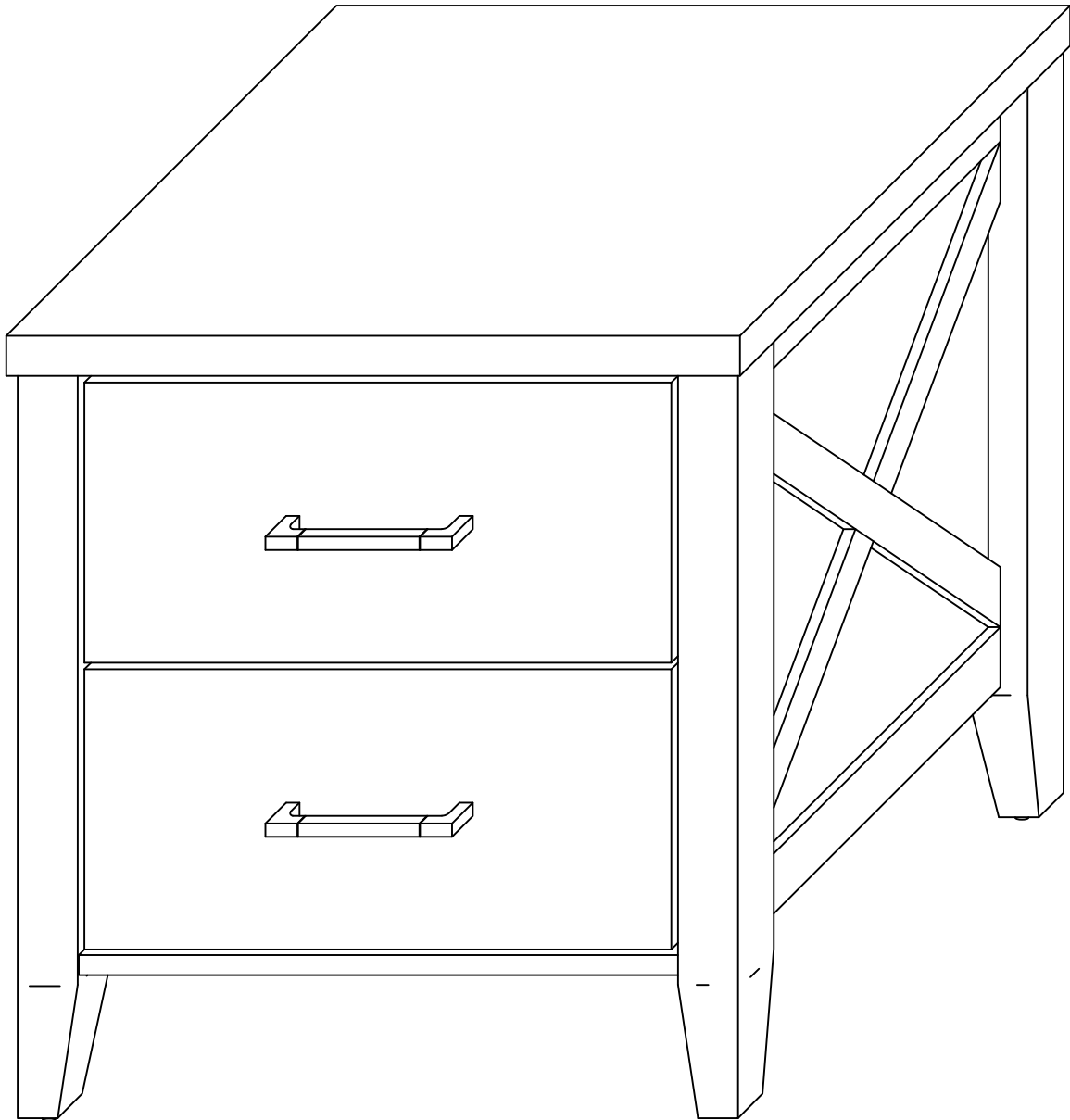
STEP 21

Align the position then push the 2 pieces drawer to inside exactly as shown.



ASSEMBLY INSTRUCTION

STEP 22



ASSEMBLY COMPLETED