




Assembly Instructions  
Bed  
King Size (Eastern)

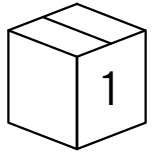
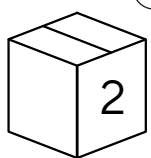
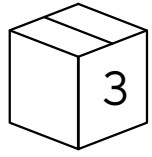


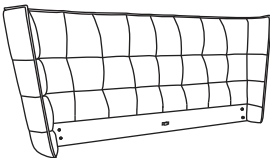
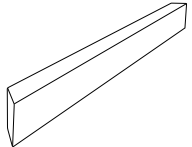

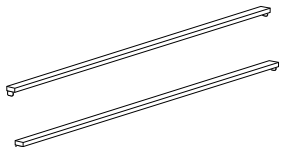
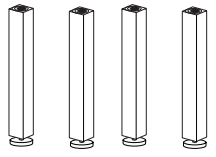
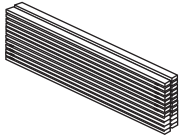
# Assembly Items

<p>(A)</p>  <p>M4 Allen Key x 1pc</p>	<p>(B)</p>  <p>M5 Allen Key x 1pc</p>	<p>(C)</p>  <p>Legs x 4pcs</p>
--	--	--

## Parts List

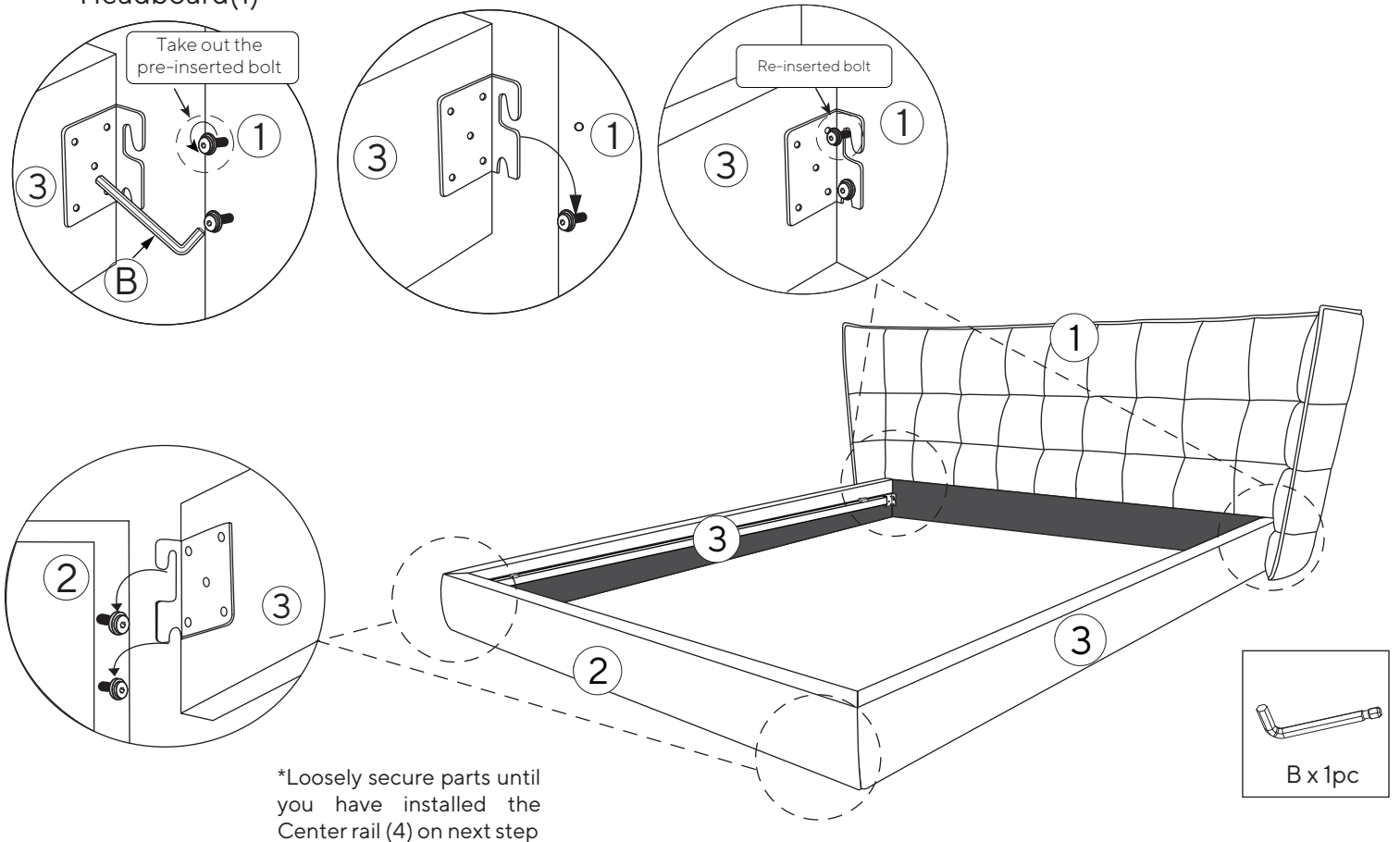
Numbered parts can be found in the following numbered boxes

 <p>1</p>	<p>Assembly items pack</p>  <p>2</p> <p>(2) (3) (4) (5)</p>	 <p>3</p> <p>6</p>
--	--	---

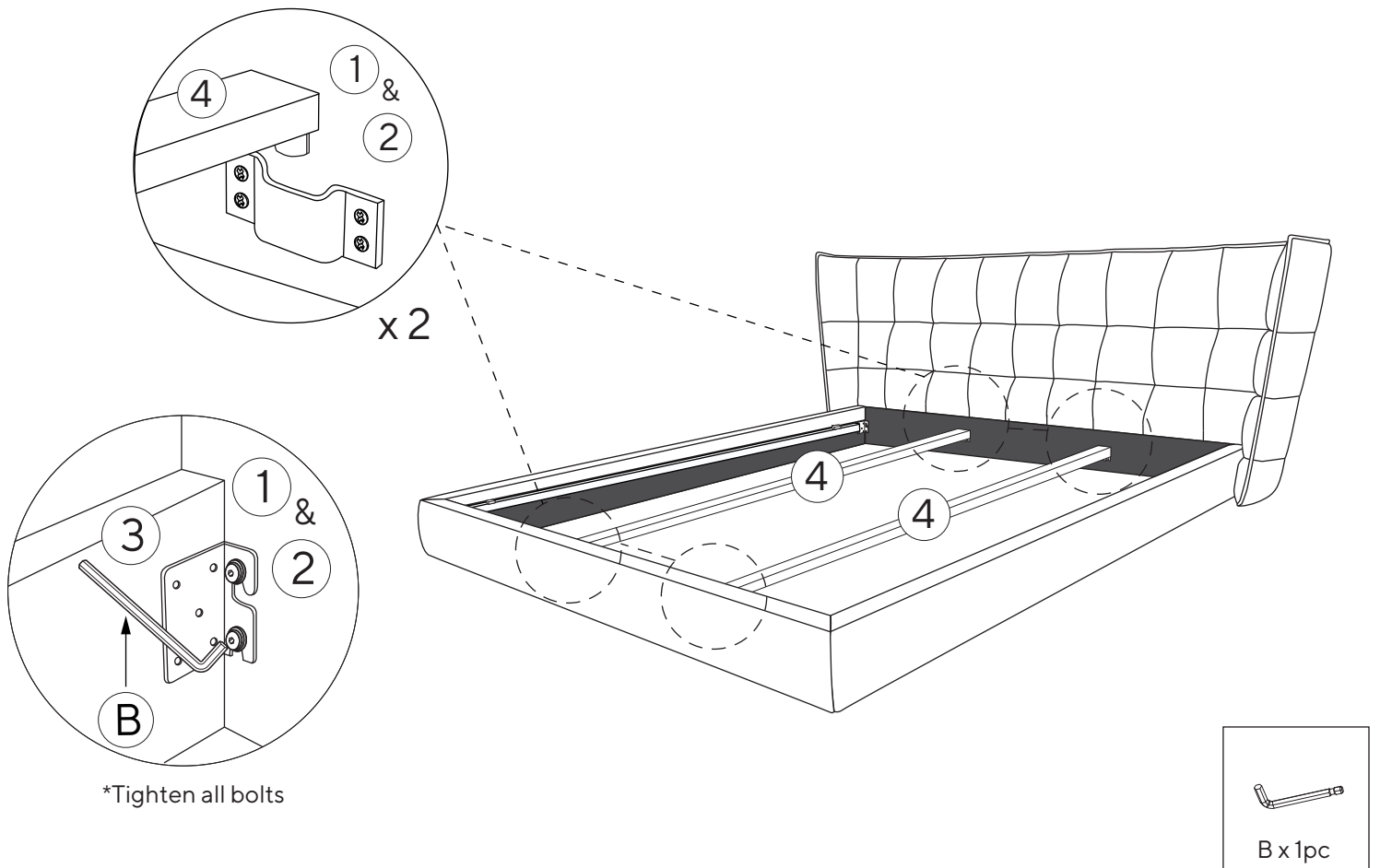
<p>(1)</p>  <p>Headboard x 1pc</p>	<p>(2)</p>  <p>Footboard x 1pc</p>	<p>(3)</p>  <p>Side Rails x 2pcs</p>	<p>(4)</p>  <p>Center Rails x 2pcs</p>
<p>(5)</p>  <p>Support Legs x 4pcs</p>	<p>(6)</p>  <p>Slats x 1 set</p>		

# Step 1

## Headboard(1)

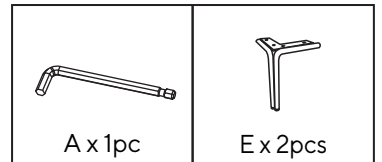
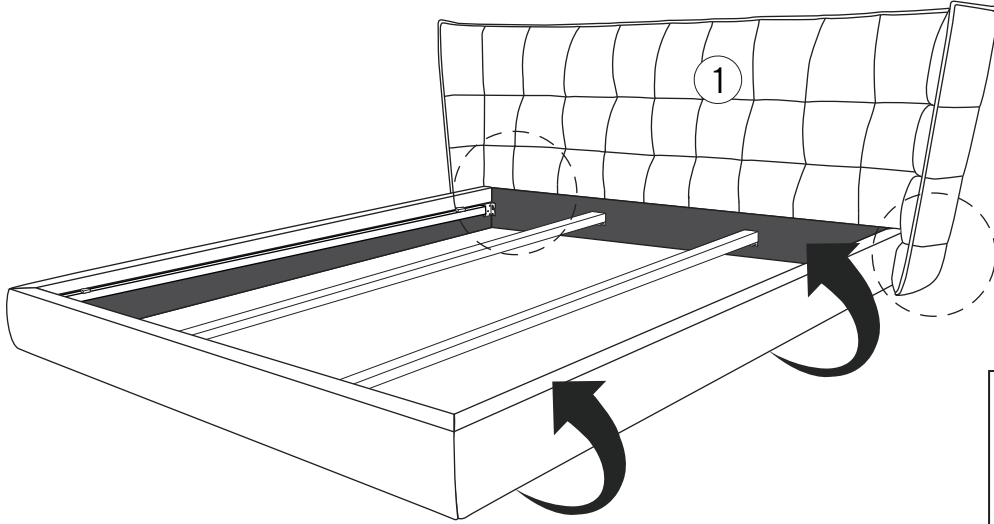
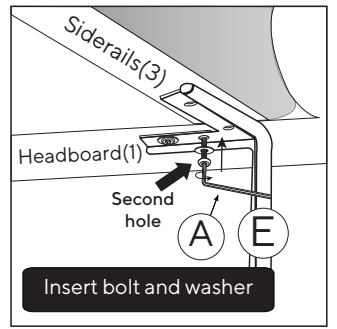
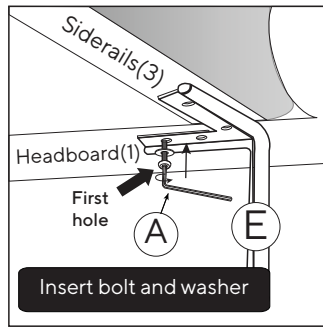
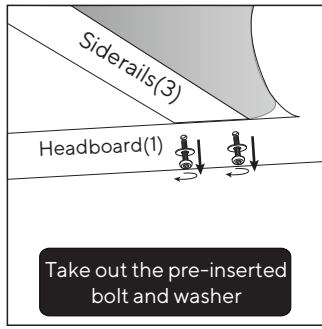


# Step 2



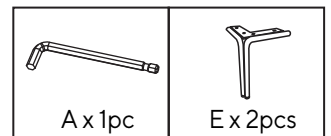
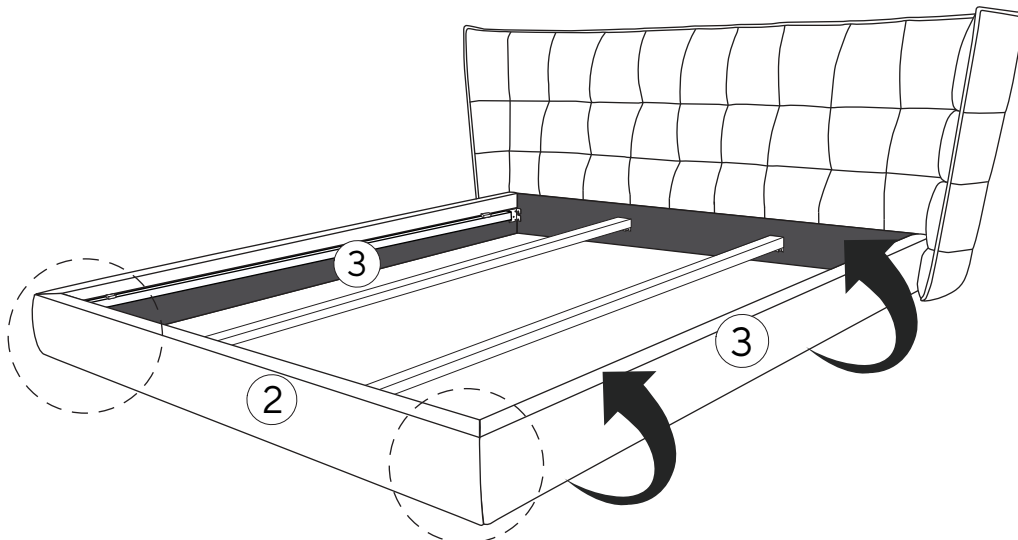
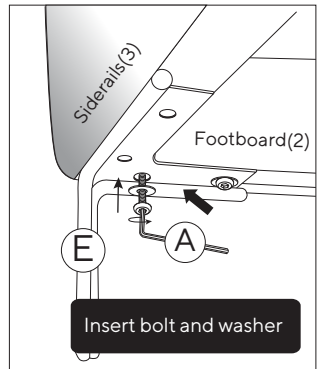
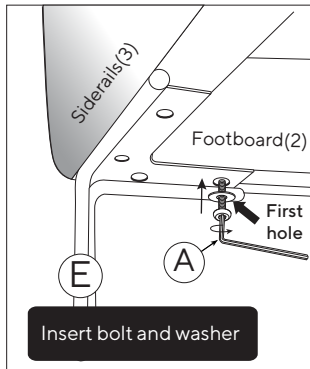
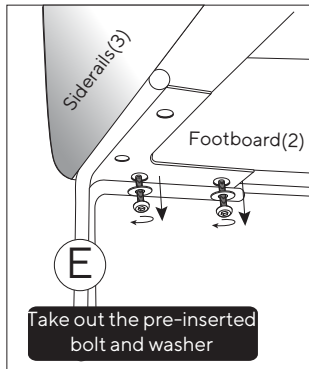
# Step 3

Headboard(1)



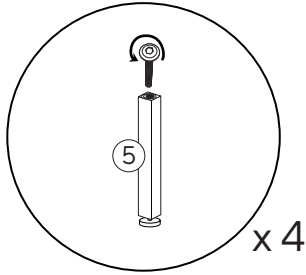
# Step 4

Footboard(2)

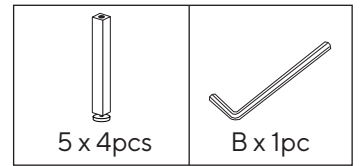
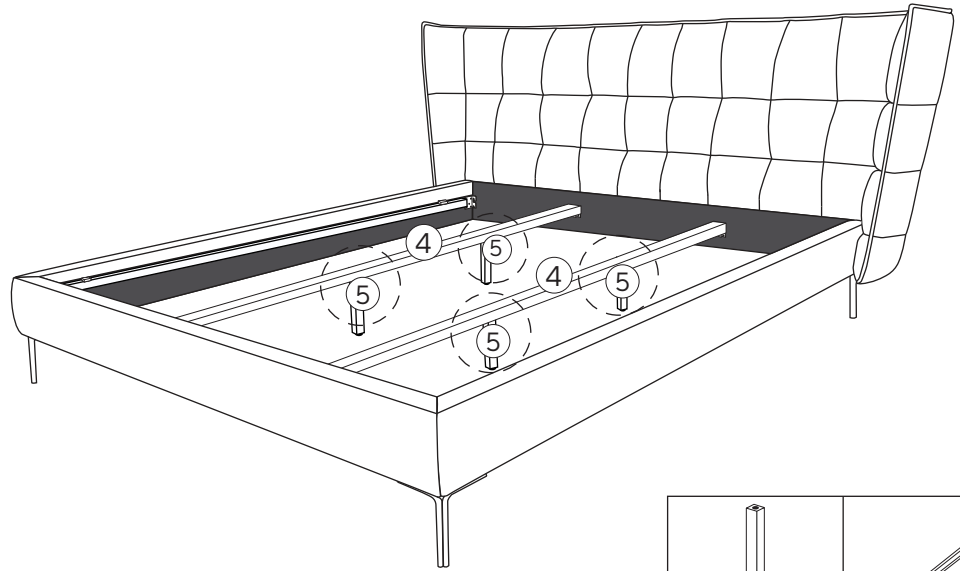
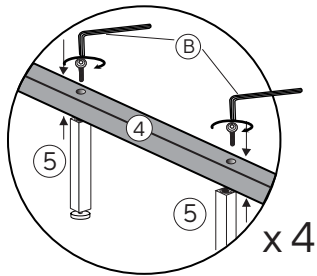


# Step 5

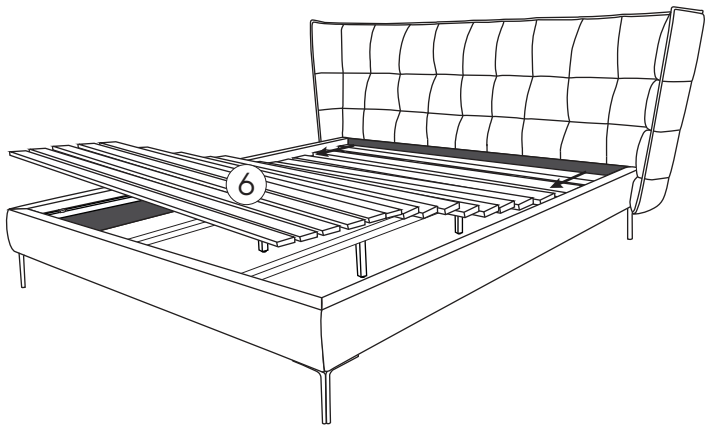
Take-out  
Pre-inserted Bolt



Re-insert the Pre-inserted Bolt  
passes through Center Rail



# Step 6



Your bed is ready.

