

4064
LED-UL



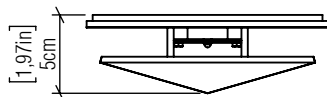
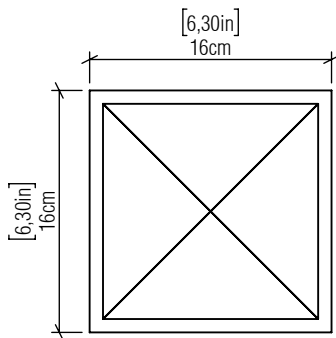
Project name:
Date: Specifier:
Line: Faceted
Family: Wall
Description: Faceted Accord Wall Lamp 4064

Material: Natural Wood Veneer and MDF
Weight:

Integrated LED Module 1 unit Driver Housed in the Junction box
Dimmable 0-10V dimming

Color Temperature: 2700K, 3000K or 3500K
CRI: 90
Luminous Flux: 1100lm
Delivered Lumens: 550lm
Total Power: 8,1W

Input Voltage: 110V - 277V
Input Frequency: 60 Hz
Isolation: Class II



FINISHING OPTION:

 02 MATTE BLACK	 27 GOLD
 06 IMBUIA	 29 TEAL
 07 WHITE	 30 OLIVE GREEN
 09 LOURO FREIJÓ	 31 FERRARI RED
 12 TEAK	 32 COPPER
 15 CAPPUCCINO	 33 BRONZE
 18 AMERICAN WALNUT	 34 MAPLE
 22 GLOSSY BLACK	 38 PALE GOLD
 25 IREDESCENT WHITE	 39 LEAD GREY
 26 LIGHT PINK	 40 SATIN BLUE