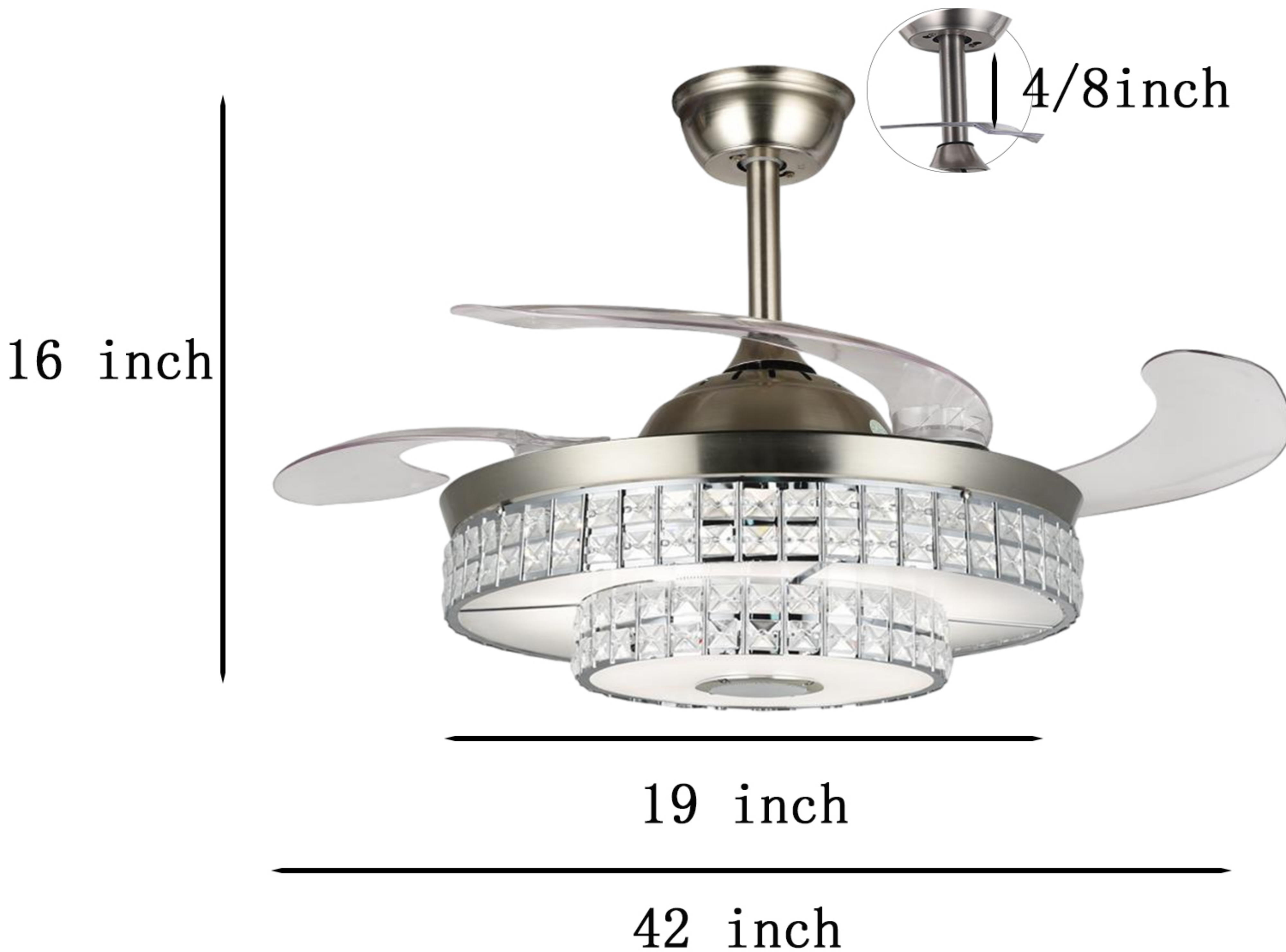


PRODUCT DIMENSION



PRODUCT DIMENSION

