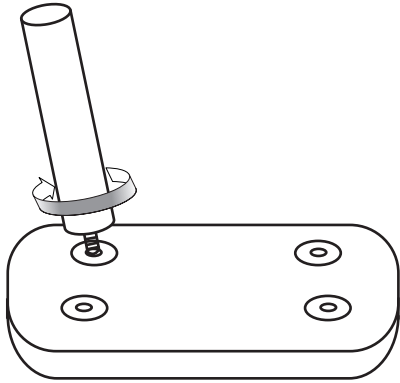


Teak Step Stool

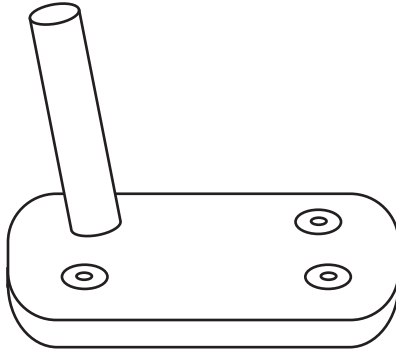
Package Content

Wood Slab x 1 Wood Leg x 4

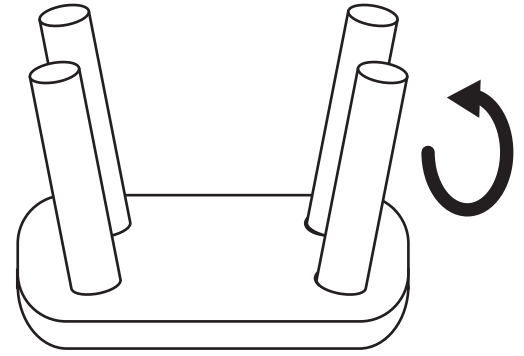
1.



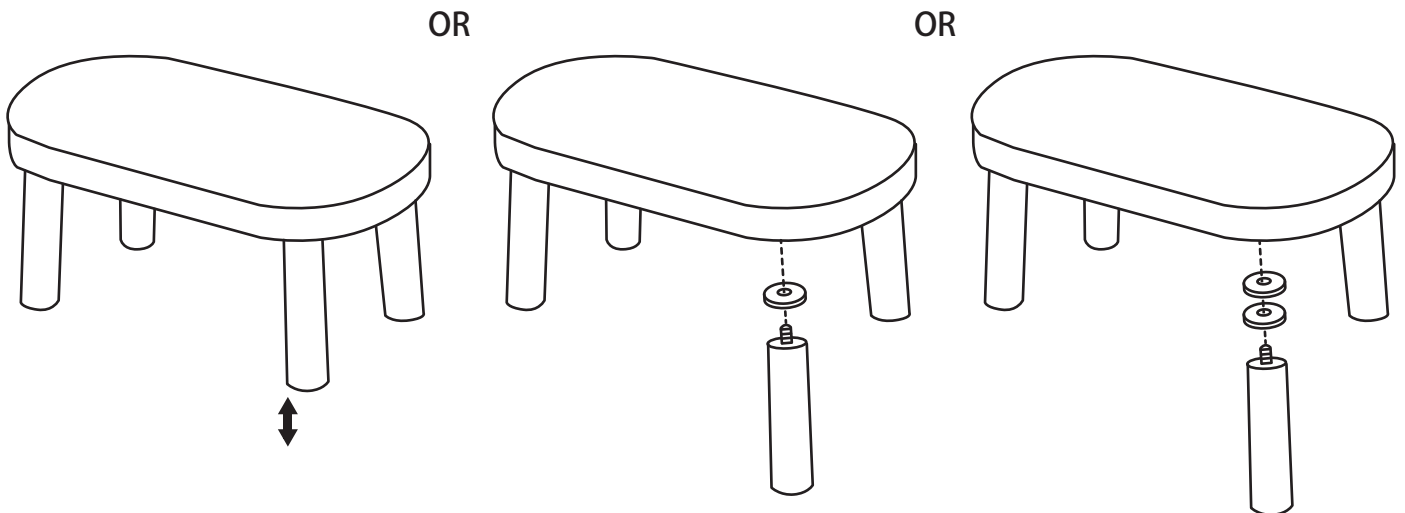
2.



3.



4.



Adjusting Uneven Legs:

Due to the handmade nature of this product, slight variations in leg height may occur.

Use the provided shims to correct any imbalance.

Based on the gap between the leg and the floor, you can stack one or more shims to the shorter leg(s) to level the stool.

DISCLAIMER: Install our products according to instructions provided.

We are not responsible for injury or damage resulting from incorrect installation or use.

For assistance with installation or missing parts, please contact us via customerservice643@gmail.com

* The emission of the chemicals listed in Prop 65 in this product has been tested to meet the standard of CARB ATCM.