

## PRODUCT FEATURES

- Designed with two blades of LED light shaped by elegant glass-acrylic cylinders
- Mounts horizontally or vertically. The LED Driver is housed within the junction box for this product
- Coordinate with the entire Linger family, including Chandeliers, Linear Suspension, Pendant and 1-Light Wall Sconce
- This item is made of natural brass. It is a living finish that will patina and warm with age which adds richness. If it gets an uneven patina or spots, a brass cleaner can restore the finish
- The LED Driver is housed within the junction box for this product
- Protected by a 5-year warranty, please visit the "About Us" Page on [techlighting.com](http://techlighting.com) for more for warranty details



## LAMPING

Includes 120 volt 17.4 watts, 1145 delivered lumens, 3000K LED module. Dimmable with most LED compatible ELV and TRIAC dimmers. 277V compatible with 0-10V dimmers. Mounts horizontally or vertically. ADA compliant. Ships with (1) 7.5IN and (2) 13.5IN additional pieces of glass for customization.

Nightshade Black 3/4



To view all available finish options, please visit [techlighting.com](http://techlighting.com)

## ORDERING INFORMATION

| 700BCLNG | SHAPE OR SIZE    | FINISH                    | LAMP   |
|----------|------------------|---------------------------|--|
|          | 2-2-LIGHT VANITY | <b>NB</b> NATURAL BRASS   | -LED930 INTEGRATED LED 90 CRI 3000K 120V (T24) |
|          |                  | <b>B</b> NIGHTSHADE BLACK | -LED930-277 INTEGRATED LED 90 CRI 3000K 277V   |
|          |                  | <b>N</b> POLISHED NICKEL  |  |

700BCLNG \_\_\_\_\_

JOB NAME \_\_\_\_\_

NOTES \_\_\_\_\_

\_\_\_\_\_

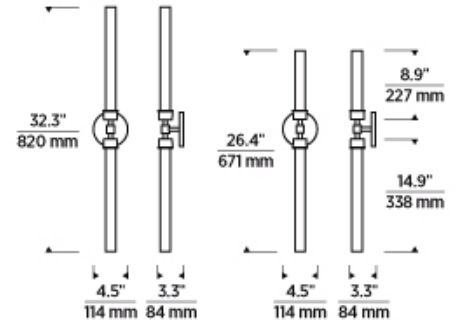


# LINGER WALL/BATH



## SPECIFICATIONS

|                   |            |
|-------------------|------------|
| HARDWARE MATERIAL | Metal      |
| SHADE MATERIAL    | Glass      |
| NET WEIGHT        | 3 lbs      |
| HEIGHT            | 32.3in     |
| WIDTH             | 3.3in      |
| LENGTH            | 4.5in      |
| WET LISTED        |            |
| DAMP LISTED       | Yes        |
| DRY LISTED        |            |
| GENERAL LISTING   | ETL Listed |
| INCLUDES          |            |



## LAMPING SPECIFICATIONS

|                       | LED LAMP | INTEGRATED LED      | NON LED | NO LAMP |
|-----------------------|----------|---------------------|---------|---------|
| DELIVERED LUMENS      |          | 1145                |         |         |
| WATTS                 |          | 17.4                |         |         |
| MAX WATTAGE PER BULB  |          | 17.4W               |         |         |
| INPUT VOLTAGE         |          | 120VV<br>277VV      |         |         |
| DIMMING TYPE*         |          | ELV, TRIAC<br>0-10V |         |         |
| CCT                   |          | 3000K               |         |         |
| CRI                   |          | 90 CRI              |         |         |
| LED LIFETIME          |          |                     |         |         |
| L70                   |          | >50000              |         |         |
| AVERAGE BULB HOURS    |          |                     |         |         |
| FIELD SERVICEABLE LED |          |                     |         |         |
| LAMP BASE             |          | Integrated LED      |         |         |
| LAMP SHAPE            |          | Integrated LED      |         |         |
| LAMP INCLUDED?        |          | True                |         |         |
| WARRANTY**            |          | 5 Years             |         |         |

\* Dimming information available at [www.techlighting.com/Downloads#dimming](http://www.techlighting.com/Downloads#dimming)

\*\* Visit [techlighting.com](http://techlighting.com) for specific warranty limitations and details.

## T20 / T24 / JA8 INFORMATION

|   | Integrated LED | Replacement LED Lamp | No Lamp * |
|---|----------------|----------------------|-----------|
| This product can be used to comply with California Building Energy Efficiency Standards 2016 Title 24 Part 6 / JA8.                           | Yes            |                      |           |
| This product can be used to comply with California Appliance Efficiency Standards 2016 Title 20 and may be shipped to and sold in California. | N/A            |                      |           |

\* If a light fixture or component does not include a lamp or light source, it is the responsibility of the customer to select a lamp that meets the T24 and T20 requirements.

