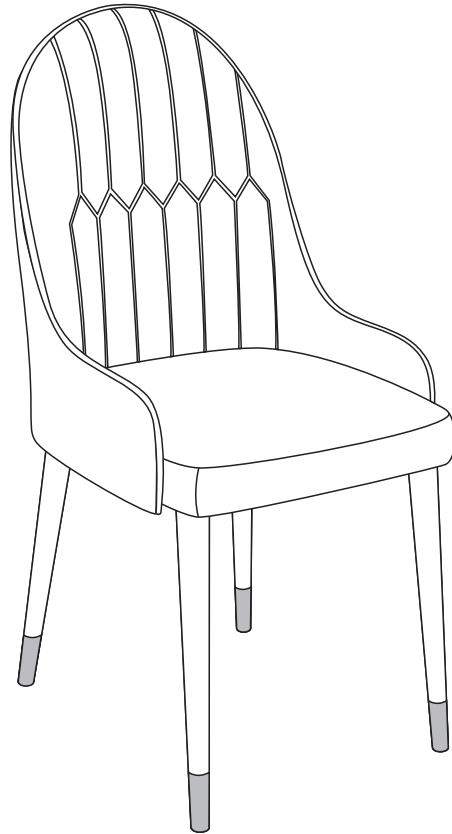


# Dining Chair

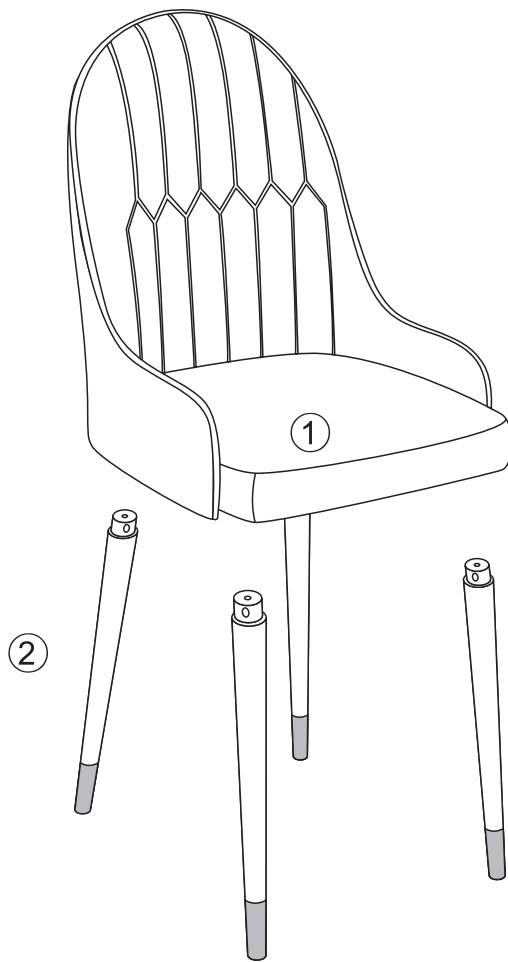


2 Persons

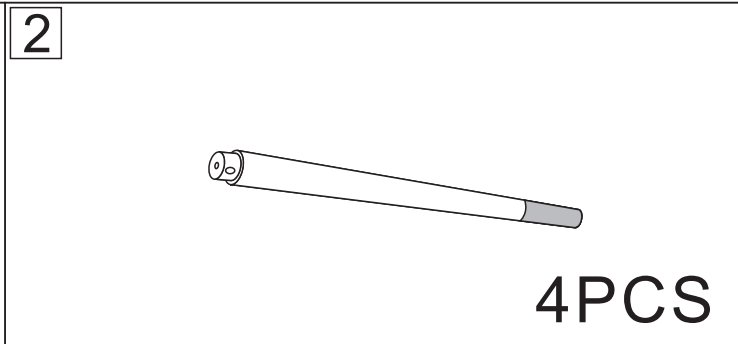
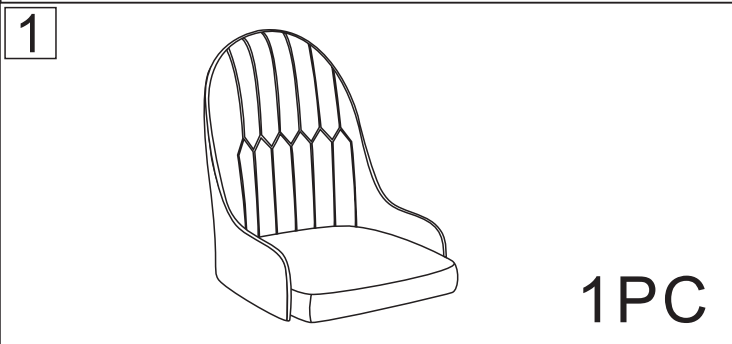
W54\*D51\*H92MM


## Installation Instructions

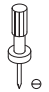
Notes: Don't tighten screws completely at first, just in case parts were assembled wrongly and need disassemble. Tighten screws at last when all parts are put together.



Disassembly and installation of accessories

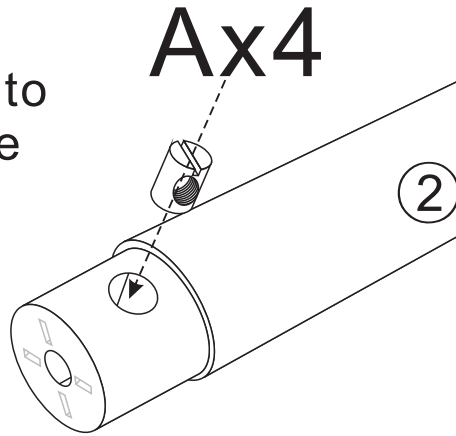



<b>A</b>	<b>4PCS</b>
	
15*10mm	


Tools Recommended

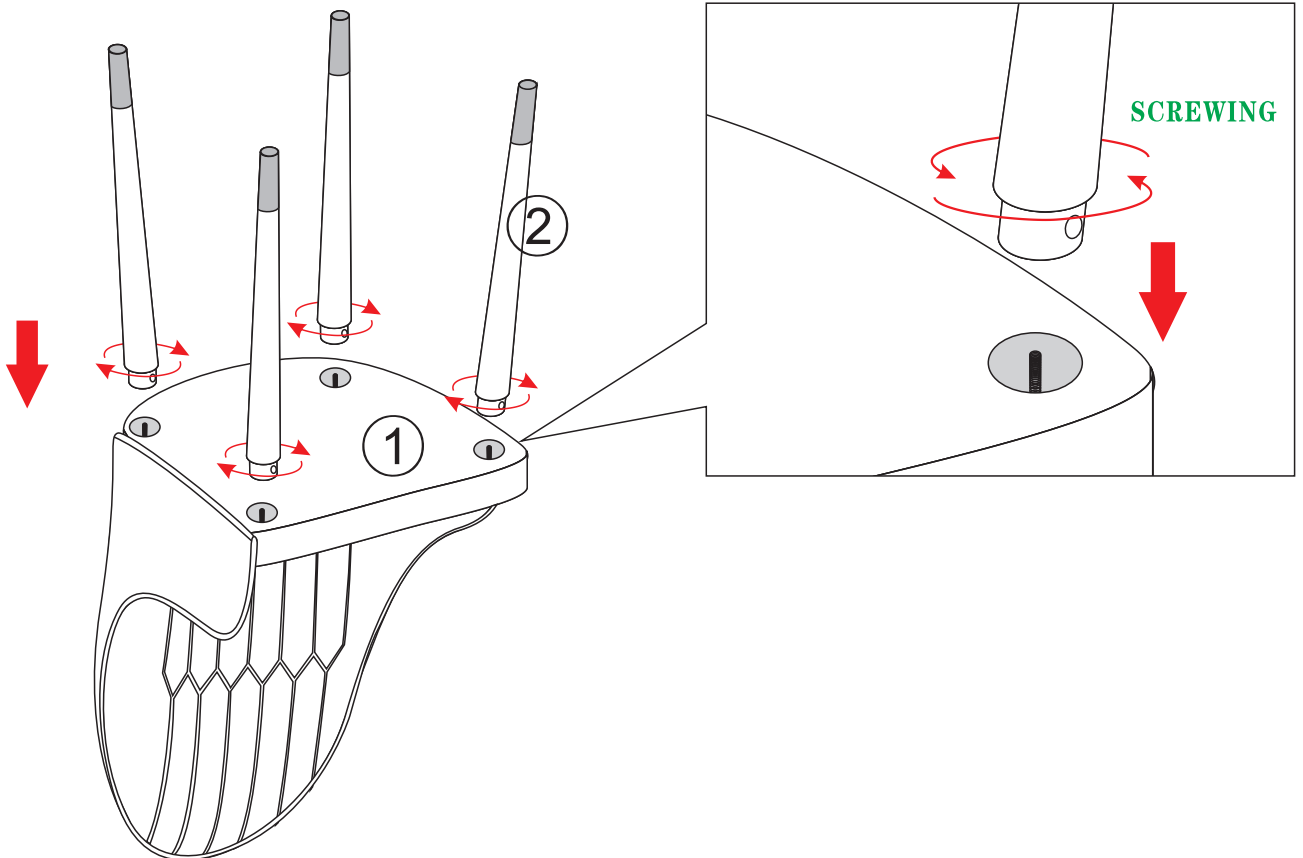
1

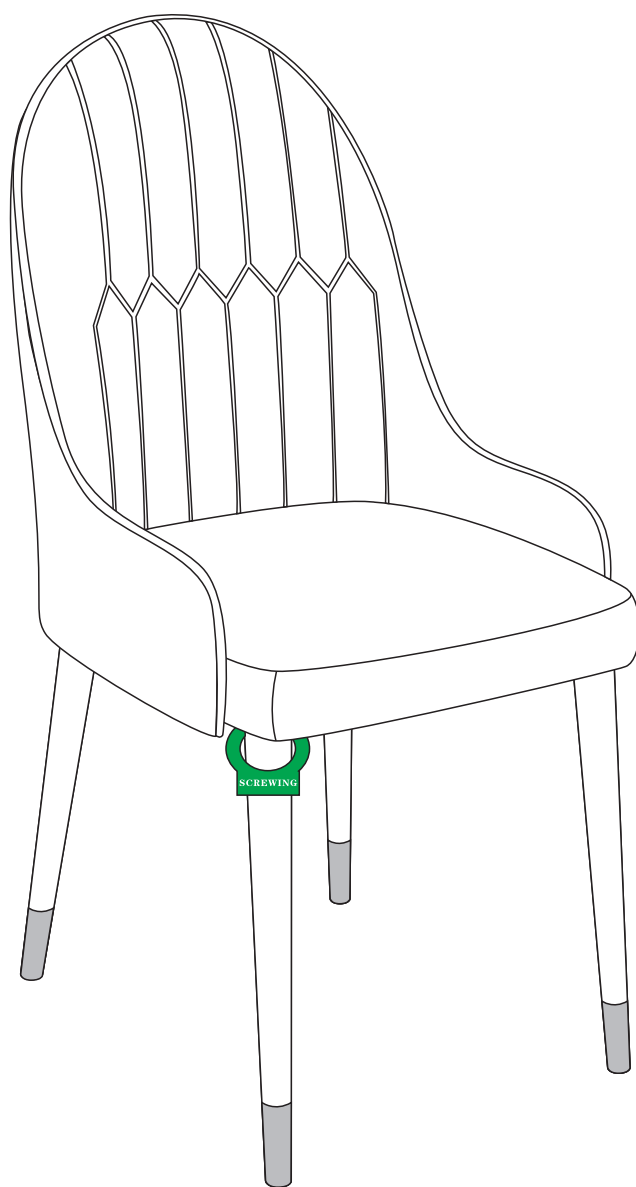
▲ Put the nut in to the hole of the chair foot



A	4PCS
	
15*10mm	

2





OK