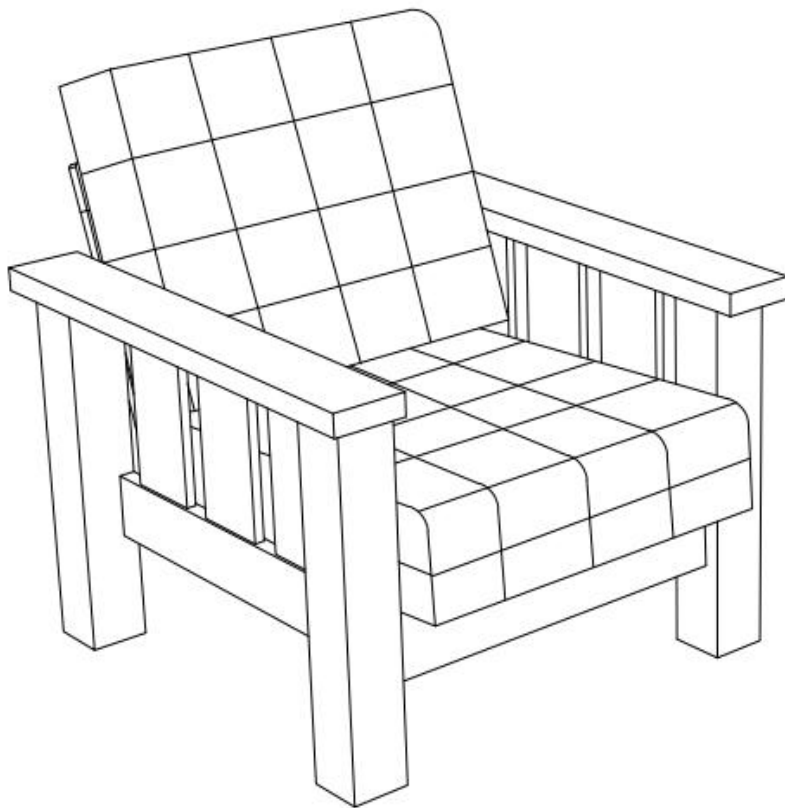


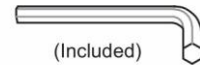
ASSEMBLY INSTRUCTIONS



TOOLS REQUIRED



Screwdriver
(Not included)



(Included)
Allen Wrench



2 - People

ASSEMBLY RATING



EASY —————> DIFFICULT

The Assembly Rating is a 5-point system showing the level of effort needed to assemble a specific product.



CHECK BEFORE STARTING

Are you missing anything?

Double-check all parts, hardware and accessories listed are all accounted for.

Check out our Quick Tips!

We recommend reviewing the pre-assembly handouts. Even experts need a refresher now and then!

Should we send any replacements?

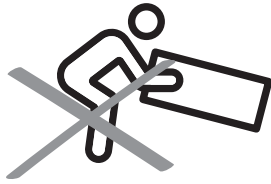
Are there any irregularities or flaws in the parts? We can send replacements!

Prep Time!

Please review the assembly instructions and all diagrams prior to assembling.

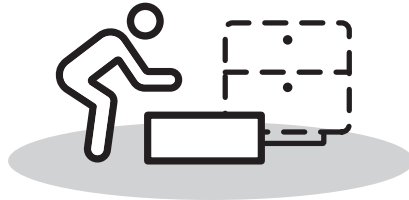
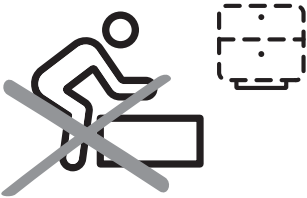
PRE ASSEMBLY INTRODUCTION

We understand building ready-to-assemble furniture can be a challenging experience for some. To help avoid confusion, we have provided some helpful tips that may speed up the process.



Teamwork

ALWAYS have at least two people to help with transporting and assembling the product to avoid potential injury and/or damage.



Suitable Location

Assembling near the area of the intended location is highly recommended.



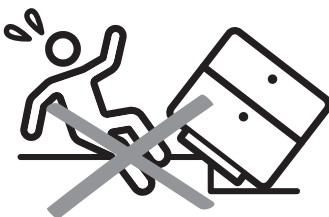
Sufficient Space

Make sure you have enough space to move around during the assembly.



Avoid Scratches

Use cardboard, blankets or a carpeted area while assembling furniture to prevent scratches and damages.



Flat Surface

Make sure the furniture rests on a flat and level surface with each leg evenly touching the floor.

ASSEMBLY AND CARE ADVICE



**FAILURE TO FOLLOW THE GUIDELINES BELOW MAY
RESULT IN INJURY AND/OR PROPERTY DAMAGE.**



Position each part correctly
and insert screws or bolts into
their respective holes.



Turn clockwise to tighten and
only tighten when step is
completed or when instructed
to do so.



Use the appropriate hand tools
or power tools for assembly.
Select steps, such as tightening
screws and/or bolts, may require
hand tools to avoid causing
damage during assembly.



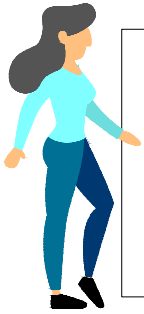
Save the instructions and store
any supplied tools for later
maintenance.



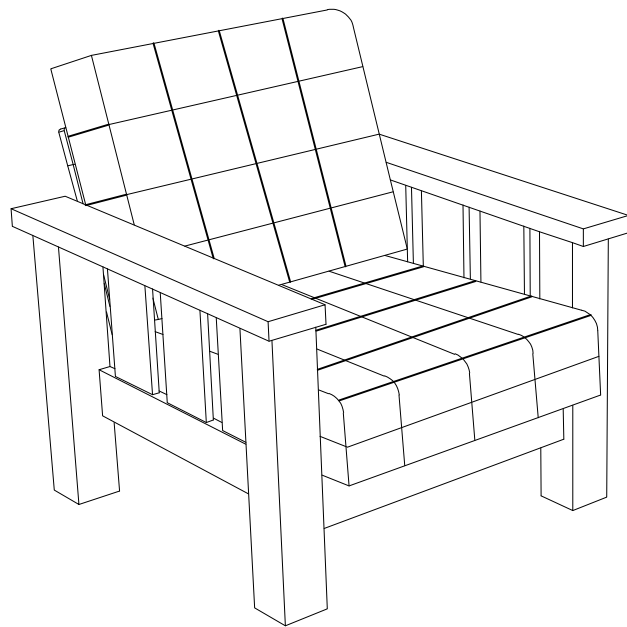
After two weeks, check and
tighten any loose hardware and
repeat again every six months
thereafter.

IT IS THE USER'S RESPONSIBILITY TO MAINTAIN THE FURNITURE. THE HARDWARE MAY LOOSEN OVER TIME AND MAY CAUSE THE FURNITURE TO BE WOBBLY AND UNABLE TO SUPPORT ITS INTENDED WEIGHT CAPACITY. THIS MAY LEAD TO COLLAPSE AND MAY CAUSE SERIOUS INJURY.

CHAIR



- Please keep instructions for future reference.
- Check the quantity and irregularity of parts and hardware before you start.



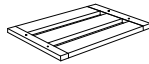
PARTS

#1 1pc



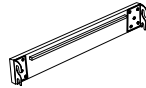
Back Rest

#2 1pc



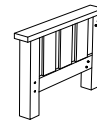
Seat Panel

#3 1pc



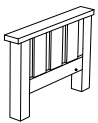
Front Rail Support

#4L 1pc



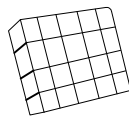
Arm Rest (Left)

#4R 1pc



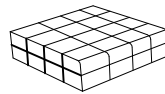
Arm Rest (Right)

#5 1pc



Back Cushion

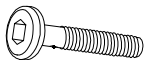
#6 1pc



Seat Cushion

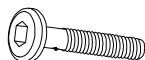
HARDWARE

#A 2pcs



Bolt 1/4" x 2-3/8"

#B 2pcs



Bolt 1/4" x 3-9/16"

#C 4pcs



Lock Washer 1/4"

#D 4pcs



Flat Washer 1/4"xØ16

#E 2pcs



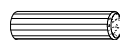
Barrel Nut 1/4"

#F 4pcs



Csk Screw M4x32mm

#G 4pcs



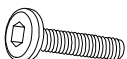
Wood Dowel 10x30mm

#H 1pc



Allen Wrench 4mm

#I 4pcs



Bolt 5/16" x 1-3/8"

#J 4pcs



Lock Washer 5/16"

#K 4pcs



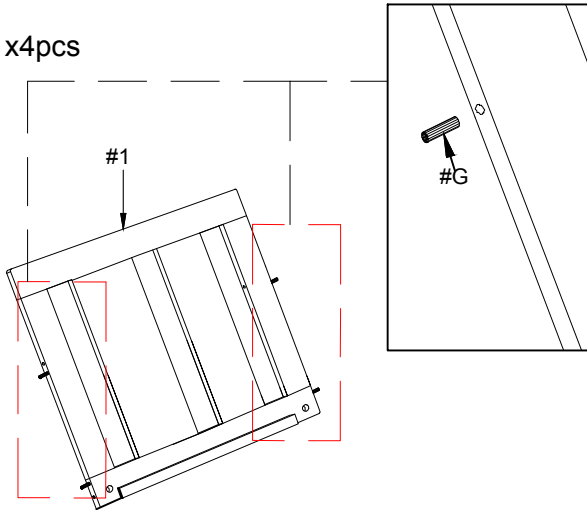
Flat Washer 5/16"xØ19

ASSEMBLY INSTRUCTIONS

1

Insert dowels (#G) into the holes of the backrest (#1).

Part #1 x1pc
Hardware #G x4pcs

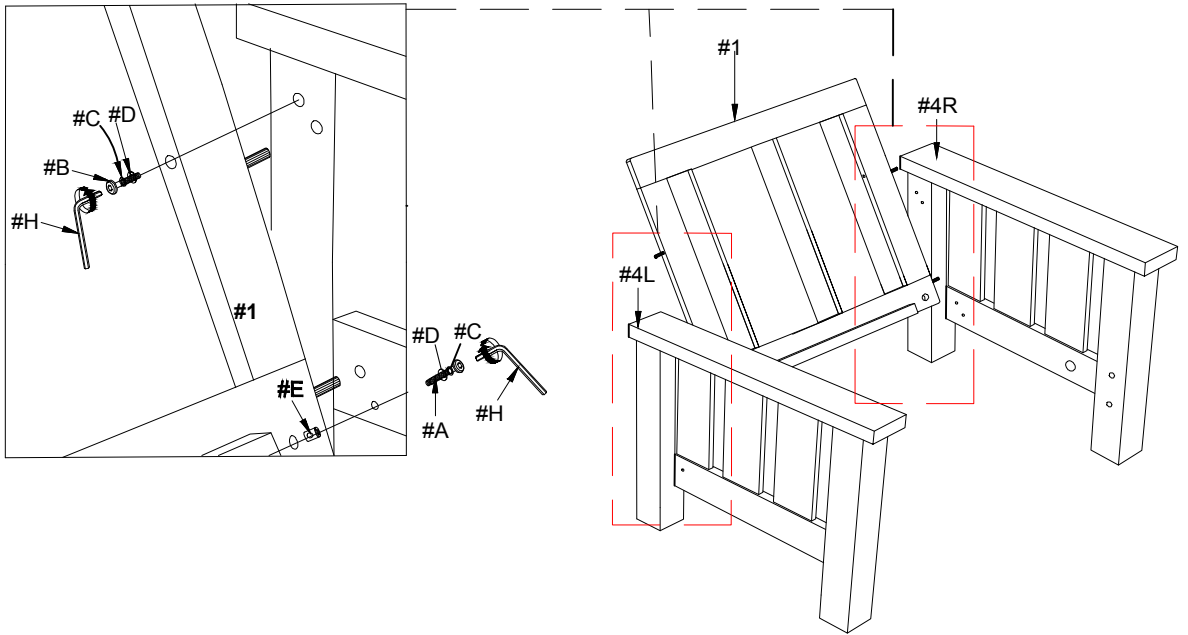


Align backrest (#1) to armrest (#4L, 4R). Insert bolts (#A) through washers (#C, D), through lowest armrest (#4L,4R) holes and lock with barrel nut (#E). Repeat with bolts (#B), insert through washers (#C, D) before inserting into highest armrest holes.

Note: Do not tighten until all bolts are locked.

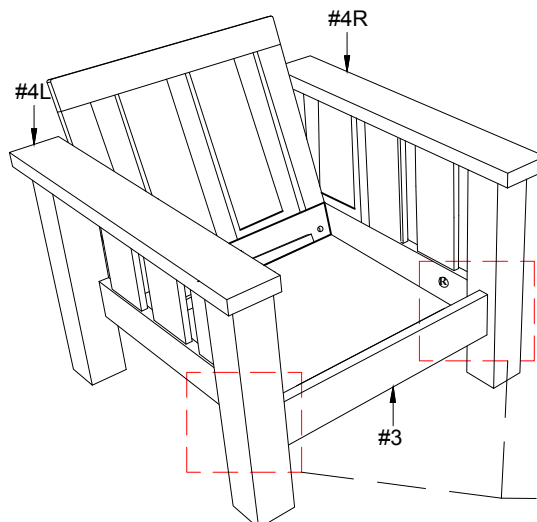
2

Part #1 x1pc
Part #4L x1pc
Part #4R x1pc
Hardware #A x2pcs
Hardware #B x2pcs
Hardware #C x4pcs
Hardware #D x4pcs
Hardware #E x2pcs

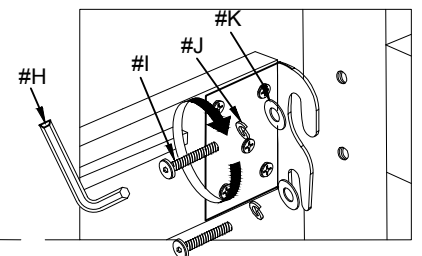


3

Part #3 x1pc
Hardware #I x4pcs
Hardware #J x4pcs
Hardware #K x4pcs



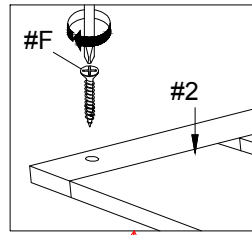
Place the rail (#3) to armrests (#4L, 4R). Secure using bolts (#I) with washers (#K, J).



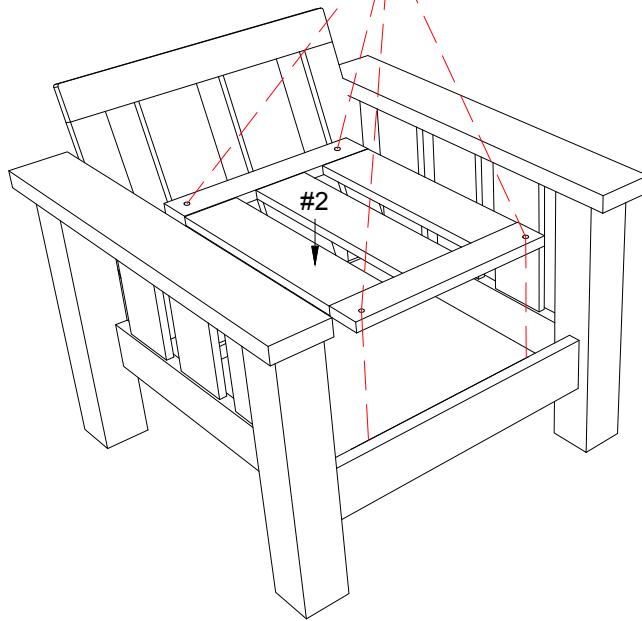
ASSEMBLY INSTRUCTIONS

4

Part #2 x1pc
Hardware #F x4pcs

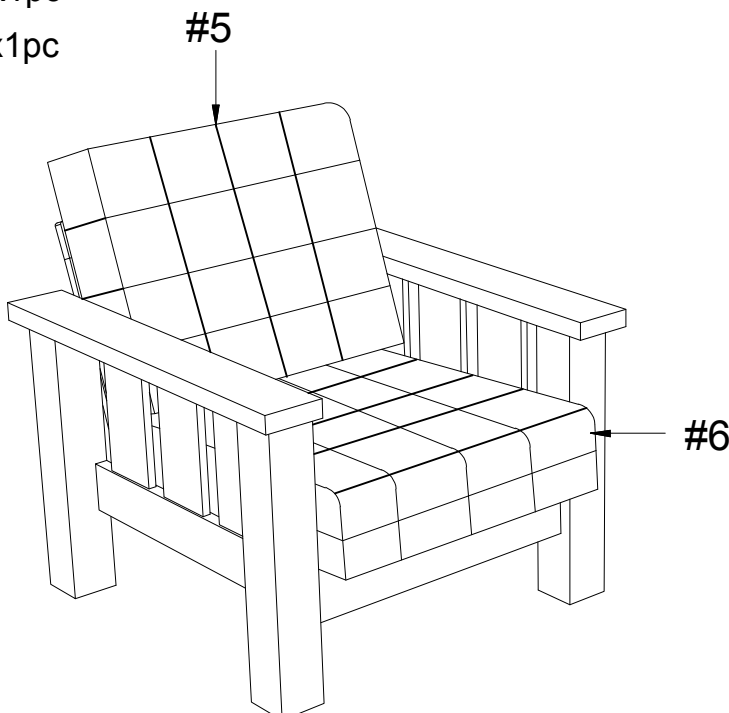


Align seat panel (#2) to frame and secure with screws (#F).



5

Part #5 x1pc
Part #6 x1pc



ASSEMBLY COMPLETED



Please ensure the furniture rests on an even and flat surface. If the product wobbles or feels loose, double-check all bolts and/or screws are properly tightened and secured.



Keep this handy!

Please retain this instruction manual and any order-related information for future reference.



Lift, don't drag!

To avoid damage to product please always LIFT the product when transporting or adjusting the placement.