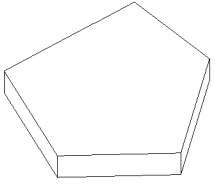
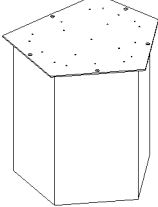
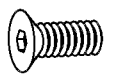
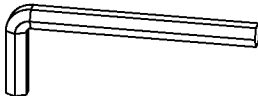
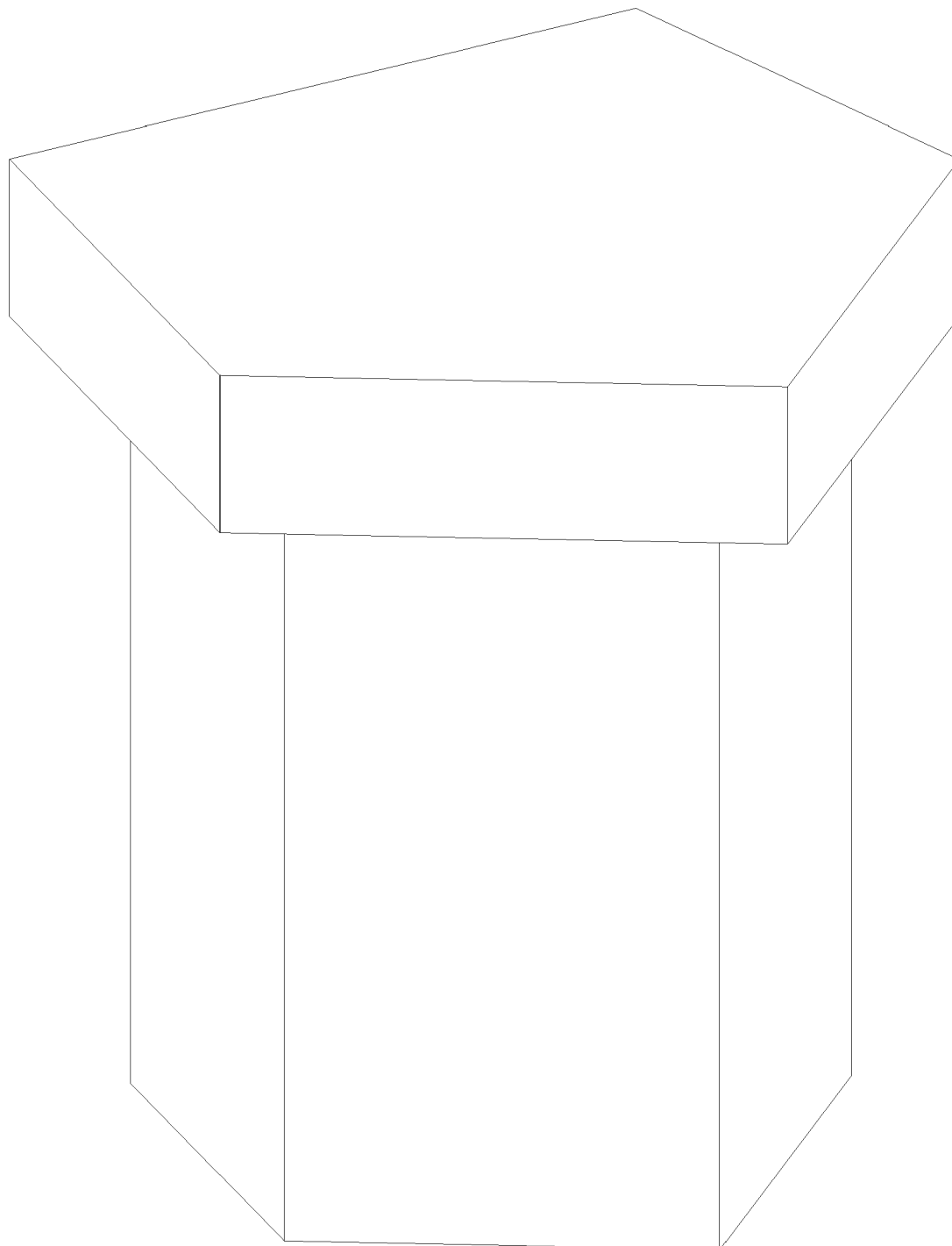


Assembly Instruction
Product Description: End Table

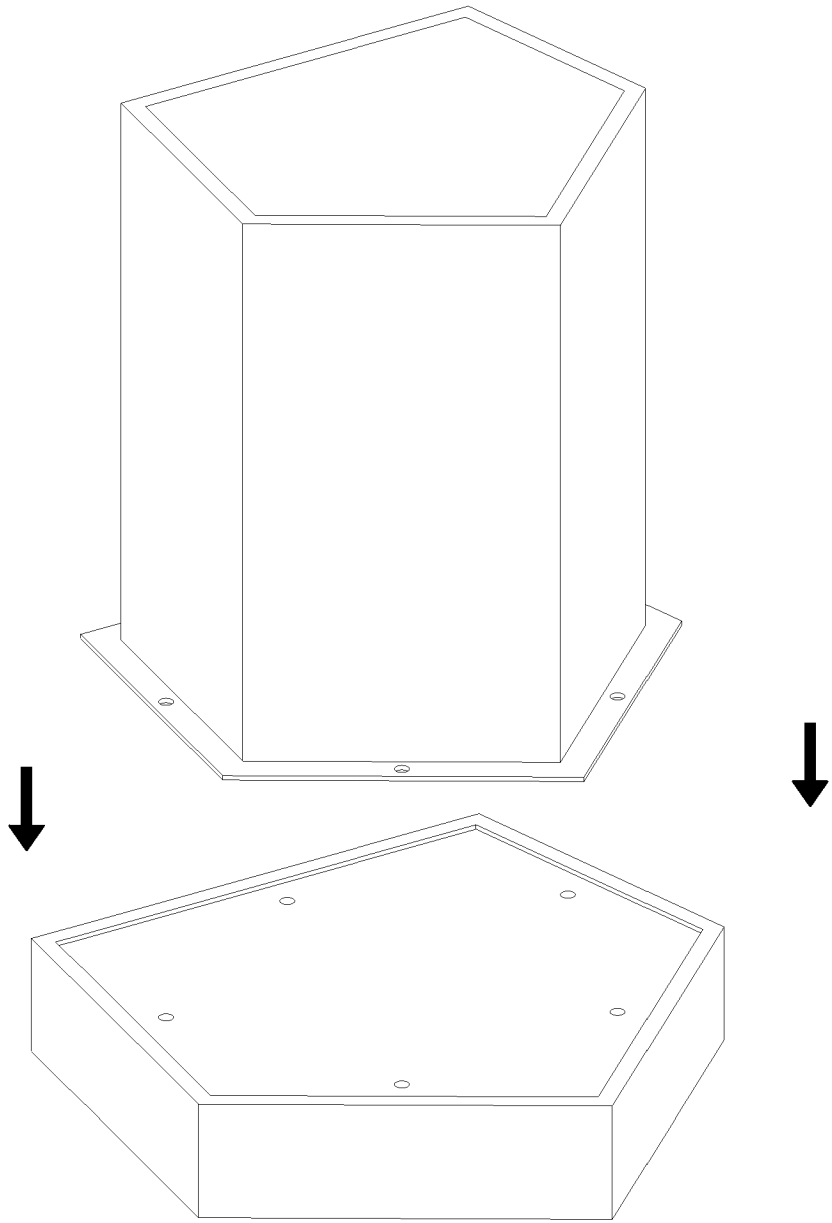
Hardware/Component List :

No.	Hardware/Component List	Quantity
1	 Marble Top	1
2	 Marble Base	1
3	 Allen Bolts	5
4	 Allen Key	1

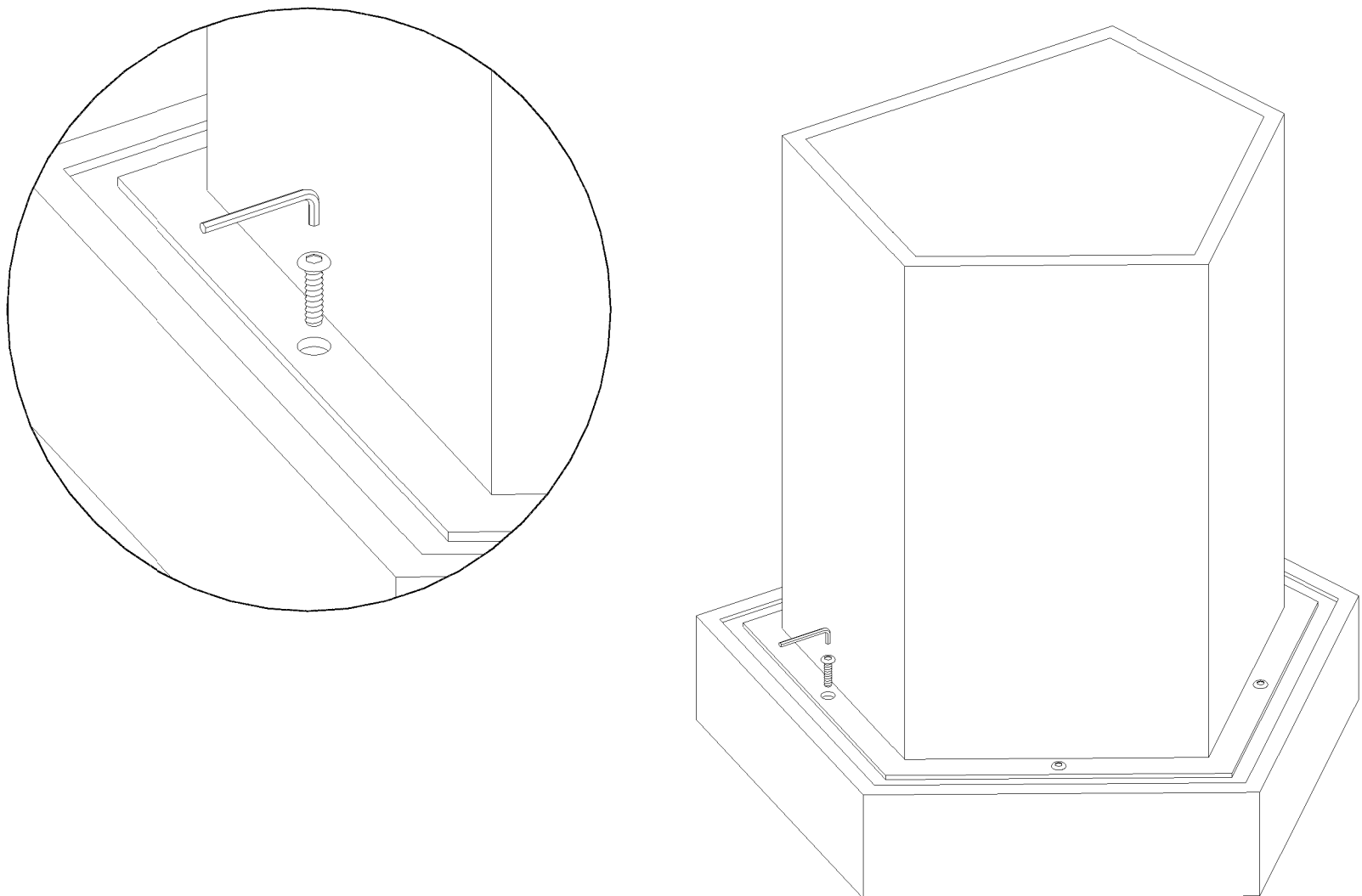


Assembly Instruction
Product Description: End Table

1



2



CAUTION : Please do not over tighten bolts / screw.