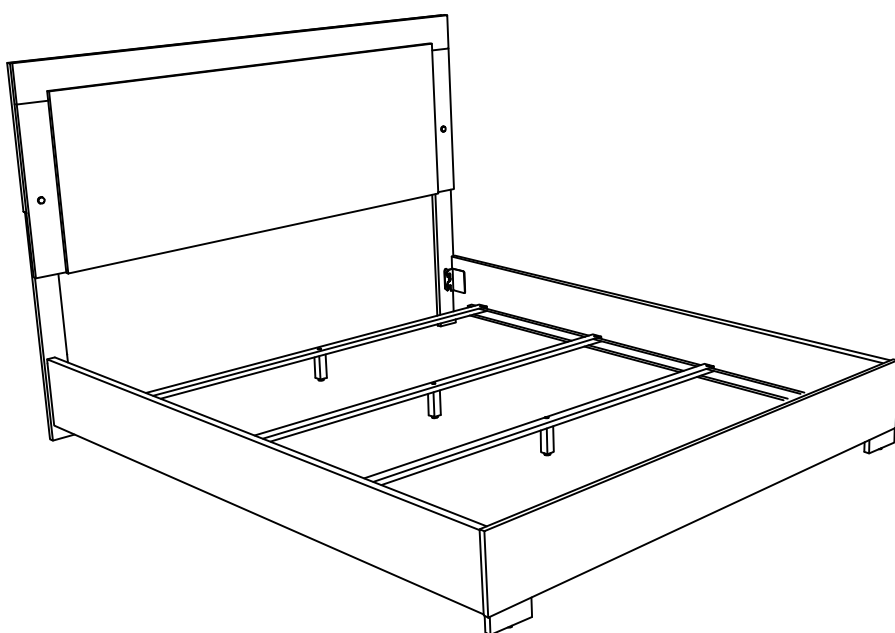
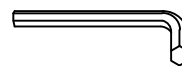


ASSEMBLY INSTRUCTIONS



TOOLS REQUIRED



Allen Wrench

(Included)



Phillips
Screwdriver

(Not Included)



2 - Persons
Recommended

ASSEMBLY RATING



EASY ————— DIFFICULT

The Assembly Rating is a 5-point system showing the level of effort needed to assemble a specific product.



CHECK BEFORE STARTING

Are you missing anything?

Double-check all parts, hardware and accessories listed on Page 6 are accounted for.

Check out our Quick Tips!

We recommend reviewing the pre-assembly handouts. Even experts need a refresher now and then!

Should we send any replacements?

Are there any irregularities or flaws in the parts? We can send replacements!

Prep Time!

Please review the assembly instructions and all diagrams prior to assembling. Set up your workspace by laying the parts and hardware out separately, then begin!

PRE ASSEMBLY INTRODUCTION

We understand building ready-to-assemble furniture can be a challenging experience for some. To help avoid confusion, we have provided some helpful tips that may speed up the process.



Teamwork

ALWAYS have at least two people to help with transporting and assembling the product to avoid potential injury and/or damage.



Suitable Location

Assembling near the area of the intended location is highly recommended.



Sufficient Space

Make sure you have enough space to move around during the assembly.



Avoid Scratches

Use cardboard, blankets or a carpeted area while assembling furniture to prevent scratches.



Flat Surface

Make sure the furniture rests on a flat and level surface with each leg evenly touching the floor.

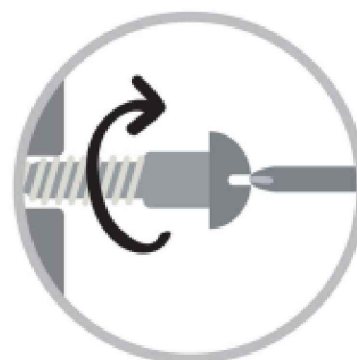
ASSEMBLY AND CARE ADVICE



FAILURE TO FOLLOW THE GUIDELINES BELOW MAY RESULT IN INJURY AND/OR PROPERTY DAMAGE.



Position each part correctly and insert screws or bolts into their respective holes.



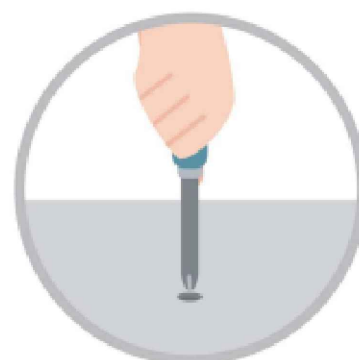
Turn clockwise to tighten and only tighten when step is completed or when instructed to do so.



Use the appropriate hand tools or power tools for assembly. Select steps, such as tightening screws and/or bolts, may require hand tools to avoid causing damage during assembly.



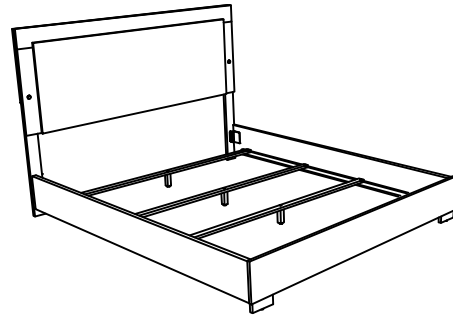
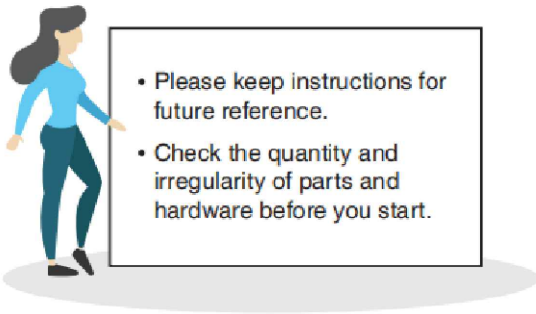
Save the instructions and store any supplied tools for later maintenance.



After two weeks, check and tighten any loose hardware and repeat again every six months thereafter.


IT IS THE USER'S RESPONSIBILITY TO MAINTAIN THE FURNITURE. THE HARDWARE MAY LOOSEN OVER TIME AND MAY CAUSE THE FURNITURE TO BE WOBBLY AND UNABLE TO SUPPORT ITS INTENDED WEIGHT CAPACITY. THIS MAY LEAD TO COLLAPSE AND MAY CAUSE SERIOUS INJURY.

QUEEN SIZE BED




PARTS


- ① 1pc



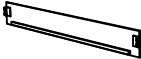
Headboard
- ② 1pc




Footboard
- ③ 2pcs




Headboard Leg
(L/R)
- ④ 2pcs



Side Rail
- ⑤ 4pcs



Bed Slat
1545 x 45 x 18mm
- ⑥ 4pcs

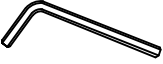


Bed Slat Support
96 x 30 x 30mm

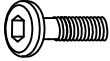
HARDWARE

HARDWARE INSIDE HEADBOARD


- Ⓐ 1pc




Allen Key M4
- Ⓑ 6pcs



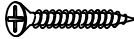
Bolt 1/4" x 1 3/16"
- Ⓒ 6pcs



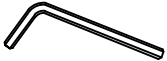
Lock washer
- Ⓓ 6pcs



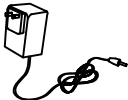
Flat washer
- Ⓔ 16pcs



CSK m4 x 28mm
- Ⓕ 1pc


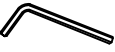
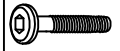



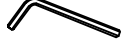
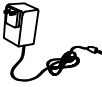

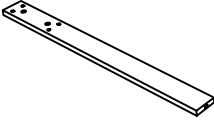





Allen Key M5
- Ⓖ 1pc



12V+12W+1A Adaptor

is packed in 2 cartons

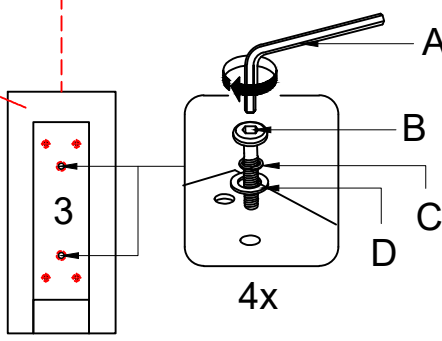
Carton	Designation			Hardware
	Queen Size Bed HB, FB & HB Legs	1	 X 1	 A x 1pc  B x 6pcs  C x 6pcs  D x 6pcs  E x 16pcs  F x 1pc  G x 1pc
		2	 X 1	
		3	 X 2	
		5	 X 4	
		6	 X 4	
	Queen Size Bed Rails	4	 X 2	

ASSEMBLY INSTRUCTIONS

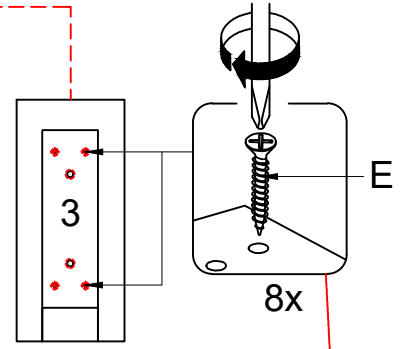
Align the Headboard Leg (#3) to the Headboard (#1) and secure at the center by using JCBC Bolt assembly of Bolt (#B) with Spring washer (#C) and Flat washer (#D). Tighten with Allen Key (#A).

1

- Part ① x1pc
- Part ③ x2pcs
- Hardware ② x6pcs
- Hardware ③ x6pcs
- Hardware ④ x6pcs
- Hardware ⑤ x8pcs

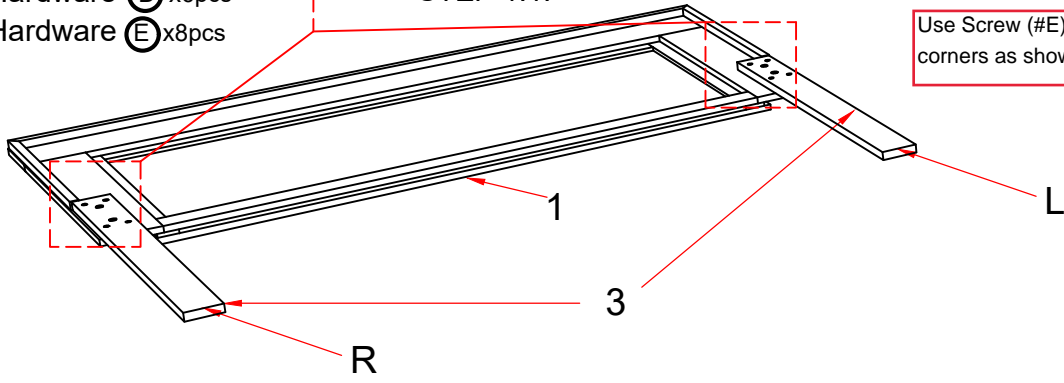


STEP 1.1:



STEP 1.2:

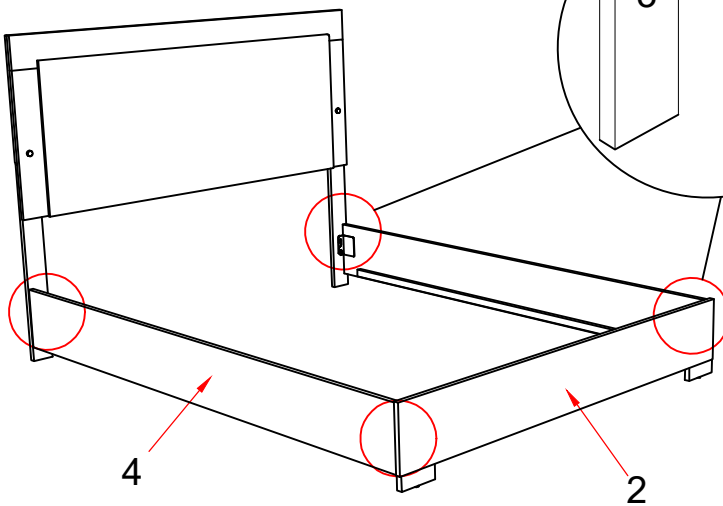
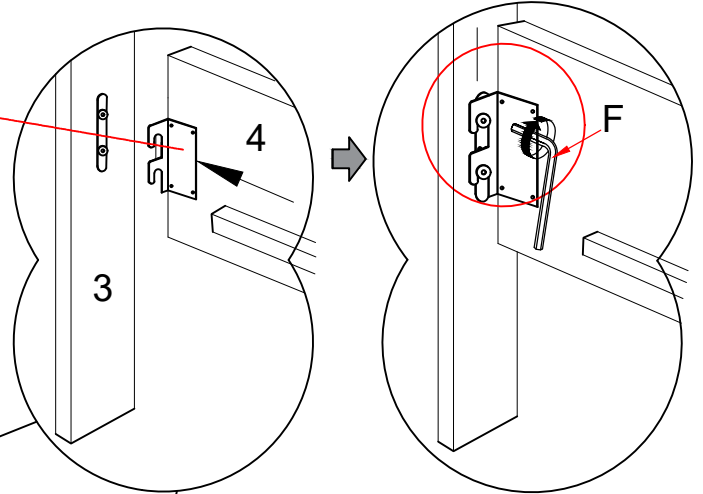
Use Screw (#E) to secure at the corners as shown in the diagram.



2

- Part ② x1pc
- Part ④ x2pcs

Align side rails (#4) to the bolts of the headboard leg (#3) and footboard (#2).



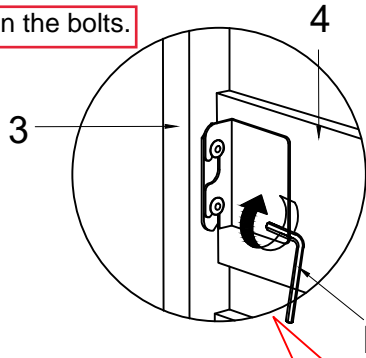
ASSEMBLY INSTRUCTIONS

STEP 3.1

Fully tighten the bolts.

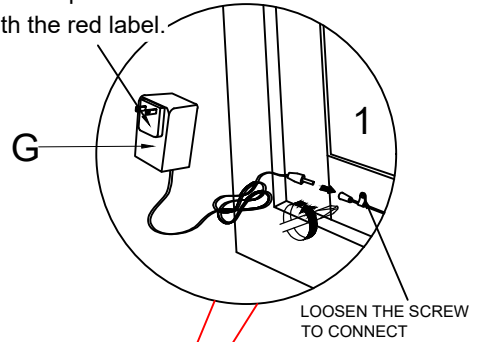
3

- Part ⑤ x4pcs
- Part ⑥ x4pcs
- Hardware ④ x8pcs
- Hardware ③ x1pc

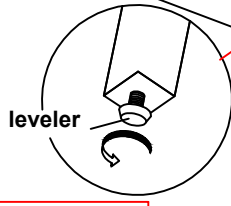
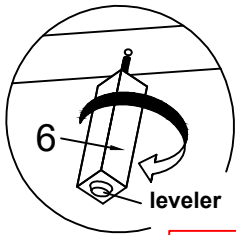
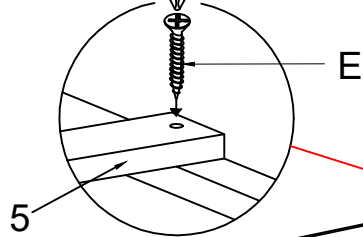


Note:
Remove the adaptor from
the box with the red label.

STEP 3.3



STEP 3.2

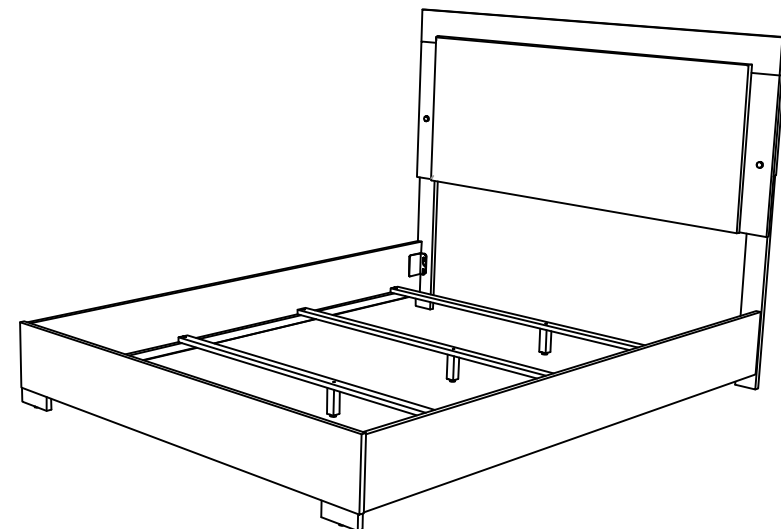


Adjustable Glider

3.2

Attach the Bed slat support (#6) to the Bed slat (#5). Align the Bed slat (#5) to the side rails and secure by using CSK screw (#E).

ON & OFF TOUCH SWITCH BUTTON



ASSEMBLY COMPLETED



Please ensure the furniture rests on an even and flat surface. If the product wobbles or feels loose, double-check all bolts and/or screws are properly tightened and secured.



Keep this handy!

Please retain this instruction manual and any order-related information for future reference.



Lift, don't drag!

To avoid damage to product please always LIFT the product when transporting or adjusting the placement.

This product is intended for RESIDENTIAL USE ONLY and not commercial use.