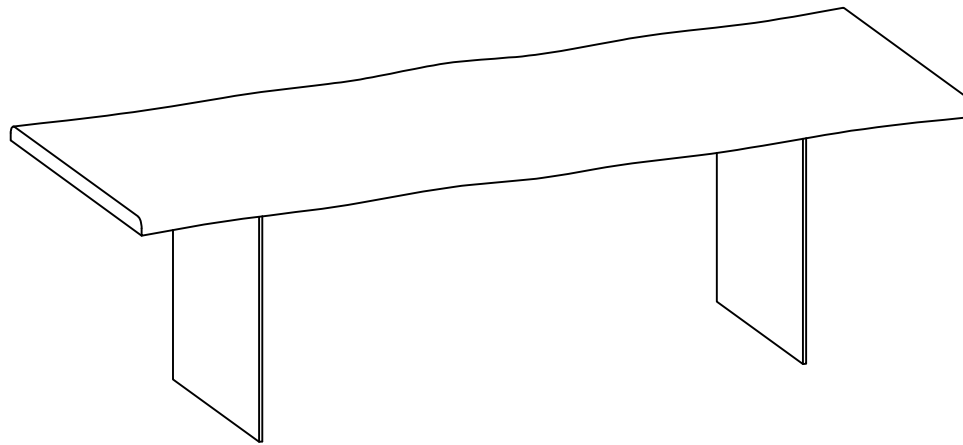


# ASSEMBLY INSTRUCTIONS



DINING TABLE






THANK YOU FOR YOUR PURCHASE!

# PARTS AND HARDWARE.

## PARTS LIST

NO.	DESCRIPTION	IMAGE	Q'TY
P1	TABLE TOP		1
P2	METAL BASE		2

## HARDWARES LIST

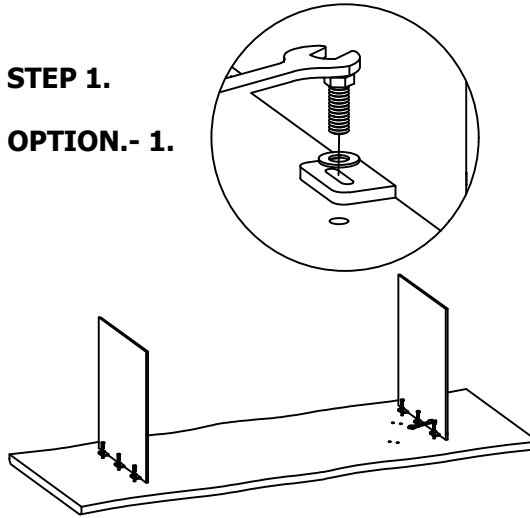
NO.	DESCRIPTION	IMAGE	QTY
H1	HEX BOLT		12
H2	SPANNER		1
H3	WASHER		12

## NOTES.

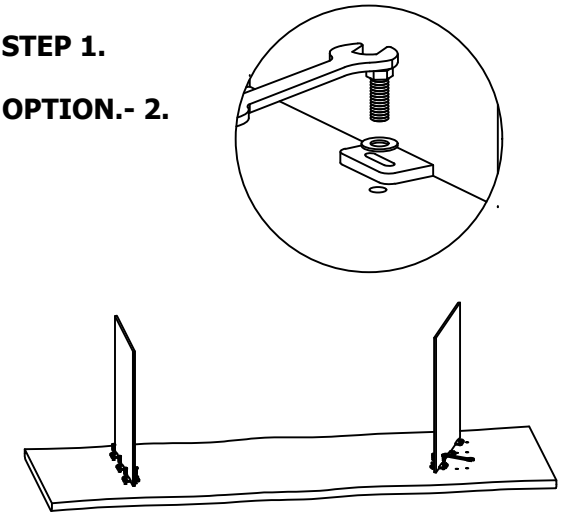
Thank you for purchasing this quality product! Be sure to check all packing material carefully for small part that may have come loose inside the carton during shipping.

**CAUTION:** The item is heavy, assembly should be performed by two people.

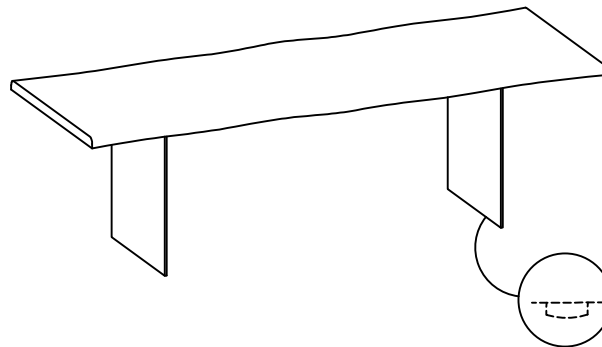
**STEP 1.**  
**OPTION.- 1.**



**STEP 1.**  
**OPTION.- 2.**



**STEP 2.**  
**OPTION.- 1.**



**STEP 2.**  
**OPTION.- 2.**

