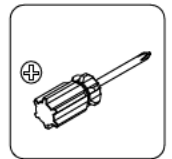
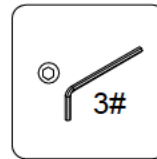
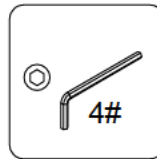
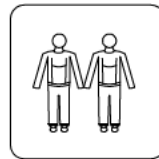
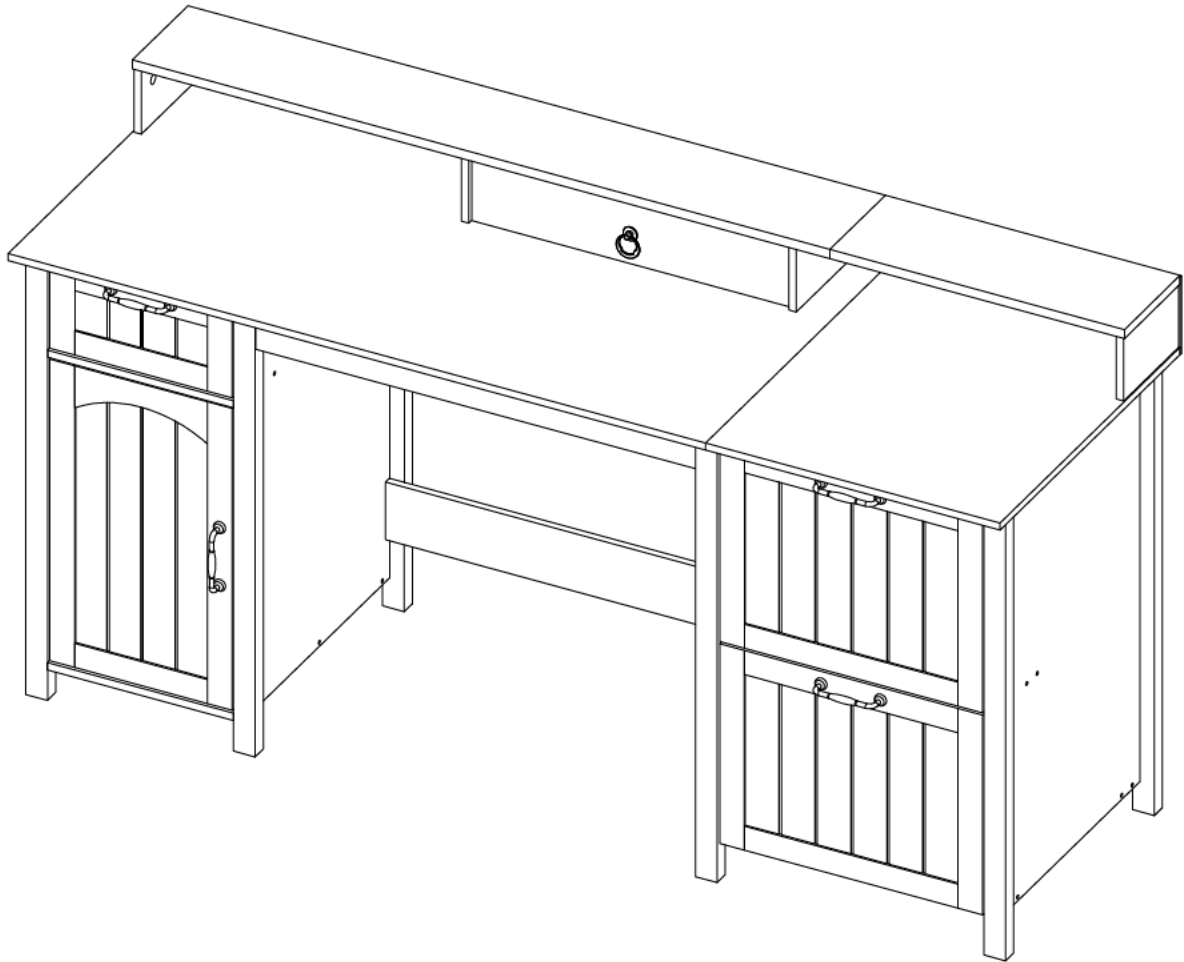


Computer Desk



Warning: Please read this instruction manual carefully before using the product.

Version :1.0

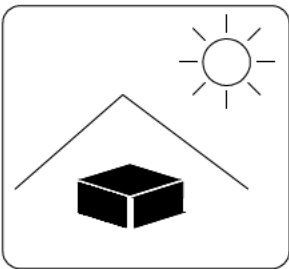
Package Contents

Plates and iron components

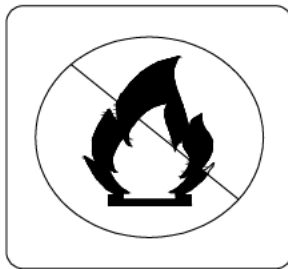
Assembly tool kit

Instruction manual

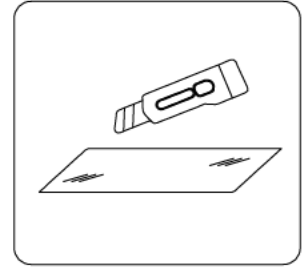
Package Contents



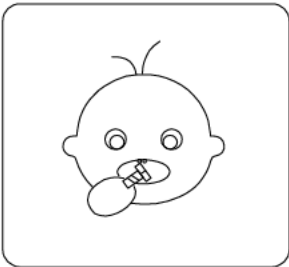
1. Avoid long-term direct sunlight exposure



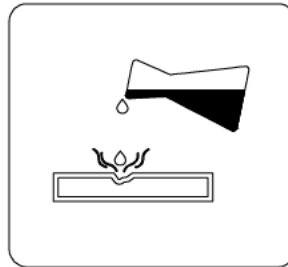
2. Stay away from fire



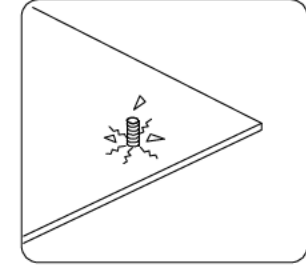
3. keep away from sharp objects



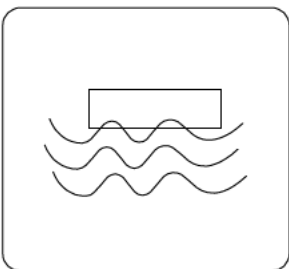
4. Keep infants/children away from assembly parts to avoid choking and suffocation.



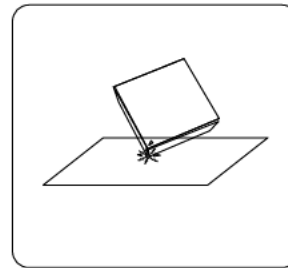
5. keep away from corrosive substances



6. Pay attention to avoid over-tightening fasteners, or they may induce cracking within the board.



7. Prevent objects from being damaged by immersion in water



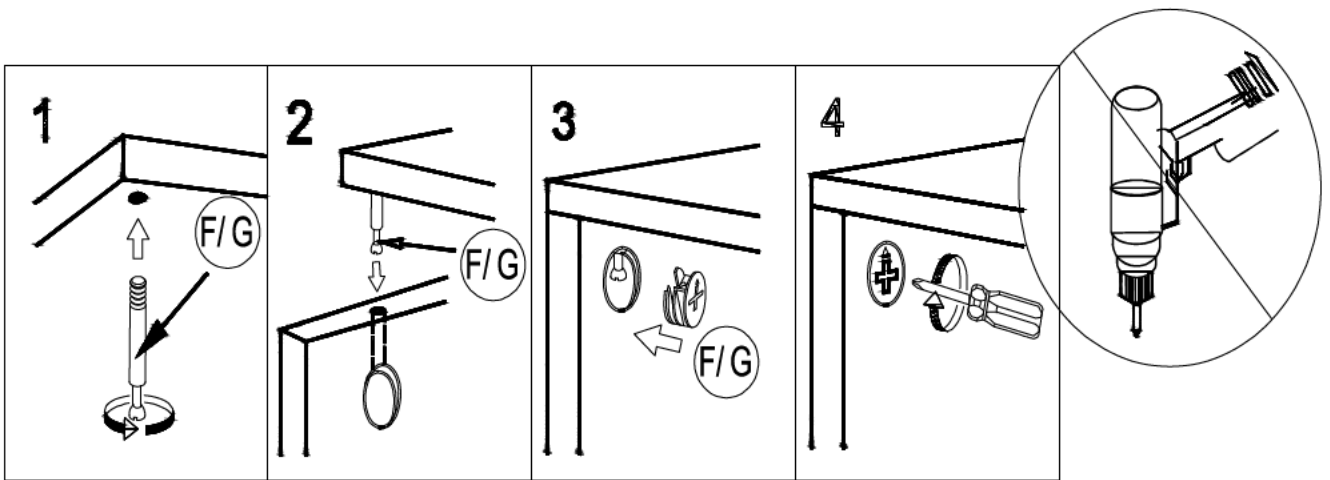
8. Prevent object collision and damage



9. Be careful to avoid collisions

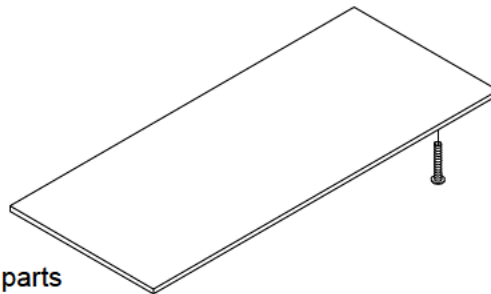
Installation of Cams and Pins

Screw the pin into the hole. To set the cams correctly, ensure that the arrow on the cam is opening o the hole of the pin it is locking. Lock the cam by tturning the cam head with a screwdriver until it is tightened. Please do not use an electric screwdriver to assemble the unit.

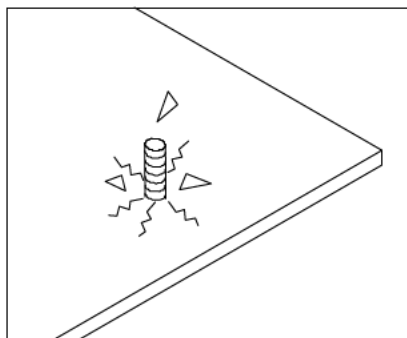


Installation of Cams and Pins

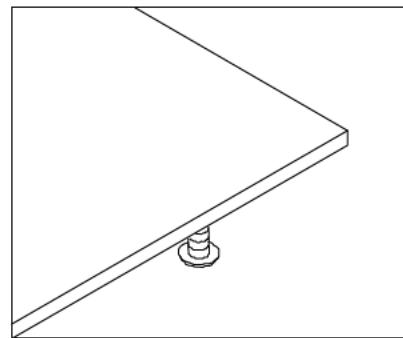
1. Matters needing attention



Be sure to use the proper screws to avoid damaging the parts



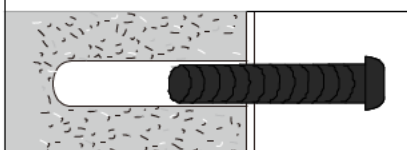
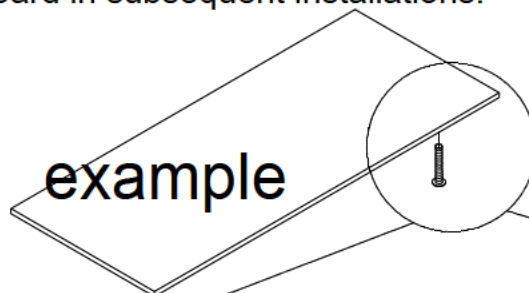
Wrong screws can cause the plank to crack



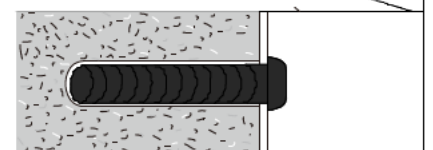
The right screw is the right size

Matters needing attention

- (1) When installing the screws in the installation step, the screws do not need to be tightened. After this installation step is confirmed and the holes are aligned, then tighten all the screws.
- (2) If the screws are tightened during the installation process, it will cause problems such as misalignment of the screw holes and misalignment of the board in subsequent installations.

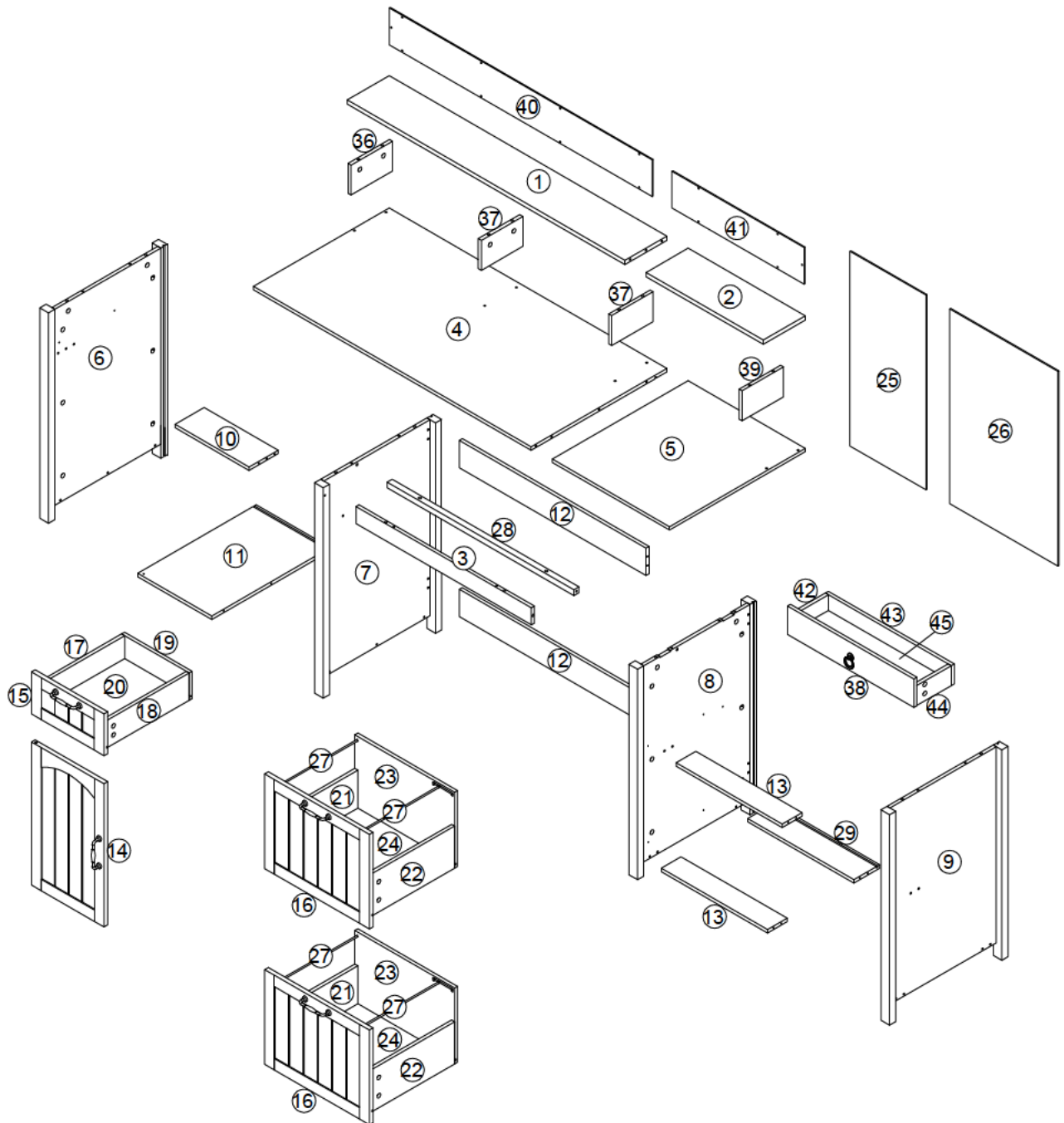


Do not tighten the screws

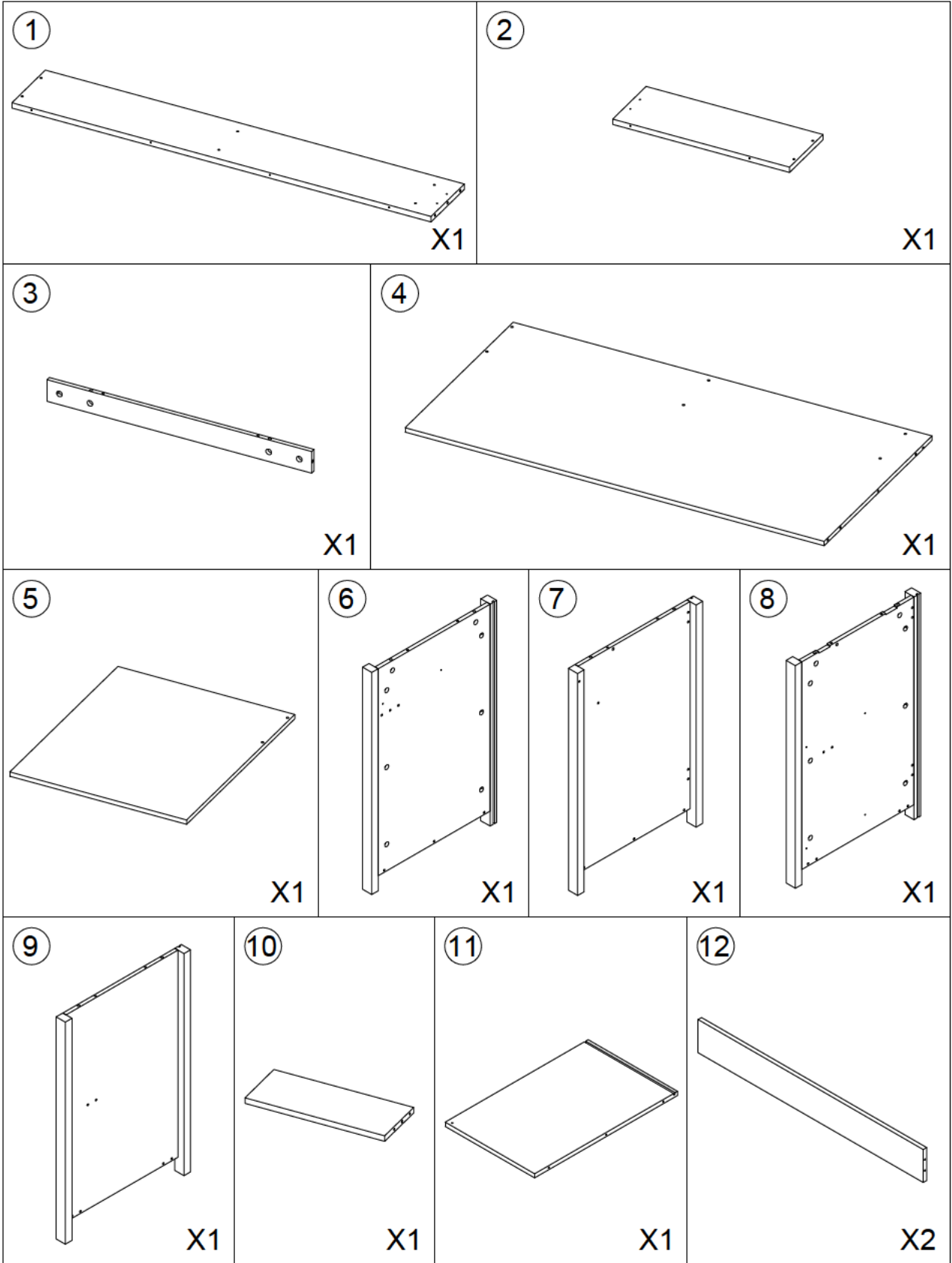


Screw down

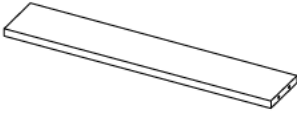
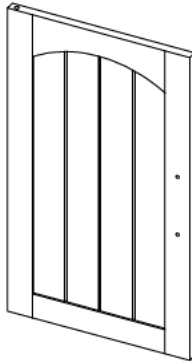
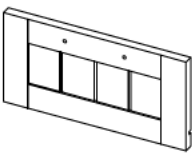
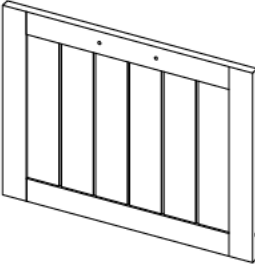
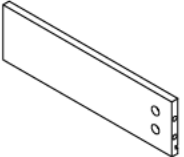
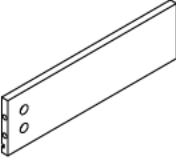

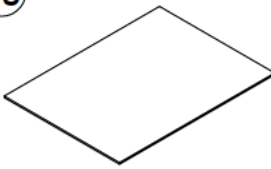
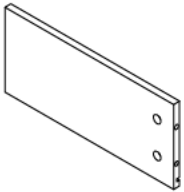
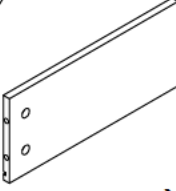
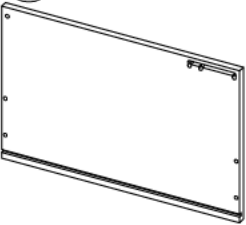
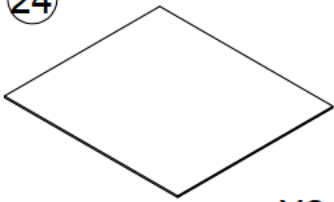


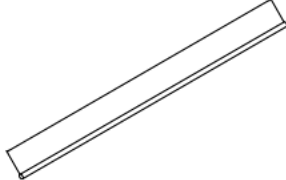
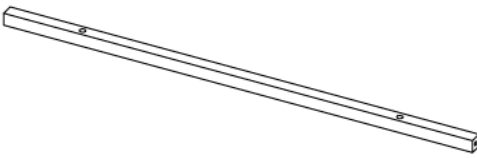
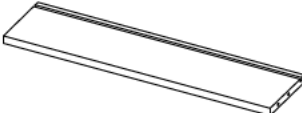
Disassembly Diagram



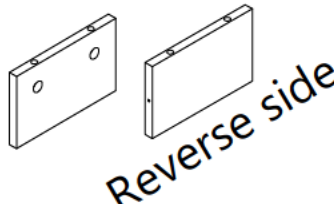
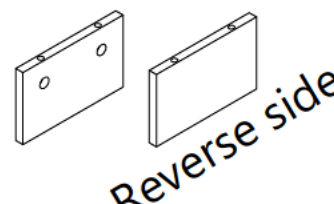
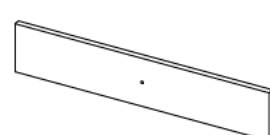
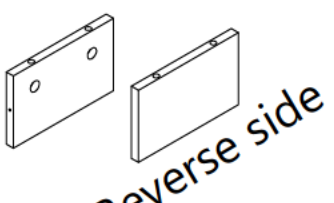
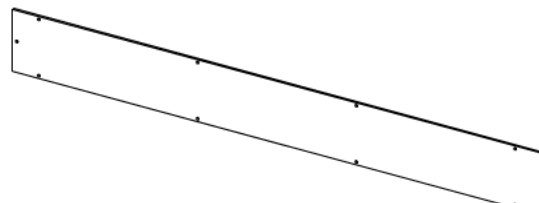
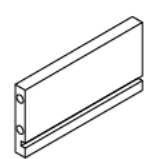
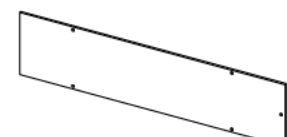
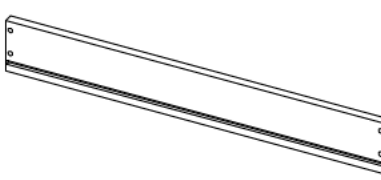
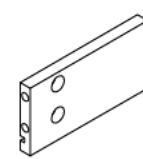
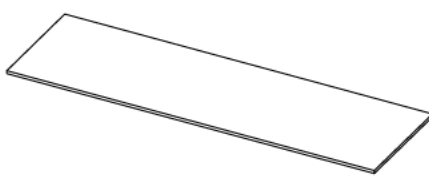
Parts List











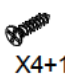







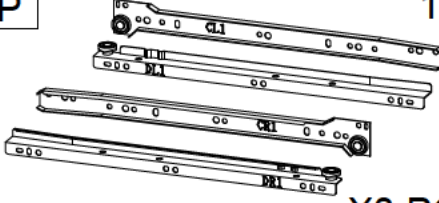



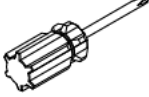

Parts List

 <p>13</p> <p>X2</p>	 <p>14</p> <p>X1</p>	 <p>15</p> <p>X1</p>	 <p>16</p> <p>X2</p>
 <p>17</p> <p>X1</p>	 <p>18</p> <p>X1</p>	 <p>19</p> <p>X1</p>	 <p>20</p> <p>X1</p>
 <p>21</p> <p>X2</p>	 <p>22</p> <p>X2</p>	 <p>23</p> <p>X2</p>	 <p>24</p> <p>X2</p>
 <p>25</p> <p>X1</p>	 <p>26</p> <p>X1</p>	 <p>27</p> <p>X4</p>	
 <p>28</p> <p>X1</p>	 <p>29</p> <p>X1</p>		

Parts List

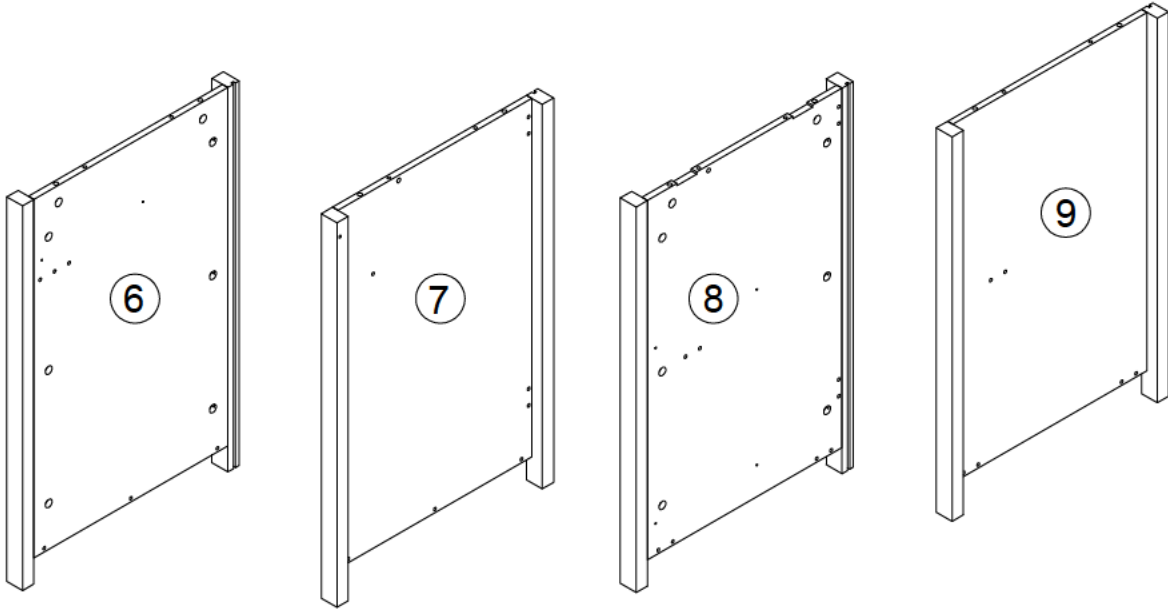
<p>36</p>  <p>Reverse side</p> <p>X1</p>	<p>37</p>  <p>Reverse side</p> <p>X2</p>	<p>38</p>  <p>X1</p>
<p>39</p>  <p>Reverse side</p> <p>X1</p>	<p>40</p>  <p>X1</p>	
<p>42</p>  <p>X1</p>	<p>41</p>  <p>X1</p>	
<p>43</p>  <p>X1</p>	<p>44</p>  <p>X1</p>	
<p>45</p>  <p>X1</p>		

Tool sheet

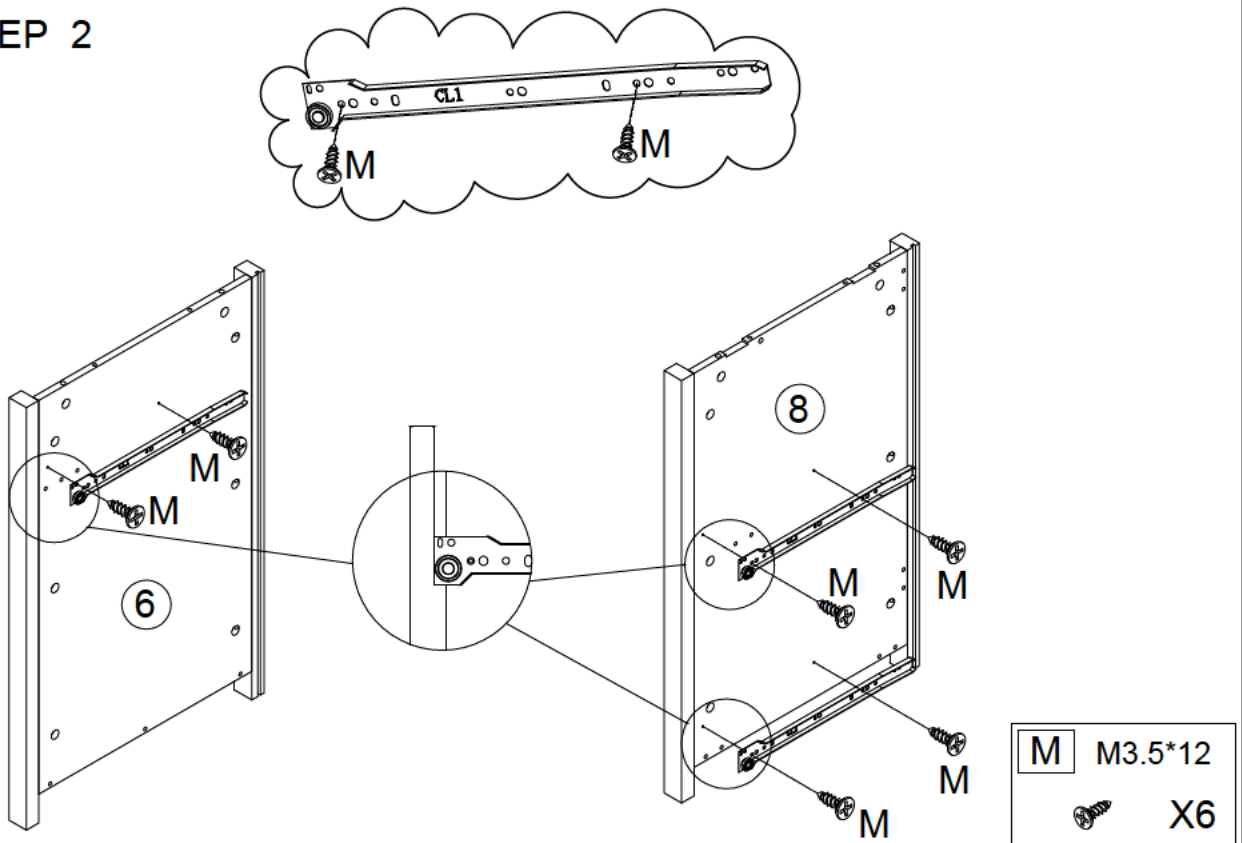
<p>A M4*14mm</p>  <p>X1</p>  <p>X1</p> <p>X1</p>	<p>B M6*30mm</p>  <p>X2</p>	<p>C M6*25mm</p>  <p>X2</p>	<p>D M5*40mm</p>  <p>X54+2</p>
<p>E M4*18mm</p>  <p>X2</p>  <p>X1</p> <p>X4</p>	<p>F Ø6*35mm</p>  <p>X19+2</p>	<p>G M3*12mm</p>  <p>X4+1</p>  <p>X1</p> <p>X1</p>	<p>H</p>  <p>X2</p>
<p>I Ø12</p>  <p>X6</p>	<p>J ST6*40mm</p>  <p>X36+2</p>	<p>K Ø15*9.5mm</p>  <p>X36+2</p>	<p>M M3.5*12mm</p>  <p>X36+2</p>
<p>N 40*60mm</p>  <p>X3</p>	<p>P 14"</p>  <p>X3 PCS</p>		<p>Q M3.5*14mm</p>  <p>X26+2</p>
<p>R</p>  <p>X12+1</p>	<p>Ø21 x 0.3mm</p>  <p>X70</p>	 <p>X1</p>	 <p>4# 3#</p> <p>X1</p>

ASSEMBLY INSTRUCTION

STEP 1

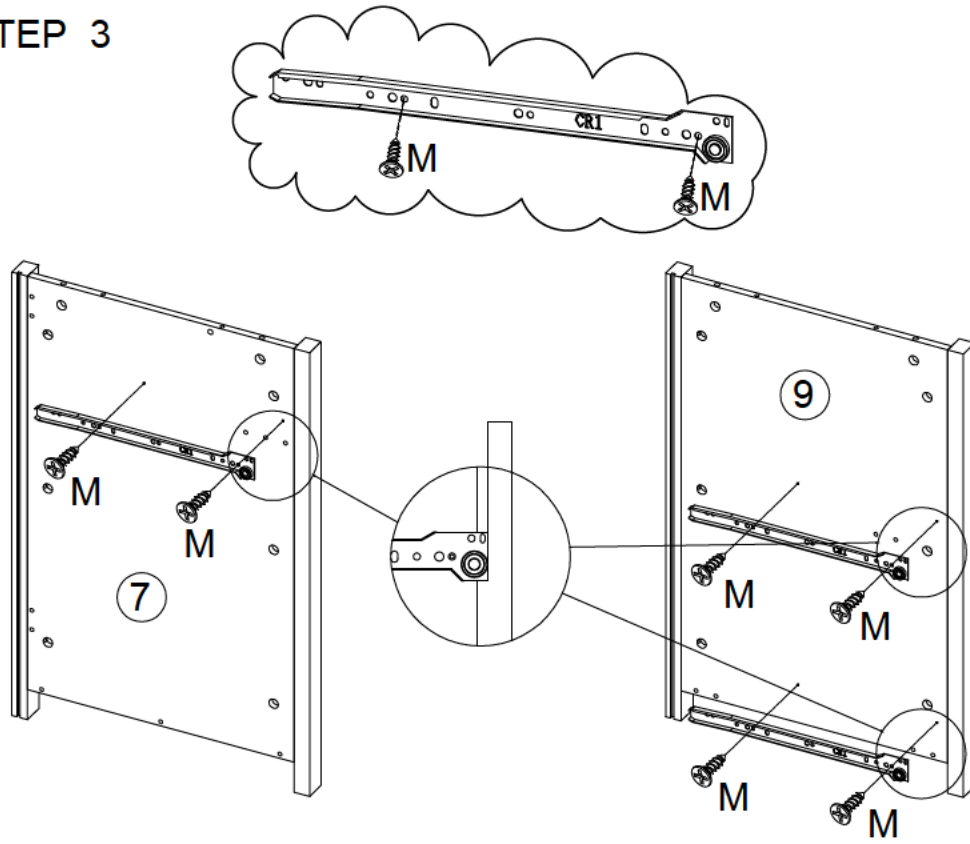


STEP 2



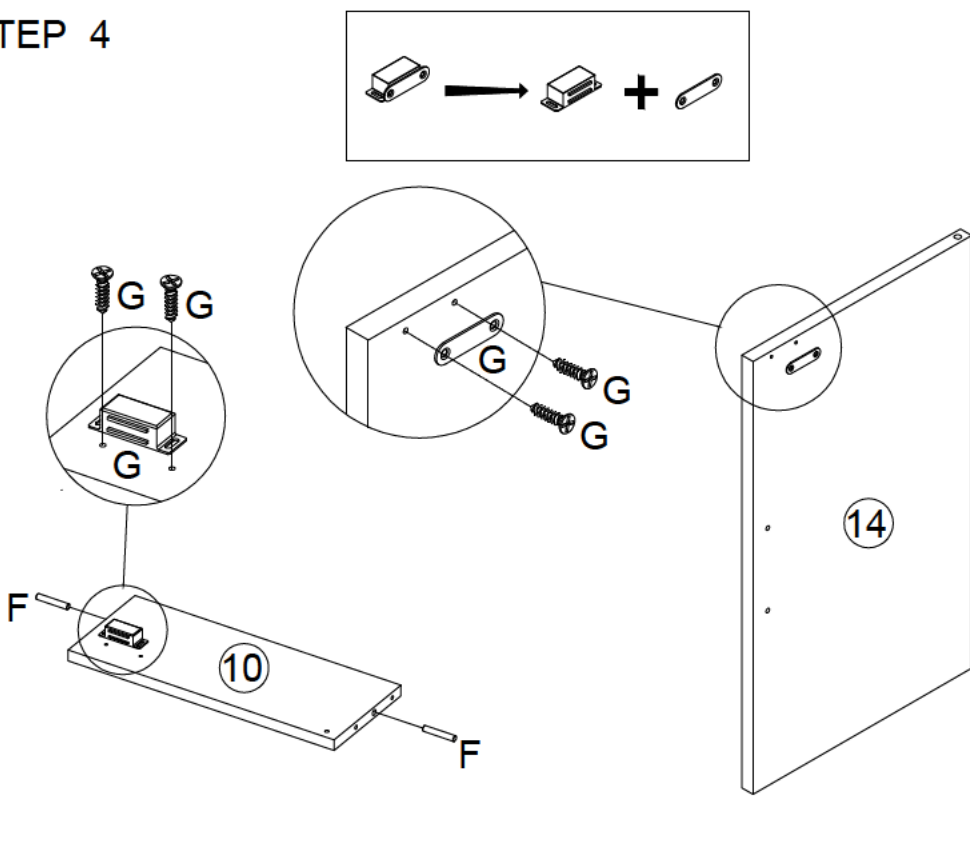
ASSEMBLY INSTRUCTION

STEP 3



M	M3.5*12
	X6

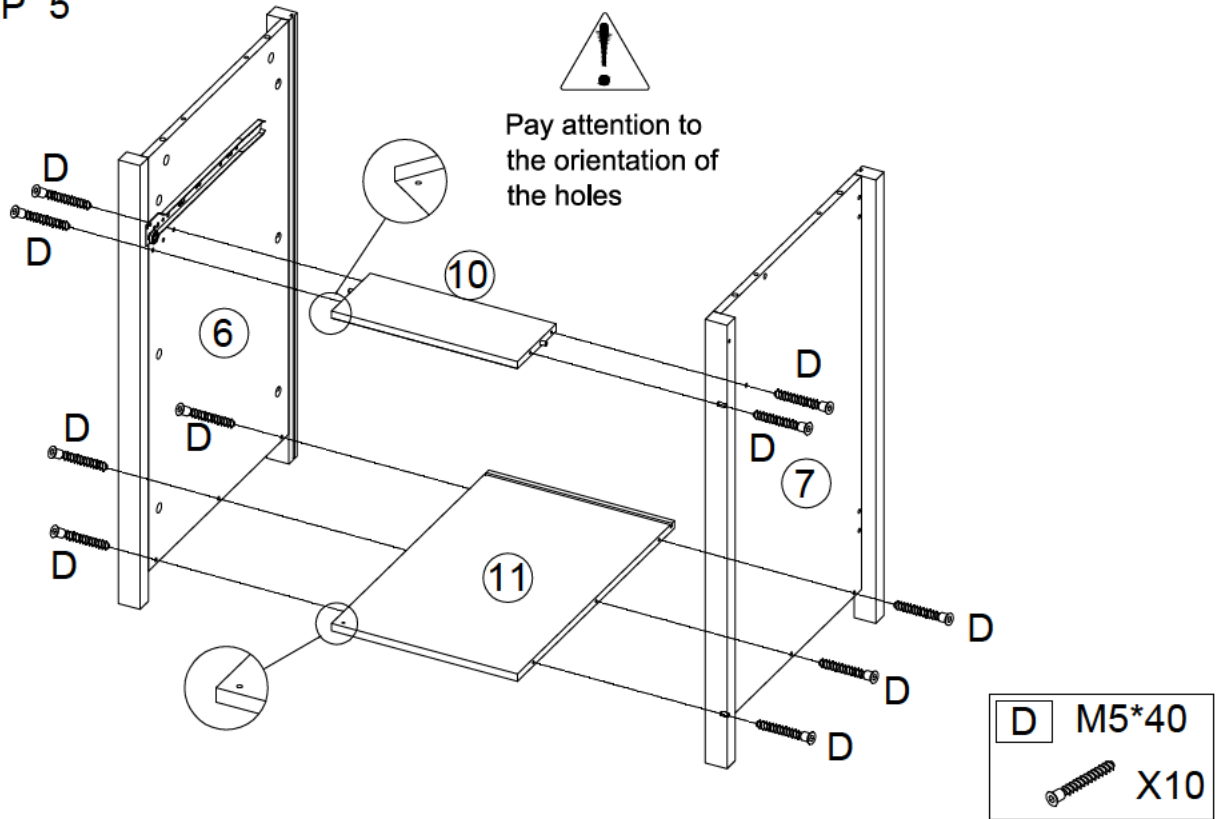
STEP 4



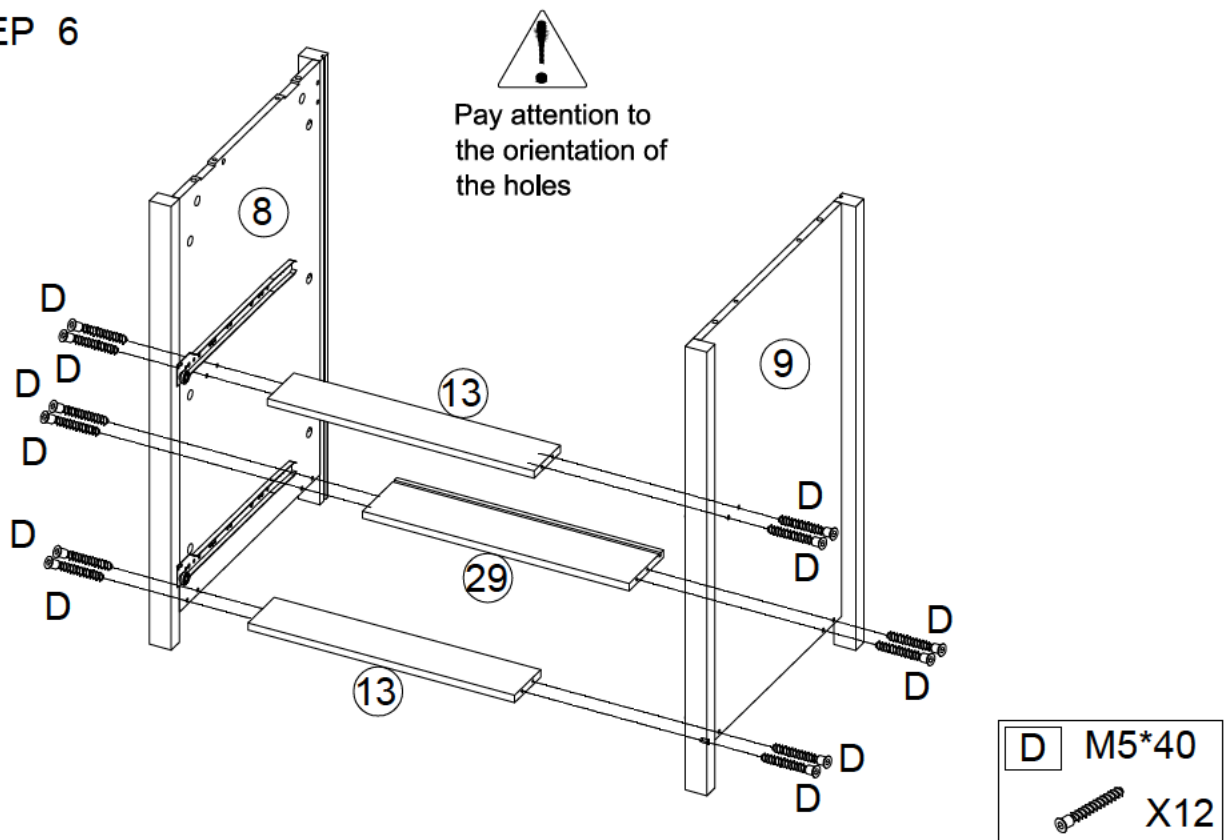
F	Ø6*35
	X2
G	
	X1
G	M3*12
	X4

ASSEMBLY INSTRUCTION

STEP 5

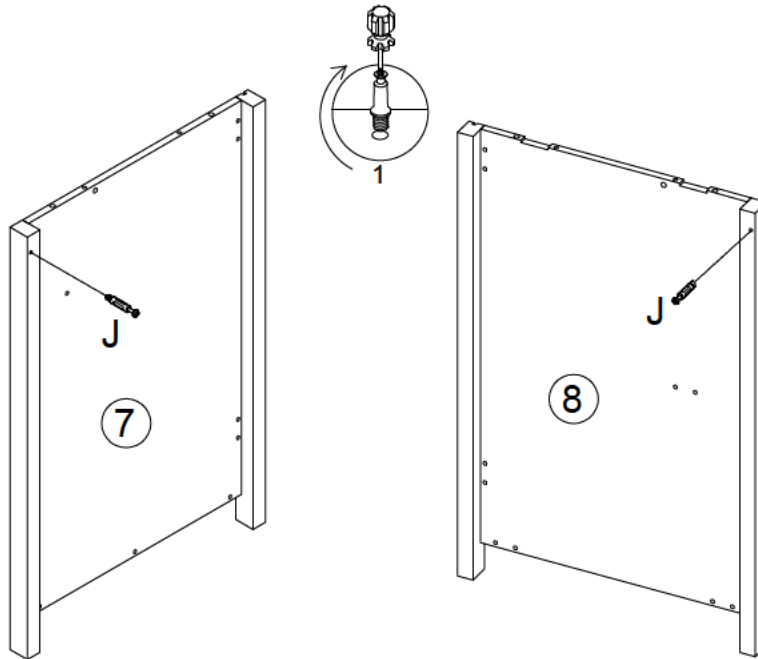



STEP 6



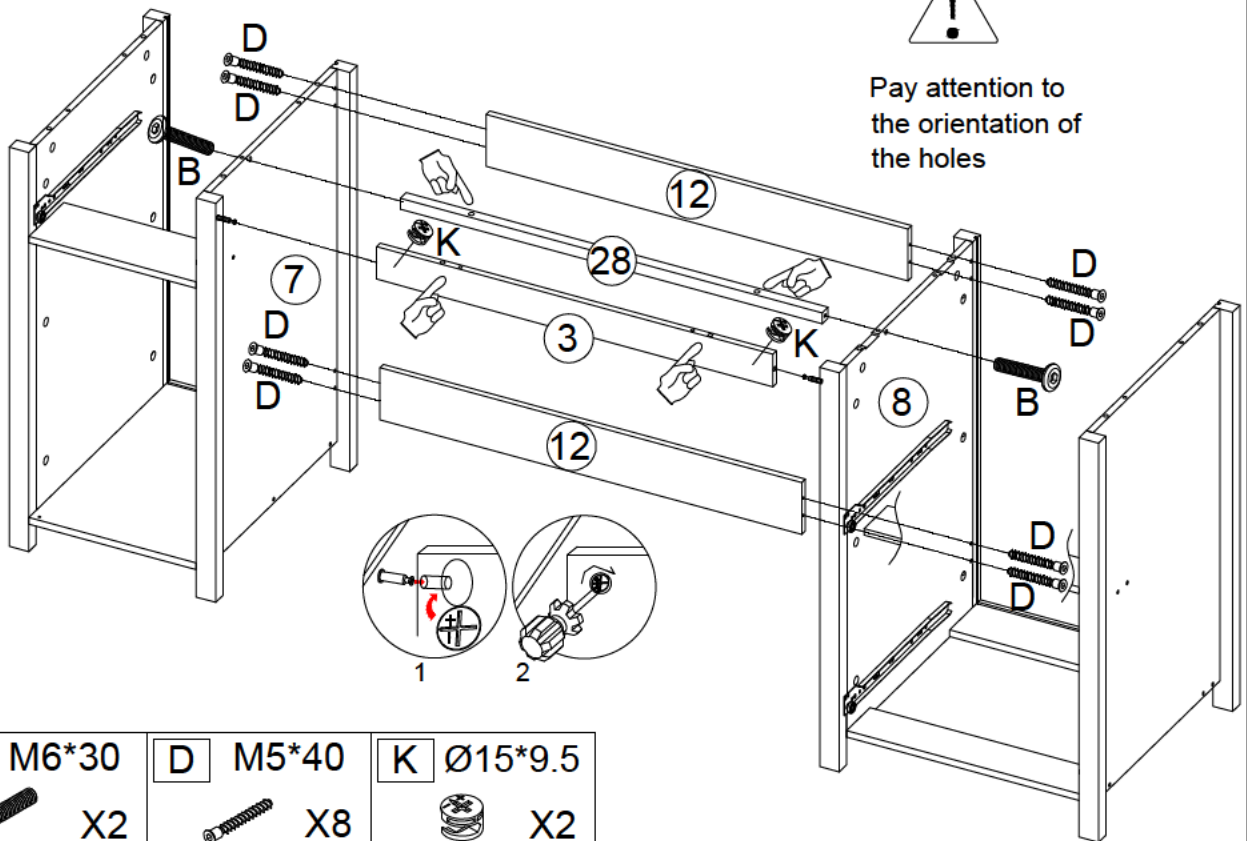
ASSEMBLY INSTRUCTION




STEP 7



J	ST6*40
	X2

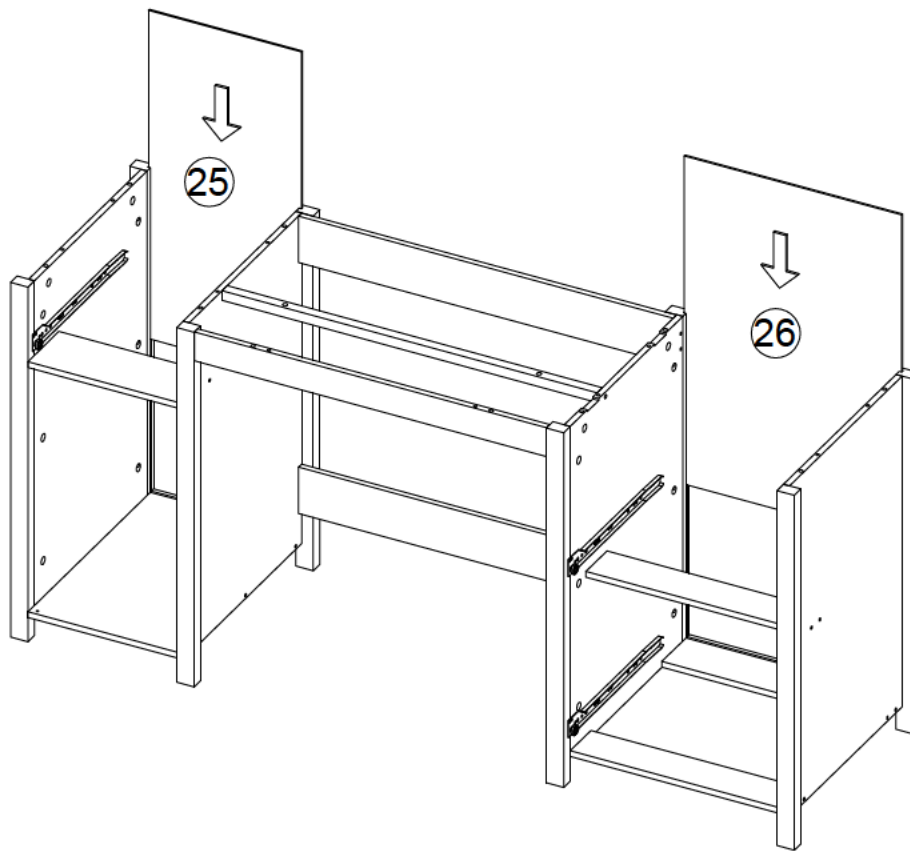
STEP 8



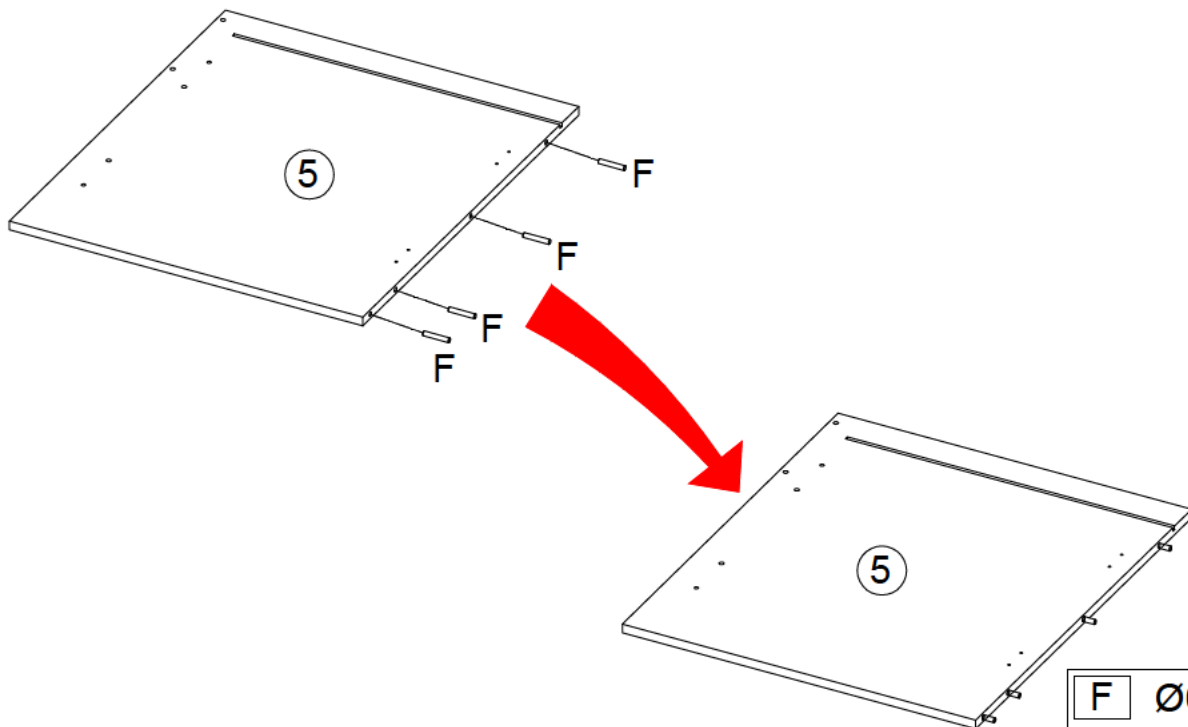
B	M6*30	D	M5*40	K	Ø15*9.5
	X2		X8		X2

ASSEMBLY INSTRUCTION

STEP 9



STEP 10



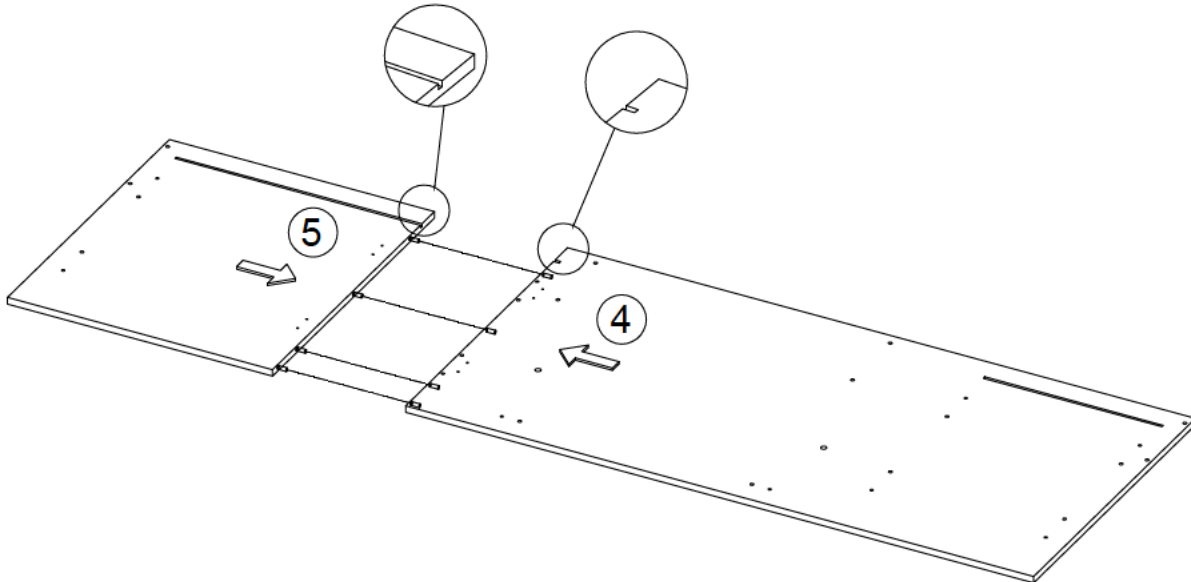
F Ø6*35
X4

ASSEMBLY INSTRUCTION

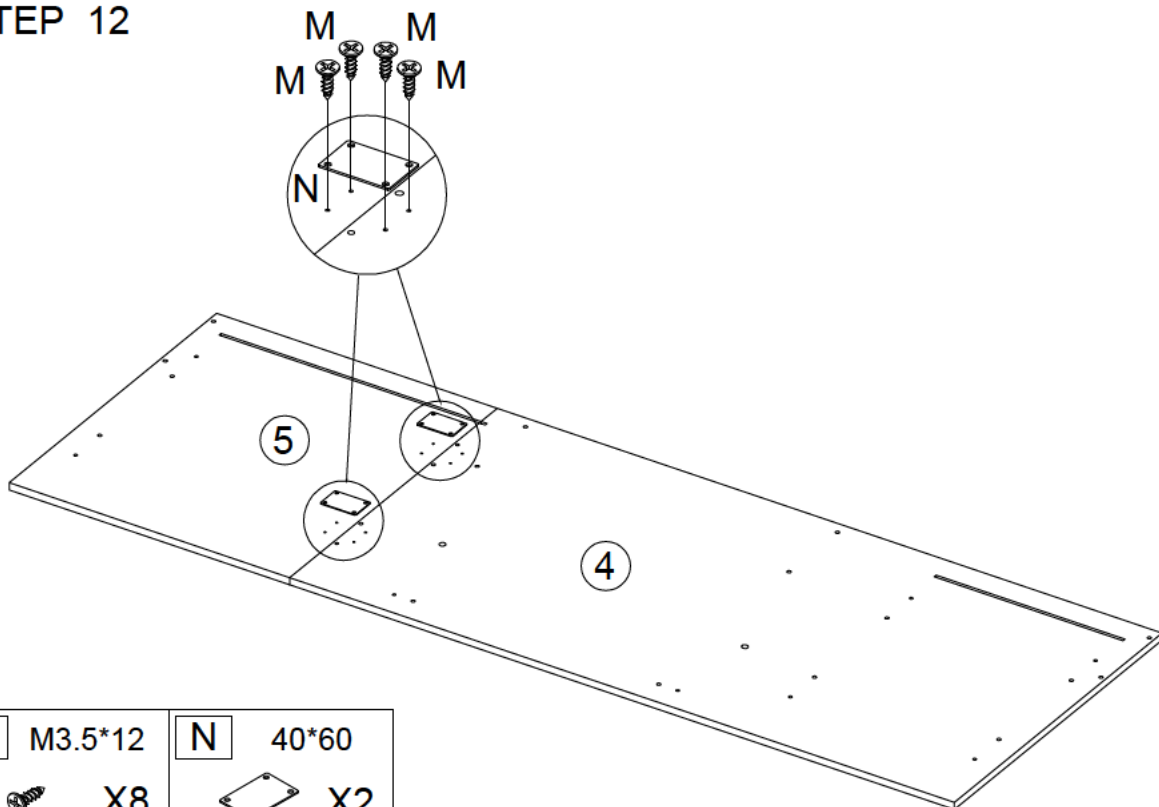
STEP 11





Note: When installing Panel 4 and Panel 5, please use two people to lift panel 4 and panel 5 to avoid disconnection.



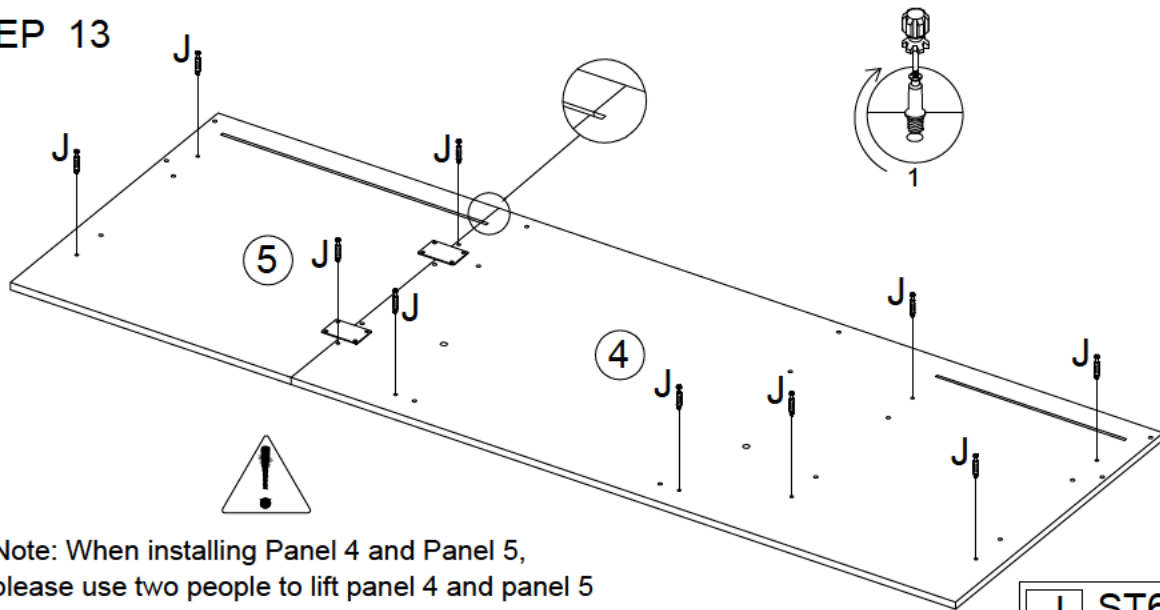
STEP 12



M	M3.5*12	N	40*60
	X8		X2

ASSEMBLY INSTRUCTION

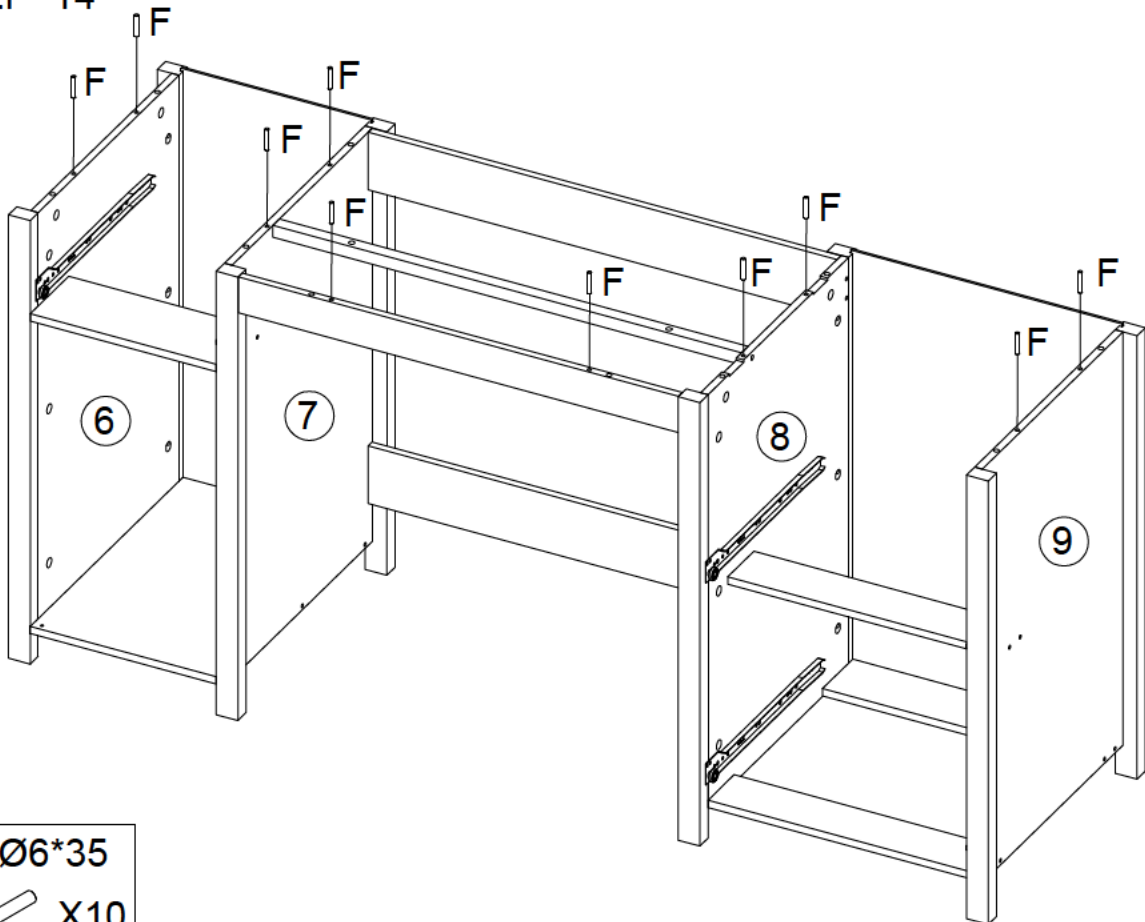
STEP 13



Note: When installing Panel 4 and Panel 5, please use two people to lift panel 4 and panel 5 to avoid disconnection.

J ST6*40
X10

STEP 14



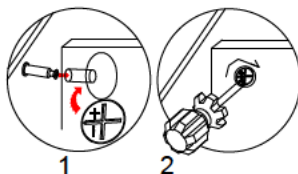
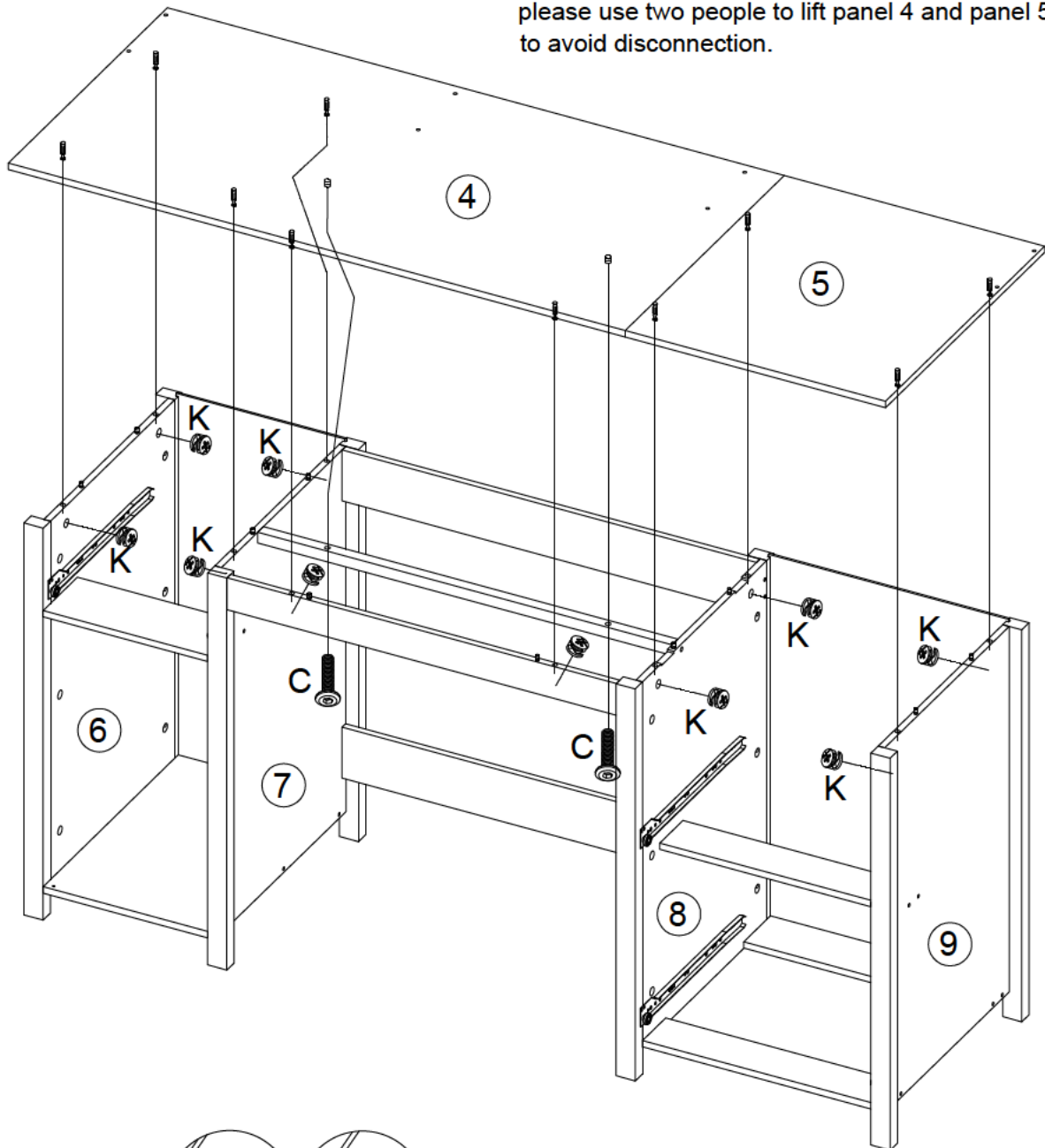
F Ø6*35
X10



ASSEMBLY INSTRUCTION

STEP 15



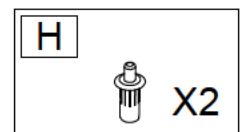
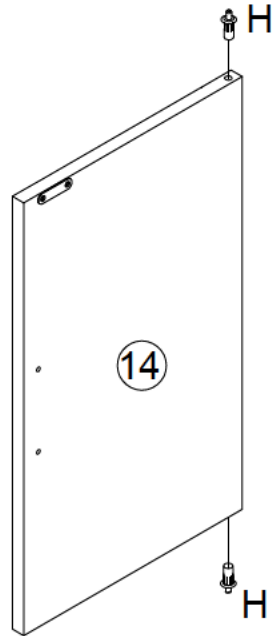
Note: When installing Panel 4 and Panel 5, please use two people to lift panel 4 and panel 5 to avoid disconnection.



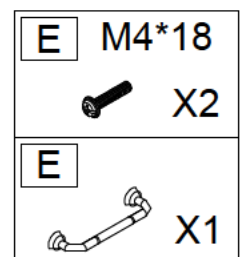
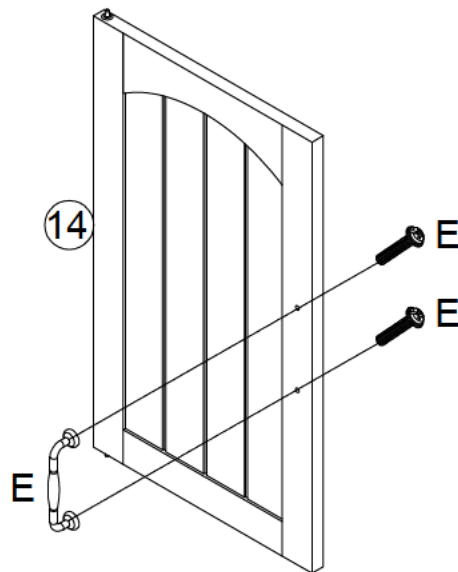
C	M6*25	K	Ø15*9.5
	X2		X10

ASSEMBLY INSTRUCTION

STEP 16

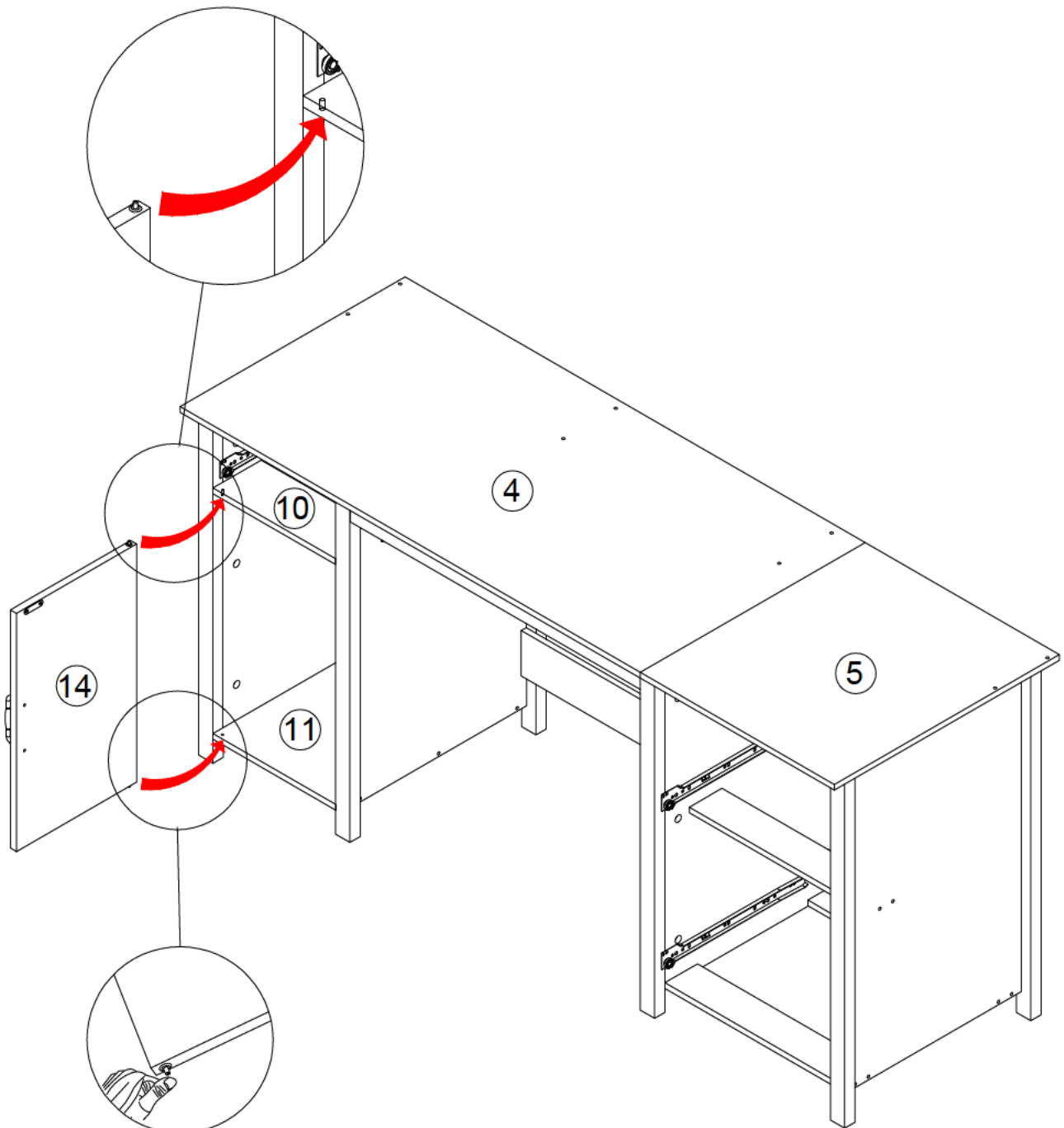


STEP 17



ASSEMBLY INSTRUCTION

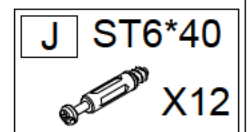
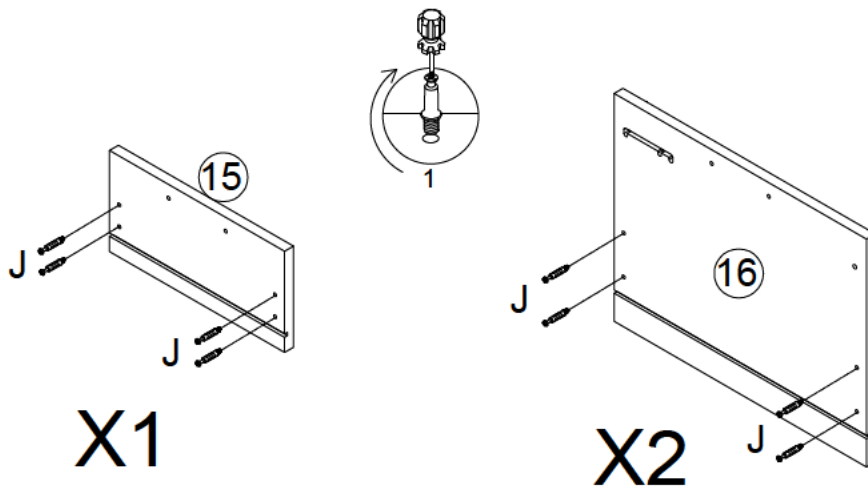
STEP 18



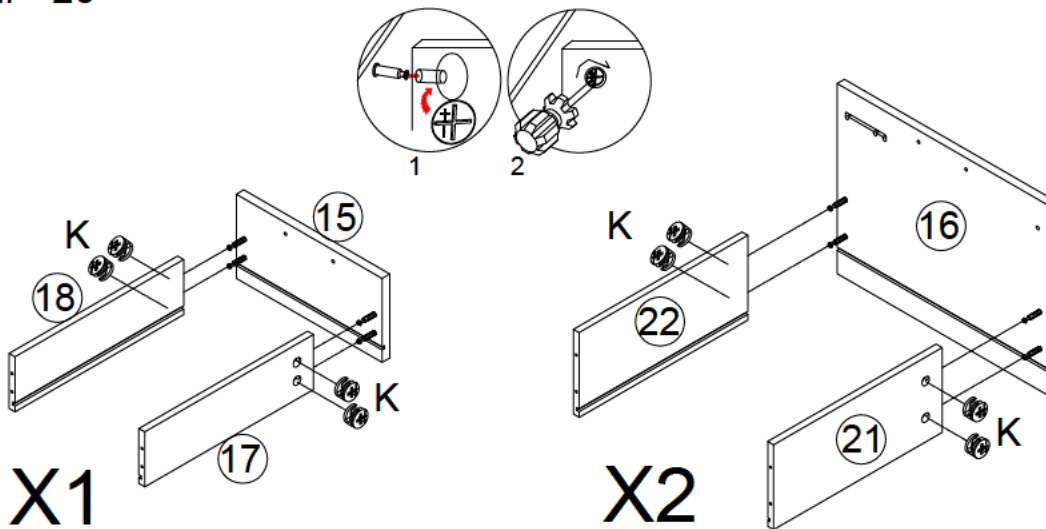
Insert H parts into panel 10,
then press H parts into panel 11.


ASSEMBLY INSTRUCTION

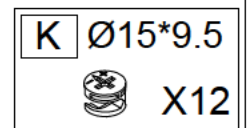
STEP 19



STEP 20

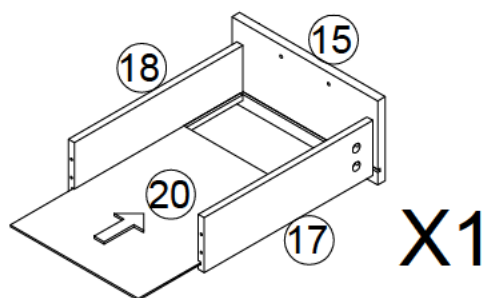


Please do not lock the K  screw.



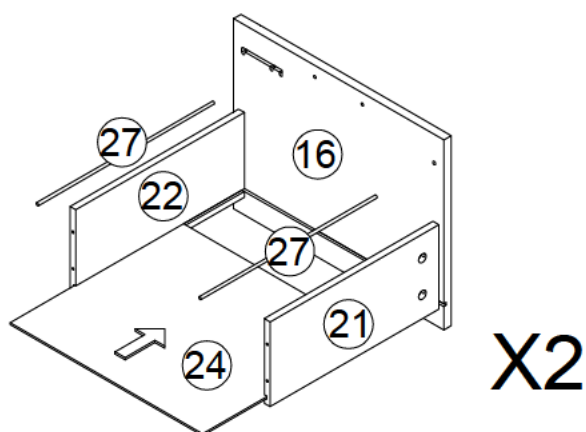
ASSEMBLY INSTRUCTION

STEP 21



Until the 20 part is fully installed,
Please lock the K  screw.

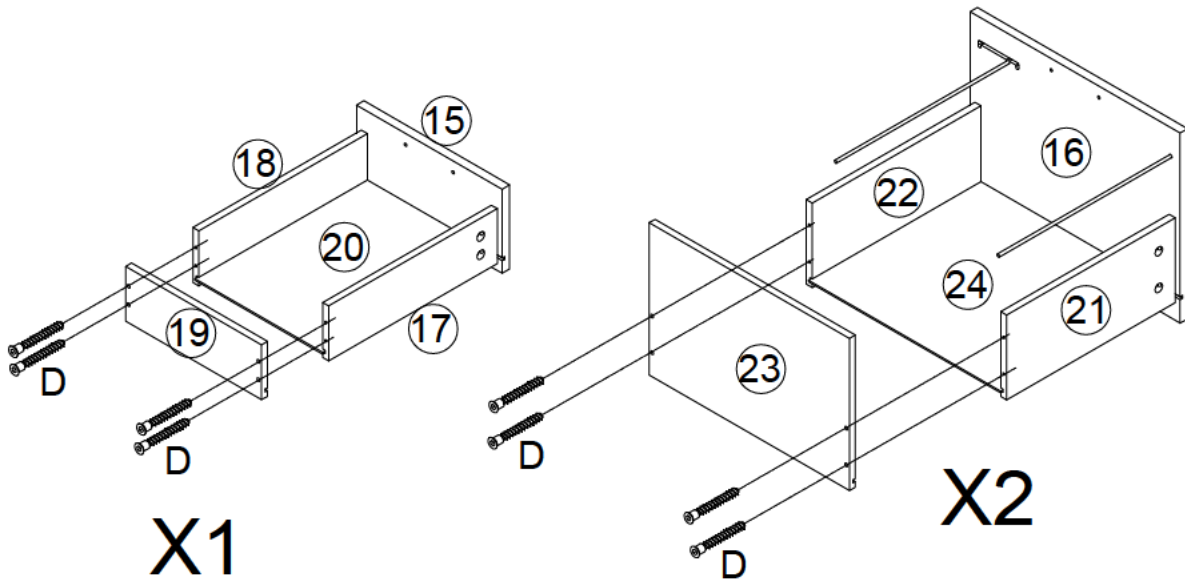
STEP 22




Until the 24 part is fully installed,
Please lock the K  screw.

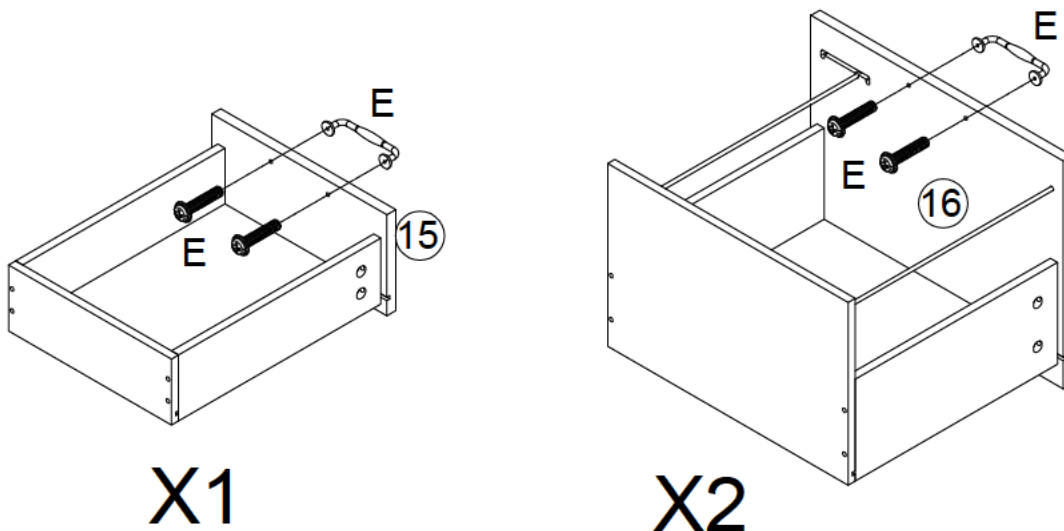
ASSEMBLY INSTRUCTION

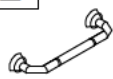

STEP 23



D	M5*40
	X12

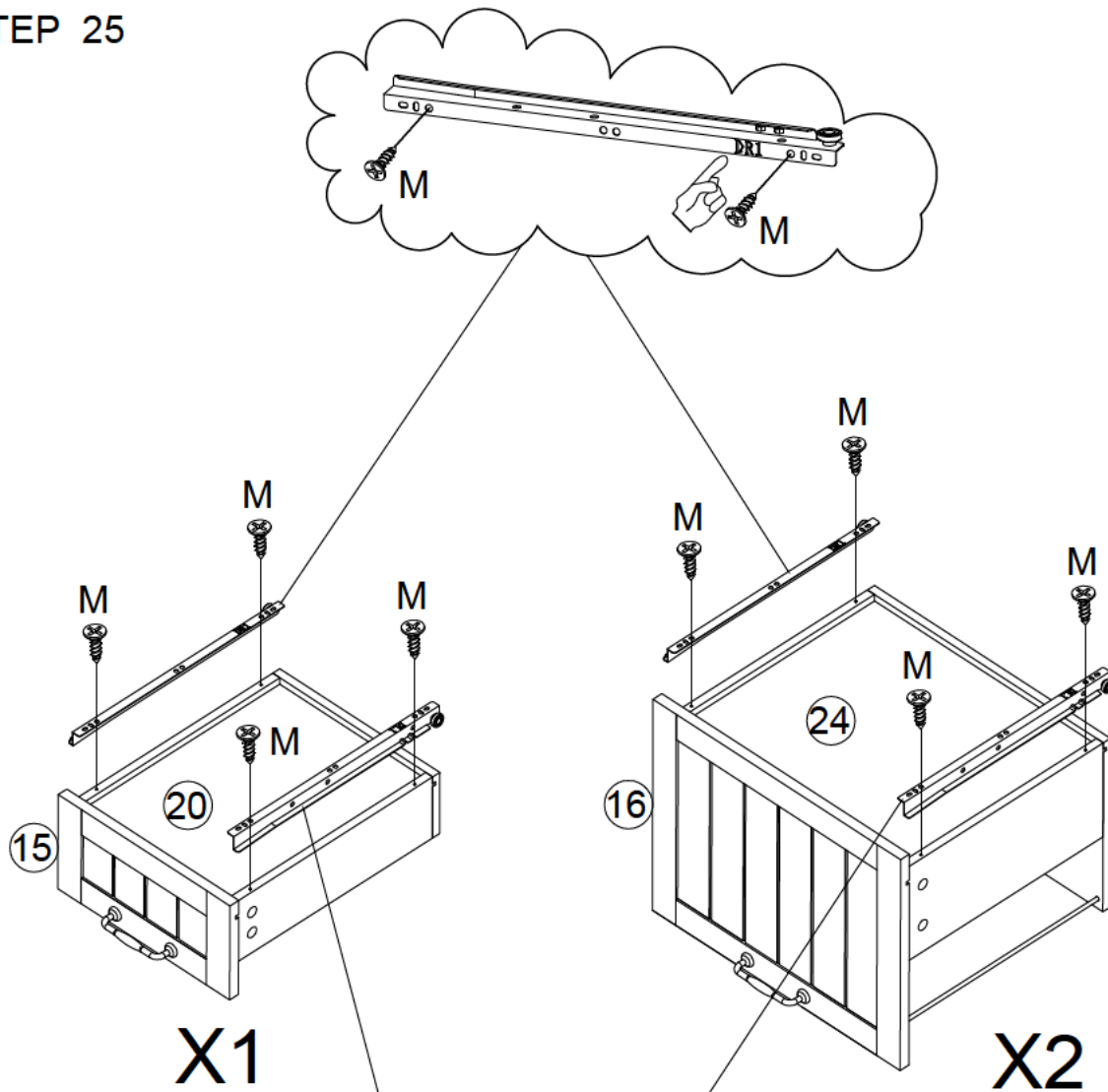
STEP 24



E	M4*18	E		X3
	X6			

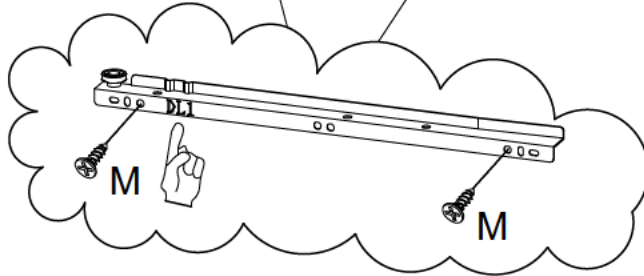
ASSEMBLY INSTRUCTION


STEP 25



X1

X2

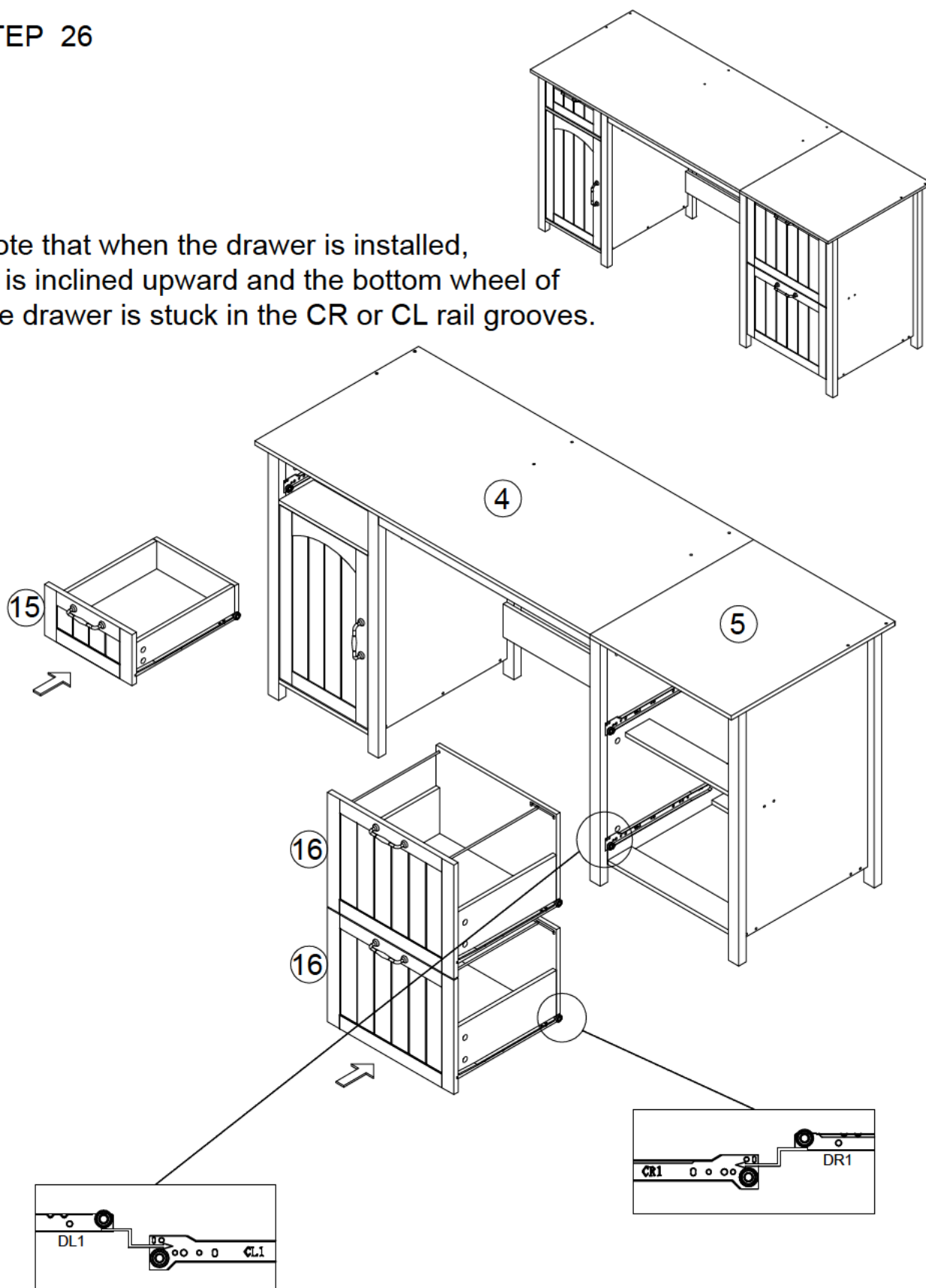


M	M3.5*12
	X12

ASSEMBLY INSTRUCTION

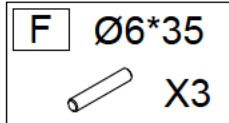
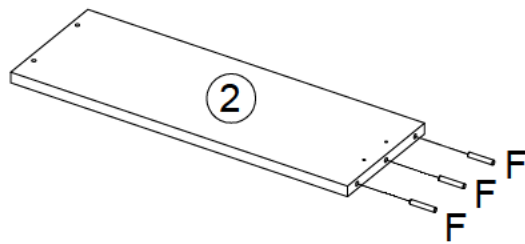
STEP 26

Note that when the drawer is installed, it is inclined upward and the bottom wheel of the drawer is stuck in the CR or CL rail grooves.

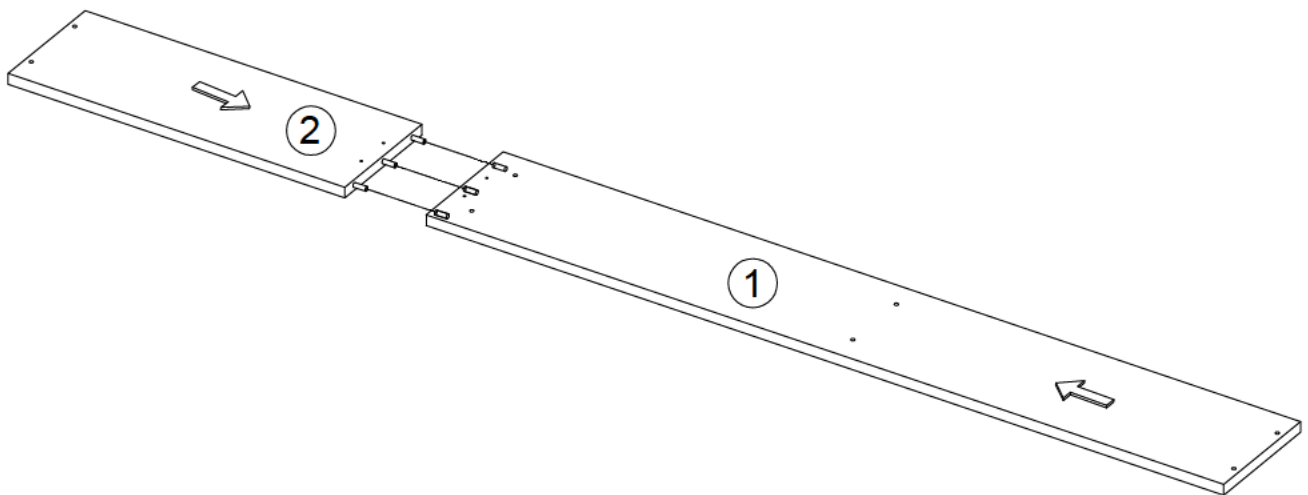


ASSEMBLY INSTRUCTION

STEP 27

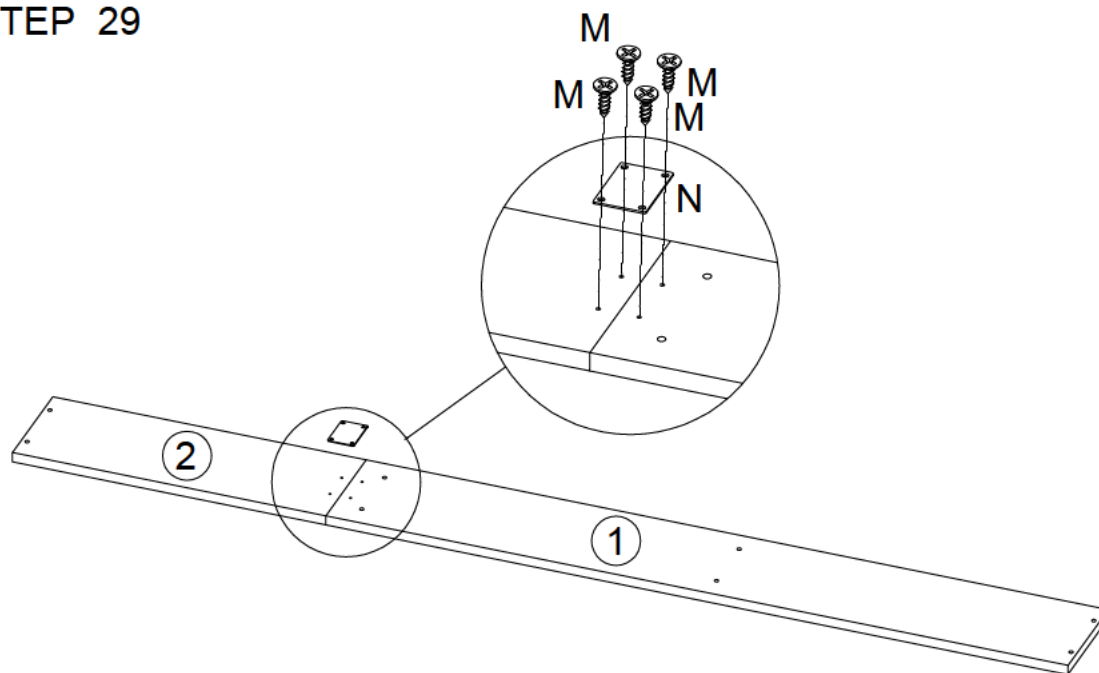




STEP 28



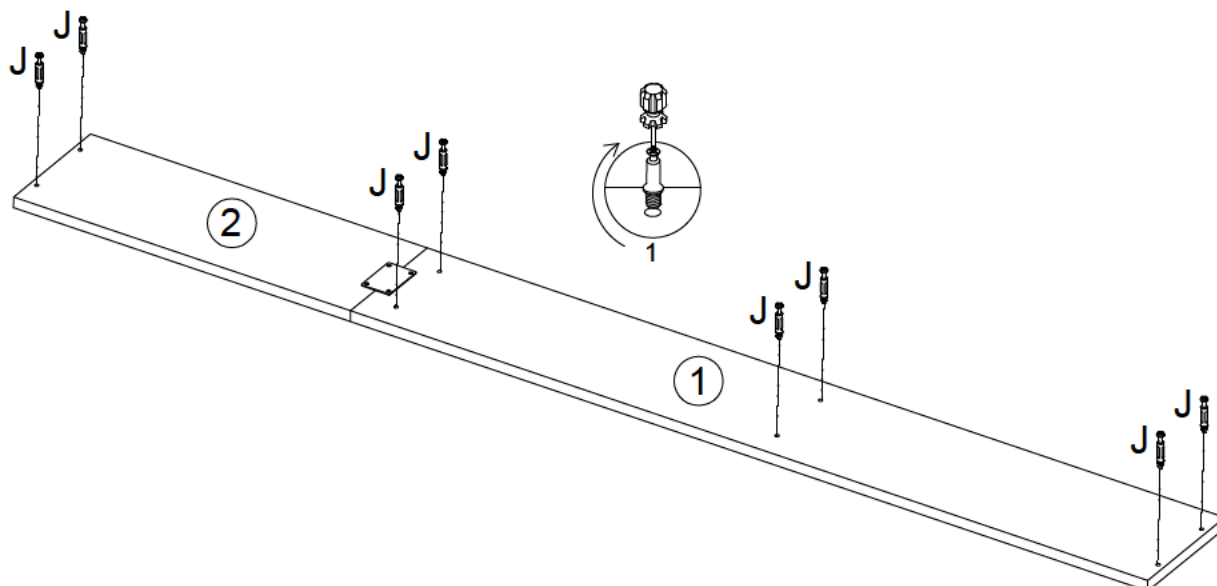
ASSEMBLY INSTRUCTION


STEP 29



M	M3.5*12	N	40*60
	X4		X1

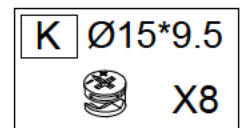
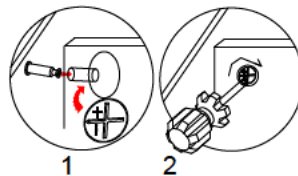
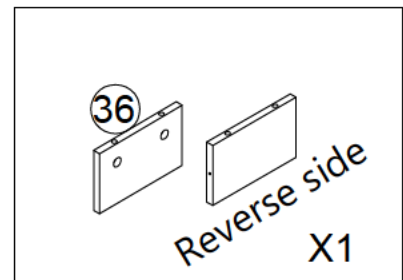
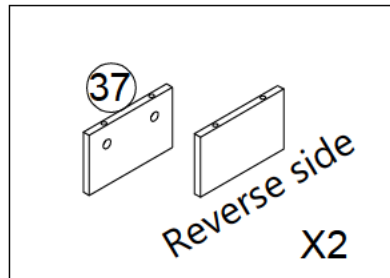
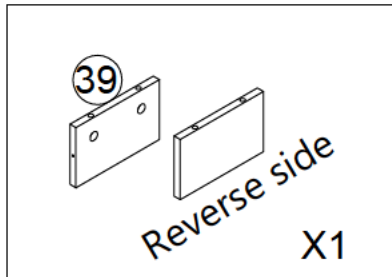
STEP 30



J	ST6*40
	X8

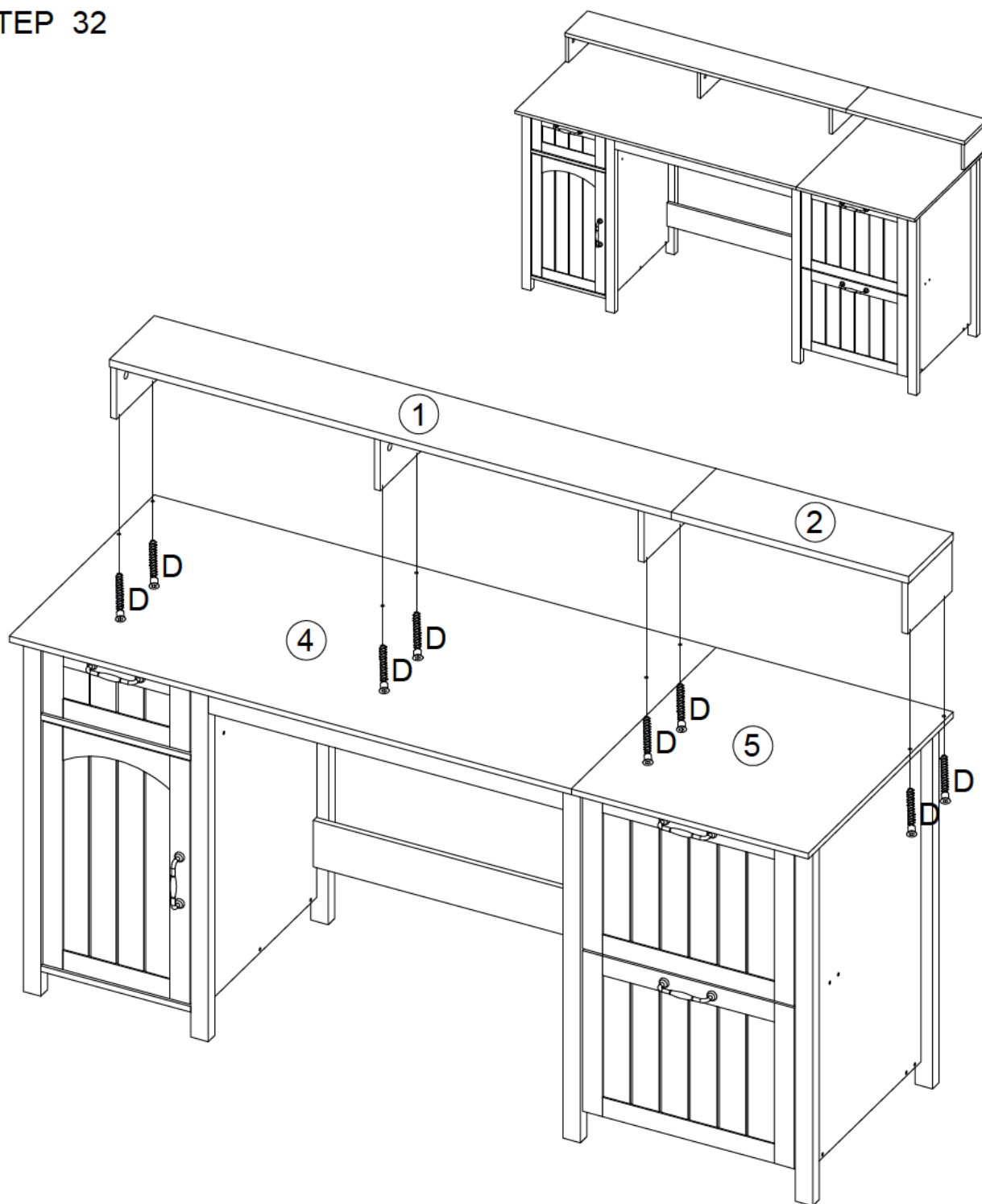
ASSEMBLY INSTRUCTION

STEP 31



ASSEMBLY INSTRUCTION

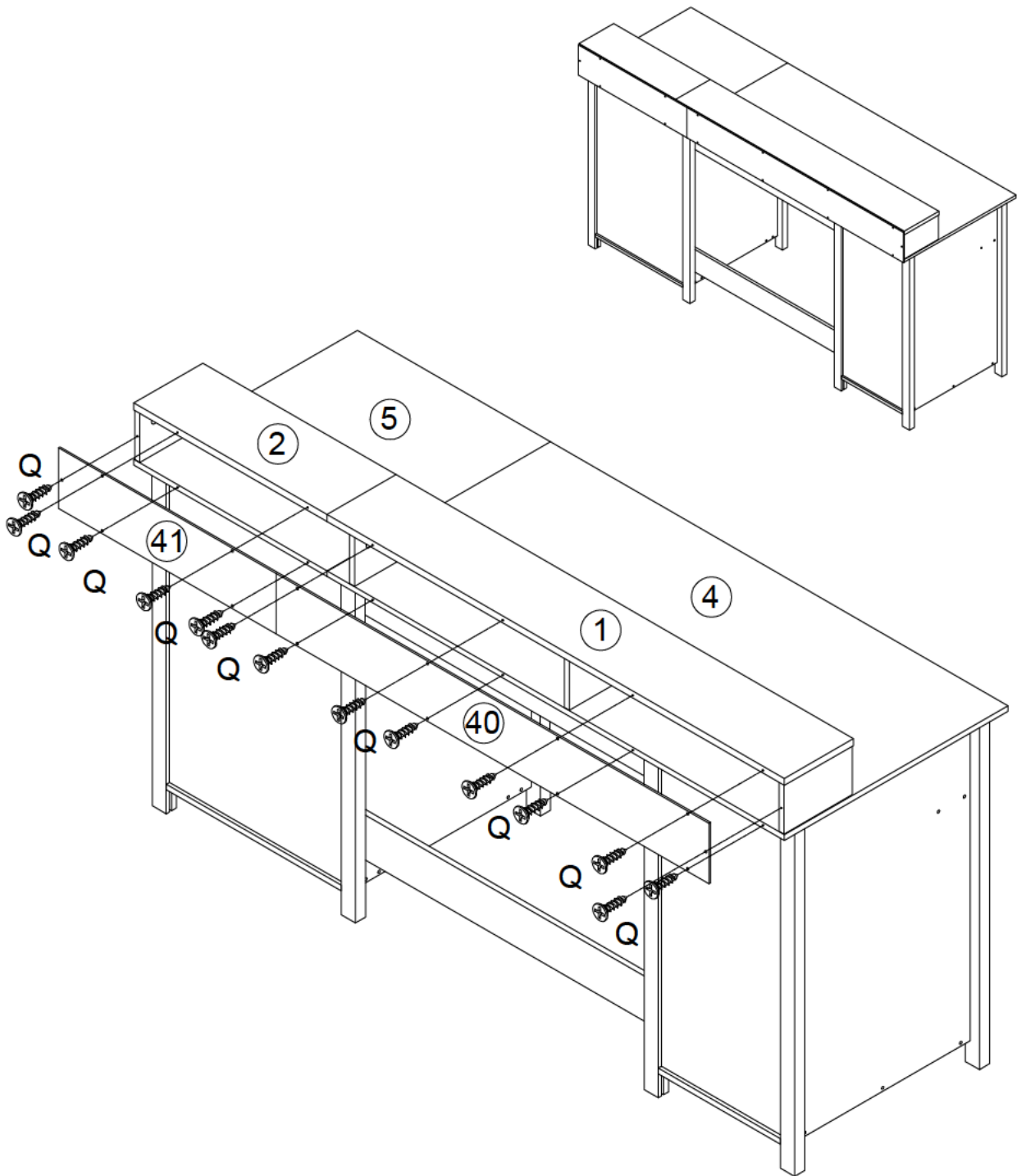
STEP 32



D M5*40
X8

ASSEMBLY INSTRUCTION

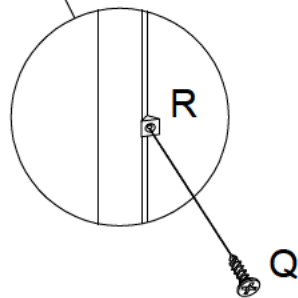
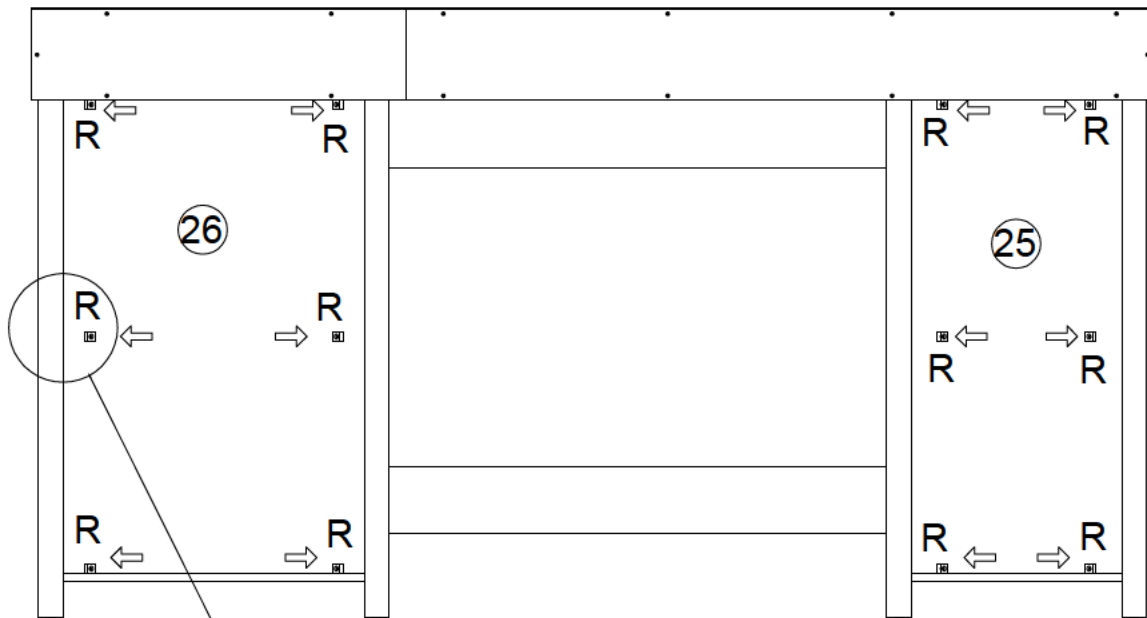
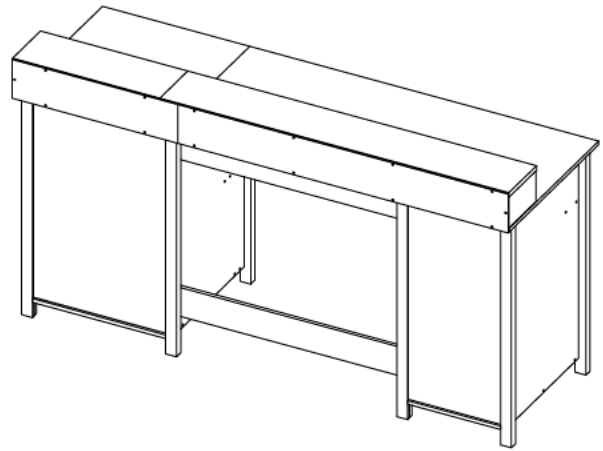
STEP 33





Q M3.5*14
X14

ASSEMBLY INSTRUCTION

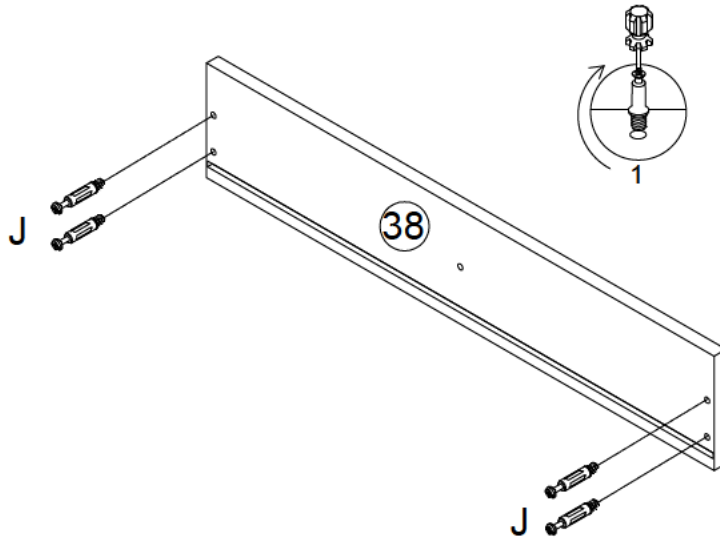
STEP 34



Q	M3.5*14
	X12
R	
	X12

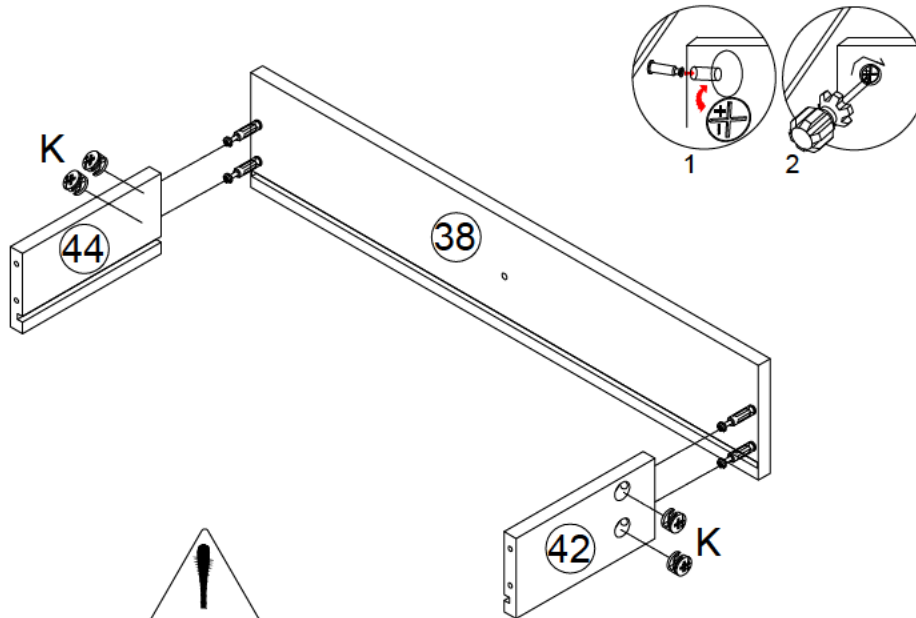
ASSEMBLY INSTRUCTION

STEP 35



J ST6*40
X4

STEP 36

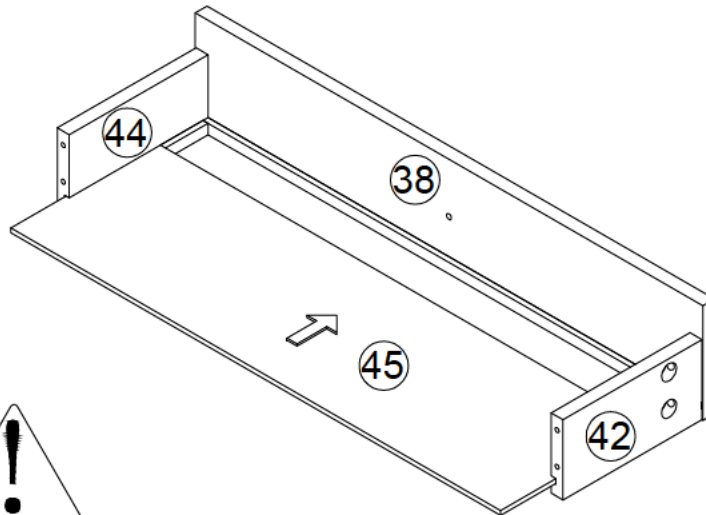


Please do not lock the K screw.

K Ø15*9.5
X4

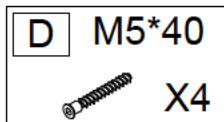
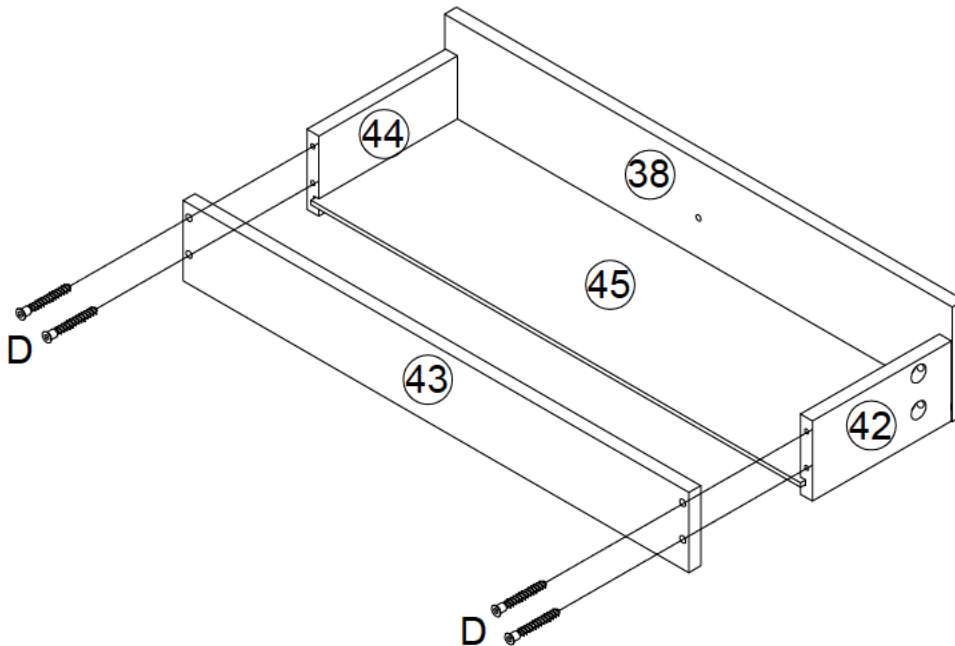
ASSEMBLY INSTRUCTION

STEP 37



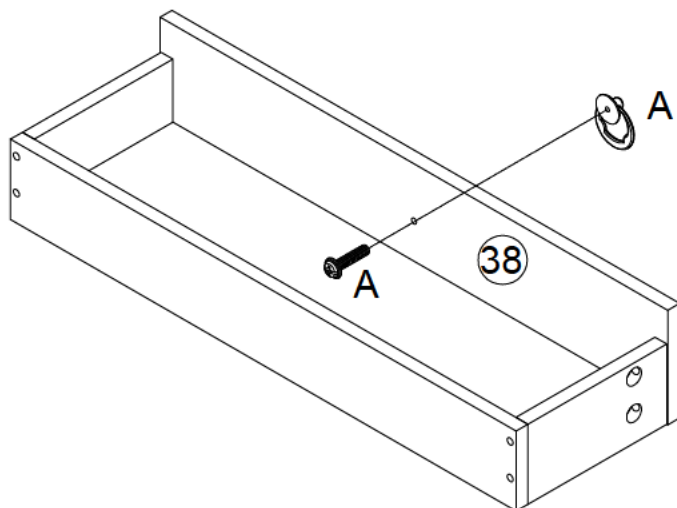
Until the 45 part is fully installed,
Please lock the K  screw.

STEP 38



ASSEMBLY INSTRUCTION

STEP 39



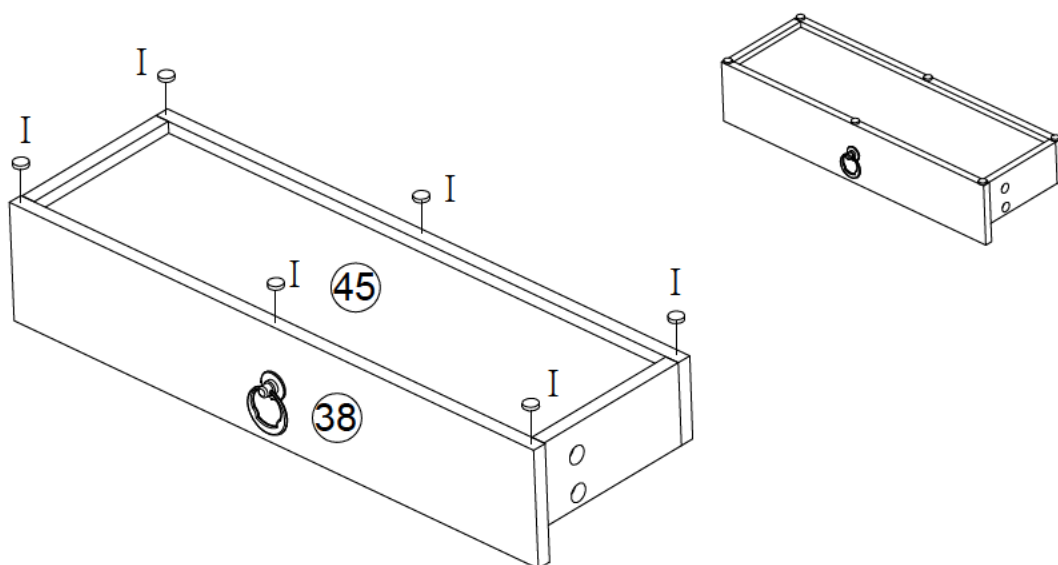
A M4*14

X1

A

X1

STEP 40



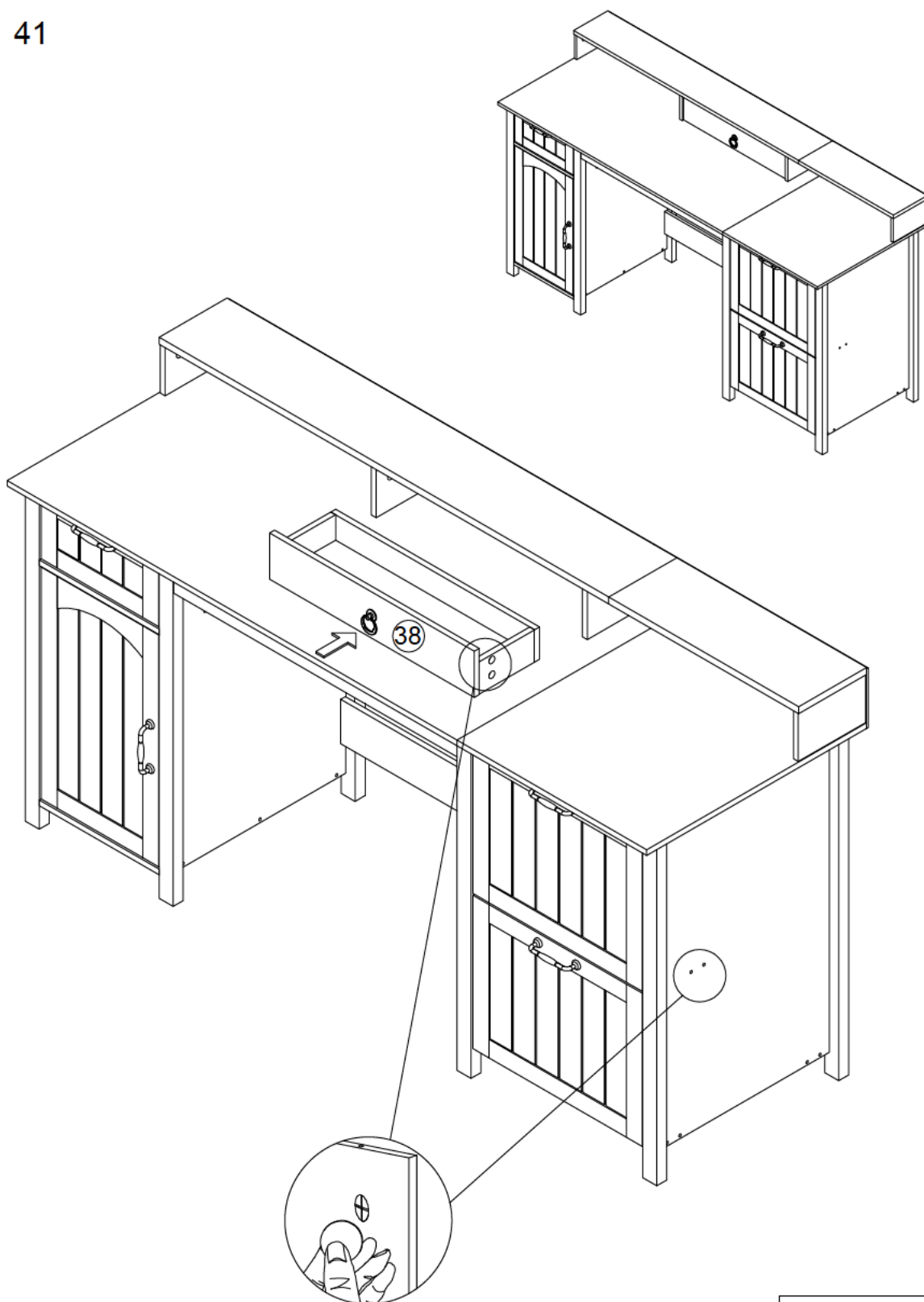
Remove the plastic film from the sponge pad before installation

I Ø12

X6

ASSEMBLY INSTRUCTION

STEP 41



Ø21 x 0.3

○ X70