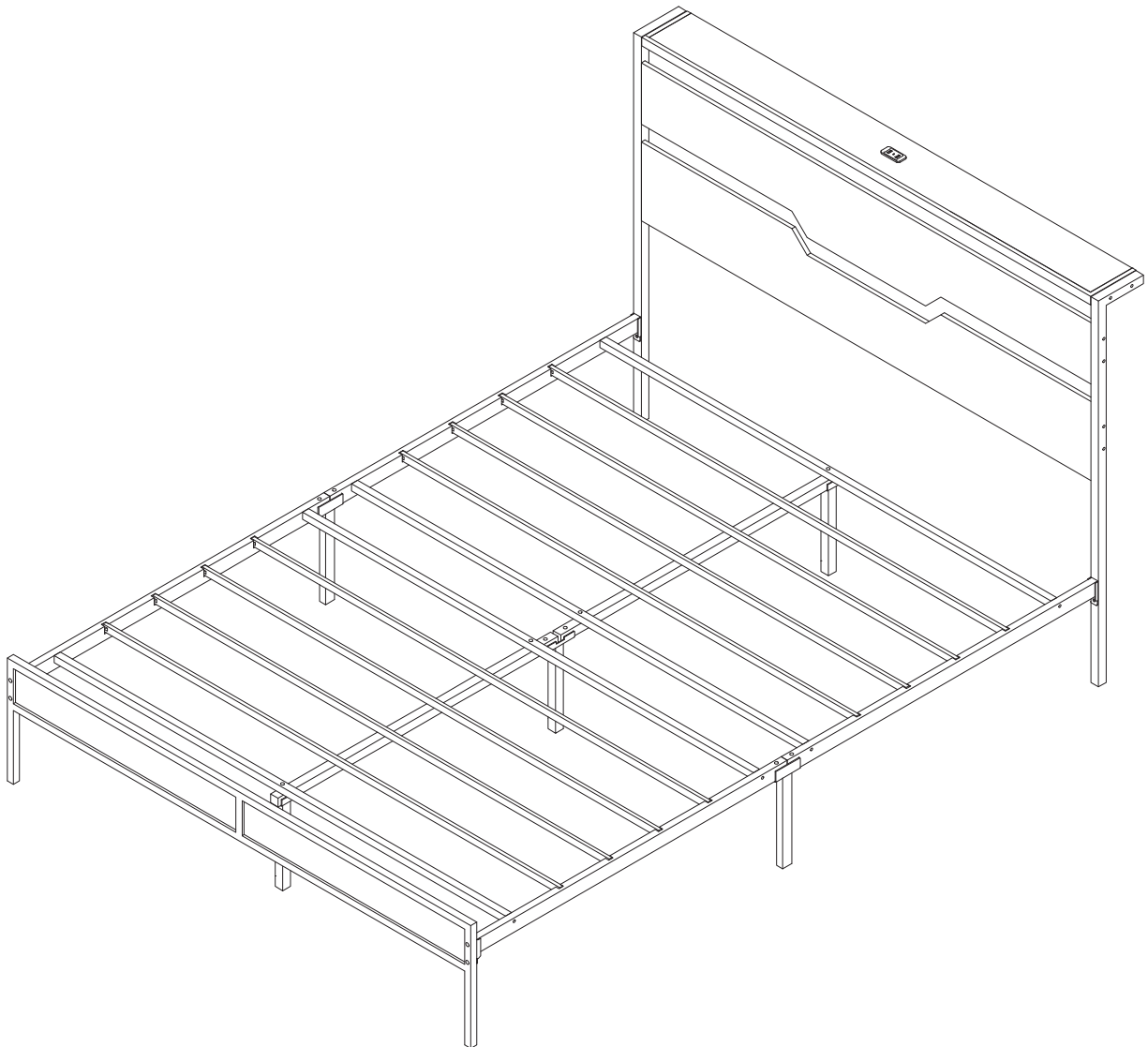


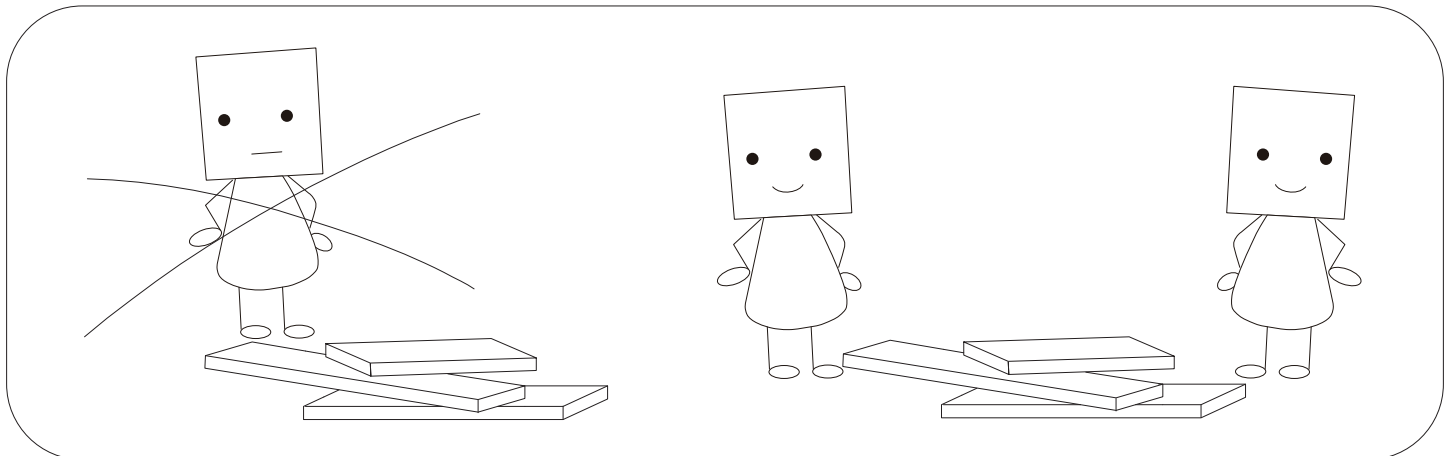
# ASSEMBLY INSTRUCTIONS



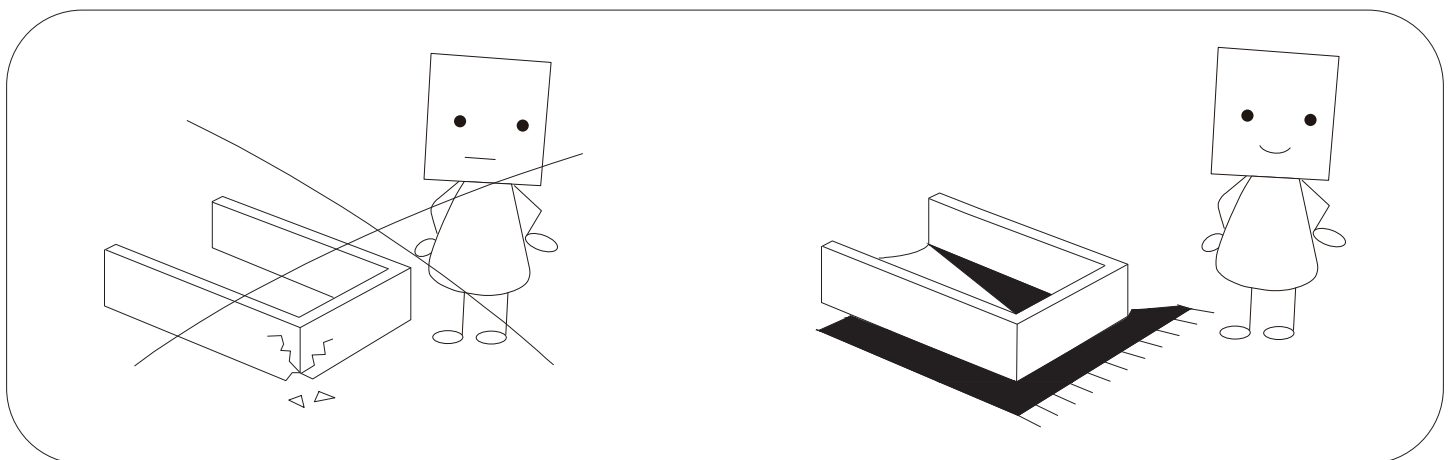


# WARNING

Need Two Or More People To Complete

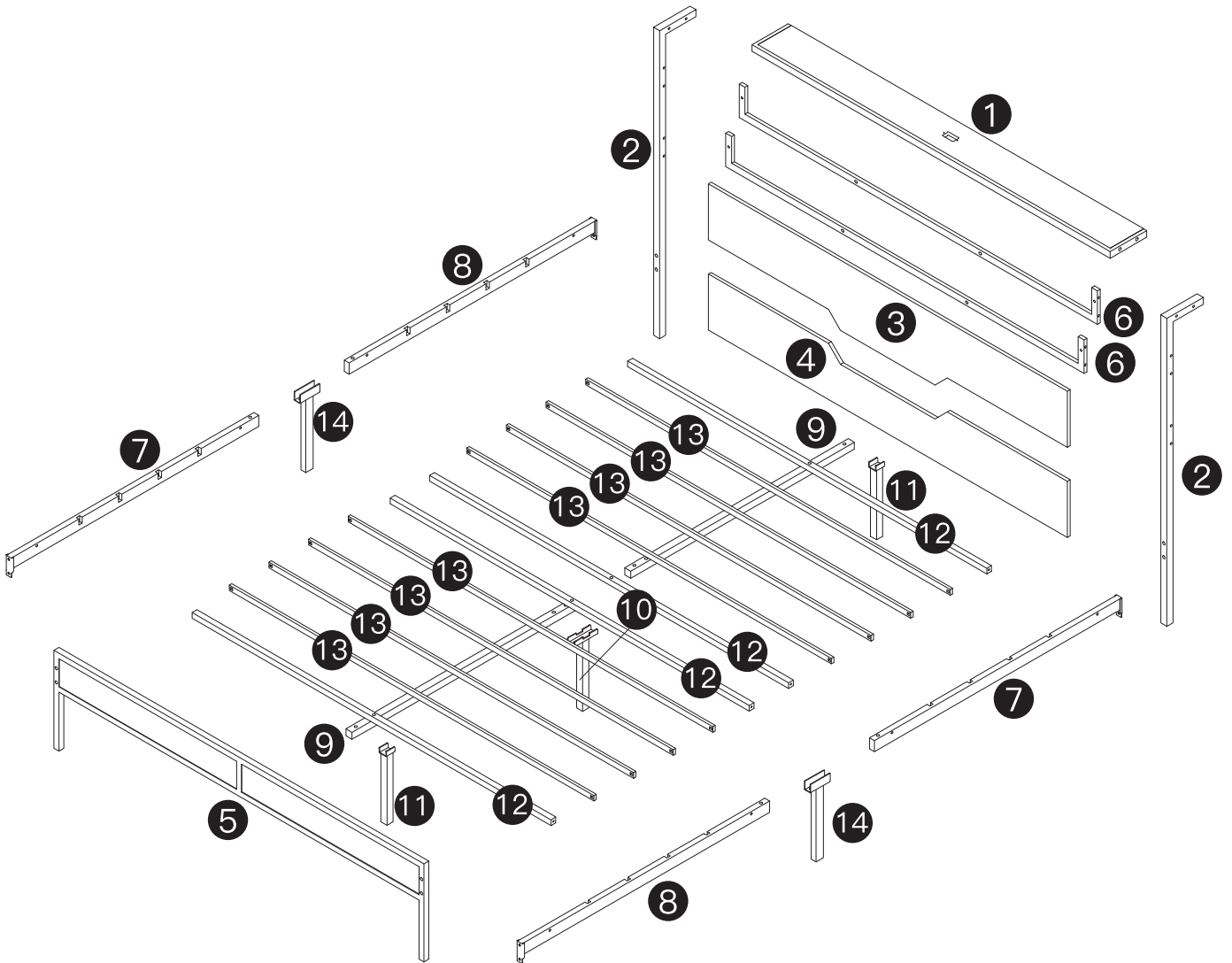


Assemble Item On a Clean Flat Surface



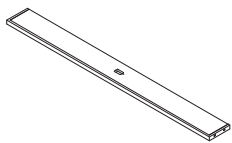

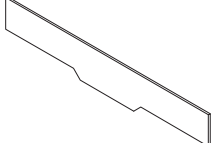
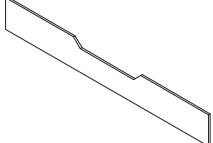
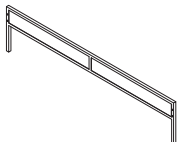
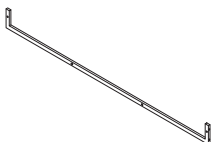
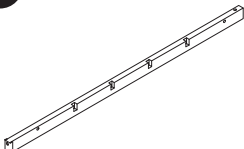
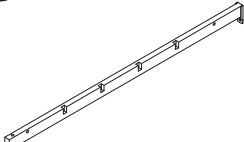
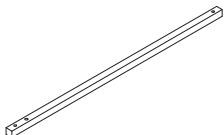


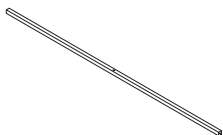





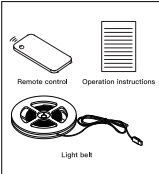




- Please check you have all hardware before assembling.
- Please ensure you have the name of the item and hardware part required and quantity.
- If you have any questions, please contact us by original purchase platform. we will reply you ASAP.
- Please don't tighten the screws completely and go back later for a final tightening of all the screws after pieces are aligned with each other.
- For the safety of you and your family, it is necessary to install Anti-Tip Device Kit.

# EXPLODED DRAWING:



Please check all parts and accessories according to the parts list before assembling, make sure all contents are sufficient and in good condition. If there is any parts missing or defective, please contact us with purchase platform message immediately to get replacement parts.

**PARTS:**

 <p><b>1</b> x1</p>	 <p><b>2</b> x2</p>	 <p><b>3</b> x1</p>	 <p><b>4</b> x1</p>
 <p><b>5</b> x1</p>	 <p><b>6</b> x2</p>	 <p><b>7</b> x2</p>	 <p><b>8</b> x2</p>
 <p><b>9</b> x2</p>	 <p><b>10</b> x1</p>	 <p><b>11</b> x2</p>	 <p><b>12</b> x4</p>
 <p><b>13</b> x8</p>	 <p><b>14</b> x2</p>	 <p><b>15</b> x5</p>	 <p><b>16</b> x1</p>
 <p><b>17</b> x1</p>	 <p><b>18</b> x1</p>		
 <p><b>A</b> M6x20mm x8</p>	 <p><b>B</b> M3x10mm x5</p>	 <p><b>C</b> M6x37mm x22</p>	 <p><b>D</b> M8x55mm x6</p>

**E**

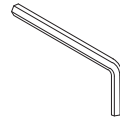


M8x35mm  
x10

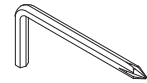
**F**



M3x12mm  
x2



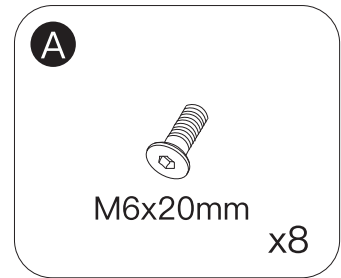
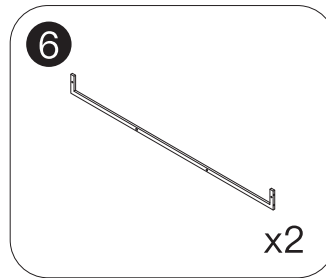
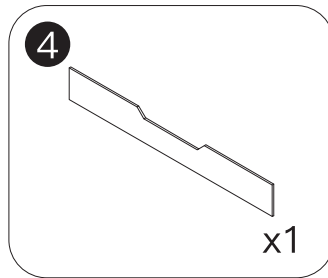
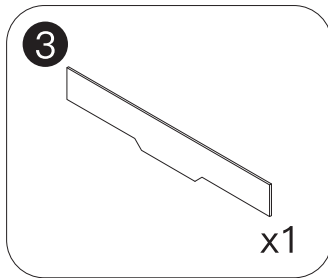
S5  
x1



S4  
x1

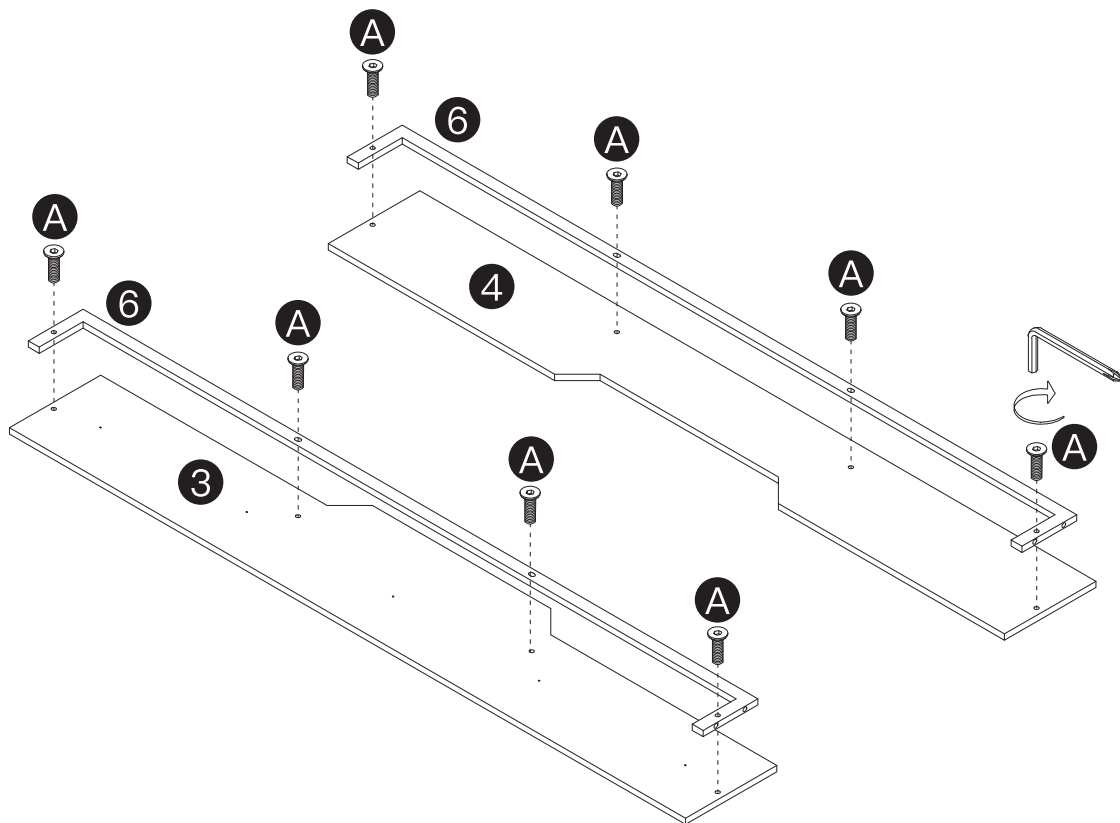
# HOW TO INSTALL

## STEP 1

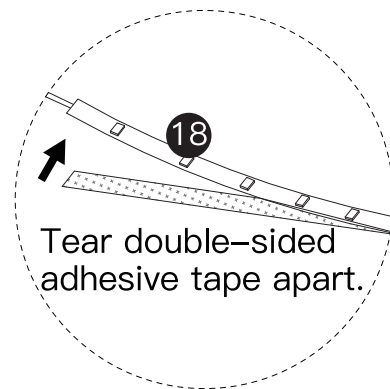
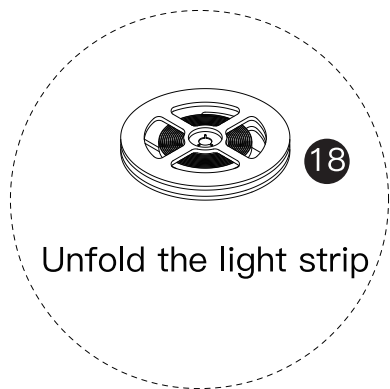
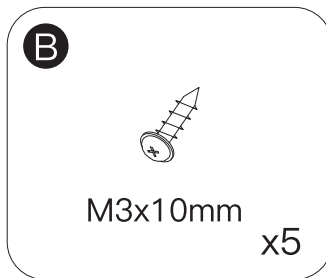
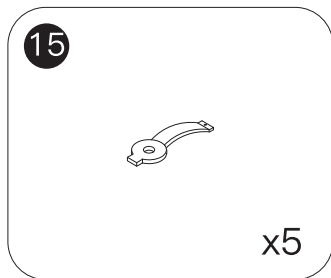
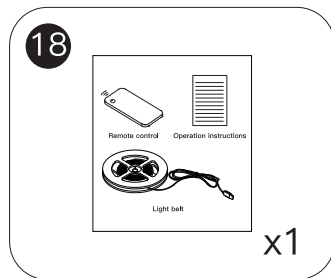


### NOTICE:

Please pay attention to the direction of part 3.

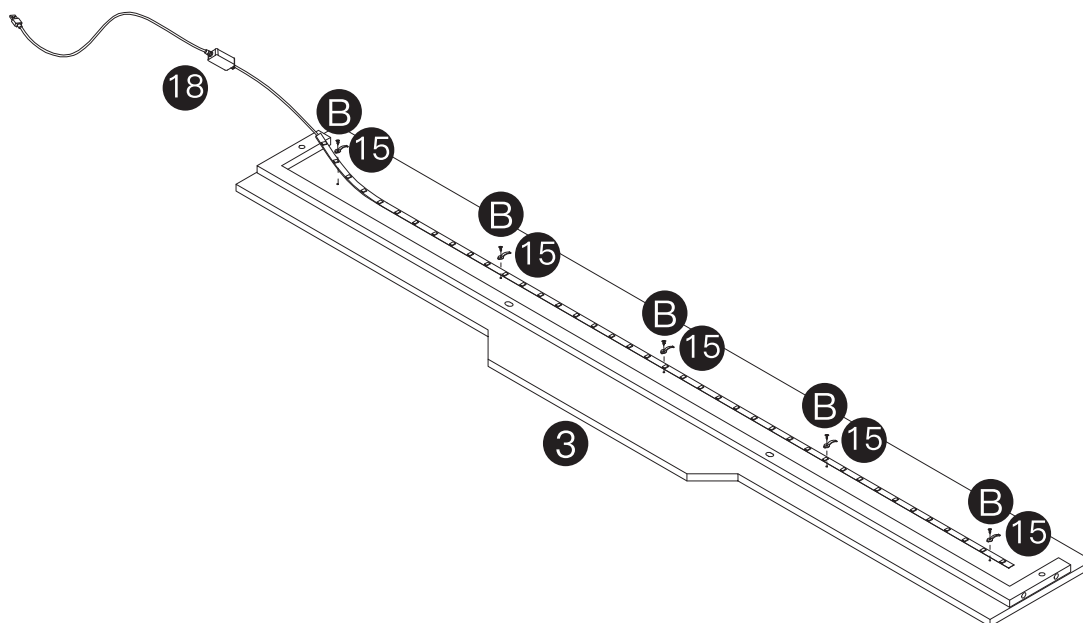
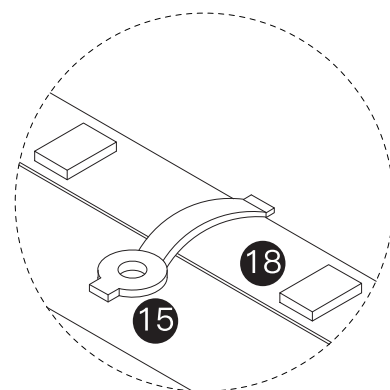
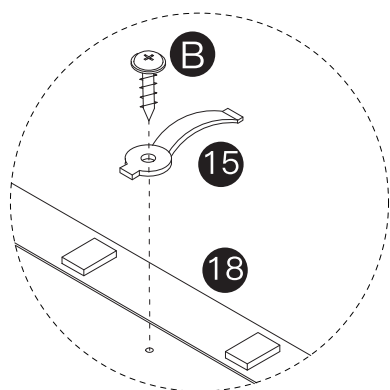


# STEP 2

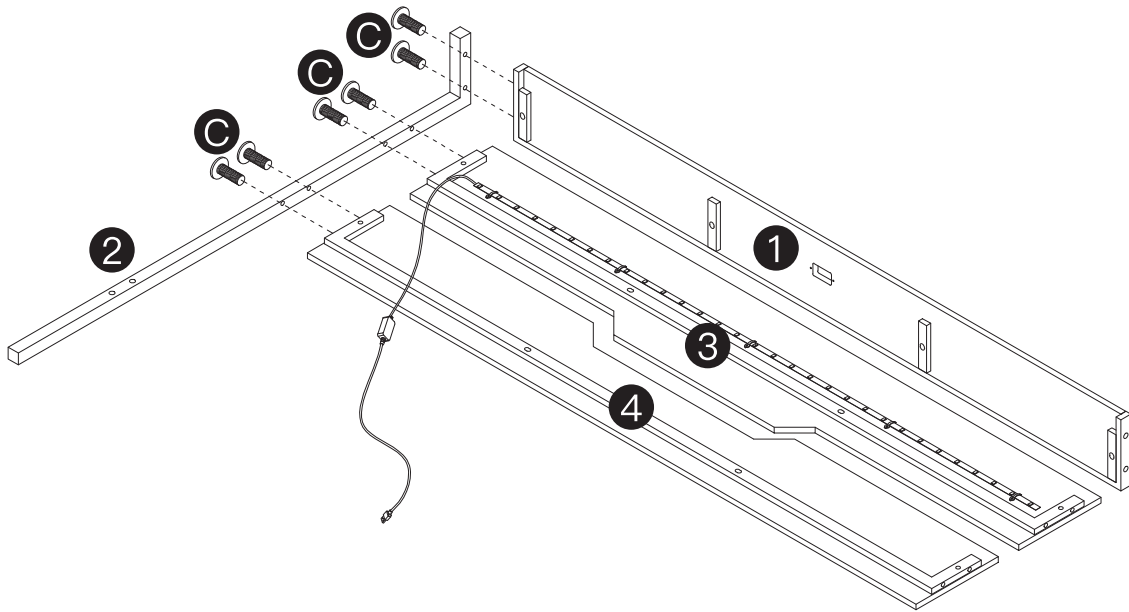
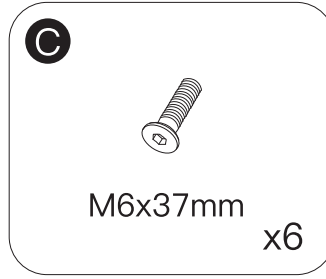
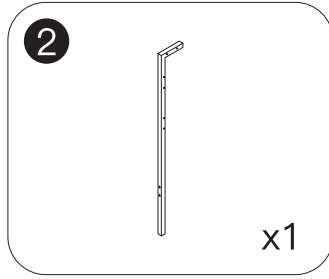
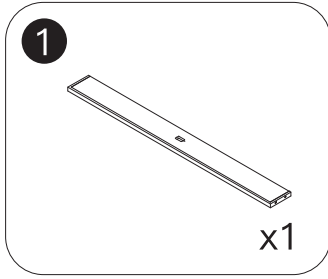


## NOTICE:

1. Please be careful not to tear off the adhesive surface, when removing the double-sided tape.
2. Please install as shown in the picture.



# STEP 3



# STEP 4

2



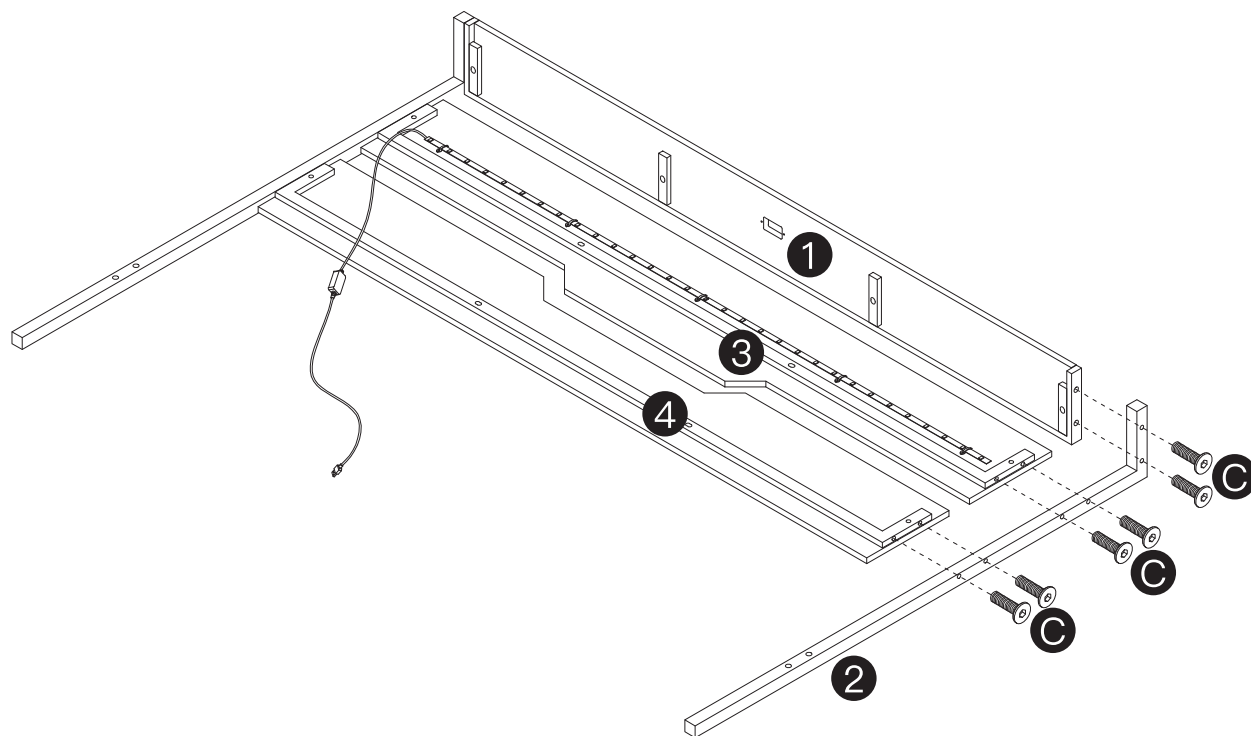
x1

C

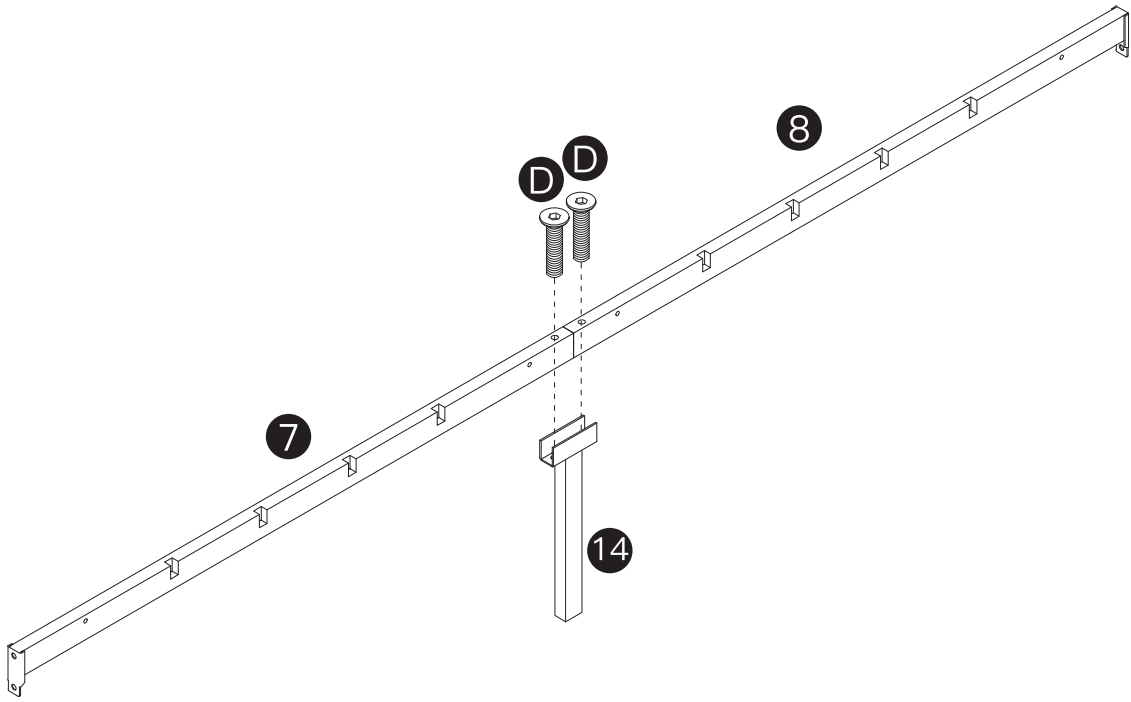
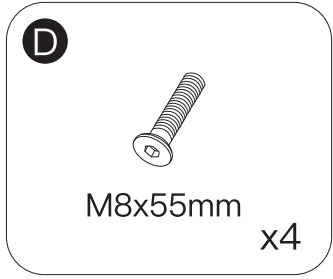
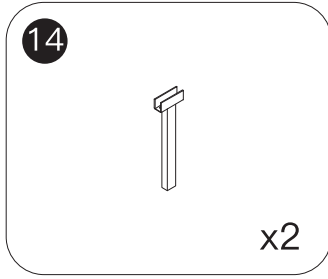
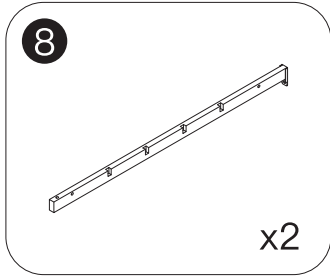
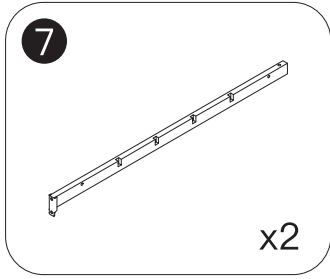


M6x37mm

x6

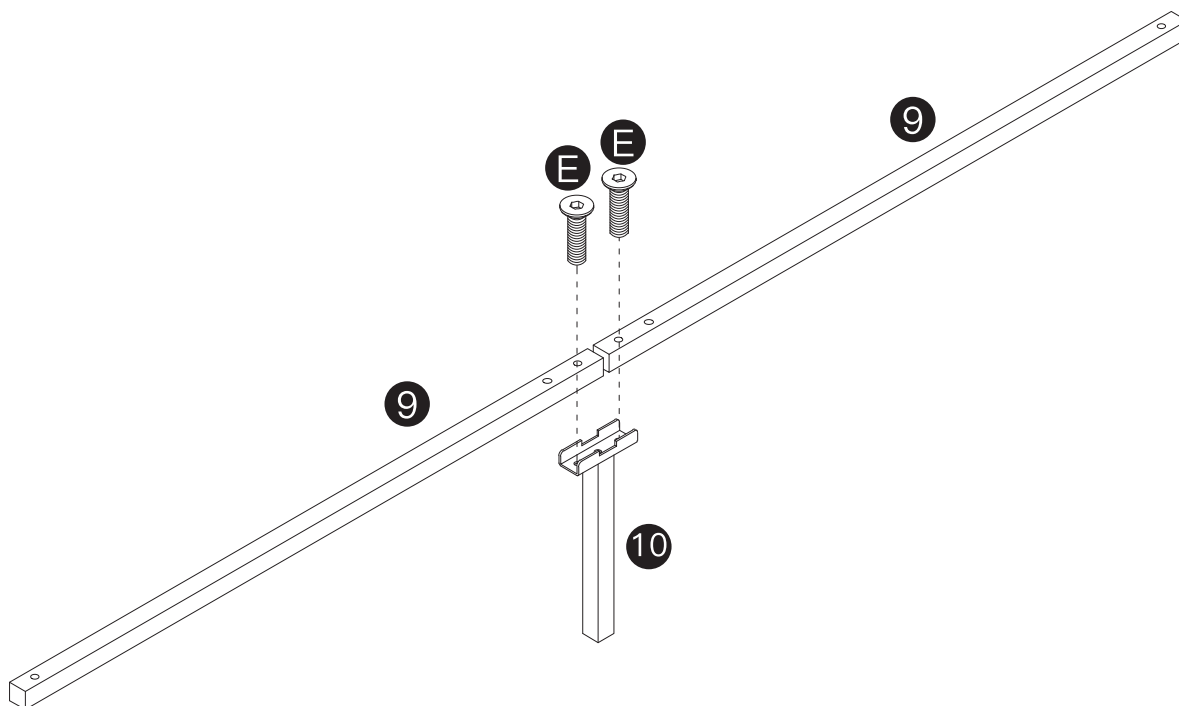
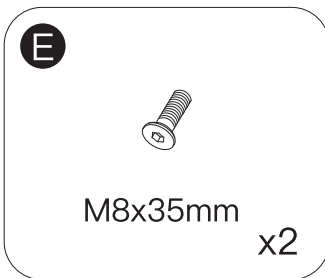
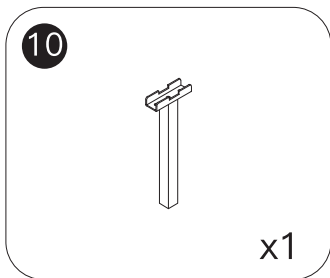
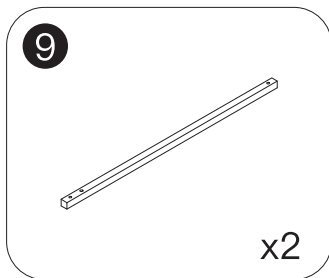


# STEP 5

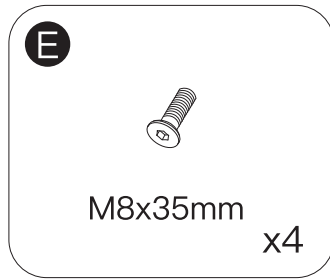
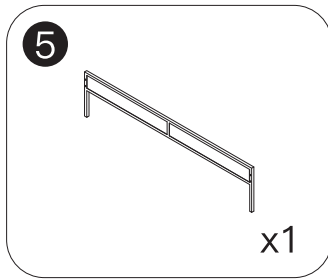


x2

# STEP 6

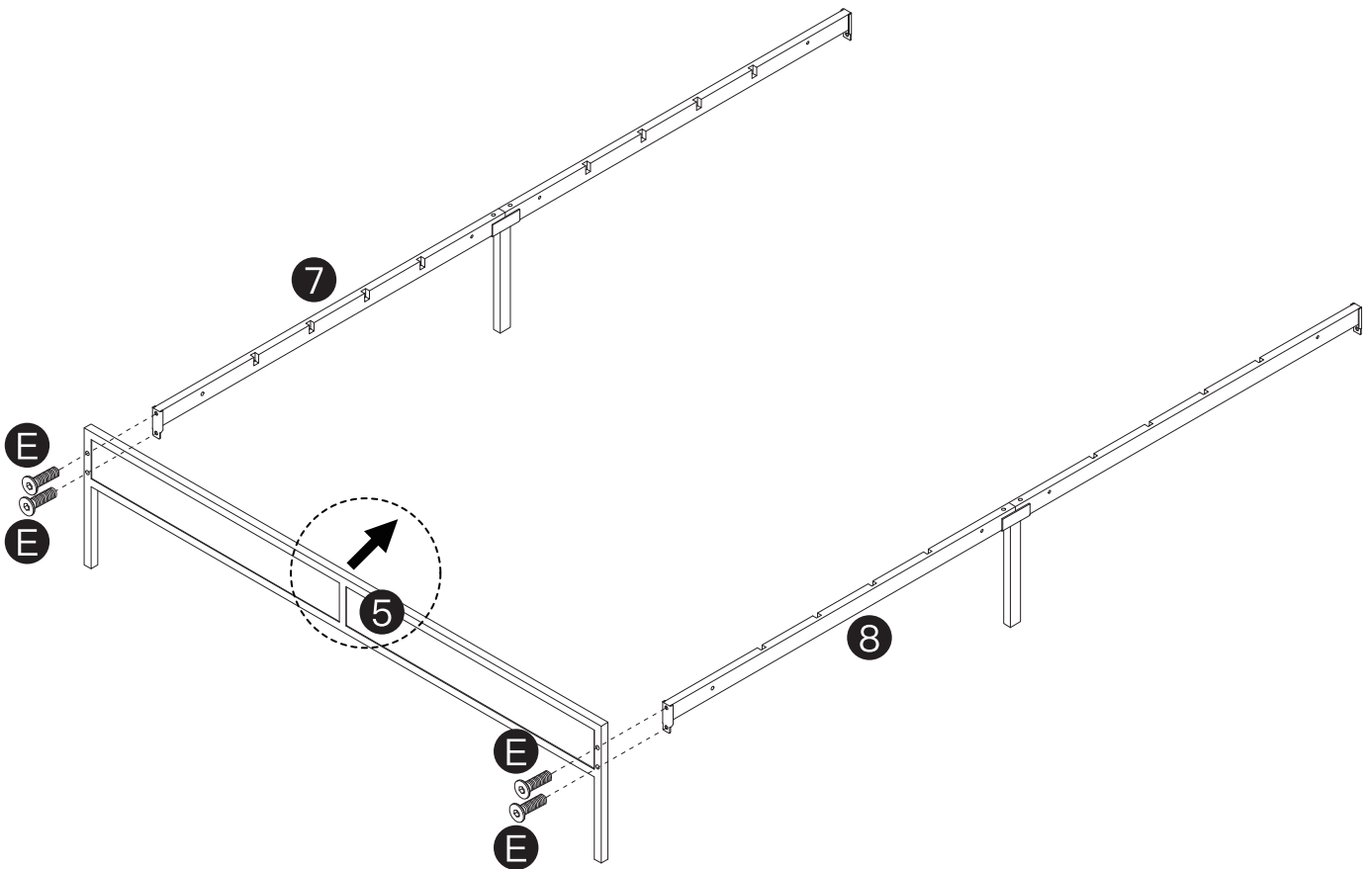


# STEP 7



## NOTICE:

Please ensure that the screw holes of part 5 are facing inward.

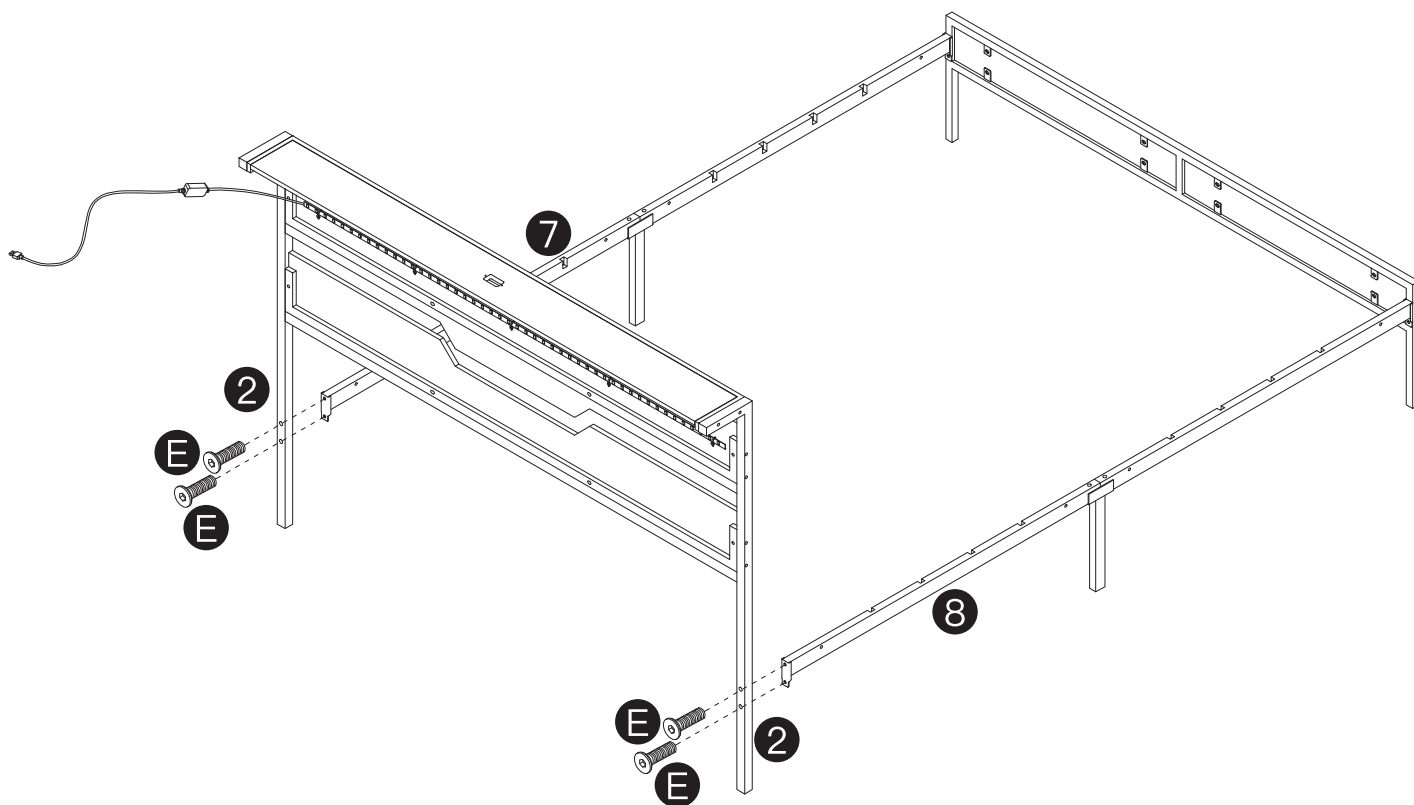


# STEP 8

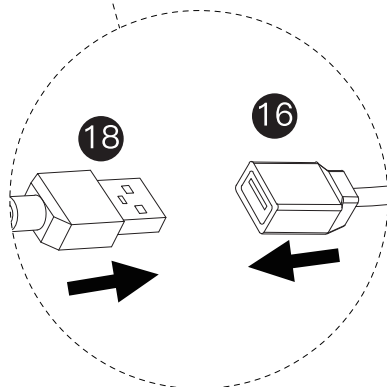
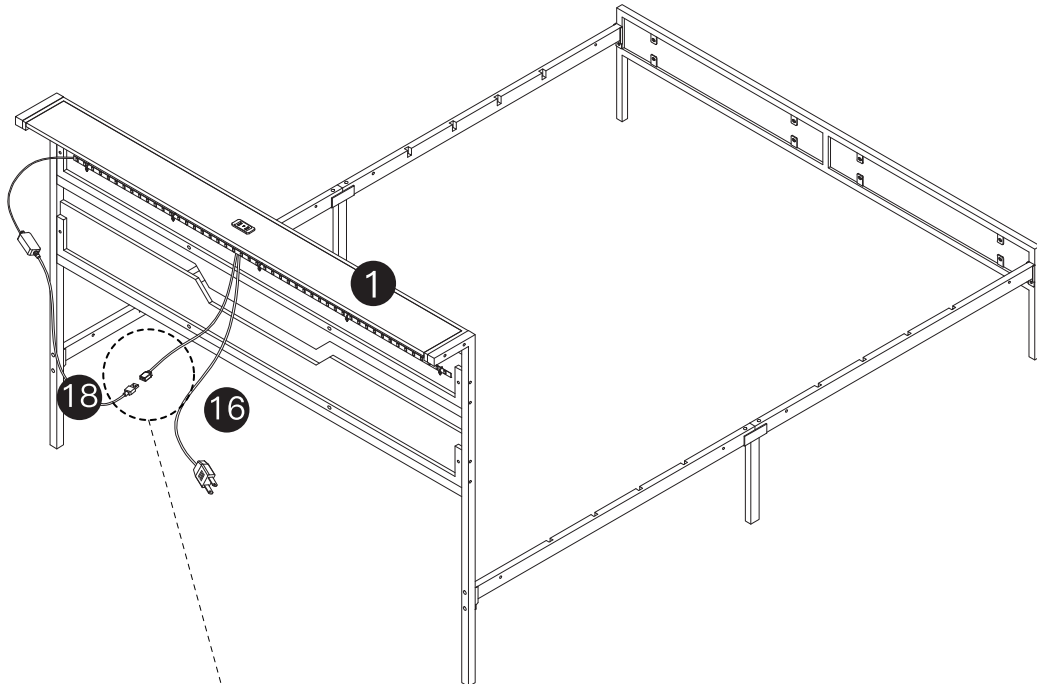
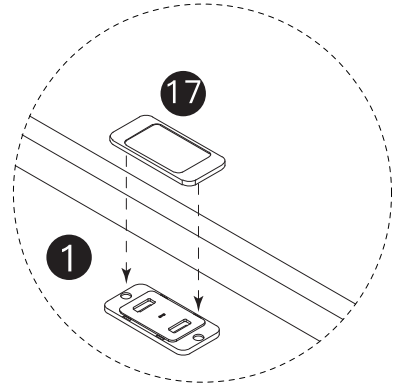
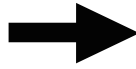
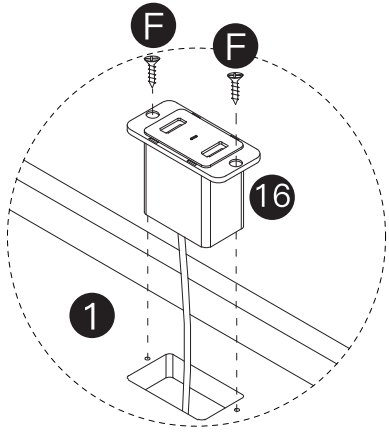
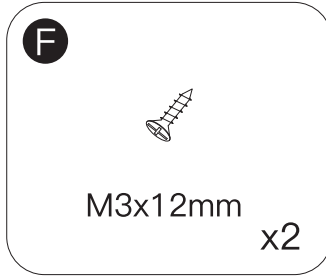
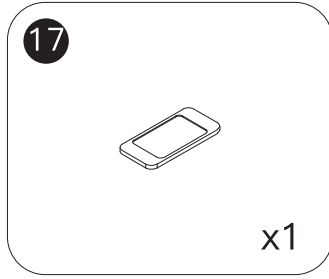
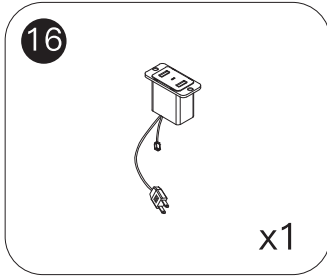
E



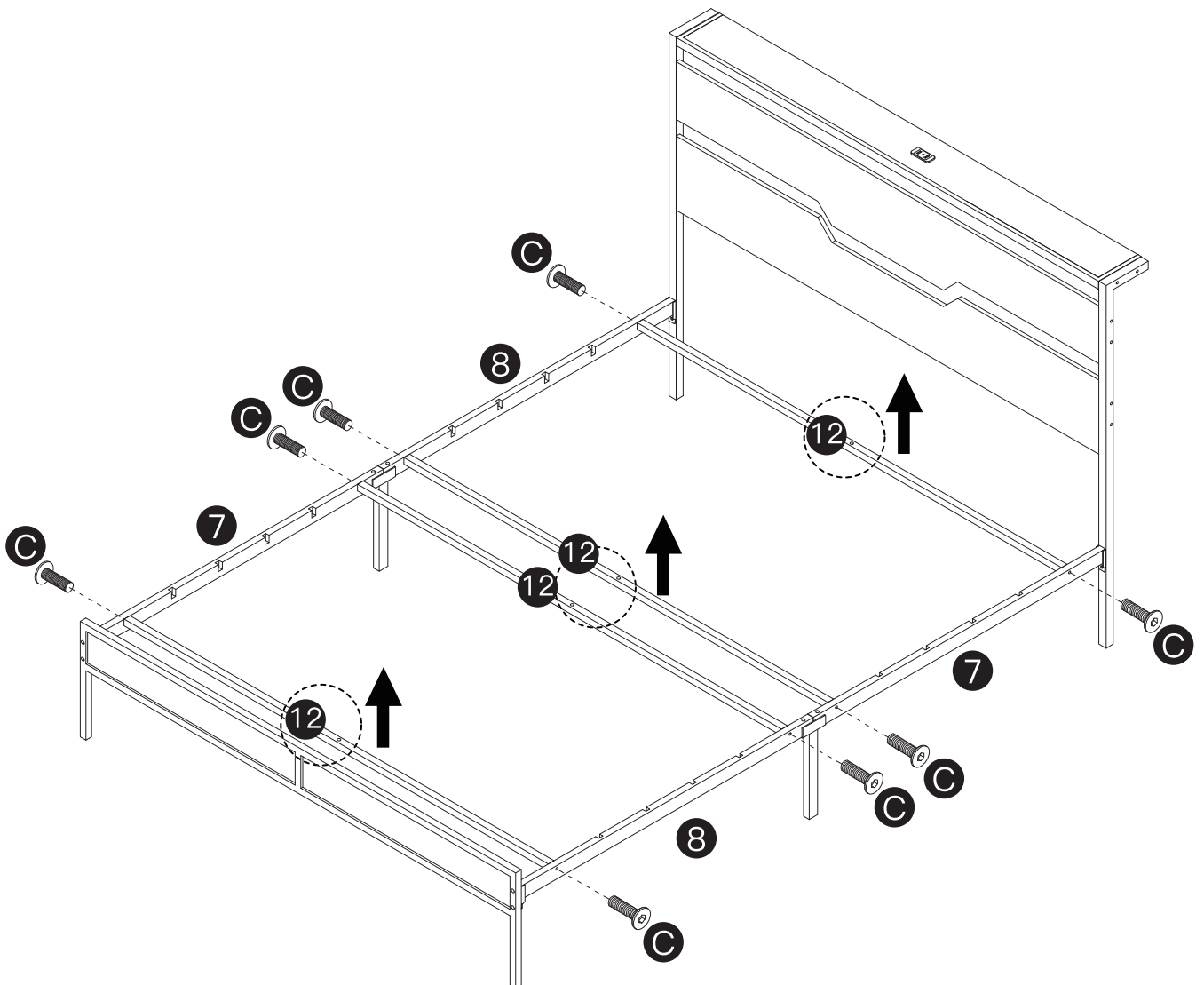
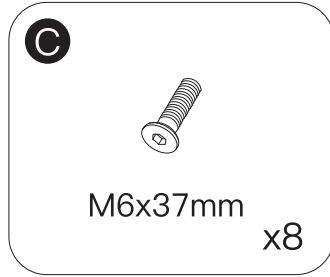
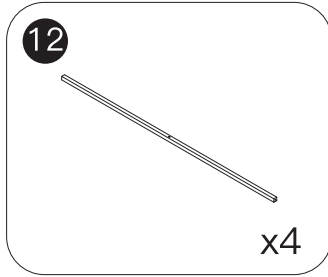
M8x35mm  
x4



# STEP 9



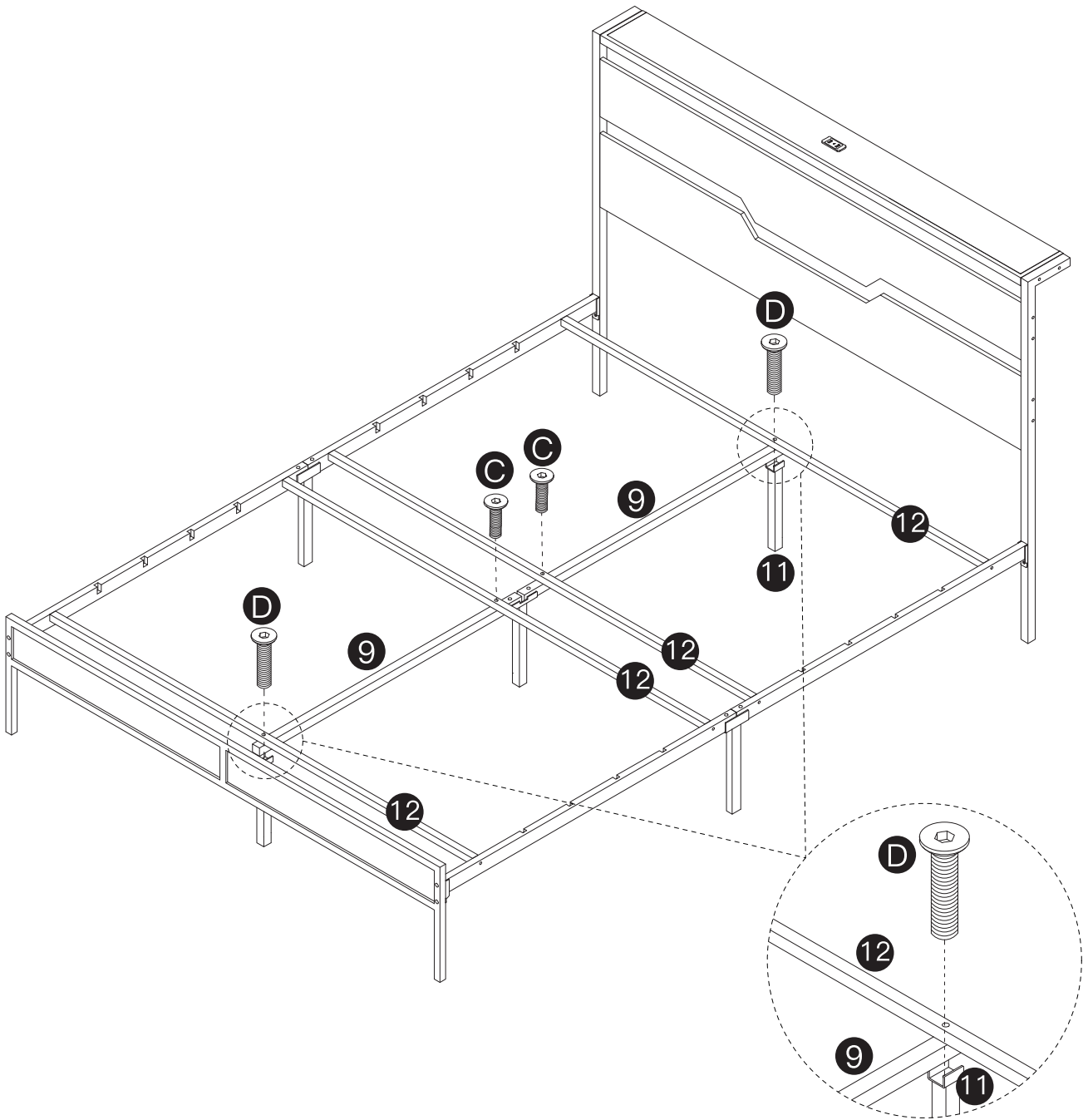
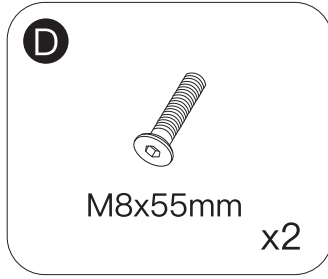
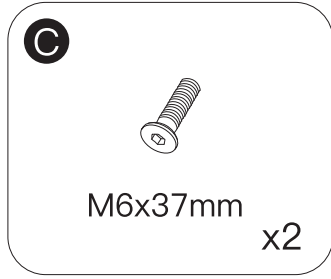
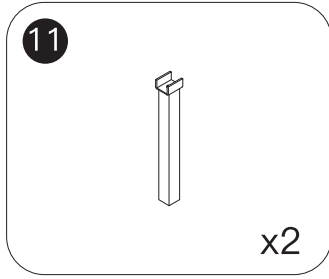
# STEP 10



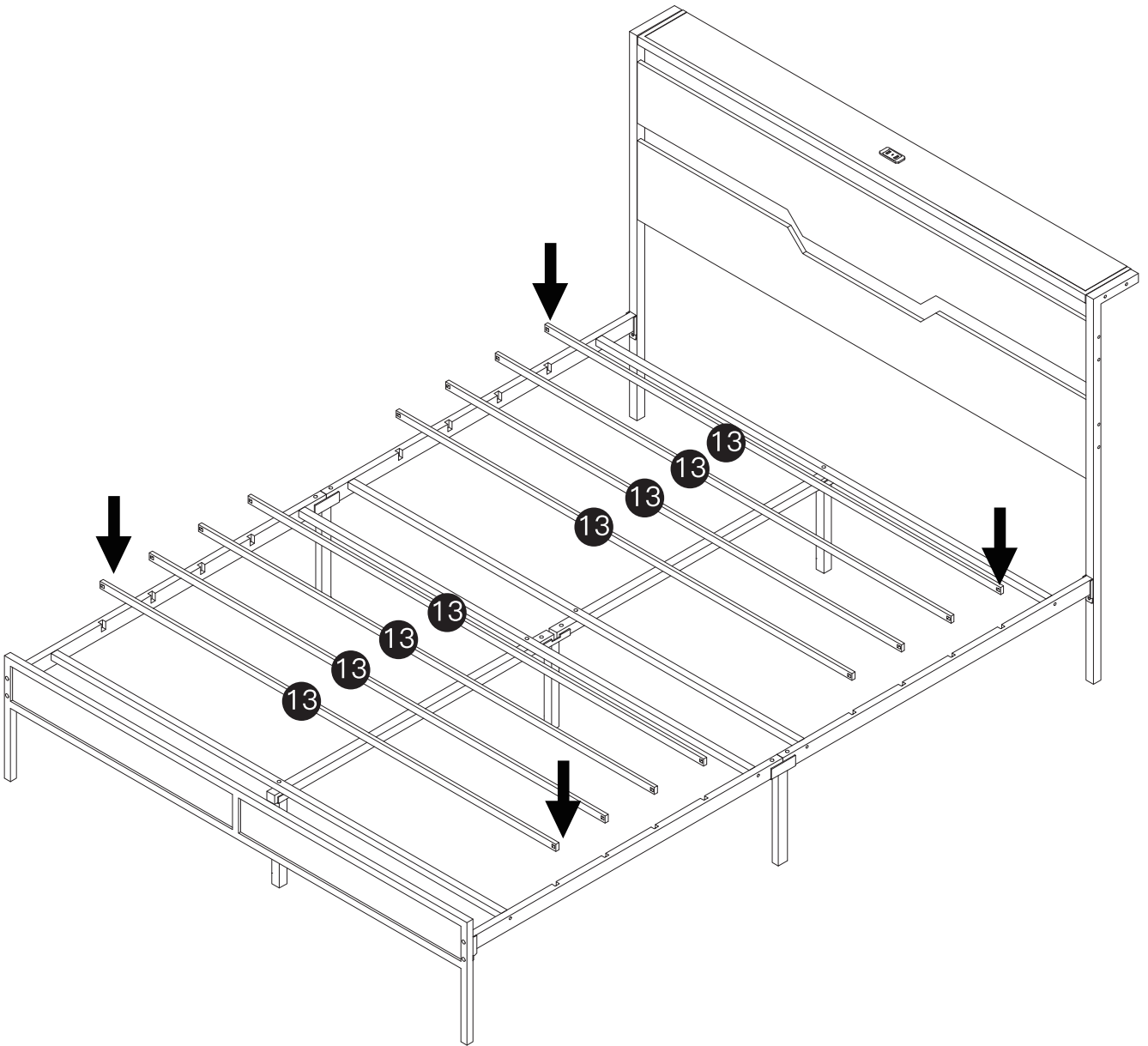
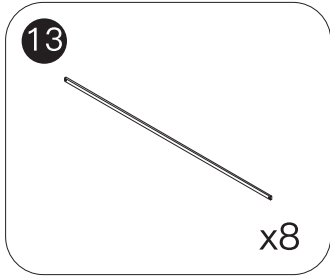
## NOTICE:

Please make sure the holes in part 12 are facing upwards.

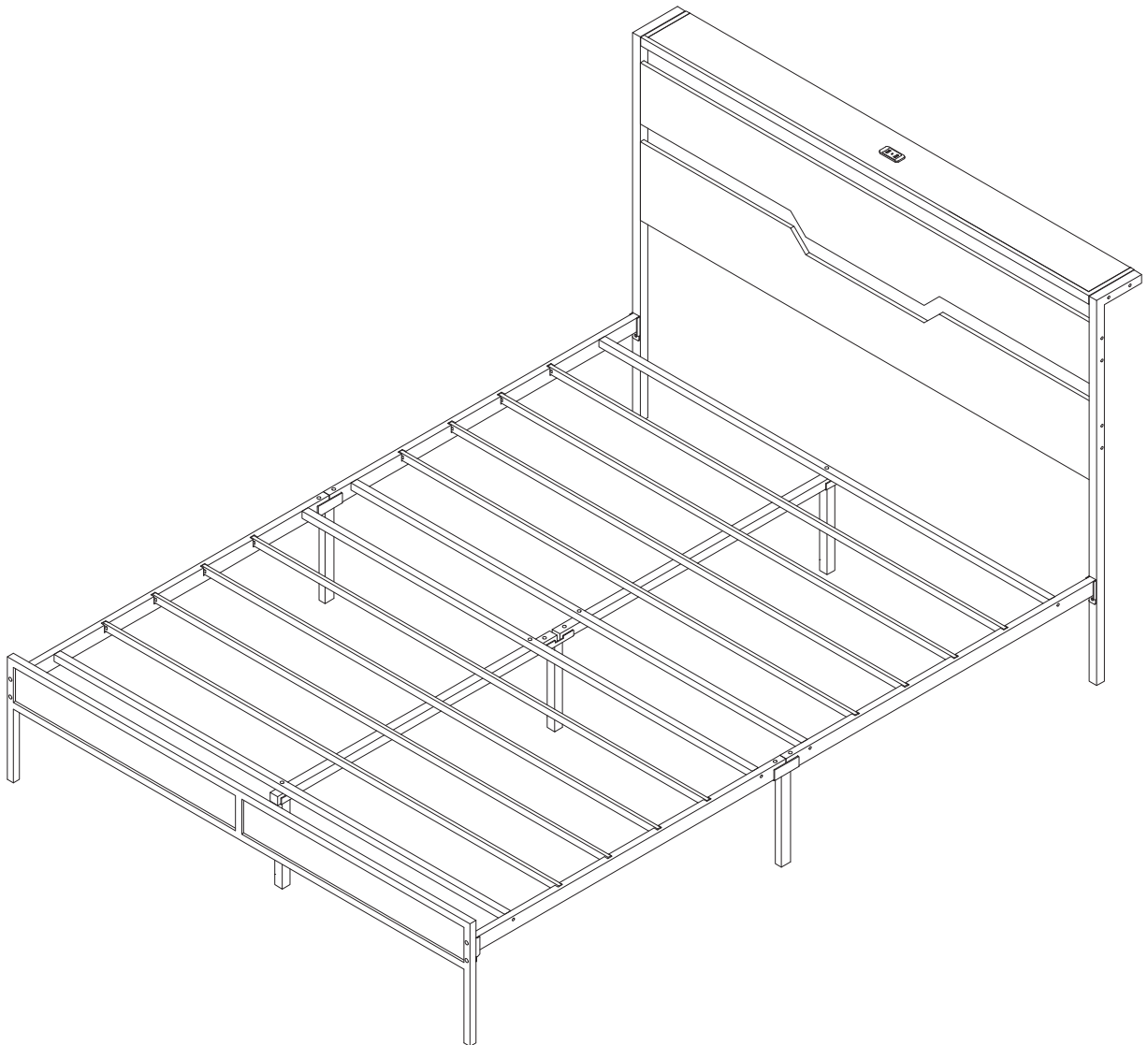
# STEP 11



# STEP 12



# STEP 13



## After-Sale Support

**Dear Customer,**

Thank you for choosing to purchase our products! We attach great importance to your shopping experience and hope to ensure that you are satisfied with this purchase.

Should you have any questions, please contact us through the original purchase platform. We will reply your messages as soon as possible, please kindly wait for the response from our team.

Thank you again for your understanding and support! If you have any other questions, please feel free to contact us at any time.

Best Regards,  
After sales service team