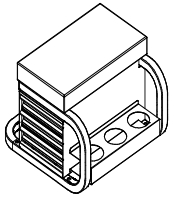
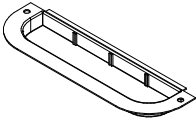
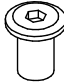

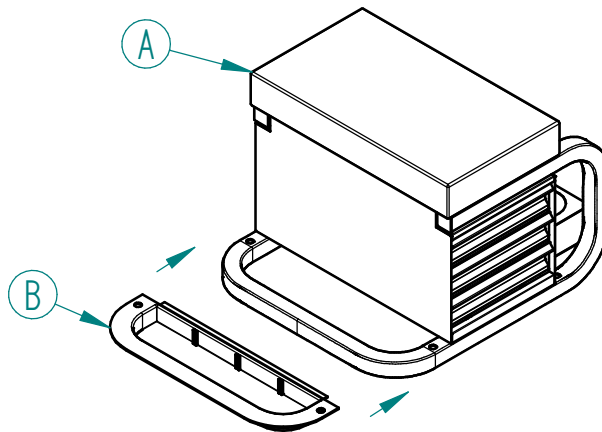


Assembly Instruction

PARTS LIST :

PD2016A	A	Box	B	Tray	C	M8 - Nut	D	3"wheel
								
Number	1		1		4		4	

step 1:



step 2:

