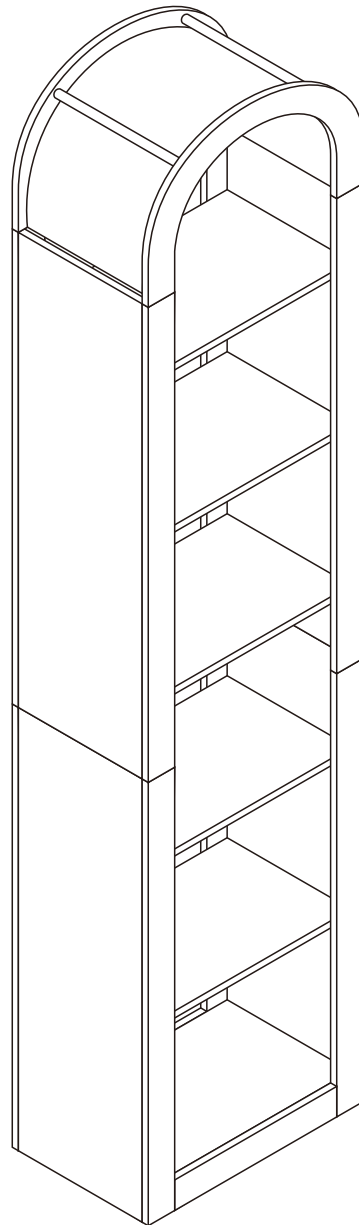


# Assembly Instructions



---

**Shelf**

Model No.

**HOGA-YT0012/YT0033/**

YT0081

---

# Contact Us

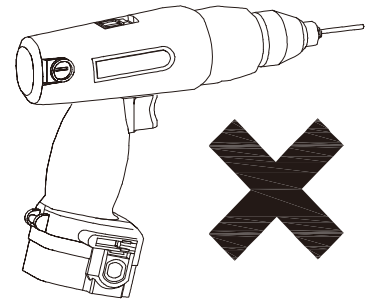
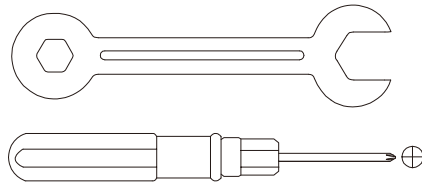
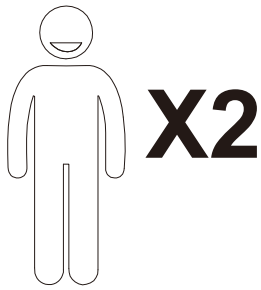
## We're here to help you.



Your satisfaction is our top priority. If you encounter any issues with this product, such as missing or damaged parts, we're here to help. Please retain the original packaging and take photos of the packaging and the product, then contact us as soon as possible.

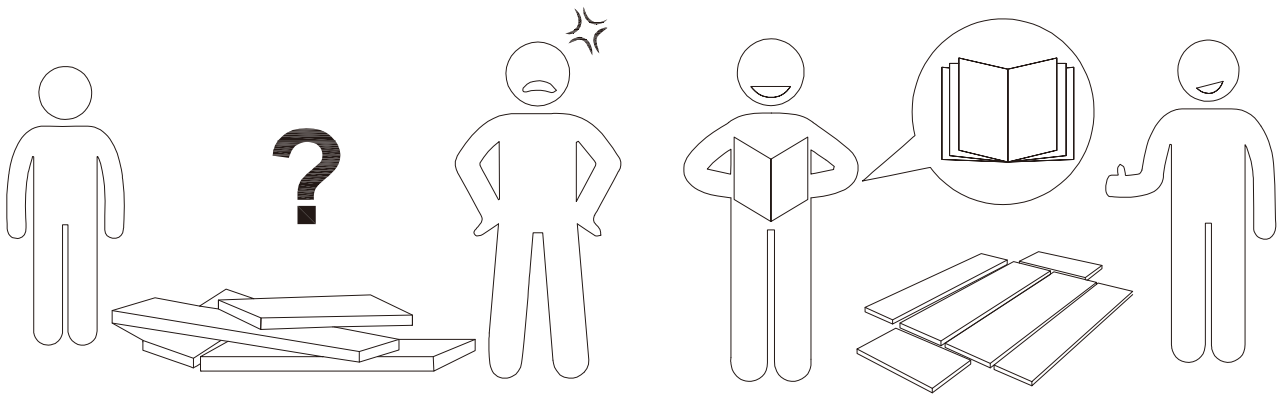
### Warm Tips

1. Carefully read these instructions and keep them for future reference.
2. Check the parts list and confirm everything's there before starting assembly.
3. When assembling, put all parts on a soft, smooth surface like a carpet to avoid scratches.
4. Don't fully tighten screws until all parts are confirmed in place to avoid misalignment.



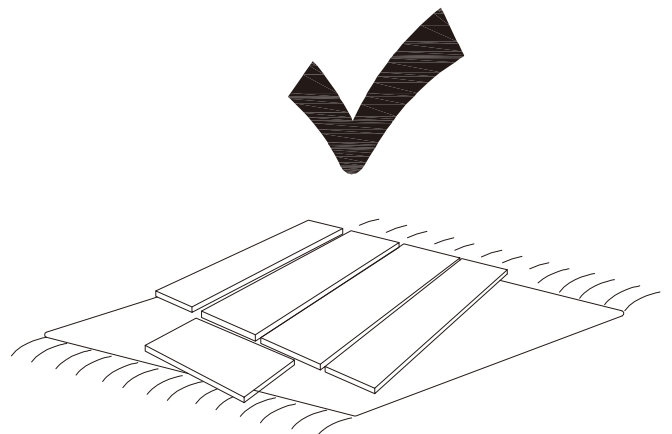
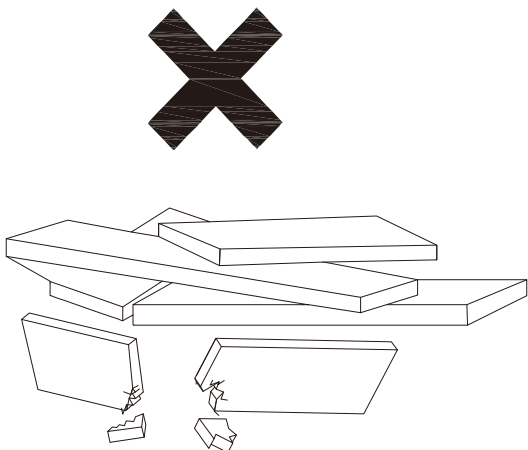
We recommend using hand tools for assembly.

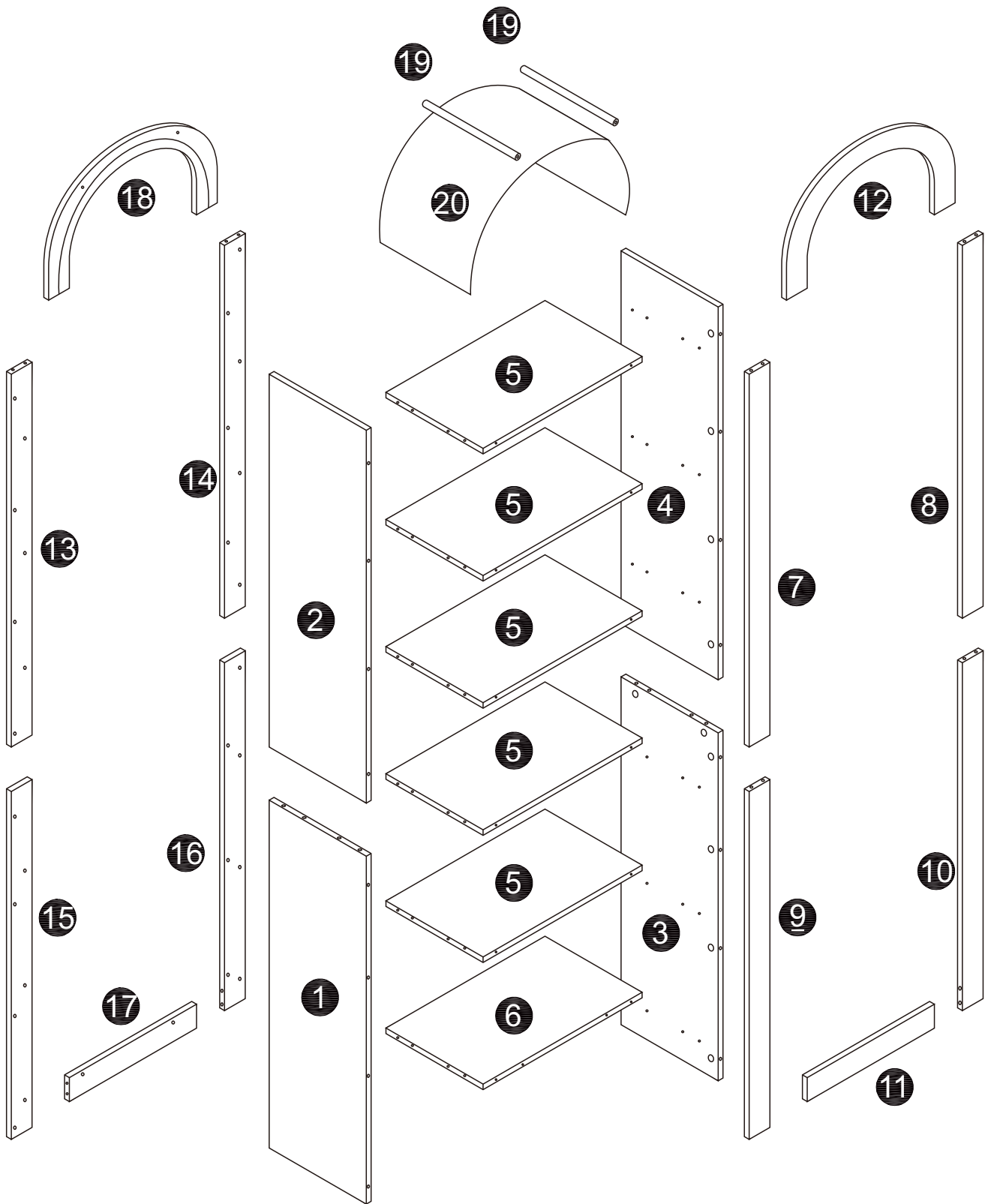
If an electric screwdriver is used, reduce power and torque to avoid damage to the product.



## AVOID SCRATCHES

In order to avoid scratching, this furniture should be assembled on a soft surface, such as a rug.

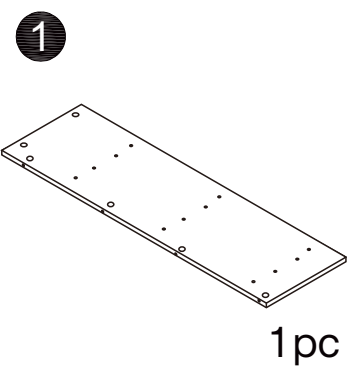
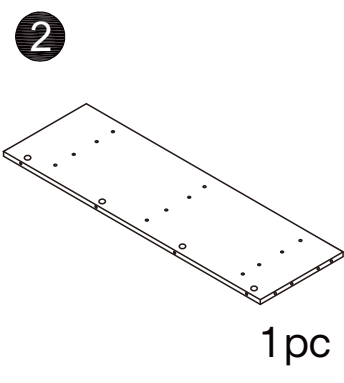
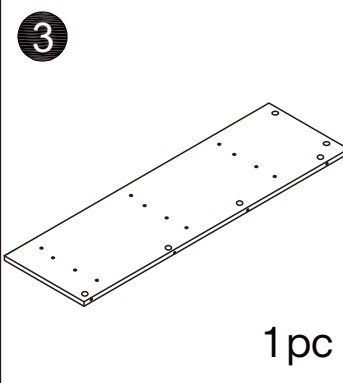
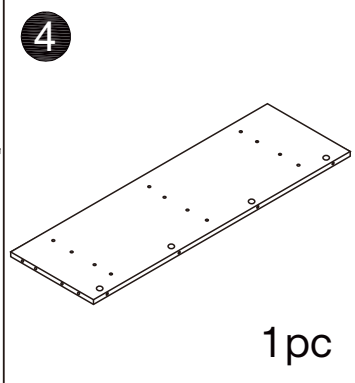
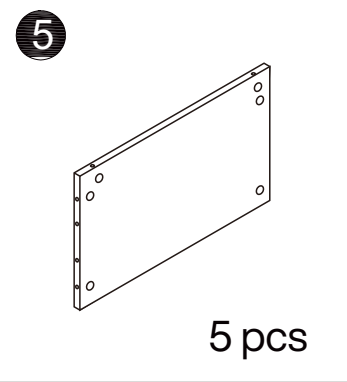
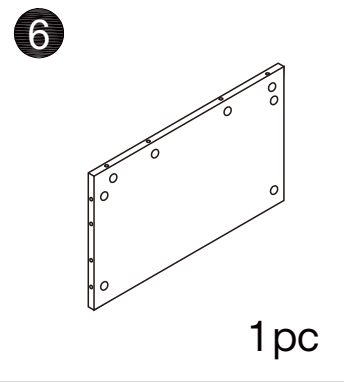
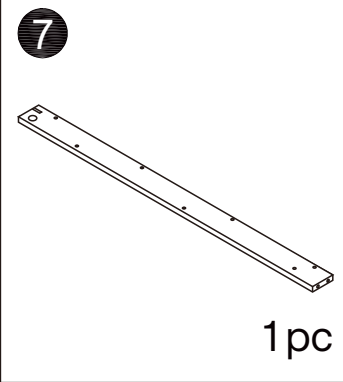
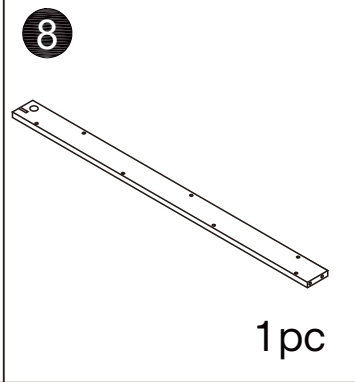
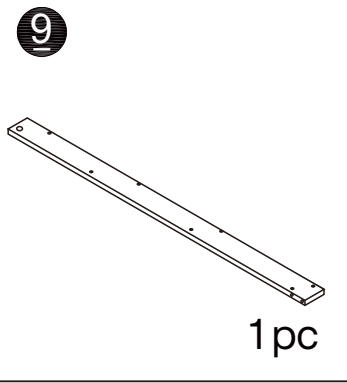
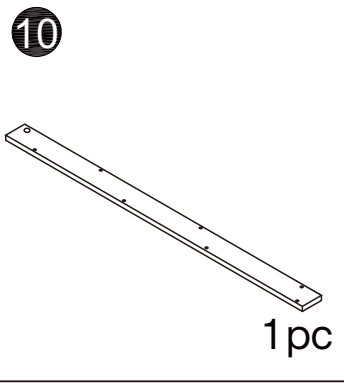
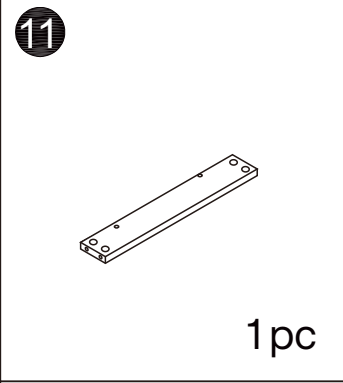
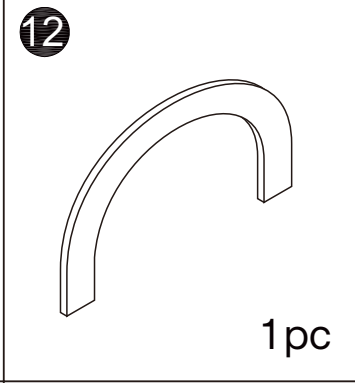
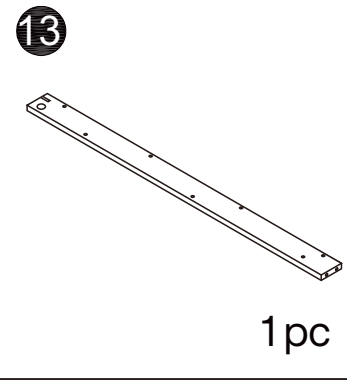
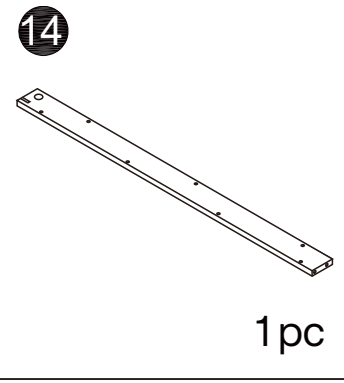
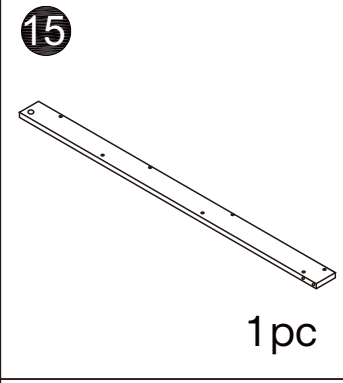
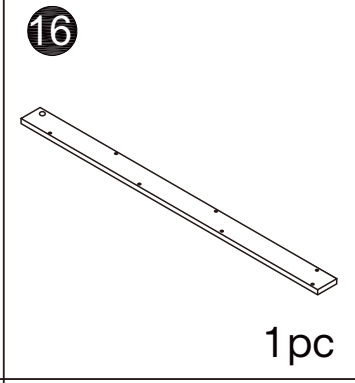
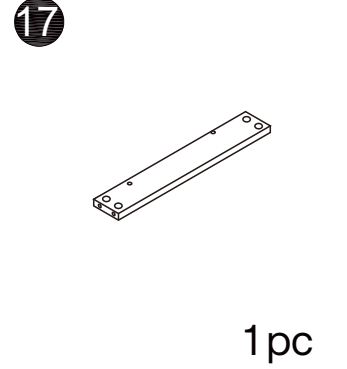
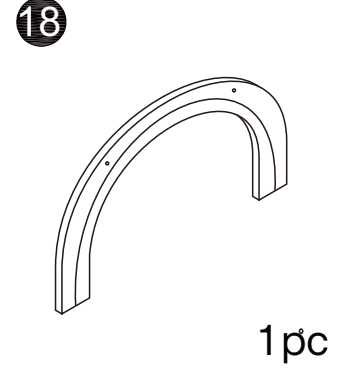
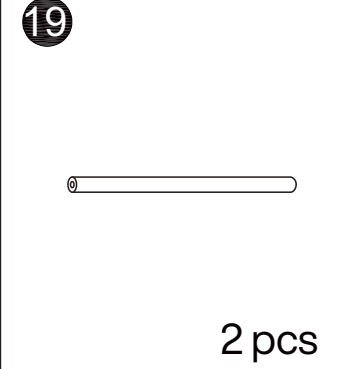
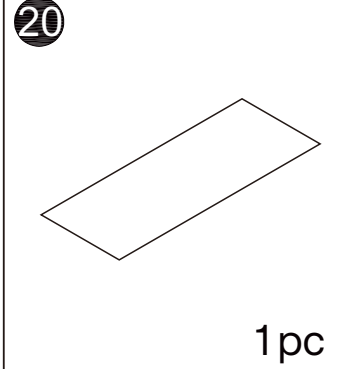












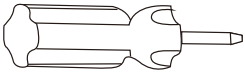

**⚠ Caution**

Make sure all parts are included. Most board parts are labeled or stamped on the raw edge. Contact us for a free replacement if you encounter any damaged or missing parts.

# Parts List

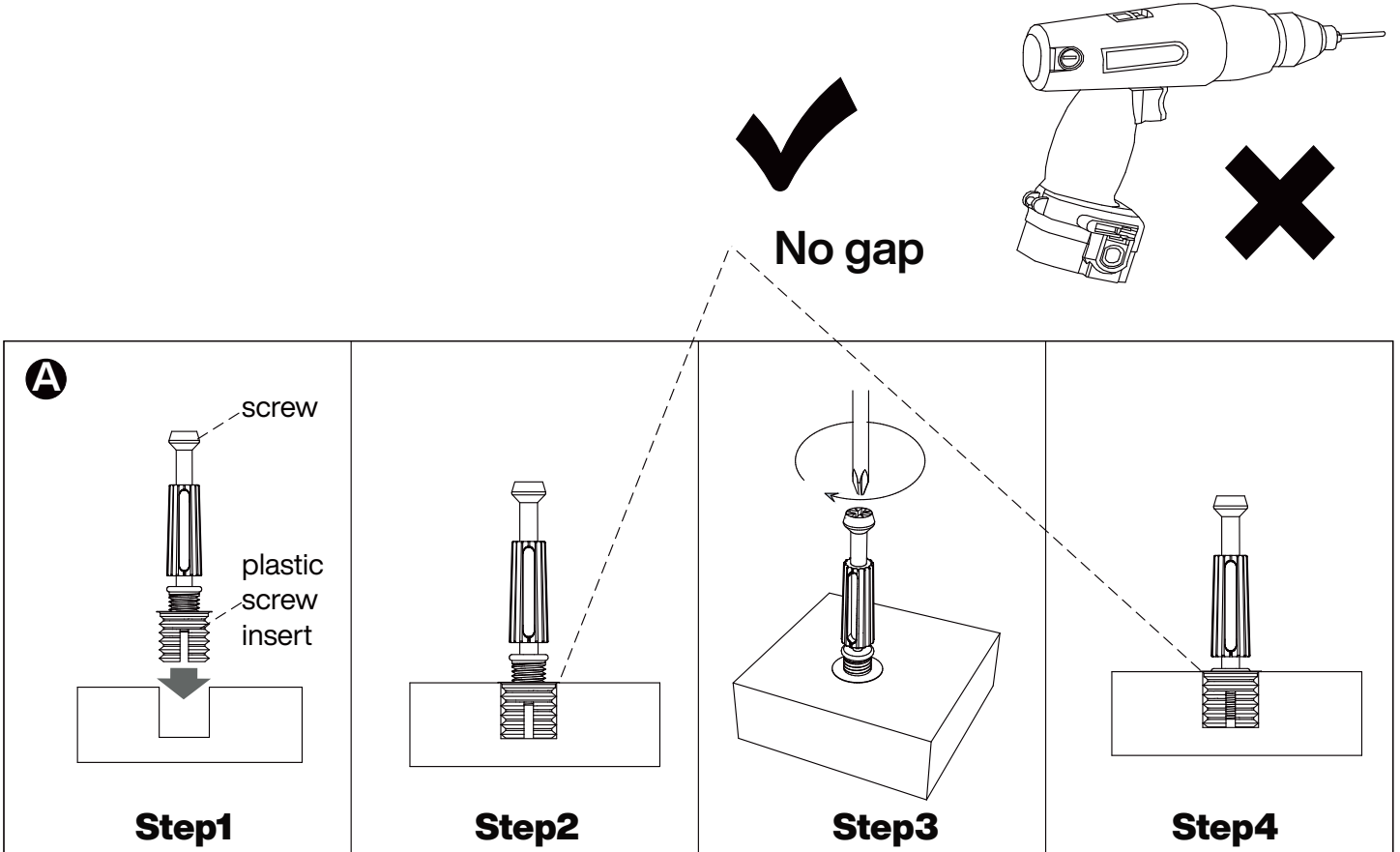
 <p>1</p> <p>1pc</p>	 <p>2</p> <p>1pc</p>	 <p>3</p> <p>1pc</p>	 <p>4</p> <p>1pc</p>
 <p>5</p> <p>5 pcs</p>	 <p>6</p> <p>1pc</p>	 <p>7</p> <p>1pc</p>	 <p>8</p> <p>1pc</p>
 <p>9</p> <p>1pc</p>	 <p>10</p> <p>1pc</p>	 <p>11</p> <p>1pc</p>	 <p>12</p> <p>1pc</p>
 <p>13</p> <p>1pc</p>	 <p>14</p> <p>1pc</p>	 <p>15</p> <p>1pc</p>	 <p>16</p> <p>1pc</p>
 <p>17</p> <p>1pc</p>	 <p>18</p> <p>1pc</p>	 <p>19</p> <p>2 pcs</p>	 <p>20</p> <p>1pc</p>

## Hardware List

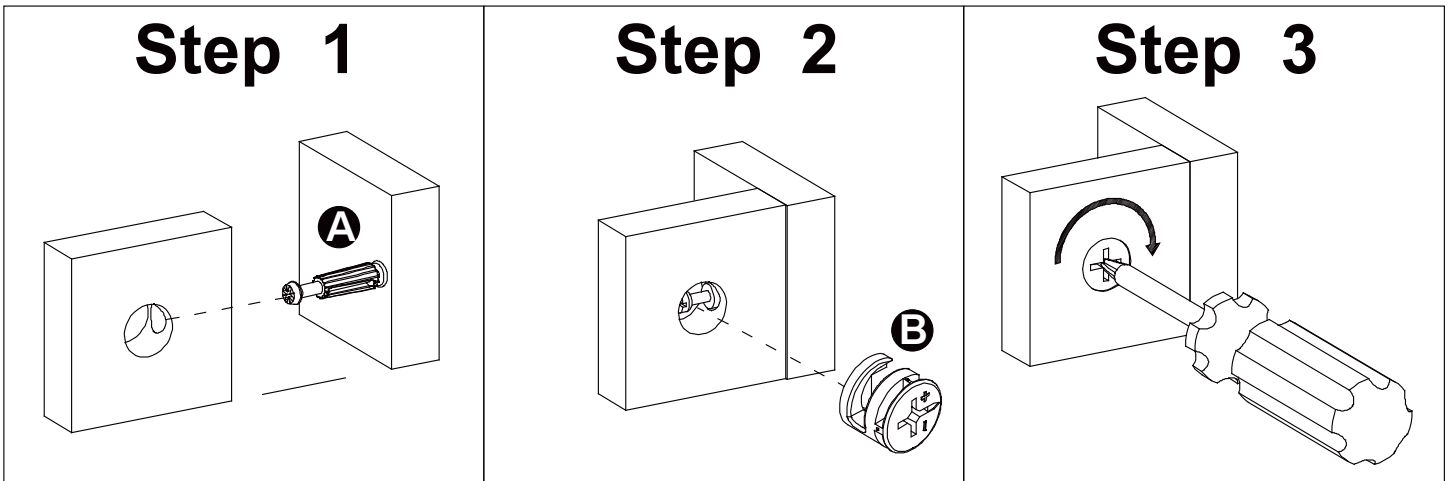
A	B	C	D
 M6x40mm 66 pcs	 Ø15x11mm 74 pcs	 Ø8x40mm 36 pcs	 ST7x40mm 30 pcs
E	F	G	H
 M5x40mm 2 pcs	 M5x20mm 2 pcs	 20 pcs	 1 pc
J	K		
 1 pc	 M6x40mm 8 pcs		

# Installation of Cams and Pins


Step 1-2: Align the plastic part with the mounting hole and press it in. If you can't press it in, loosen the screw counter clockwise or completely remove the screw from the plastic part and try again.  
Step 3-4: After pressing the plastic part into place, use a screwdriver to tighten the screw clockwise.

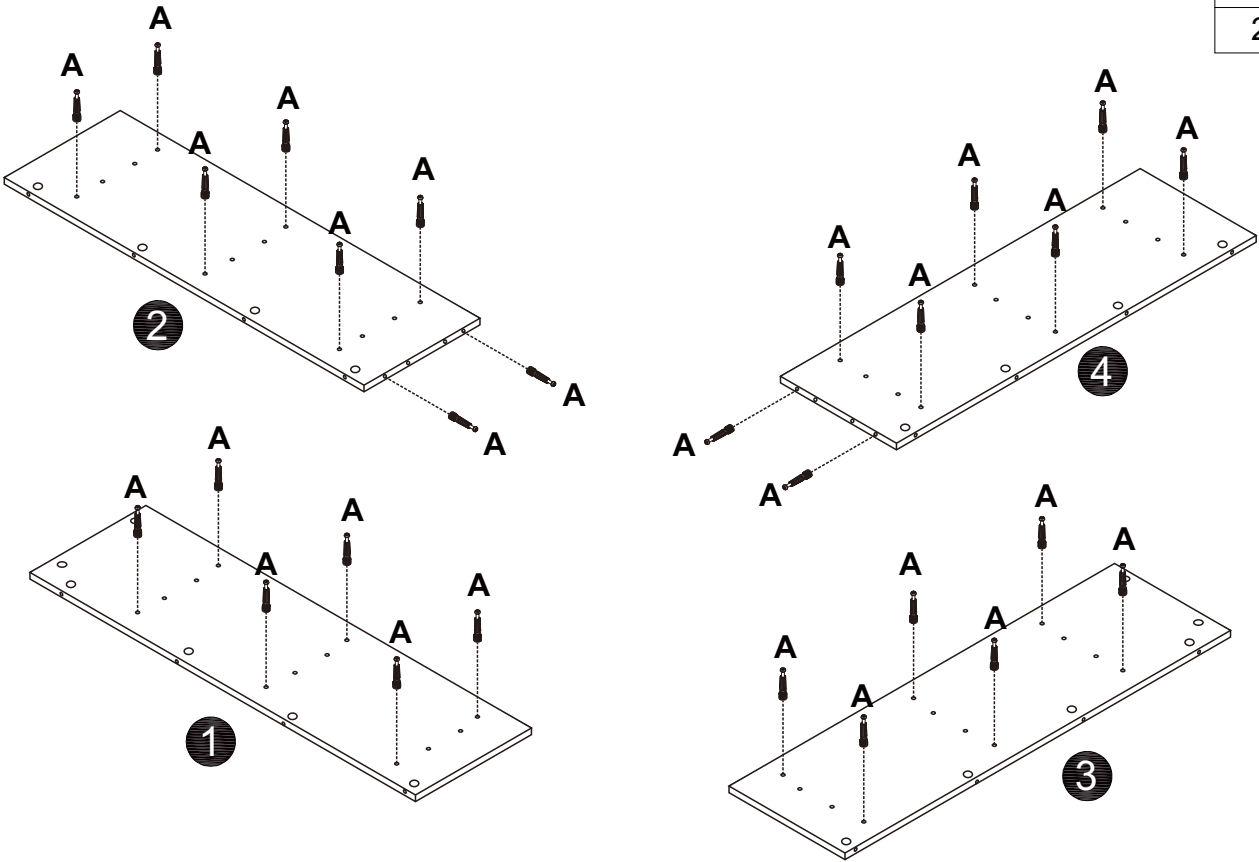


Screw the pin into the hole. Set the cams correctly by aligning the head of the cams with the lock pins. Lock the cam by turning the cam head with a screwdriver until it is tightened. Please do not use an electric screwdriver to assemble the unit.





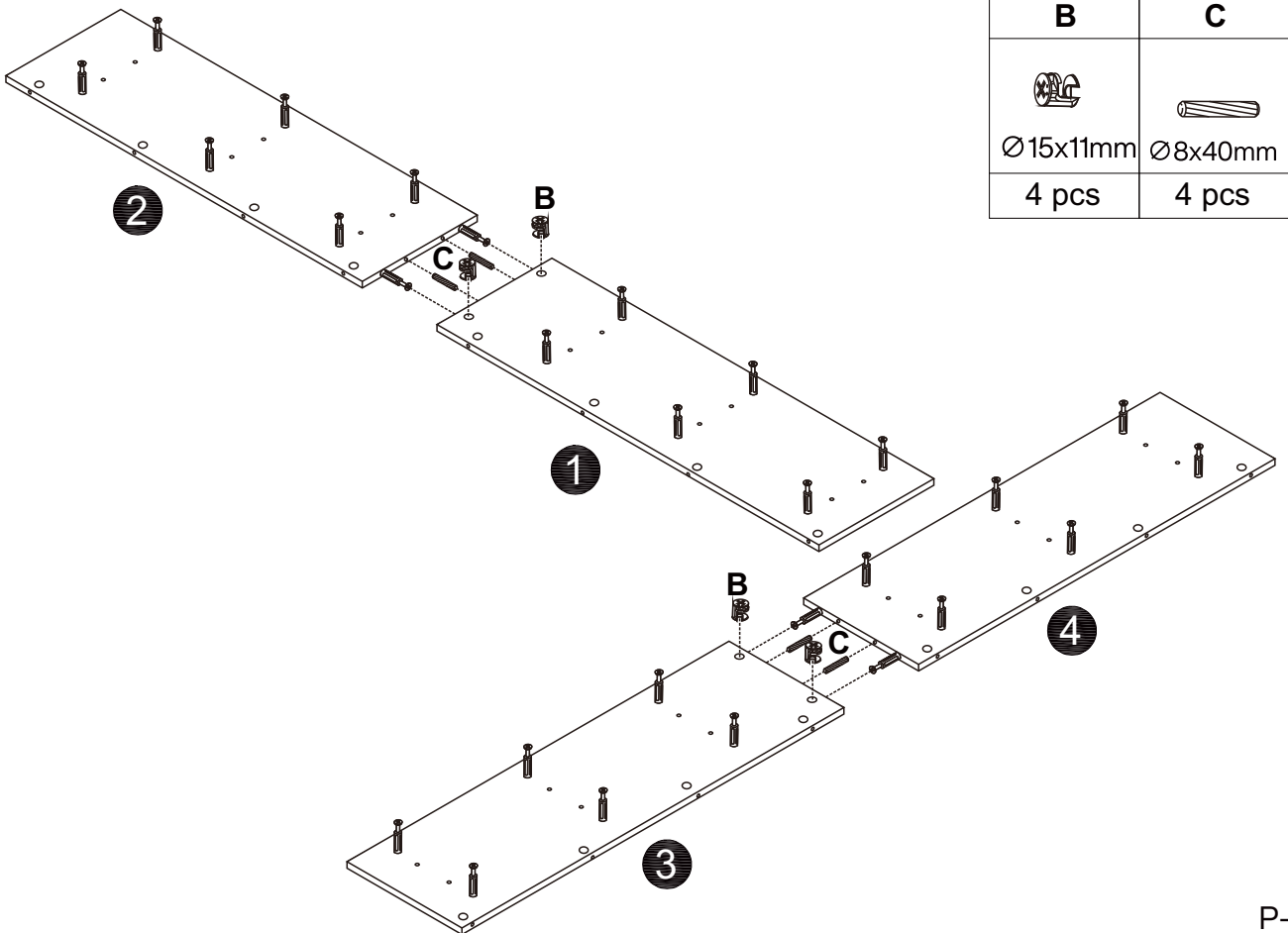
1

<b>A</b>

M6x40mm
28 pcs





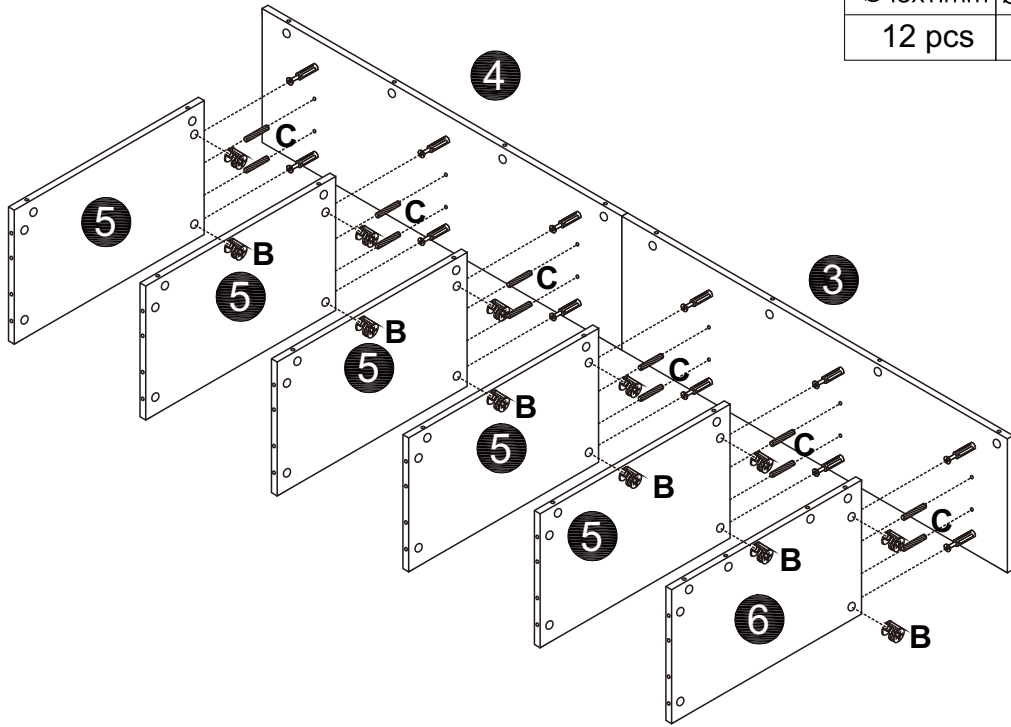
2

<b>B</b>	<b>C</b>
	
Ø15x11mm	Ø8x40mm
4 pcs	4 pcs





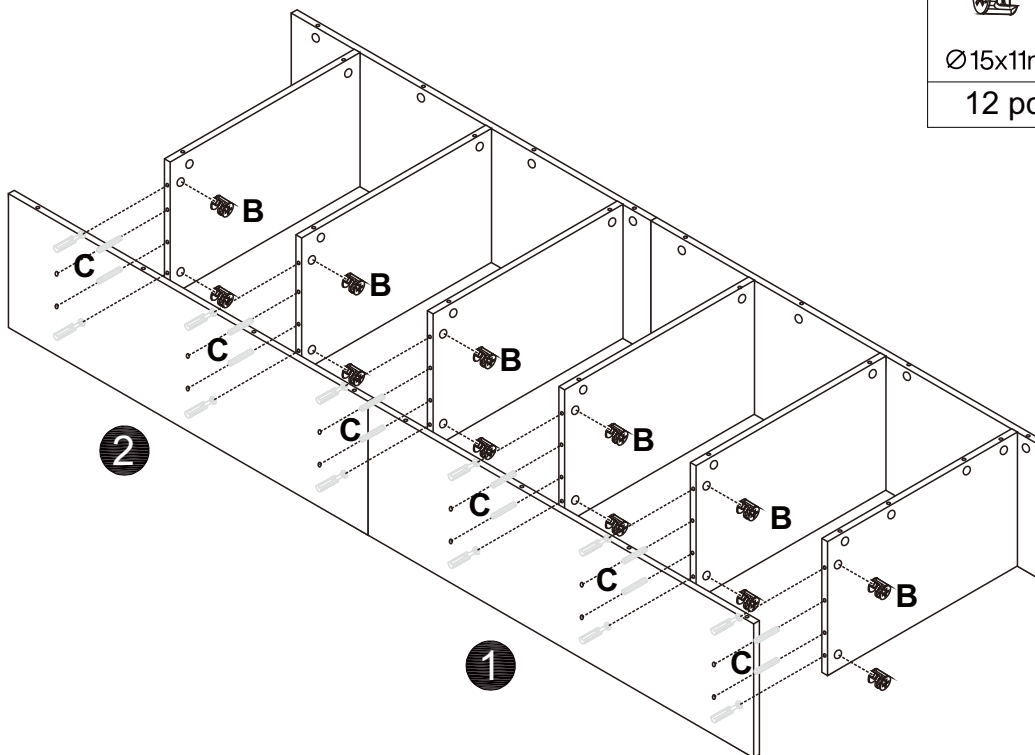
3

B	C
	
Ø15x11mm	Ø8x40mm
12 pcs	12 pcs

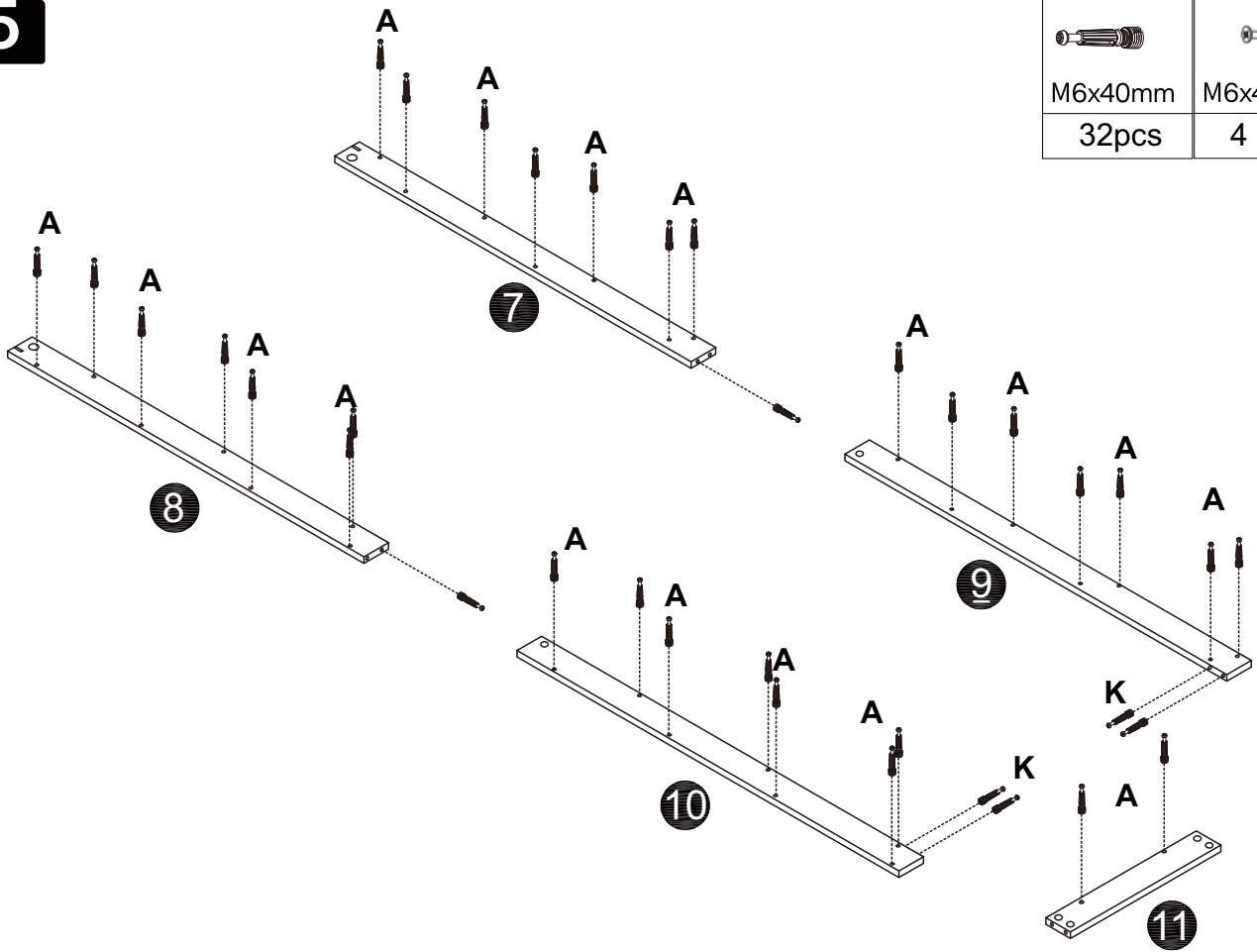




4

B	C
	
Ø15x11mm	Ø8x40mm
12 pcs	12 pcs

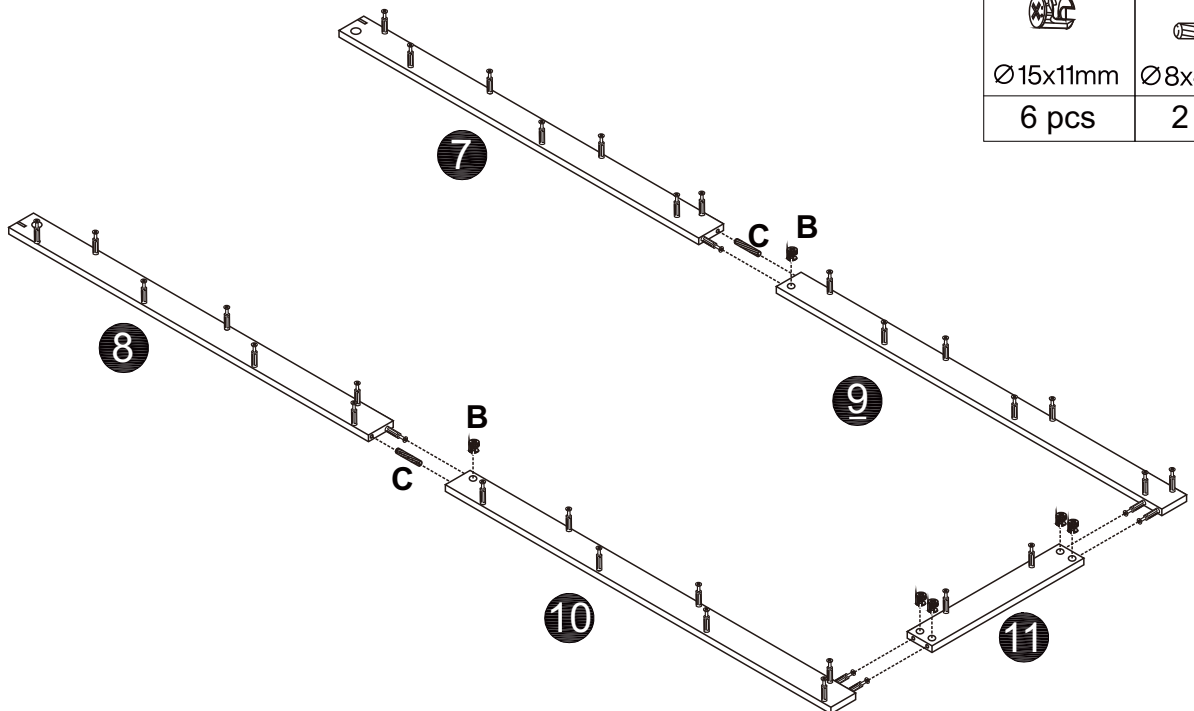




5



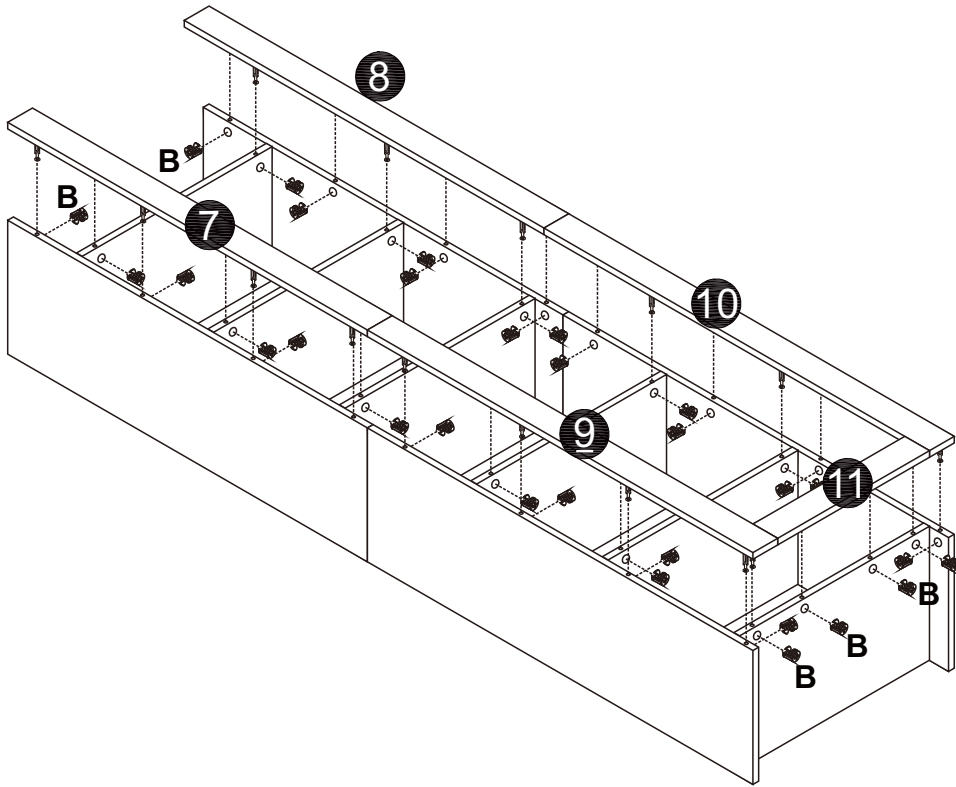
A	K
	
M6x40mm	M6x40mm
32 pcs	4 pcs


6



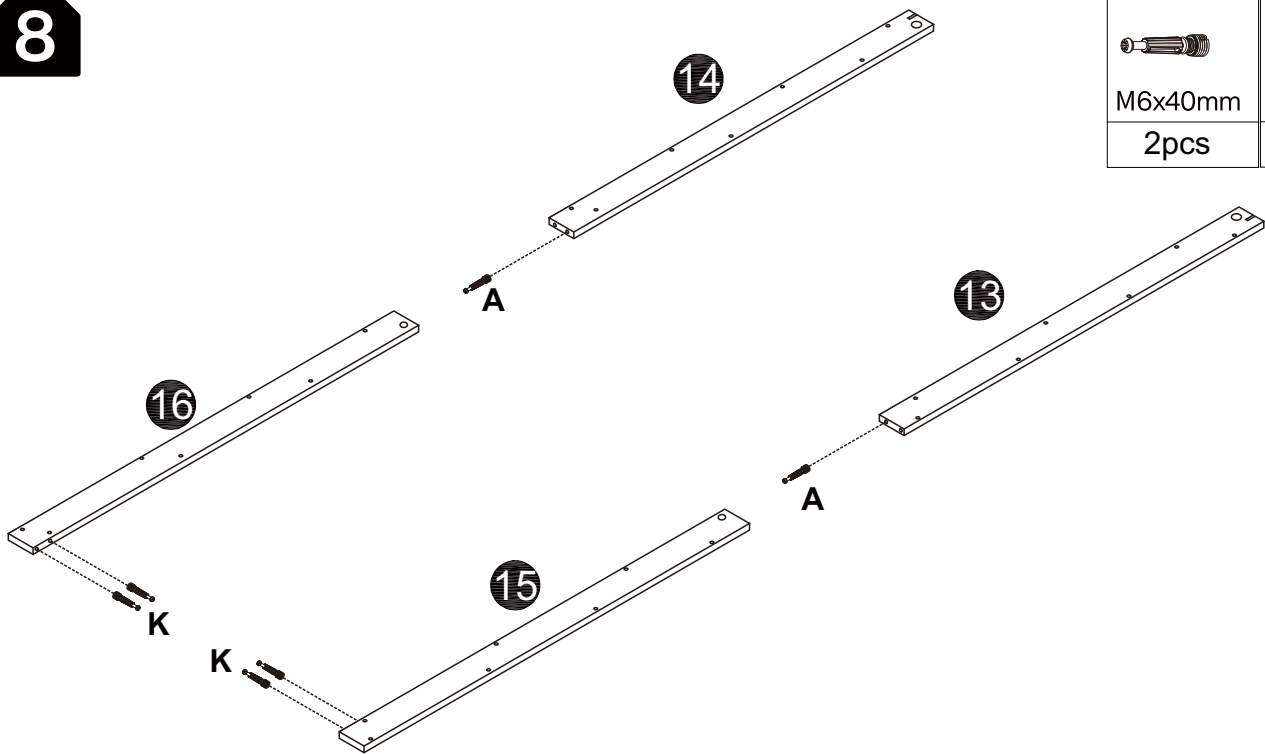
B	C
	
Ø15x11mm	Ø8x40mm
6 pcs	2 pcs



7





<b>B</b>

Ø15x11mm
30 pcs

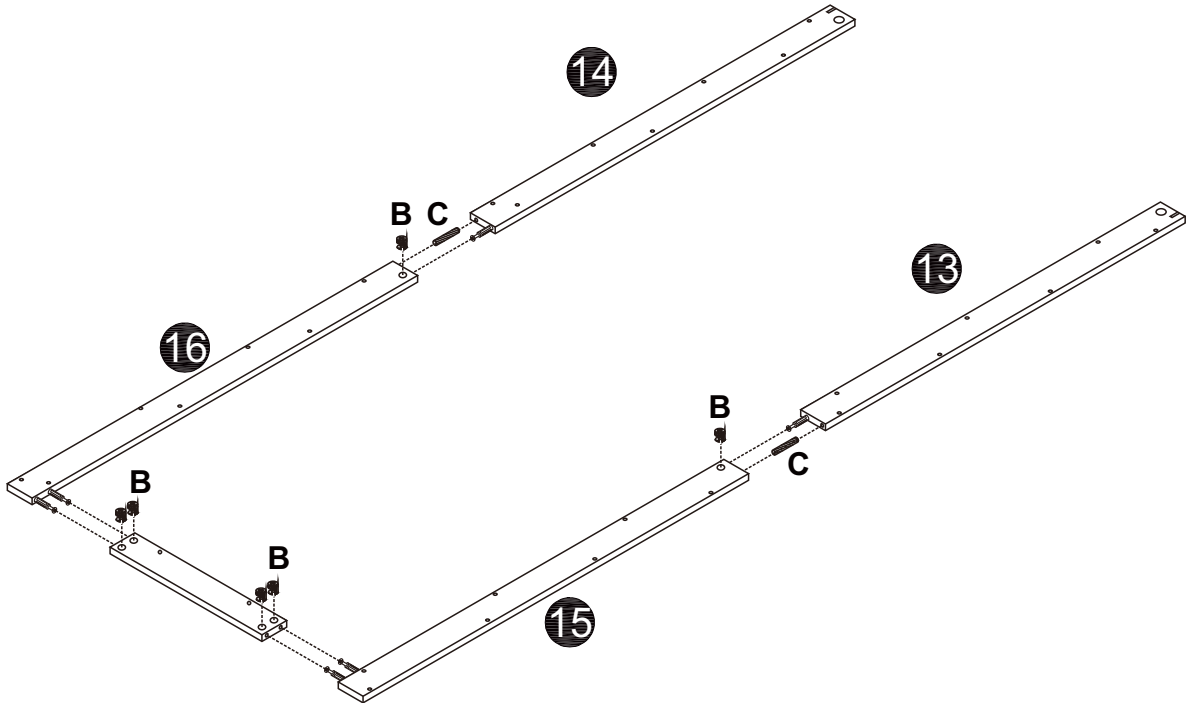
8




<b>A</b>	<b>K</b>
	
M6x40mm	M6x40mm
2pcs	4 pcs

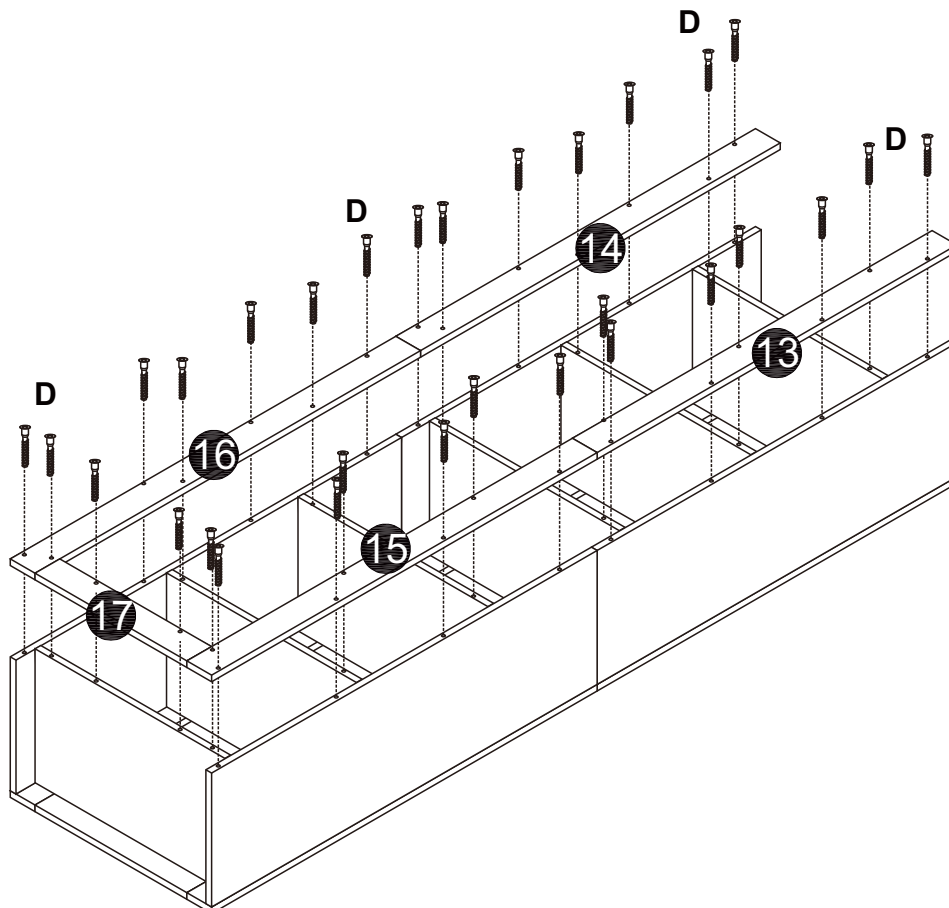
9

B	C
	
Ø15x11mm	Ø8x40mm
6 pcs	2 pcs


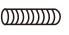


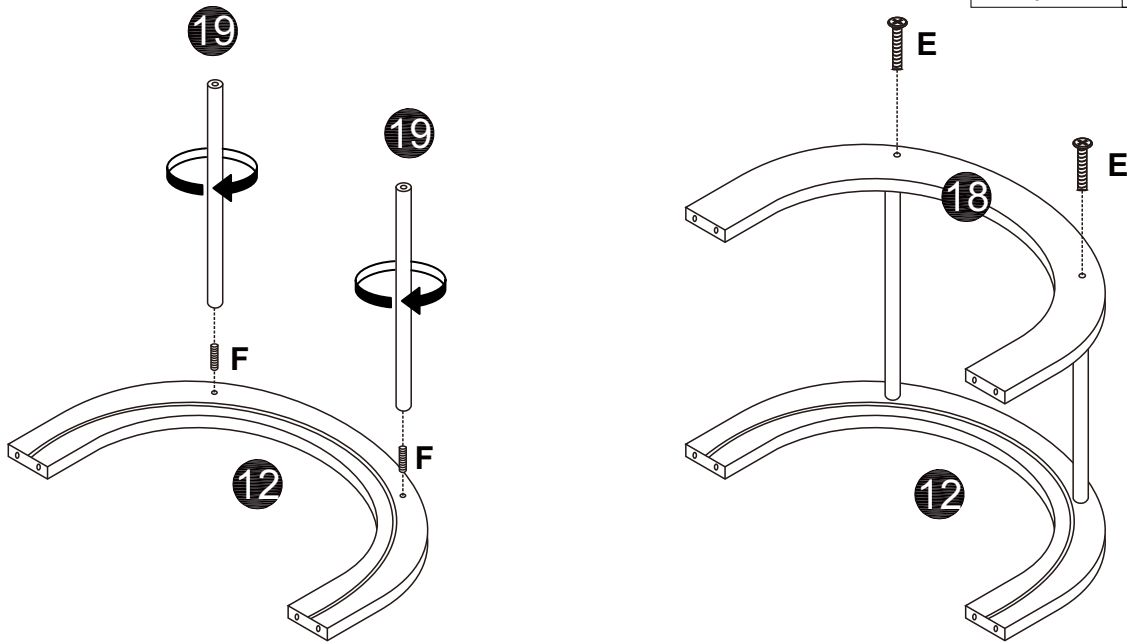
10

D

ST7x40mm
30 pcs

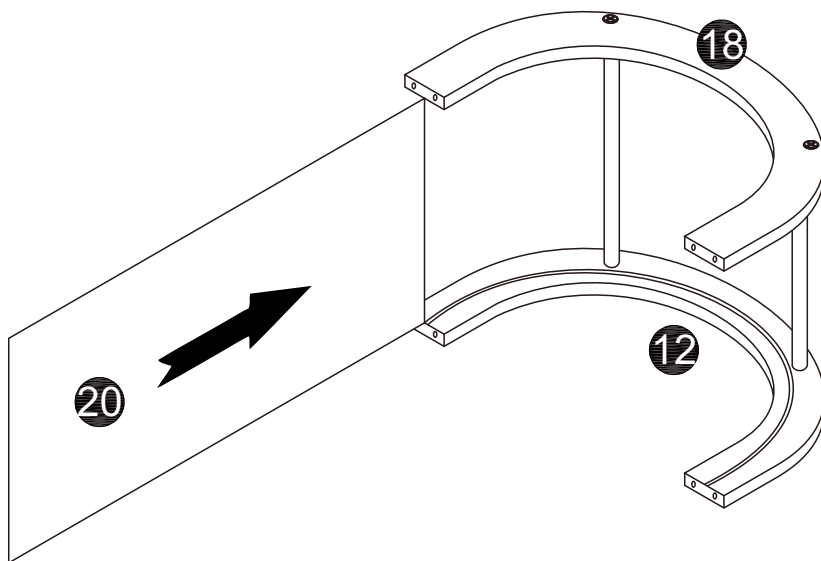


11

E	F
	
M5x40mm	M5x20mm
2 pcs	2 pcs




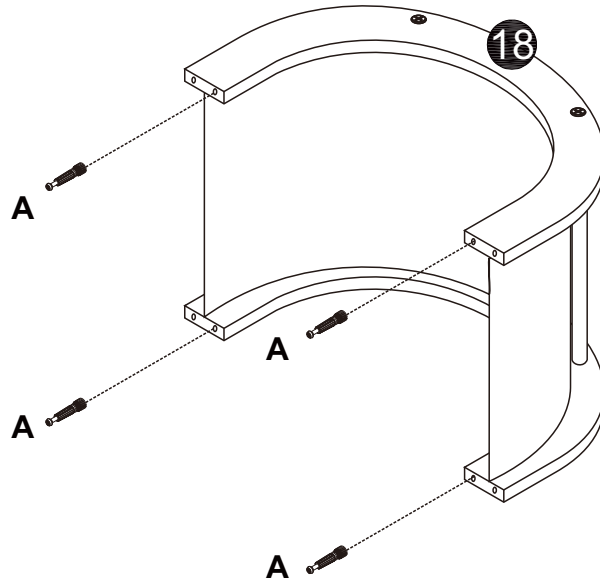
12



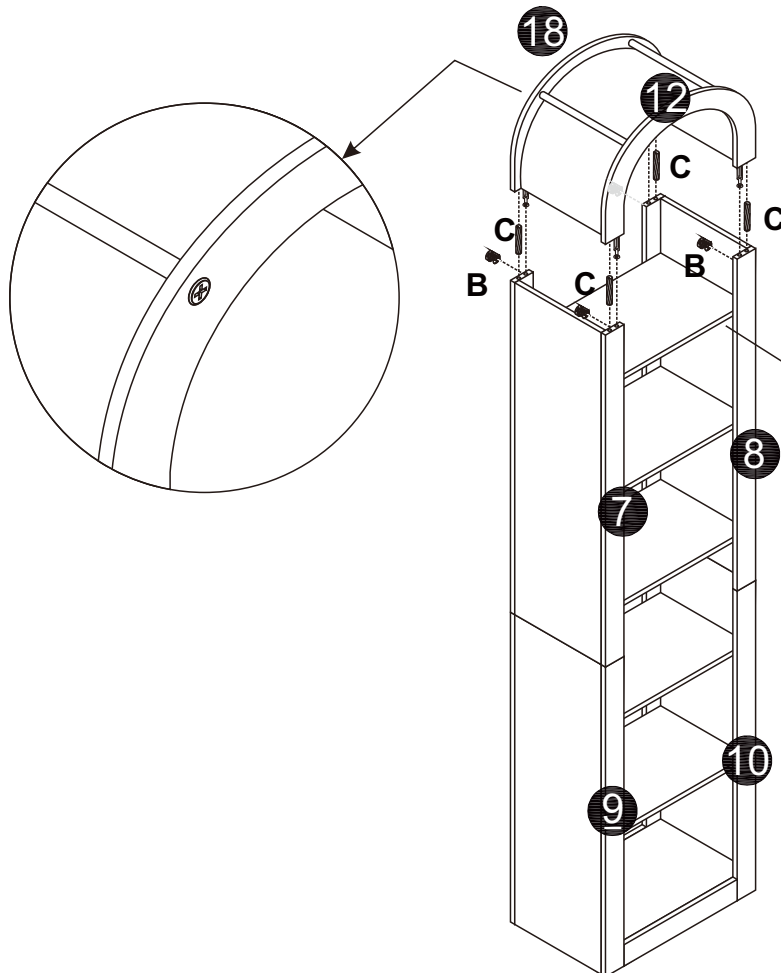
Gently bend #20 and install it along the guide slots of #12 and #18.




13

<b>A</b>

M6x40mm
4 pcs



14



<b>B</b>	<b>C</b>
	
Ø15x11mm	Ø8x40mm
4 pcs	4 pcs
<b>G</b>	
	
20 pcs	

# 15



Plastic anchor  
M4x30

x1



Ø4x30

x1



Ø4x14

x1

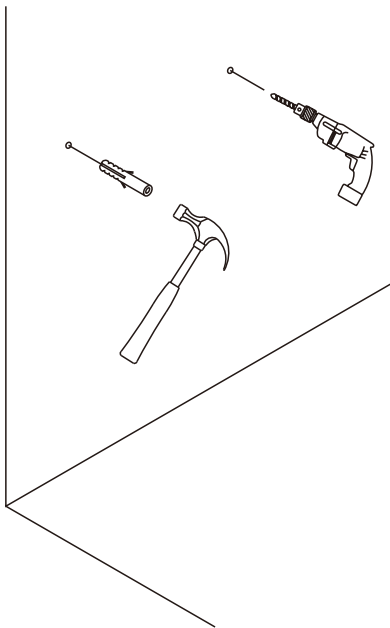


x2

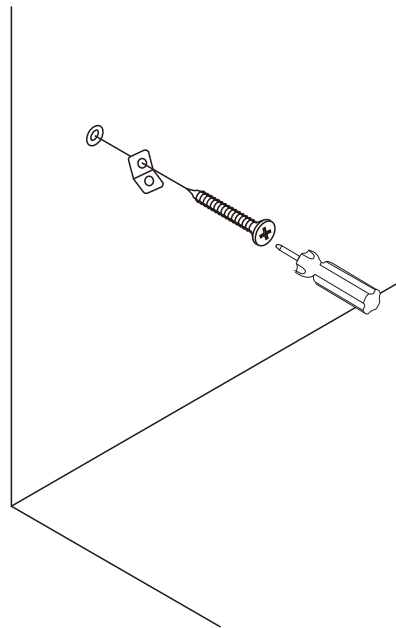


x1

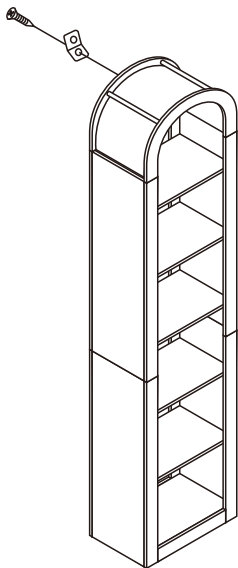
## Step 1



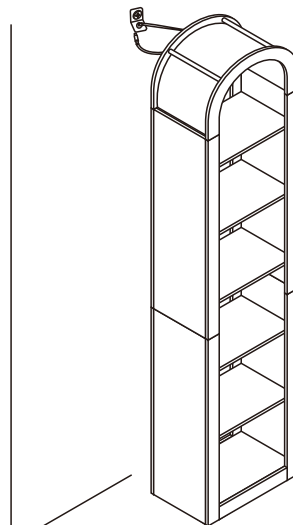
## Step 2



## Step 3



## Step 4



**Thank you for your support!**

