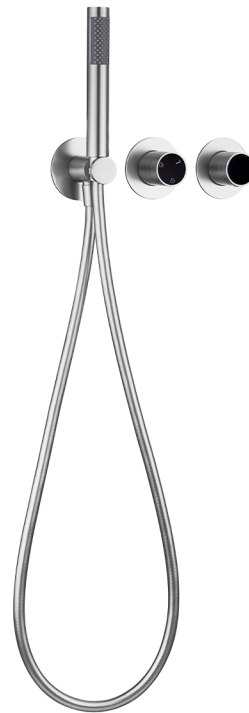
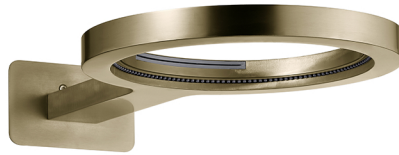
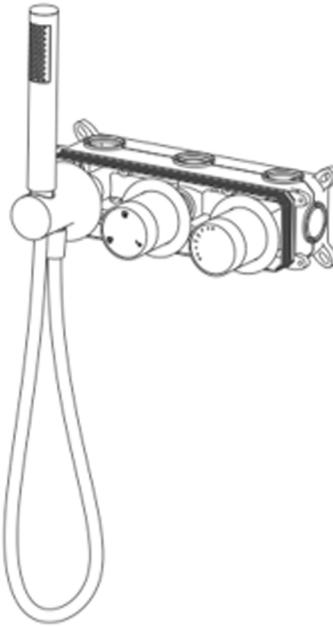
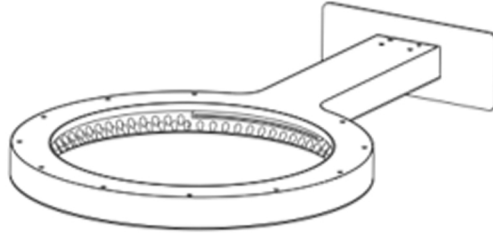


User's Manual



**Please Do Not Return the Product to the Store.
Contact us with any questions.**

Installation Manual



IAPMO RESEARCH AND TESTING, INC.
5001 East Philadelphia Street, Ontario, California 91761-2816 - USA - 909-472-4100 - 909-472-4244 - www.iapmort.org

ANSI **IAPMO R&T** **ICC ECR**

UPC **CERTIFICATE OF LISTING**

IAPMO Research and Testing, Inc. is a product certification body which tests and inspects samples taken from the supplier's stock or from the market or a combination of both to verify compliance to the requirements of applicable codes and standards. This activity is coupled with periodic surveillance of the supplier's factory and warehouses as well as the assessment of the supplier's Quality Assurance System. This listing is subject to the conditions set forth in the manufacturer's listing and shall not be construed as any representation, assurance or guarantee by IAPMO Research and Testing, Inc. of the product's compliance with applicable codes and standards or its fitness for use in any application. This listing is not evidence of current listing. To verify listing status, visit the IAPMO R&T Product Listing Directory at pld.iapmo.org

Effective Date: December 2019 -Rev. 2/24/2020- **Void After:** December 2024
Product: Flexible Water Connectors **File No.:** 5311

Issued To: Fanaki Group Inc.
Mechanical & Electrical
Industrial Zone,
Yuhuan County,
Yuhuan 317600, ZHEJIANG
China

Identification: Products shall be marked with manufacturer's name or trademark, a statement "For use with water in accessible locations only." The products shall also bear the UPC® certification mark. Markings shall be by means of either a permanent mark on the product, a label on the product or a tag attached to the product.

Characteristics: Flexible water connectors manufactured in various sizes, lengths and metal end fittings for hot or cold water applications that consist of an inner tube, which may or may not have an outer braided cover. Connectors are to be installed for use in accessible locations only. To be installed in accordance with the manufacturer's instruction, and the latest edition of the Uniform Plumbing Code and National Plumbing Code of Canada.

Products listed on this certificate have been tested by an IAPMO R&T recognized laboratory. This recognition has been granted based upon the

Twin Collins *Ran Chany*
Chairman, Product Certification Committee CEO, The IAPMO Group

This listing period is based upon the last date of the month indicated on the Effective Date and Void After Date shown above. Any change in material manufacturing process, marking or design without having first obtained the approval of the Product Certification Committee, or any evidence of non-compliance with applicable codes and standards or of inferior workmanship, may be deemed sufficient cause for revocation of this listing. Production of or reference to this listing for advertising purposes may be made only by specific written permission of IAPMO Research and Testing, Inc. Any alteration of this certificate could be grounds for revocation of the listing. This document shall be reproduced in its entirety.

IAPMO RESEARCH AND TESTING, INC.
5001 East Philadelphia Street, Ontario, California 91761-2816 - USA - 909-472-4100 - 909-472-4244 - www.iapmort.org

ANSI **IAPMO R&T** **ICC ECR**

UPC **CERTIFICATE OF LISTING**

IAPMO Research and Testing, Inc. is a product certification body which tests and inspects samples taken from the supplier's stock or from the market or a combination of both to verify compliance to the requirements of applicable codes and standards. This activity is coupled with periodic surveillance of the supplier's factory and warehouses as well as the assessment of the supplier's Quality Assurance System. This listing is subject to the conditions set forth in the manufacturer's listing and shall not be construed as any representation, assurance or guarantee by IAPMO Research and Testing, Inc. of the product's compliance with applicable codes and standards or its fitness for use in any application. This listing is not evidence of current listing. To verify listing status, visit the IAPMO R&T Product Listing Directory at pld.iapmo.org

Effective Date: November 2019 **Void After:** November 2024
Product: Plumbing Fixture Fittings **File No.:** 10633

Issued To: Aqua Gallery Co., Ltd
11th-15th AIO Block
International Ceramic
Sanitary City, 528000
Foshan,
China

Identification: Plumbing supply fittings complying with this Standard shall be marked with the manufacturer's recognized name, trademark, or other mark or, in the case of private labeling, the name, trademark or other mark of the customer for whom the fitting was manufactured. The marking shall be accomplished by use of a permanent mark or by placing a permanent label on the product. Markings on plumbing supply fittings shall be visible after installation.

Single-handle, single-control, and automatic compensating mixing bath and shower valves shall have identifiable temperature control settings in which the settings are indicated by words ("cold", "warm", "hot", etc.), by numbers, or graphically.

Products shall be marked with the manufacturer's name, trademark, or other mark as well as the model number or, in the case of private

Twin Collins *Ran Chany*
Chairman, Product Certification Committee CEO, The IAPMO Group

This listing period is based upon the last date of the month indicated on the Effective Date and Void After Date shown above. Any change in material manufacturing process, marking or design without having first obtained the approval of the Product Certification Committee, or any evidence of non-compliance with applicable codes and standards or of inferior workmanship, may be deemed sufficient cause for revocation of this listing. Production of or reference to this listing for advertising purposes may be made only by specific written permission of IAPMO Research and Testing, Inc. Any alteration of this certificate could be grounds for revocation of the listing. This document shall be reproduced in its entirety.

IAPMO RESEARCH AND TESTING, INC.
5001 East Philadelphia Street, Ontario, California 91761-2816 - USA - 909-472-4100 - 909-472-4244 - www.iapmort.org

ANSI **IAPMO R&T** **ICC ECR**

UPC **CERTIFICATE OF LISTING**

IAPMO Research and Testing, Inc. is a product certification body which tests and inspects samples taken from the supplier's stock or from the market or a combination of both to verify compliance to the requirements of applicable codes and standards. This activity is coupled with periodic surveillance of the supplier's factory and warehouses as well as the assessment of the supplier's Quality Assurance System. This listing is subject to the conditions set forth in the manufacturer's listing and shall not be construed as any representation, assurance or guarantee by IAPMO Research and Testing, Inc. of the product's compliance with applicable codes and standards or its fitness for use in any application. This listing is not evidence of current listing. To verify listing status, visit the IAPMO R&T Product Listing Directory at pld.iapmo.org

Effective Date: March 2019 **Void After:** March 2024
Product: Plumbing Fixture Fittings - Components **File No.:** MC-9703

Issued To: Ningbo Manhai Cartridge Technology Co., Ltd.
Xiachen Zone, Chuhou
Foguang, JIANGSU 315318
China

Identification: Each fitting component shall bear permanent legible markings to identify the manufacturer. This marking shall be the trade name, trademark, or other mark known to identify the manufacturer. The product shall also bear all other markings required by the standard. The marking shall be applied so as to be visible after installation. The product or packaging shall also bear the UPC® certification mark along with the term "COMPONENT" above.

Characteristics: Plumbing fixture fitting components to be installed in accordance with the manufacturer's instructions and the requirements of the latest edition of the Uniform Plumbing Code.

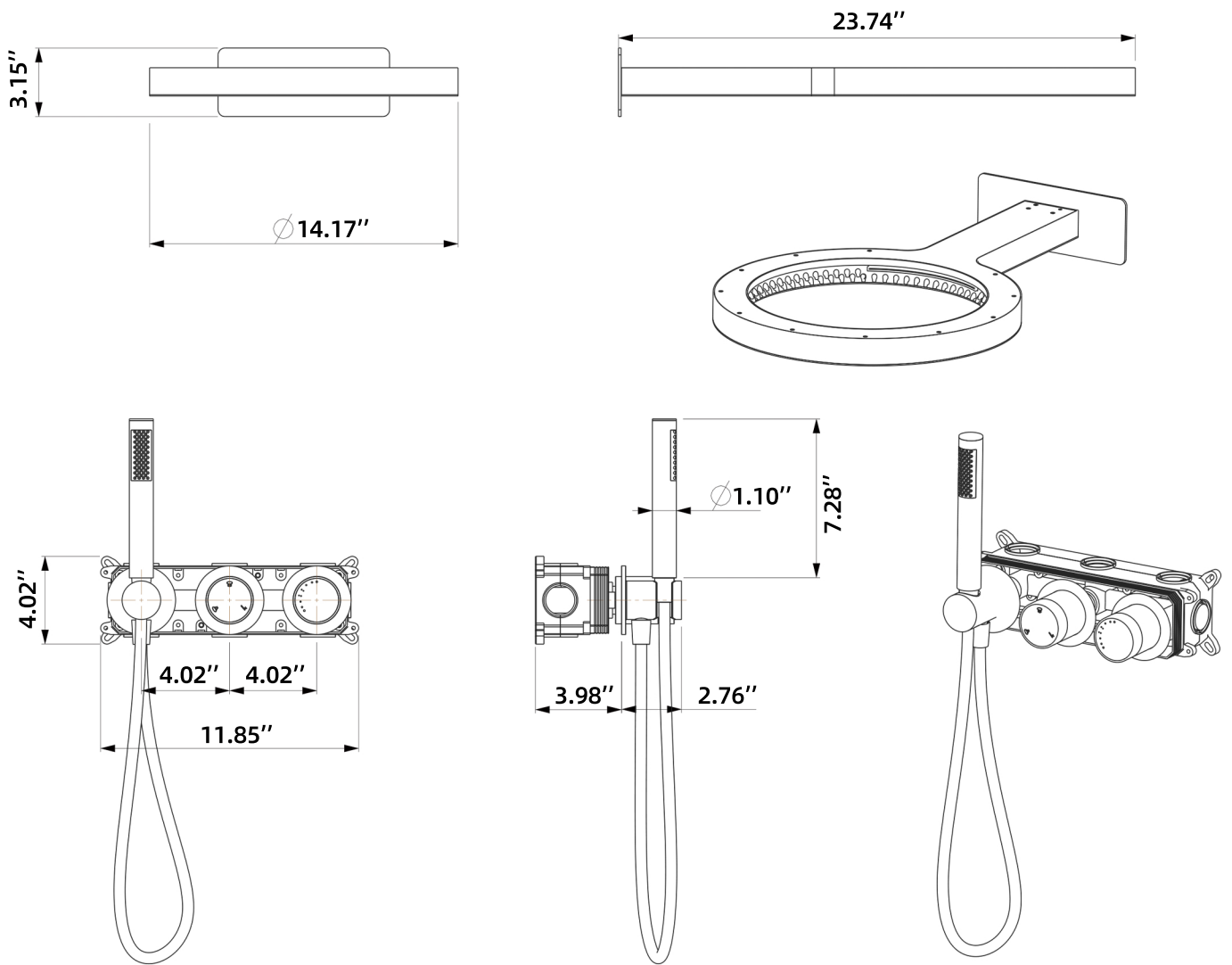
Products listed on this certificate have been tested by an IAPMO R&T recognized laboratory. This recognition has been granted based upon the laboratory's compliance to the applicable requirements of ISO/IEC 17025.

Products are in compliance with the following code(s):
Uniform Plumbing Code (UPC®)

Twin Collins *Ran Chany*
Chairman, Product Certification Committee CEO, The IAPMO Group

This listing period is based upon the last date of the month indicated on the Effective Date and Void After Date shown above. Any change in material manufacturing process, marking or design without having first obtained the approval of the Product Certification Committee, or any evidence of non-compliance with applicable codes and standards or of inferior workmanship, may be deemed sufficient cause for revocation of this listing. Production of or reference to this listing for advertising purposes may be made only by specific written permission of IAPMO Research and Testing, Inc. Any alteration of this certificate could be grounds for revocation of the listing. This document shall be reproduced in its entirety.

Product size



Before Installation

1. After opening the product package, please check whether the spare parts are complete according to the accessories listed in the "Product Parts List". If there is any defect, please contact the local dealer immediately.
2. Check whether the preinstalled water supply connector is consistent with the water supply connector of the product.
3. Ensure that the distance from the center of the hot and cold water supply to the ceiling is greater than 1100mm; otherwise, it cannot be installed.
4. Shower body has been tested and adjusted by the factory, please do not disassemble.
5. Before installing the faucet, be sure to remove impurities and sludge in the embedded water supply to avoid clogging and affecting the function of the valve core and water discharge effect.
6. After installation, please check whether the connections are tight and whether there are leaks in the pipes

Installation Notes

Operating Conditions

1. Water Pressure:

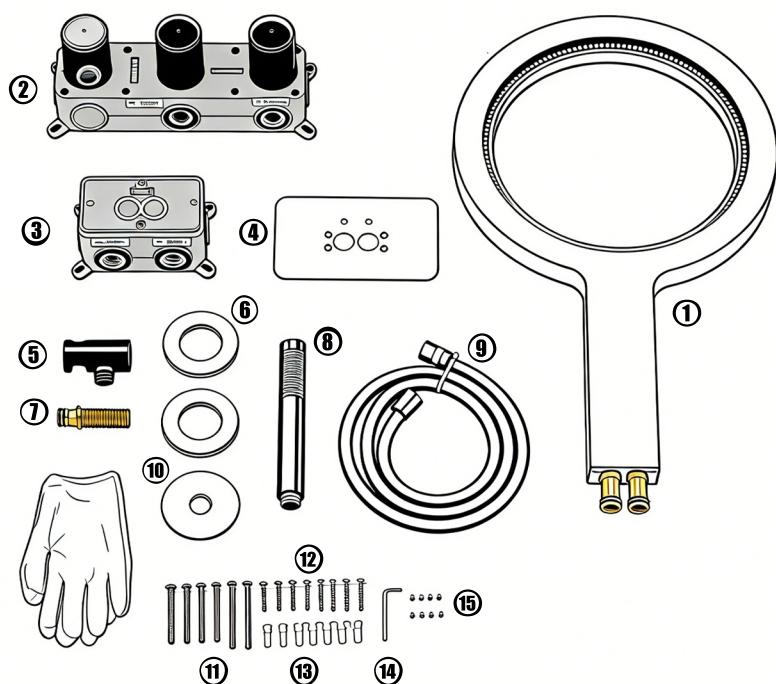
- Min: 0.05MPa (dynamic)
- Max: 1.0MPa (static)
- Recommended: 0.1-0.5MPa (dynamic)
- Add pressure reducer if >0.5MPa
- Test pressure: 1.6MPa (static)

2. Water Temperature: 4°C-90°C (hot water recommended at 60°C; do not use steam)

3. Environment Temp: Keep above 0°C (risk of freeze damage below 0°C)

4. Long-Term Storage: Prolonged non-use may cause corrosion/failure

5. Disposal: Do not discard as household waste; use designated recycling systems



Gather tools:

drill, level, screwdriver, pipe fusion tool, etc.

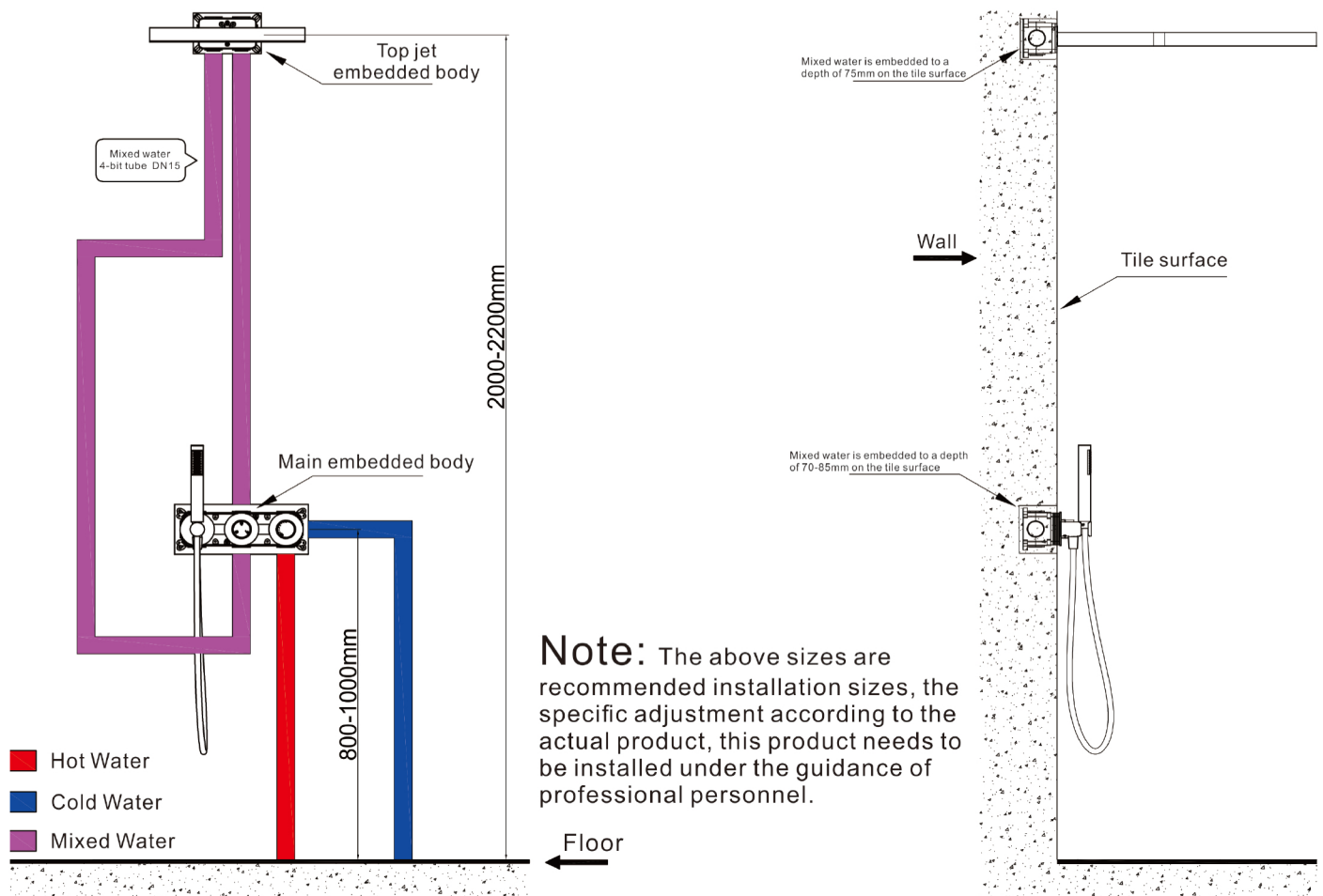
No	Part	PCS
1	Overhead Shower Head	1
2	Concealed Valve Body	1
3	Ceiling Mount Valve Body	1
4	Decorative Cover	1
5	Handheld Shower Holder	1
6	Decorative Rings	2
7	Holder Connector	1
8	Handheld Shower Head	1
9	Shower Hose	1
10	Gasket	1
11	Mounting Screws	2
12	Mounting Screws	8
13	Expansion Bolts	7
14	Hex Wrench	1
15	Screws/Fasteners	8

INSTALLATION STEPS

Step 1: Mark & Cut Wall Holes

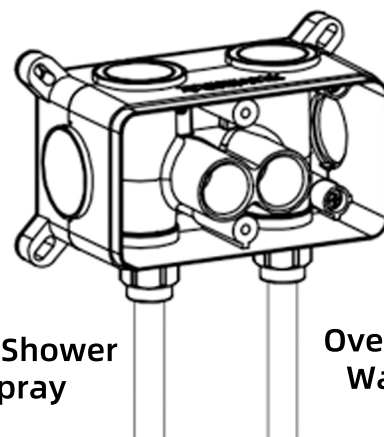
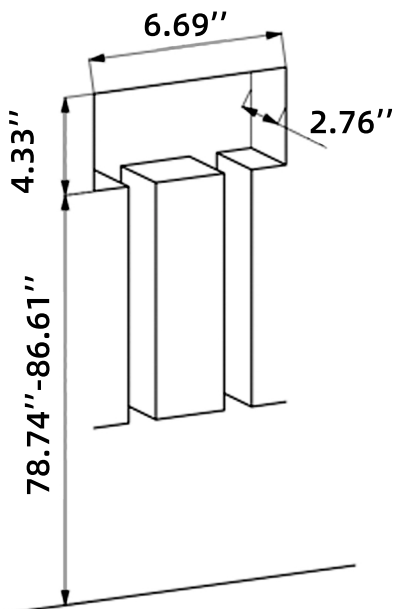
Step 2: Install the Control Valve & Recessed Bodies

Reference: Installation Diagrams



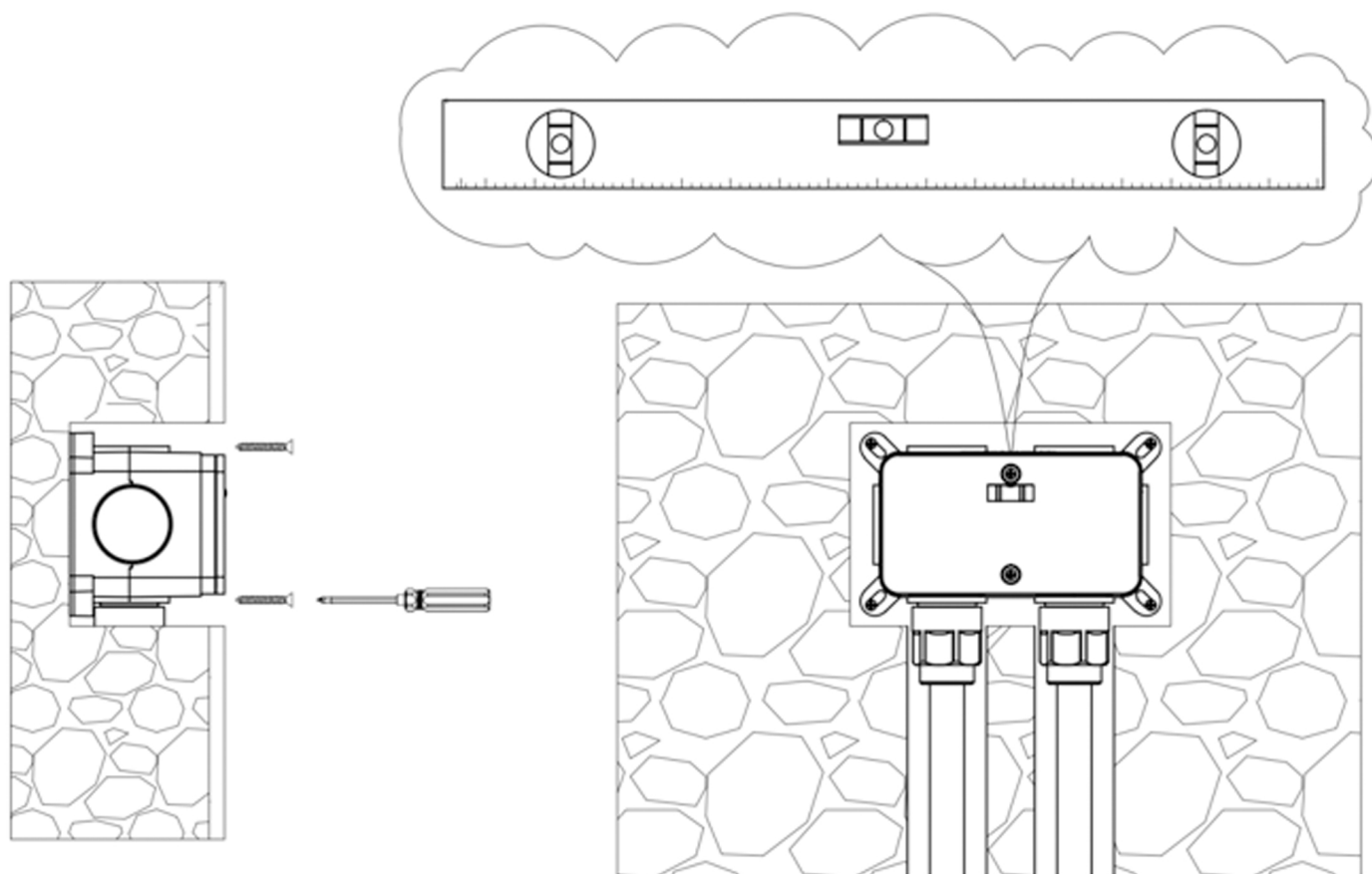
Choose a convenient wall location based on your usage habits, then cut a 6.69x4.33x(2.76-2.95 inch) hole (optimal depth: 2.76 inches).

Align the recessed box with the labeled area on the box when placing it



INSTALLATION STEPS

Fuse the 1/2-inch pipe to the fusion fitting, then secure the recessed body in the cut wall hole using self-tapping screws. Use a level (or spirit level) to adjust and ensure the body is perfectly straight



Step 3: Mount Valve & Shower Components

- Control Valve: Attach the valve to the recessed body's ports; tighten joints. Secure with screws, confirm it's flush with the wall via level. Snap on the trim plate to cover gaps.
- Overhead Shower: Connect the diameter shower to its recessed body port; tighten. Adjust to your preferred angle (no wiggling).
- Handheld Shower: Connect the handheld to the valve via hose. Mount the holder (level, below the valve) with expansion bolts.

Step 4: Final Test & Compliance

Turn on water; check all joints (valve, showers) for leaks. Verify water flow from both showers works as intended.

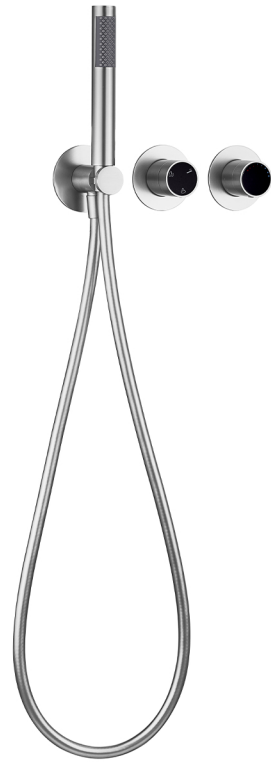
Note: Hire a licensed plumber for professional installation.

CLEANING CARE

To keep your faucet looking clean, bright, and functioning properly, follow these care tips:

1. Rinse the faucet with water only, then dry it thoroughly with a soft cotton cloth.
2. Use a mild, colorless liquid glass cleaner to remove surface dirt or limescale film. You may also use a non-abrasive polish.
3. Do not use: Abrasive detergents, polishes, emery cloth, paper towels, or scrapers.
4. Do not use: Acidic cleaners, or cleaners/soaps that contain insoluble granules.
5. Over time, debris may build up in the bubbler (causing reduced water flow). Simply unscrew the bubbler, rinse it with water, then reattach it securely.





**Please Do Not Return the Product to the Store.
Contact us with any questions.**