



# IMPORTANT INFORMATION

Seller and Manufacturer disclaim all and any liability for property damage, personal injury, or loss, direct, indirect, or incidental, resulting from the incorrect assembly, inadequate maintenance, improper use, or neglect of this product.



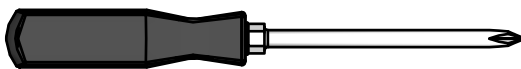
## NOTICE

- Keep these assembly instructions for future reference.
- Do not use this product if there are missing, damaged, or broken parts until repairs are made and/or factory replacement parts are installed.
- Check all packing material carefully for small hardware that may have become loose inside the carton during shipment.
- Identify and count all hardware and parts to compare with parts and hardware list.
- Follow assembly instructions closely. Improper assembly can result in personal or property damage.
- Secure all bolts before use.
- Every 90 days check all bolts are secured.
- Some parts may have a sharp corner or edge and maybe heavy.
- Do not use or store this product near open flames or around flammable chemicals.
- When placing contents on non-carpeted flooring, it's recommended to use floor protection such as an area rug or furniture pads. These are not included with the purchase.

## REPLACEMENT PART OR HARDWARE REQUEST:

Request a replacement by logging into the marketplace account in which the purchase was made and sending a message to the seller. To assist in expediting the request attach applicable images relevant to the request and/or part number and quantity.

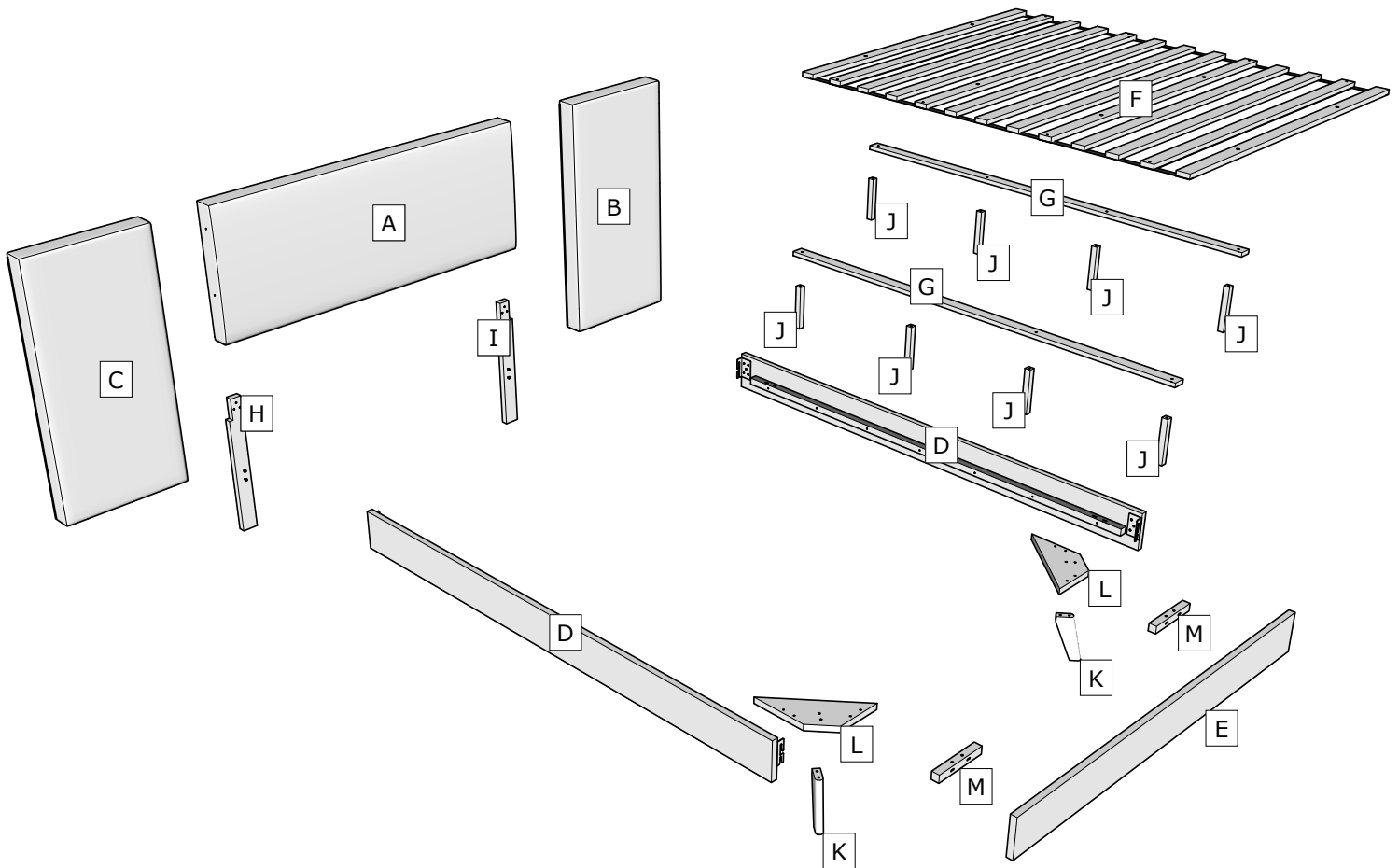
## ADDITIONAL TOOL REQUIRED:



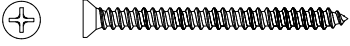
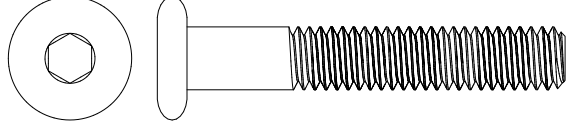
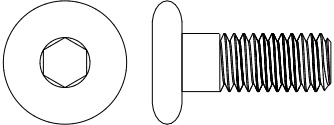
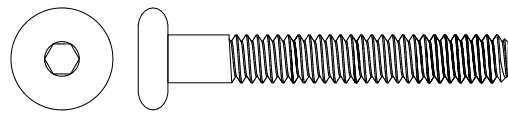
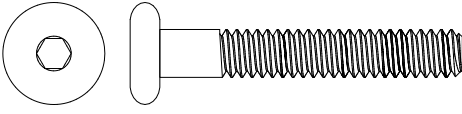
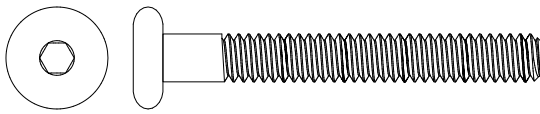
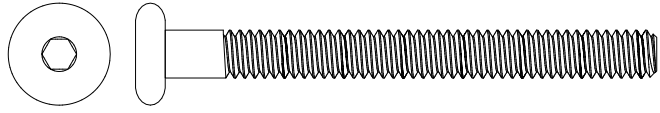
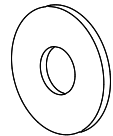
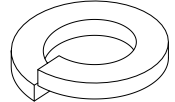
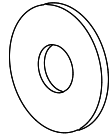
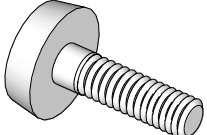


**#2 Philips Screwdriver  
( Not Provided)**

# BED PARTS

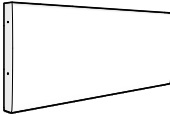
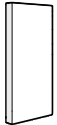

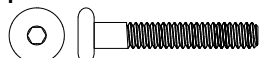
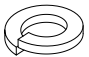
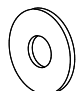

- A..... Headboard..... x 1
- B..... Headboard Right Wing..... x 1
- C..... Headboard Left Wing..... x 1
- D..... Side Rail..... x 2
- E..... Footboard..... x 1
- F..... Bed Slat..... x 13
- G..... Center Rail..... x 2
- H..... Headboard Leg Left..... x 1
- I..... Headboard Leg Right..... x 1
- J..... Center Leg..... x 8
- K..... Footboard Leg..... x 2
- L..... Corner Block..... x 2
- M..... Corner Block Support..... x 2

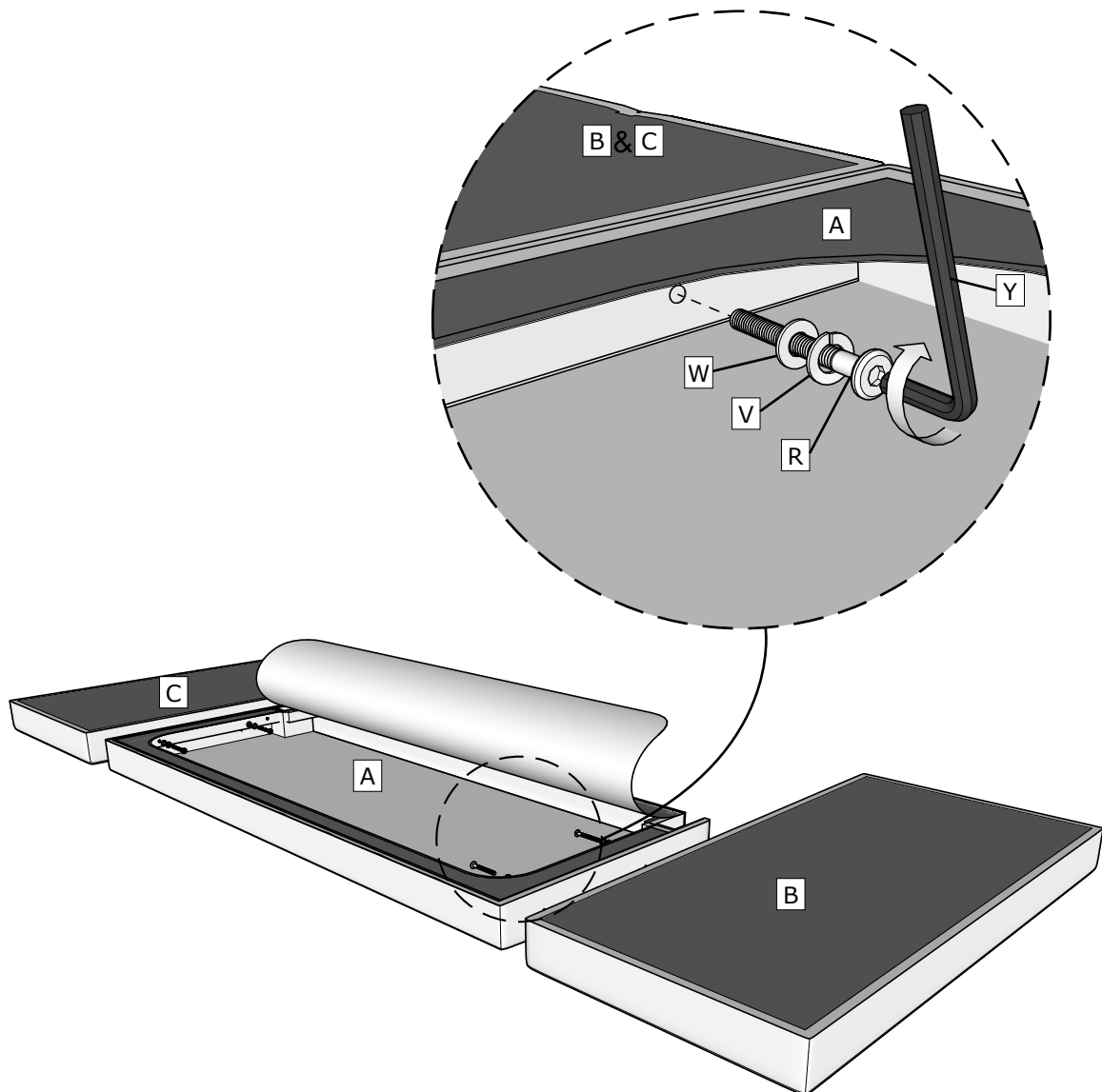


# HARDWARE

|  |  |   |
|--|--|---|
| <p><b>N</b> Screw<br/>x 8</p>  <p>M4 x 32mm</p>     | <p><b>O</b> Bolt<br/>x 4</p>  <p>M8 x 50mm</p>     |   |
| <p><b>P</b> Bolt<br/>x 8</p>  <p>M8 x 20mm</p>      | <p><b>Q</b> Bolt<br/>x 4</p>  <p>M6 x 45mm</p>     |   |
| <p><b>R</b> Bolt<br/>x 4</p>  <p>M6 x 40mm</p>     | <p><b>S</b> Bolt<br/>x 6</p>  <p>M6 x 50mm</p>    |   |
| <p><b>T</b> Bolt<br/>x 16</p>  <p>M6 x 60mm</p>   | <p><b>U</b> Flat Washer<br/>x 4</p>  <p>M8</p>  |   |
| <p><b>V</b> Spring Washer<br/>x 10</p>  <p>M6</p> | <p><b>W</b> Flat Washer<br/>x 12</p>  <p>M6</p>   | <p><b>X</b> Adjustable Feet<br/>x 8</p>  |
| <p><b>Y</b> Hex Key Wrench<br/>x 1</p>  <p>M4</p> | <p><b>Z</b> Hex Key Wrench<br/>x 1</p>  <p>M5</p> |   |



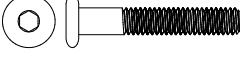


# BED ASSEMBLY STEP 1

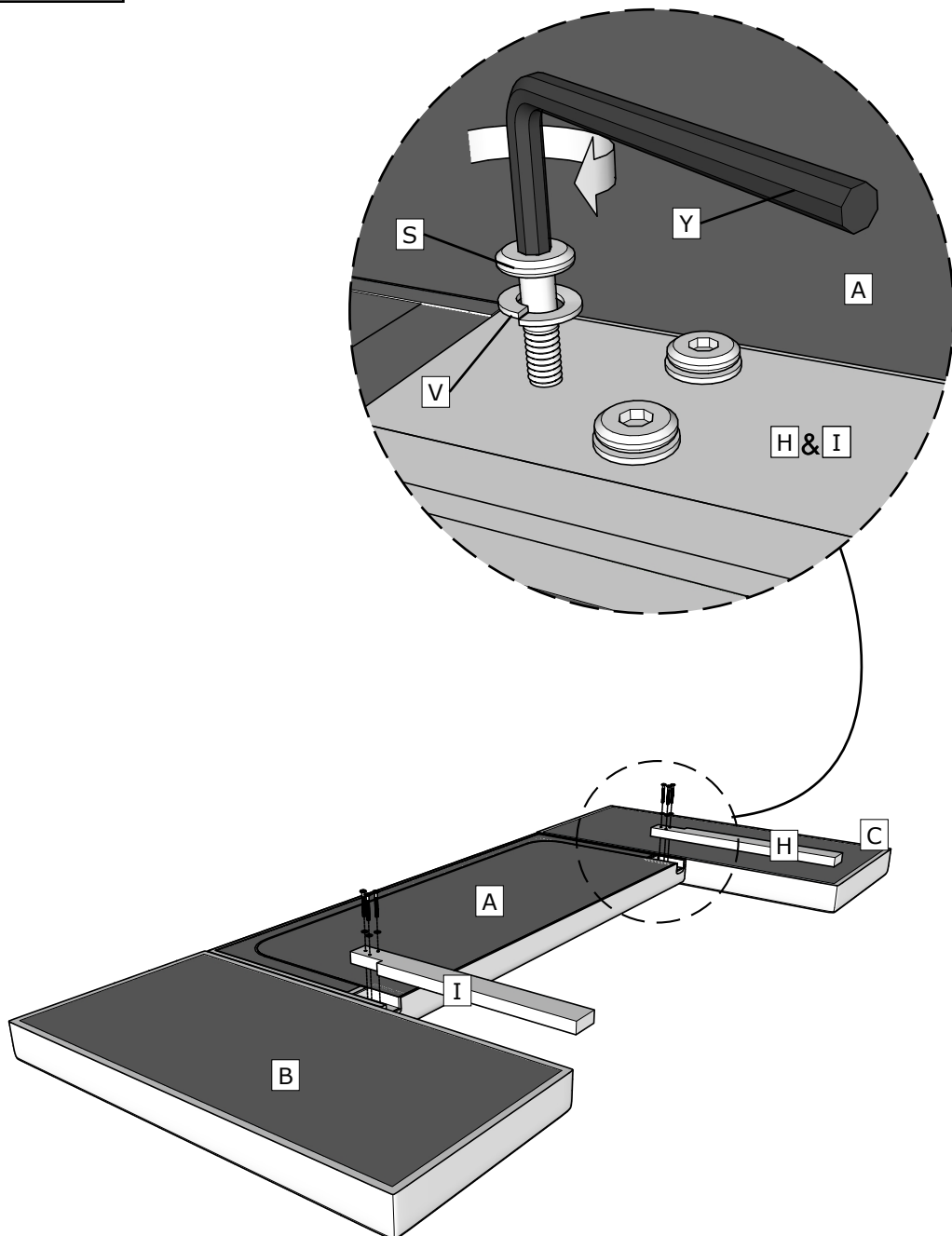
|  |  |   |  |
|--|--|---|--|
| <b>A</b><br>x1<br>Headboard<br>           | <b>B</b><br>x1<br>Headboard<br>Right Wing<br> | <b>C</b><br>x1<br>Headboard<br>Left Wing<br>  | <b>R</b><br>x4<br>Bolt<br><br>M6 x 40mm |
| <b>V</b><br>x4<br>Spring Washer<br><br>M6 | <b>W</b><br>x4<br>Flat Washer<br><br>M6       | <b>Y</b><br>x1<br>Hex Key<br>Wrench<br><br>M4 |  |



Attach **B** and **C** to **A** with **R** , **V** , and **W** using a Hex Key Wrench **Y** .

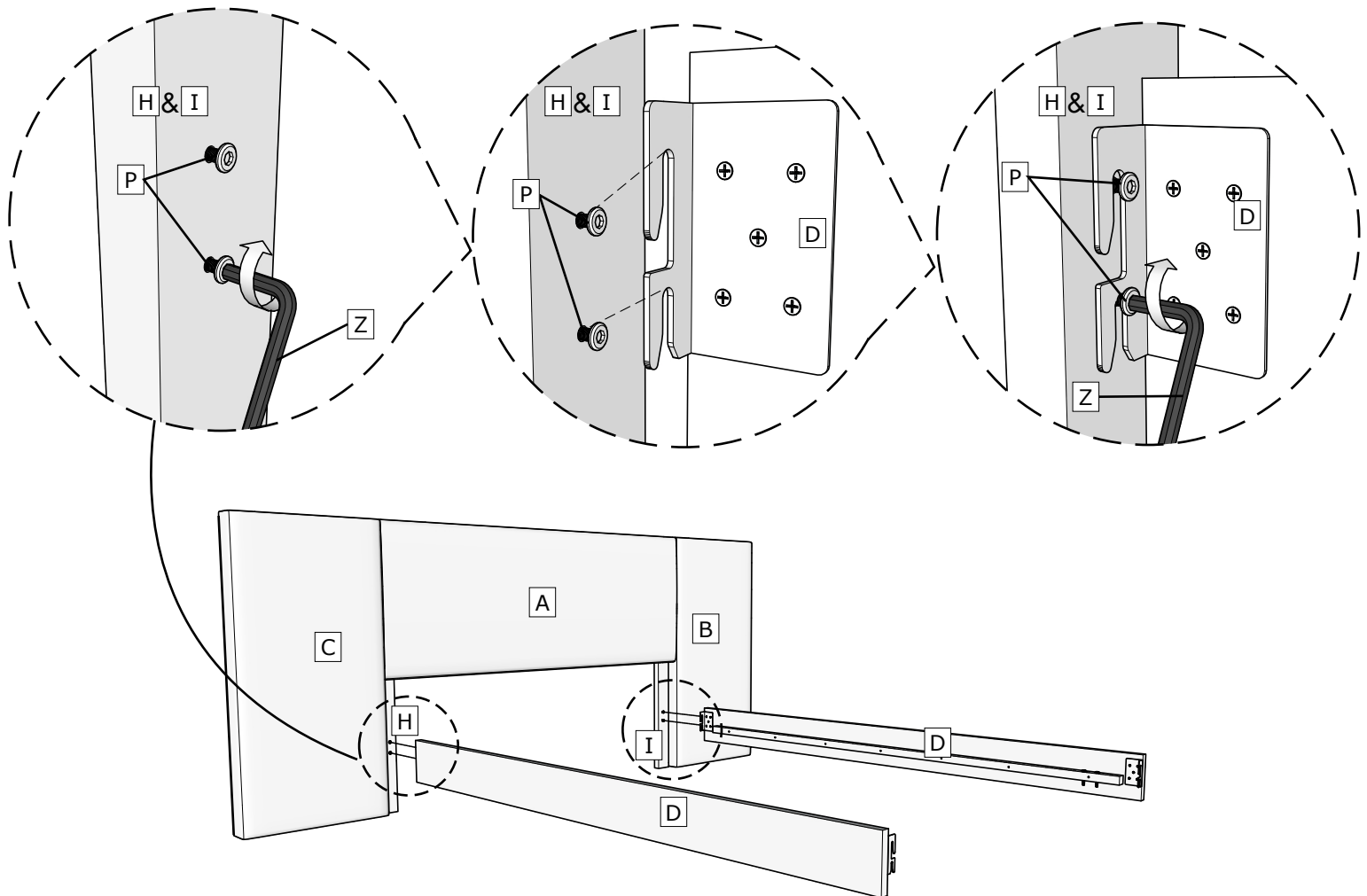
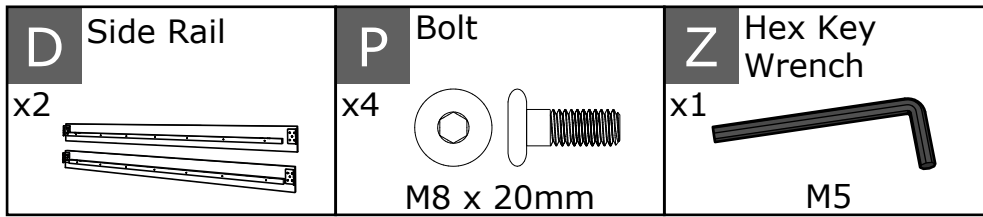
# BED ASSEMBLY STEP 2

|  |   |  |   |
|--|---|--|---|
| <b>H</b> Headboard Leg Left<br>x1<br>   | <b>I</b> Headboard Leg Right<br>x1<br> | <b>S</b> Bolt<br>x6<br><br>M6 x 50mm | <b>V</b> Spring Washer<br>x6<br><br>M6 |
| <b>Y</b> Hex Key Wrench<br>x1<br><br>M4 |   |  |   |



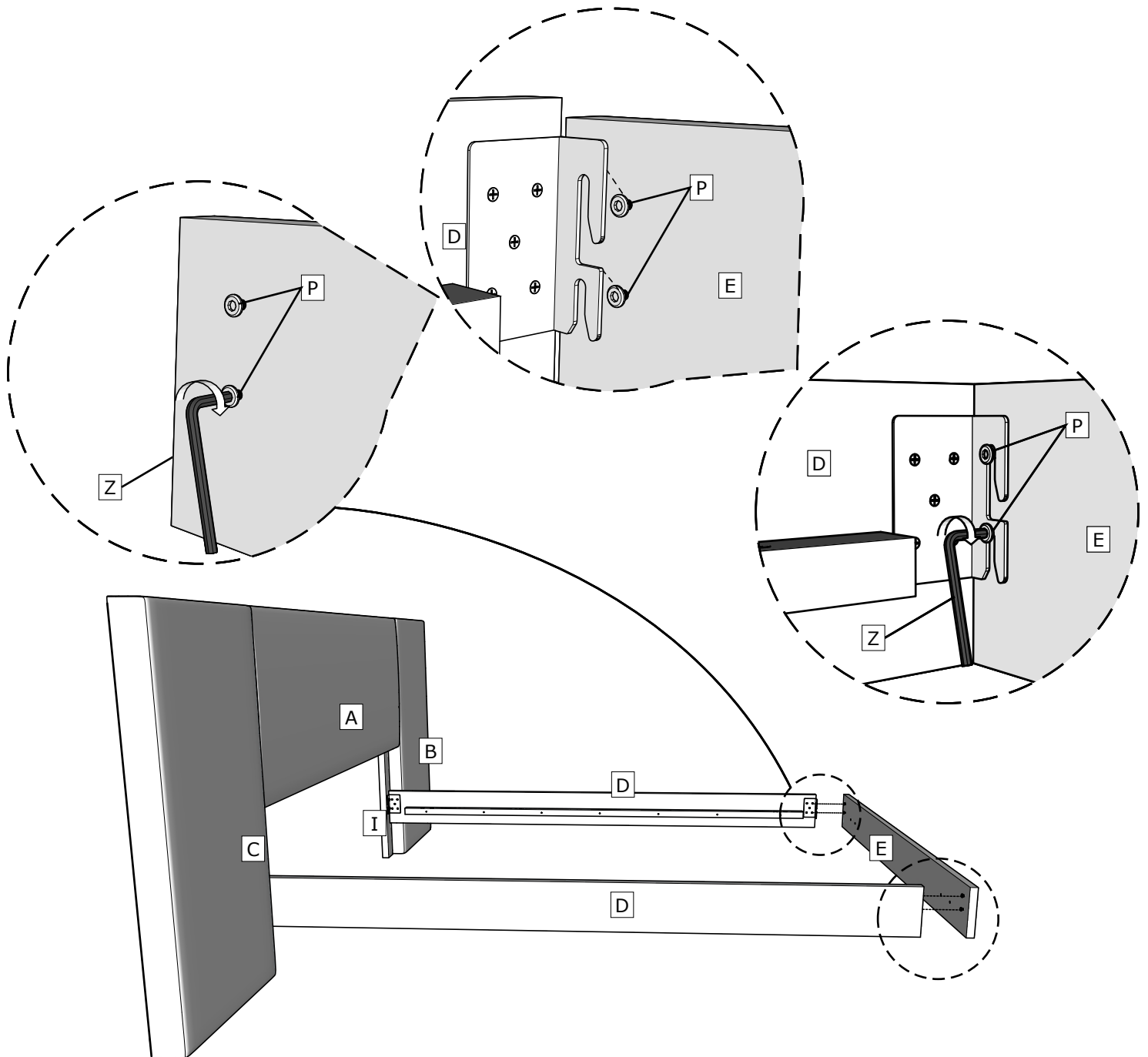
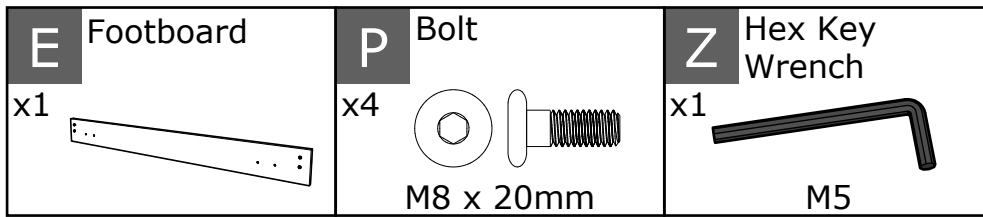
Attach **H** and **I** to **A** with **S** and **V** using a Hex Key Wrench **Y**.

# BED ASSEMBLY STEP 3



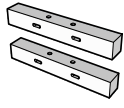
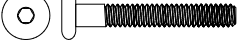
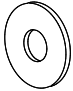

Attach **D** to **H** and **I** with **P** using a Hex Key Wrench **Z**. (Do not tighten the bolts yet.)

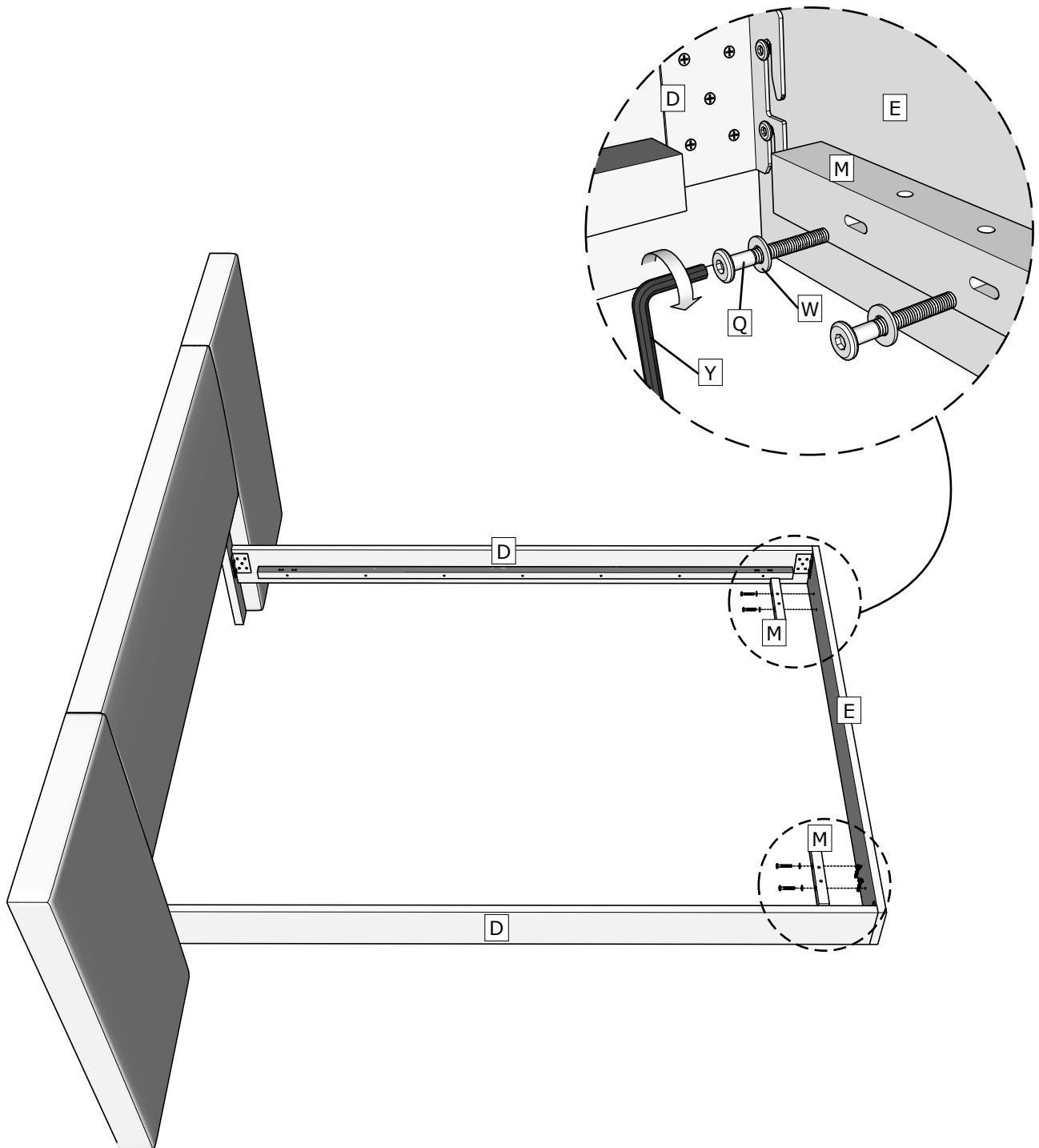
# BED ASSEMBLY STEP 4



Attach **D** to **E** with **P** using a Hex Key Wrench **Z**. (Tighten all the bolts.)

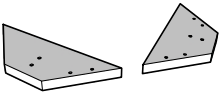

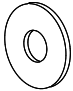

# BED ASSEMBLY STEP 5

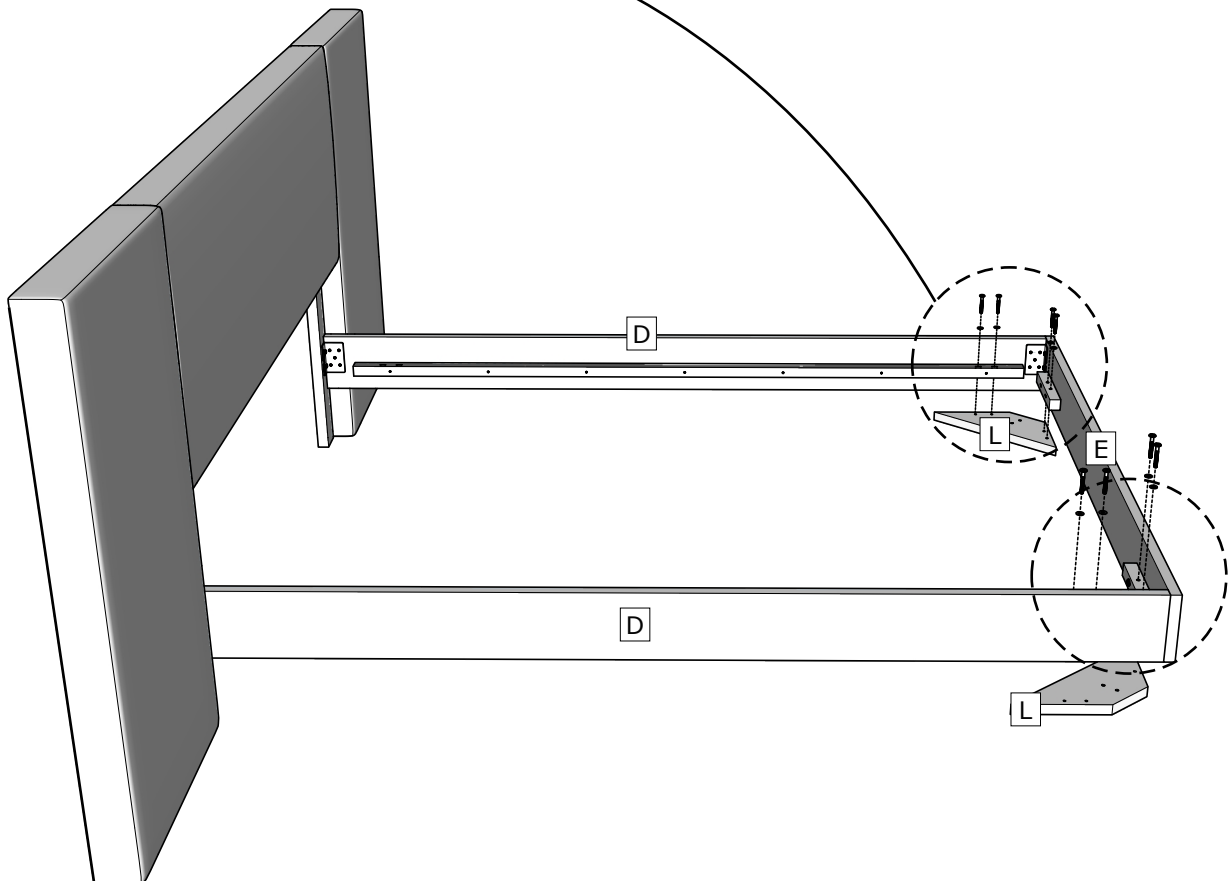
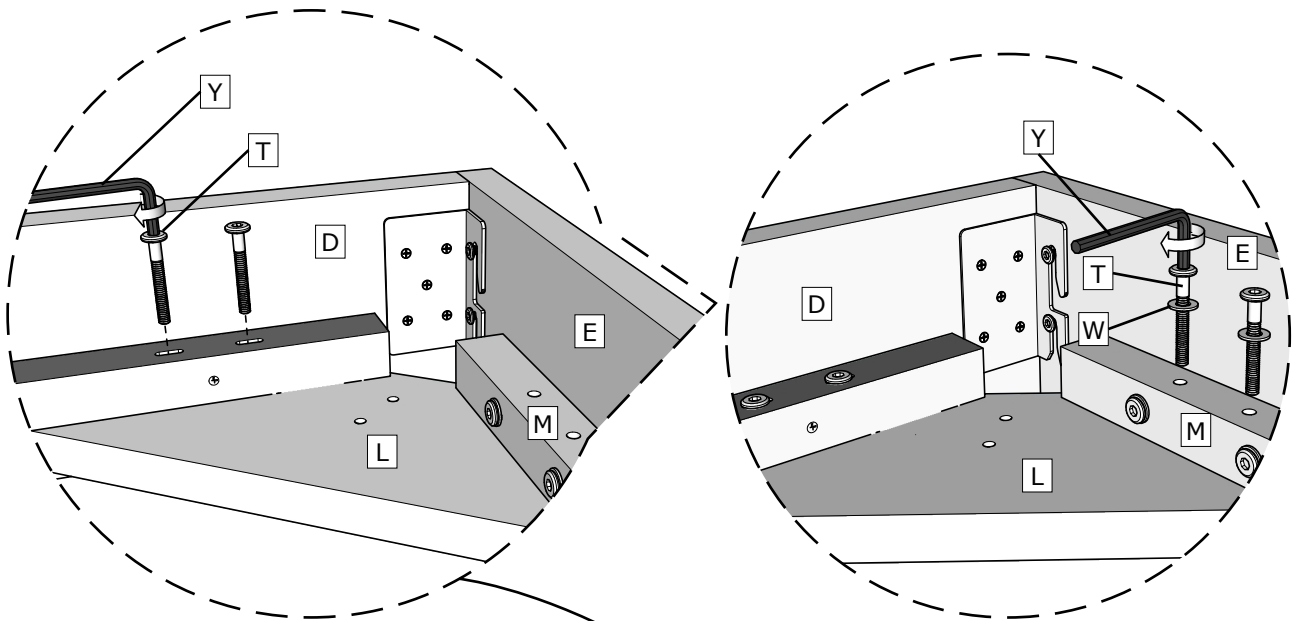
|                |   |                |  |                |   |                |   |
|----------------|---|----------------|--|----------------|---|----------------|---|
| <b>M</b><br>x2 | Corner Block Support<br> | <b>Q</b><br>x4 | Bolt<br>M6 x 45mm<br> | <b>W</b><br>x4 | Flat Washer<br>M6<br> | <b>Y</b><br>x1 | Hex Key Wrench<br>M4<br> |
|----------------|---|----------------|--|----------------|---|----------------|---|



Attach **M** to **E** with **Q** and **W** using a Hex Key Wrench **Y**.


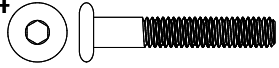
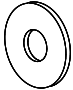

# BED ASSEMBLY STEP 6

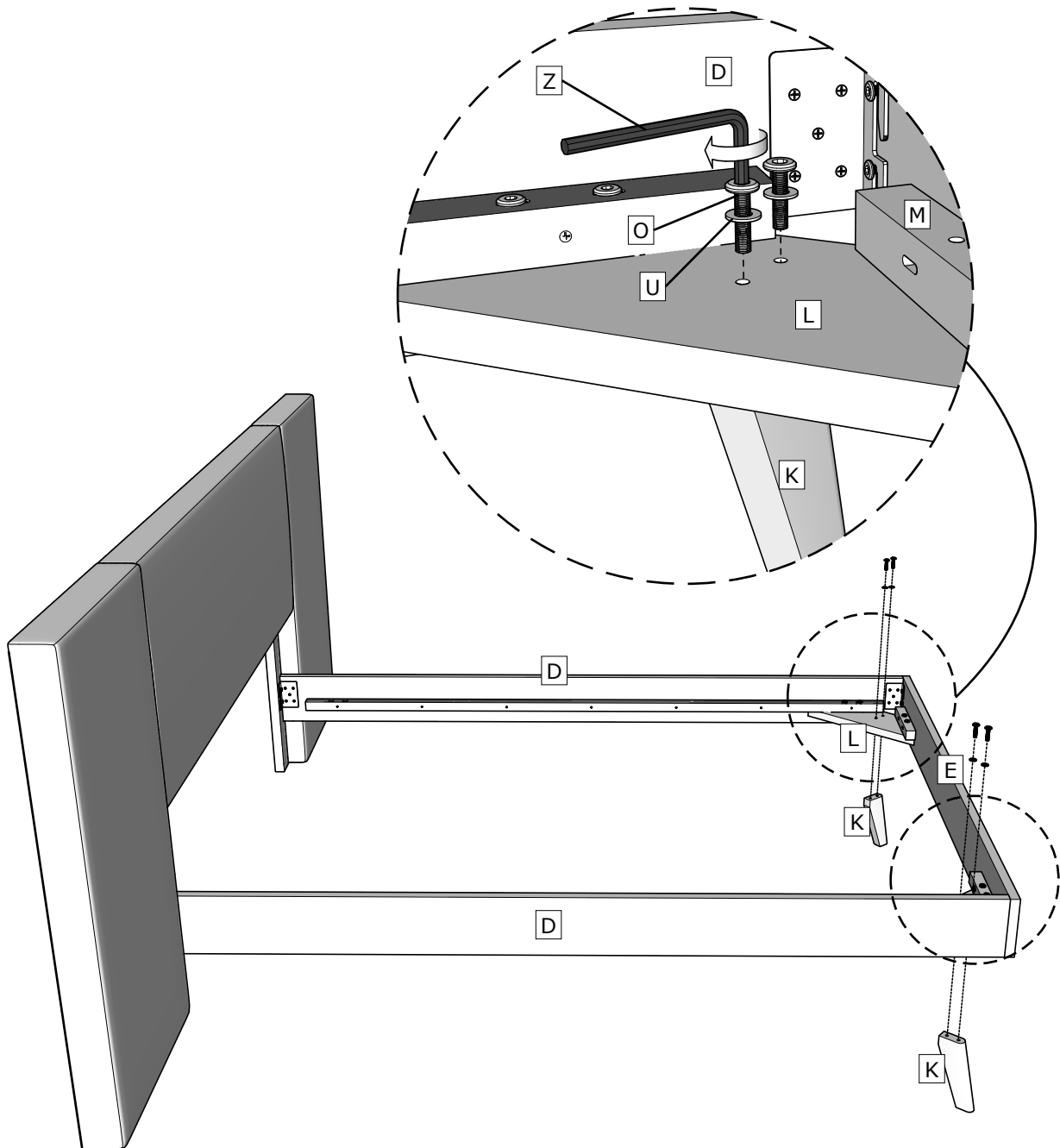
|   |  |   |   |
|---|--|---|---|
| <b>L</b><br>x2<br>Corner Block<br> | <b>T</b><br>x8<br>Bolt<br>M6 x 60mm<br> | <b>W</b><br>x4<br>Flat Washer<br>M6<br> | <b>Y</b><br>x1<br>Hex Key Wrench<br>M4<br> |
|---|--|---|---|



Attach **L** to Assembled Bed with **T** and **W** using a Hex key Wrench **Y**.

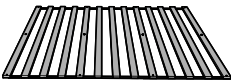
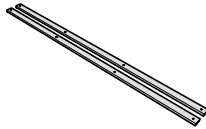

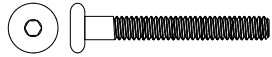
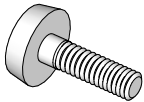

# BED ASSEMBLY STEP 7

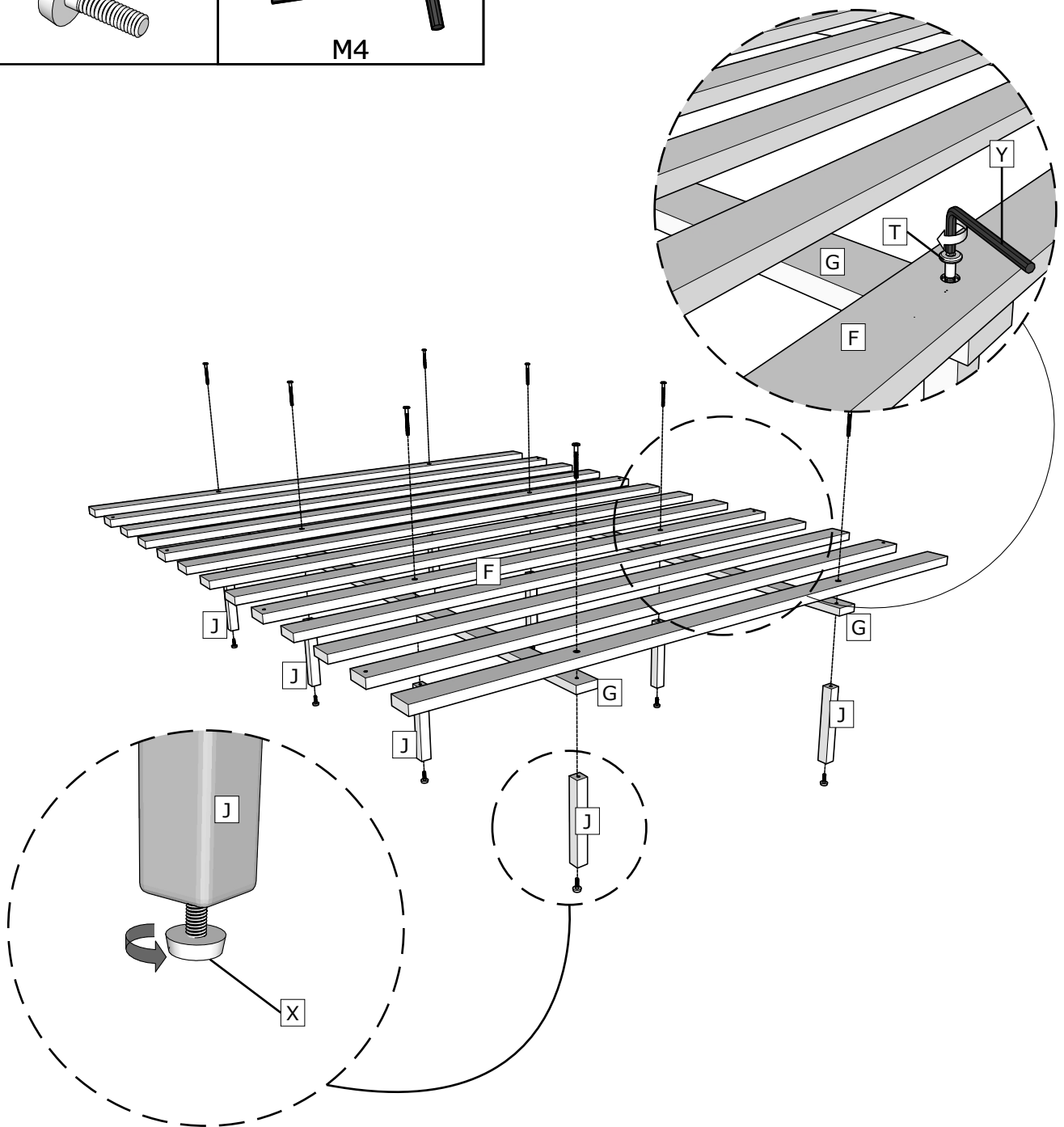
|                |  |                |  |                |   |                |   |
|----------------|--|----------------|--|----------------|---|----------------|---|
| <b>K</b><br>x2 | Footboard Leg<br> | <b>O</b><br>x4 | Bolt<br>M8 x 50mm<br> | <b>U</b><br>x4 | Flat Washer<br>M8<br> | <b>Z</b><br>x1 | Hex Key Wrench<br>M5<br> |
|----------------|--|----------------|--|----------------|---|----------------|---|



Attach **K** to **L** with **O** and **U** using a Hex key Wrench **Z**.

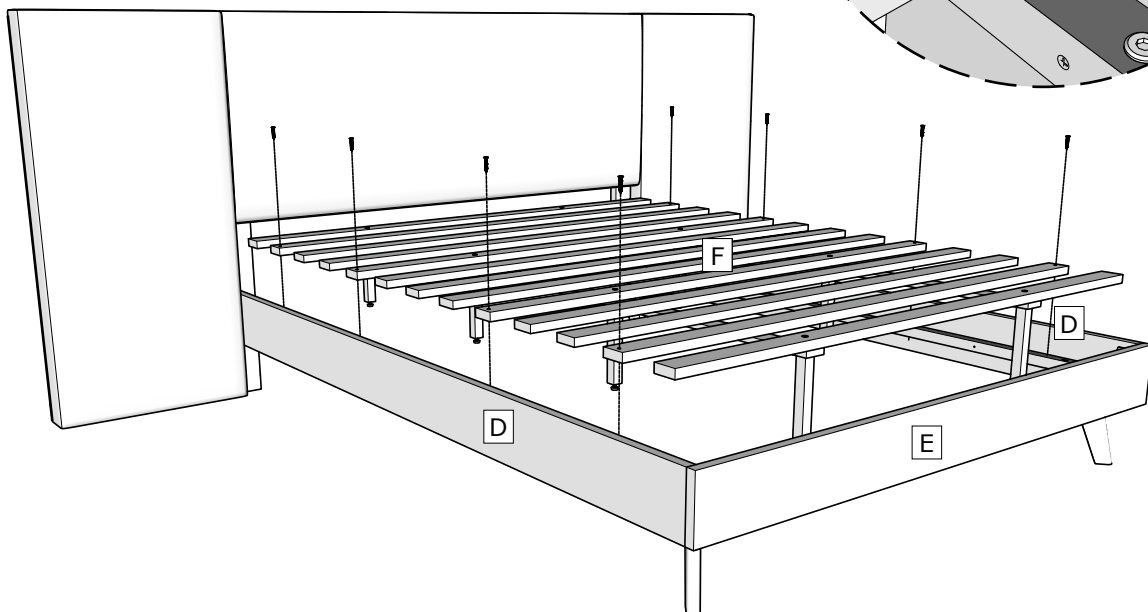
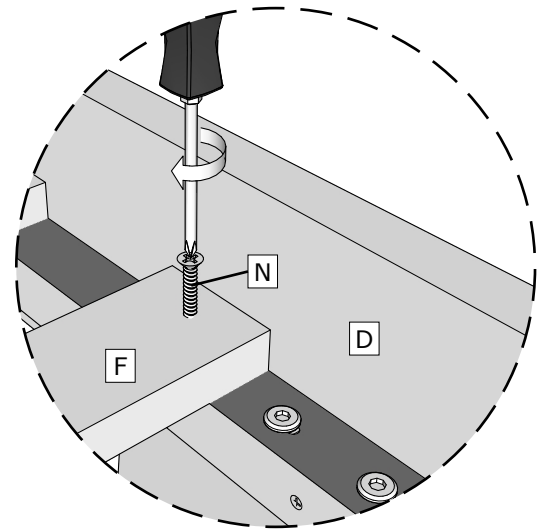
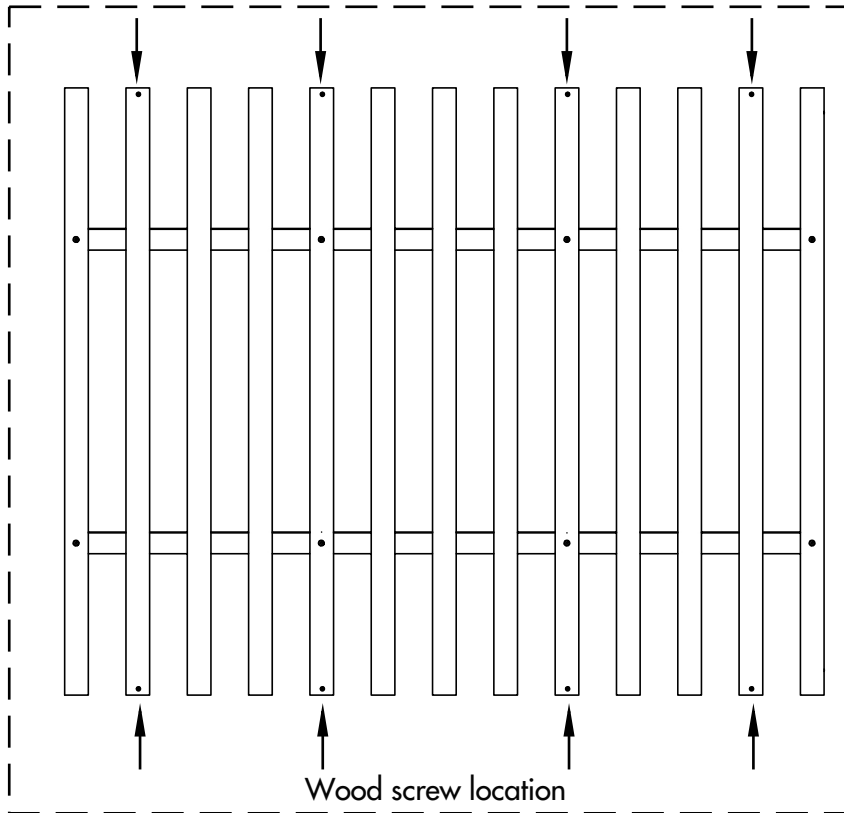
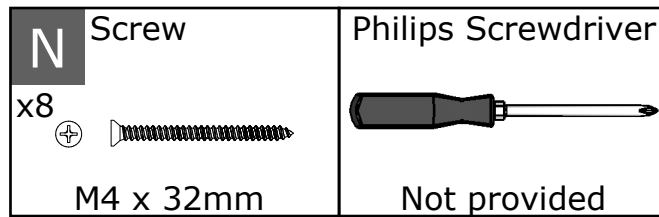
# BED ASSEMBLY STEP 8

|  |   |  |  |
|--|---|--|--|
| <b>F</b><br>Bed Slat<br>x13<br>       | <b>G</b><br>Center Rail<br>x2<br>          | <b>J</b><br>Center Leg<br>x8<br> | <b>T</b><br>Bolt<br>x8<br>M6 x 60mm<br> |
| <b>X</b><br>Adjustable Feet<br>x8<br> | <b>Y</b><br>Hex Key Wrench<br>x1<br>M4<br> |  |  |



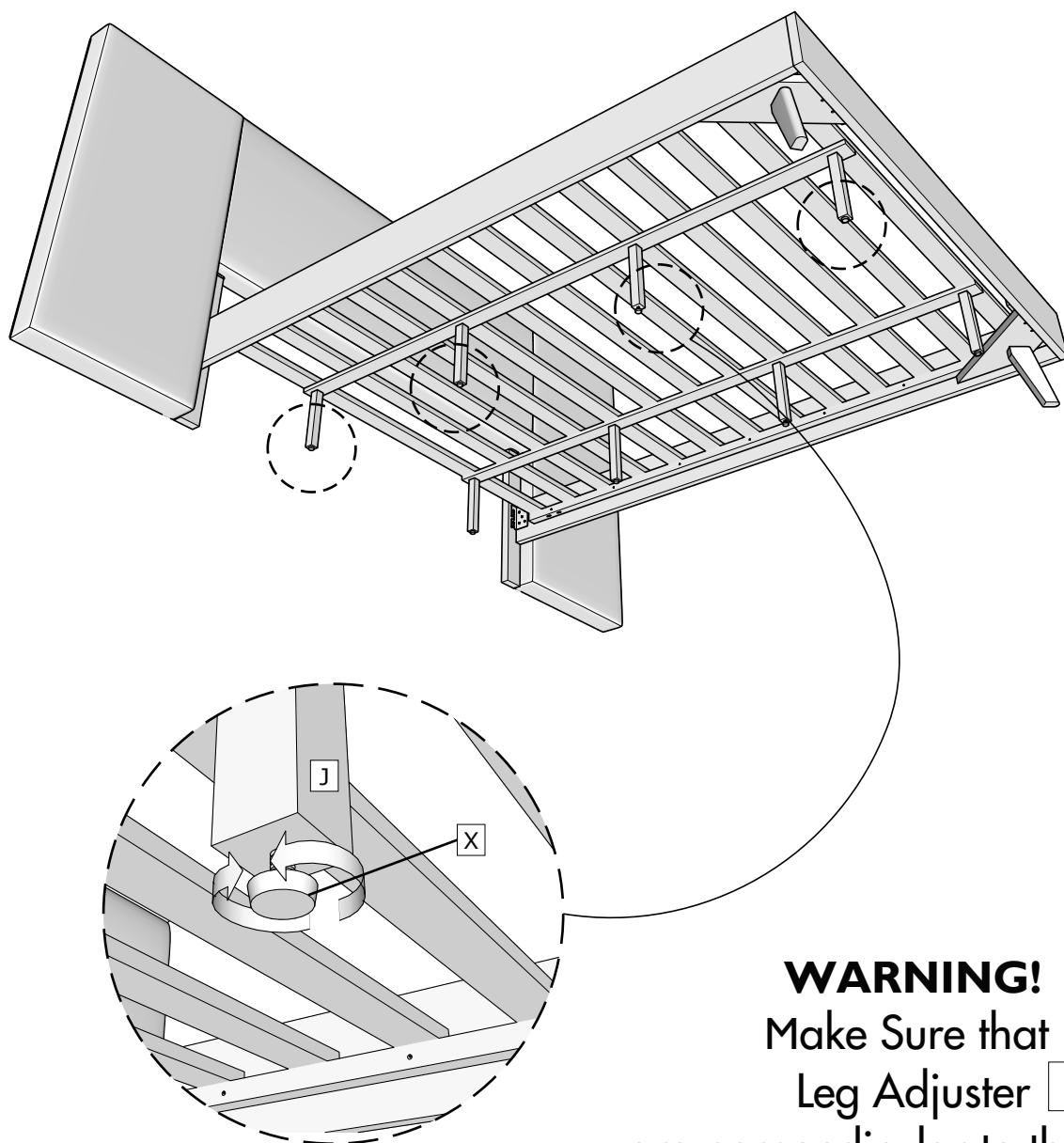
Attach **X** to **J**. Then attach **J** and **F** to **G** with **T** using a Hex key Wrench **Y** as shown.

# BED ASSEMBLY STEP 9



Attach Assembled Bed slats to a Assembled Bed frame with **N** using a Screwdriver as shown.

# BED ASSEMBLY STEP 10



**WARNING!**  
Make Sure that  
Leg Adjuster **X**  
are perpendicular to the floor  
before using the bed.

Rotate **X** clockwise or counter clockwise until it is firmly against the floor.