

# Use and Care Instructions

Backpack Chair

**IMPORTANT, RETAIN FOR FUTURE REFERENCE: READ CAREFULLY**

## Instructions to adjust the back:

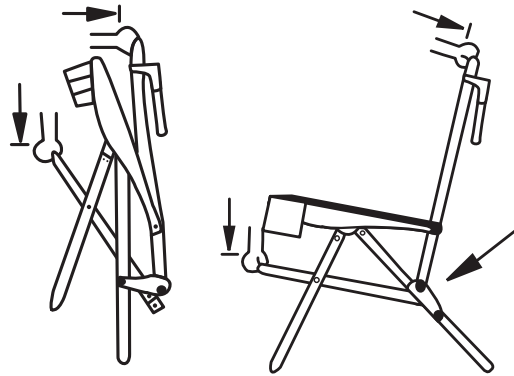
DO NOT PUT FINGERS UNDERNEATH ARMS. While seated, lean forward to take pressure off the backrest, grip the front of the arms and lift up. Move backrest to desired position and press the arms down to lock into desired position.

## Chair and pillow fabric care:

Fabric and frame may be sponged with mild soap and water or simply hosed down.

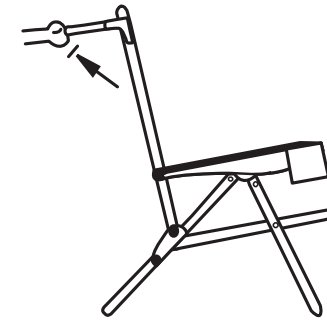
NOTE: Never use bleach or detergent on the fabric.

Open:

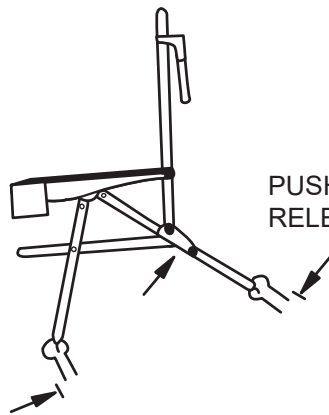


SAFETY HINGE WILL SNAP LOCK WHEN CHAIR IS FULLY OPEN

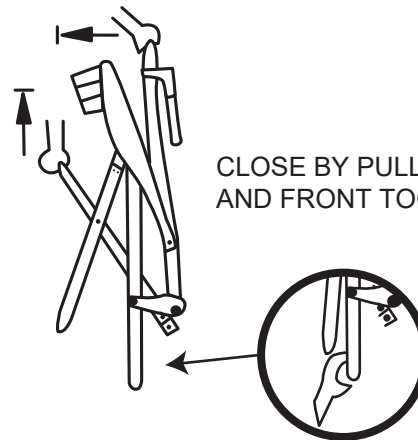
Instructions to use towel rack/support bar:



Close:



PUSH LEGS TOGETHER TO RELEASE SAFETY BRACKET



CLOSE BY PULLING TOP AND FRONT TOGETHER

For camping use  
For outdoor use only



PINCHING HAZARD: BE CAREFUL WHEN CLOSING CHAIR LEGS  
RISQUE DE PINCEMENT : ATTENTION LORS DE LA FERMETURE DES PIEDS DE LA CHAISE  
PELIGRO: TENGA CUIDADO AL CERRAR LAS PATAS DE LA SILLA