



## TECHNICAL CHARACTERISTICS

Type:	Wall fixture
IP Protection degrees:	IP44
Light source 1:	1 x 2G11 18W
Voltage / Frequency:	230V/50-60Hz
Units per box:	6
Net Weight (Kg):	0.99



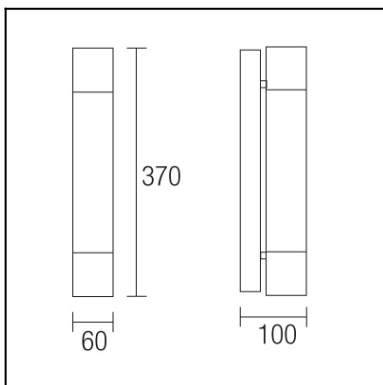
## MATERIALS / FINISHES

<b>Structure material:</b>	Steel	<b>Diffuser material:</b>	Polycarbonate
<b>Structure finish:</b>	Chrome	<b>Diffuser finish:</b>	Opal

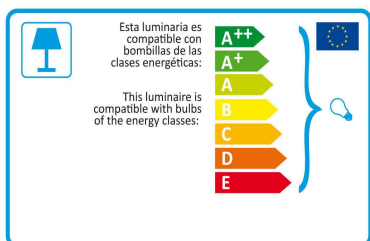
## GEAR

Gear included: Yes, electronic

The photograph may not match the reference exactly. Please read the product description to identify the finish.



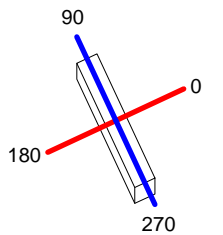
Download photometric file .ldt / .ies



Luminaire		Measur.		Lamp		
Name	Aplique 1x18W PL-L 2G11	Name	Aplique 1x18W PL-L 2G11	Code	PL-L18W/830/4P	
Line	Eulumdat			Number	1	
				Position		
Efficiency	54.67%	Coordinate system	CG	Total Flux	1200.00 lm	
Maximum value	103.91 cd	Position	C=0.00 G=45.00	Double Symmetrical		
Rectangular Luminaire	Length	370 mm	Width	60 mm	Height	100 mm
Rectangular Luminous Area	Length	250 mm	Width	60 mm	Height	60 mm
Horizontal Luminous Area	0.015000 m2	Emitting area on Plane 180°		0.015000 m2		
Emitting area on Plane 0°	0.015000 m2	Emitting area on Plane 270°		0.003600 m2		
Emitting area on Plane 90°	0.003600 m2	Glare area at 76°		0.018183 m2		
Symmetry Type	Double Symmetrical	Maximum Gamma Angle	180			
Measurement Distance	0.00	Measurement Flux	1200.00 lm			
Operator	Asselum	Source voltage				
Temperature	25.00 °C	Source current				
Humidity	60.00 %	Photocell				
Notes						

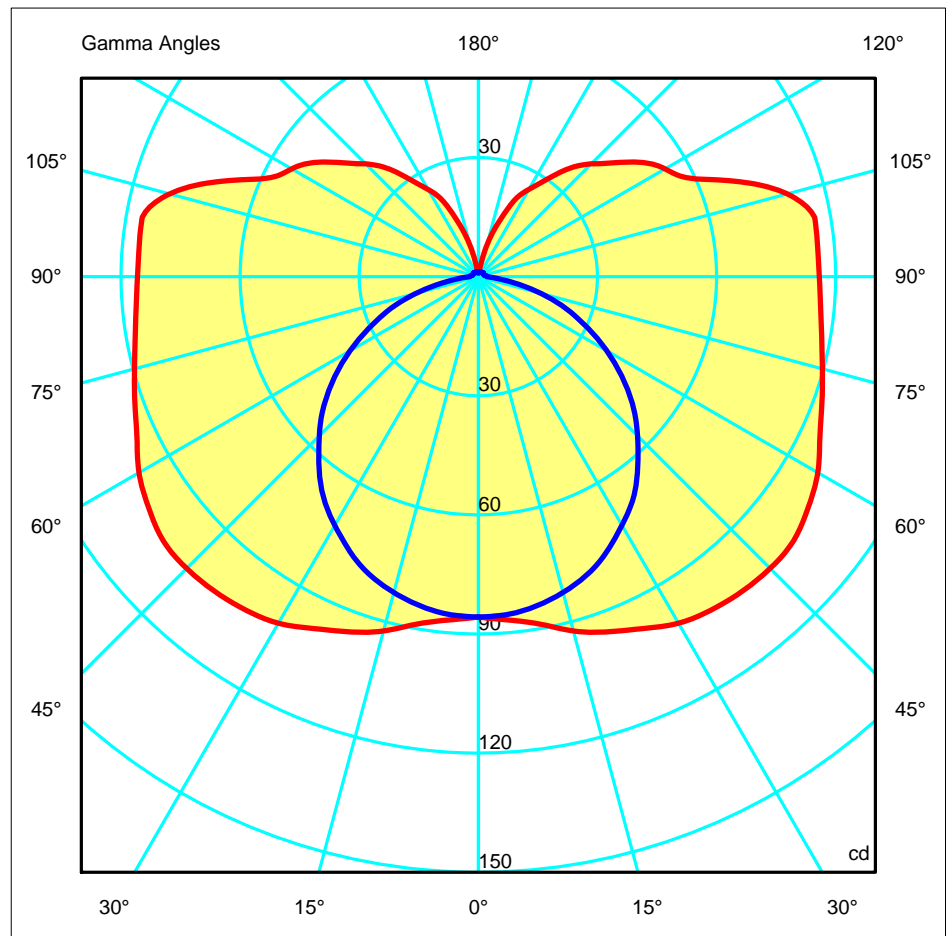
Luminaire Lamps						
Line	Code	Name	Flux [lm]	Pow. [W]	Q.ty	
Eulumdat	PL-L18W/830/4P	PL-L18W/830/4P - 18.00 W	1200.00	18.00	1	
C.I.E.	30 58 81 69 55	D DIN 5040				
F UTE	0.38 H + 0.17 T	B NBN				
		B11				
		BZ 7				

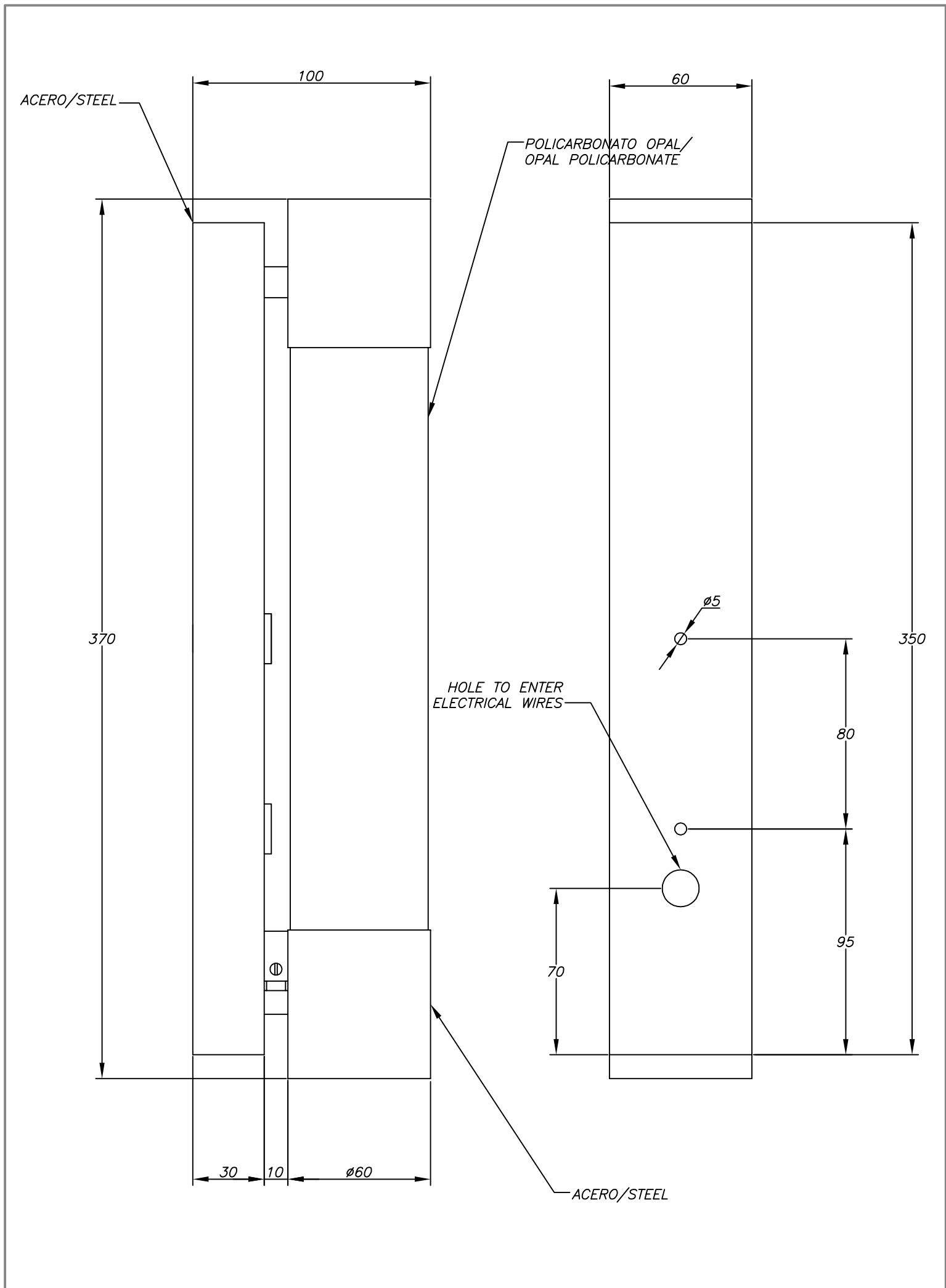
370mm x 60mm



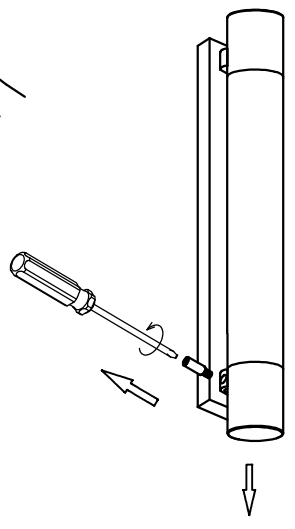
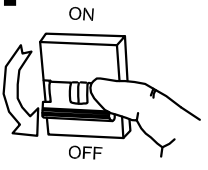
C Halfplanes  
 180.0 — 0.0  
 270.0 — 90.0

ULOR 16.93 %  
 DLOR 37.73 %  
 RN 30.98 %

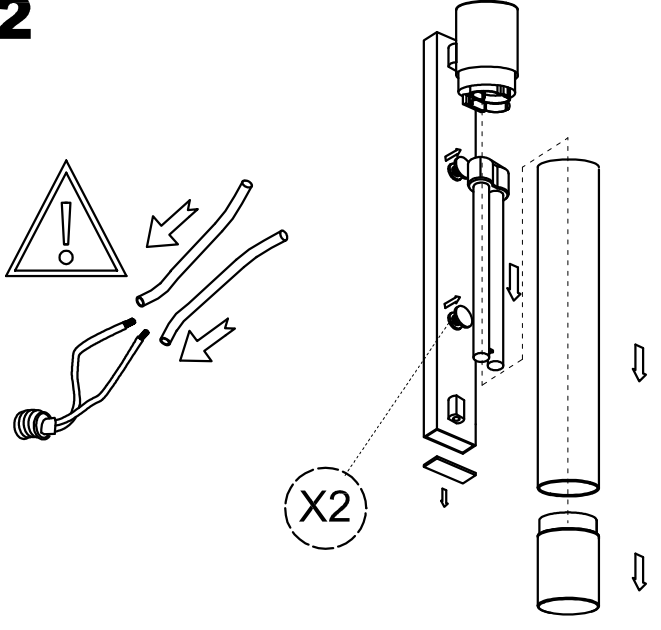




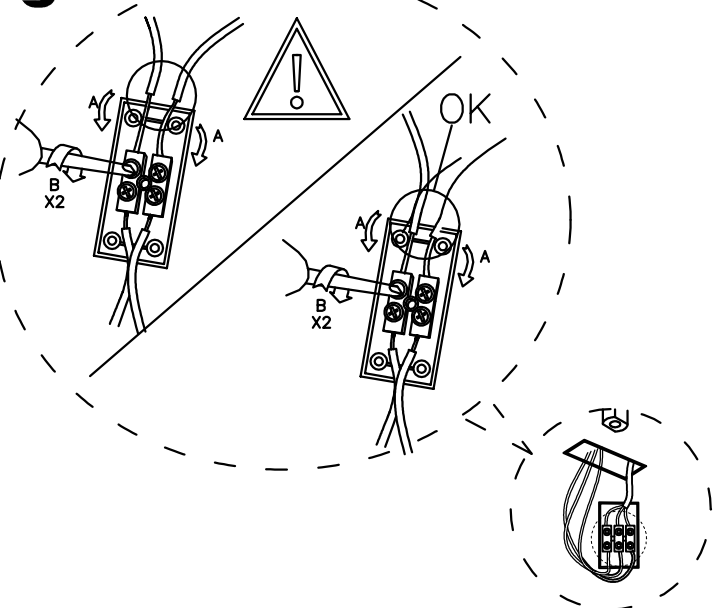
**1**



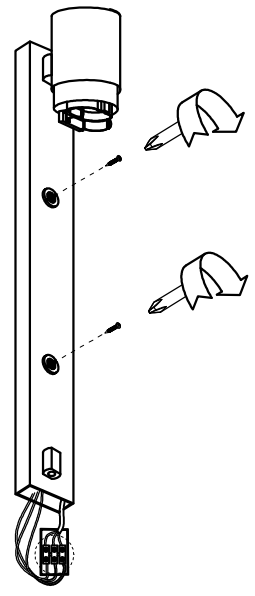
**2**



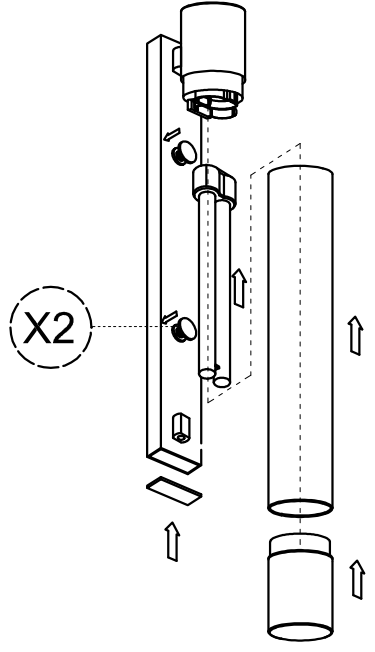
**3**



**4**



**5**



**6**

