





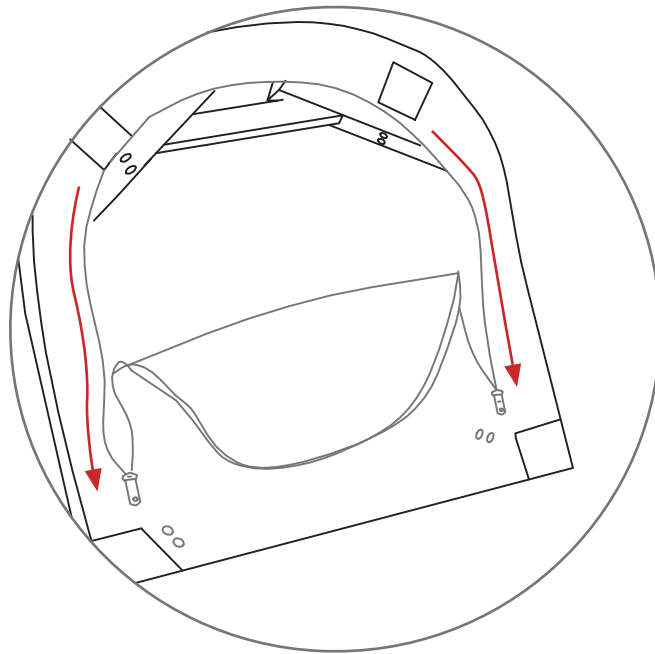


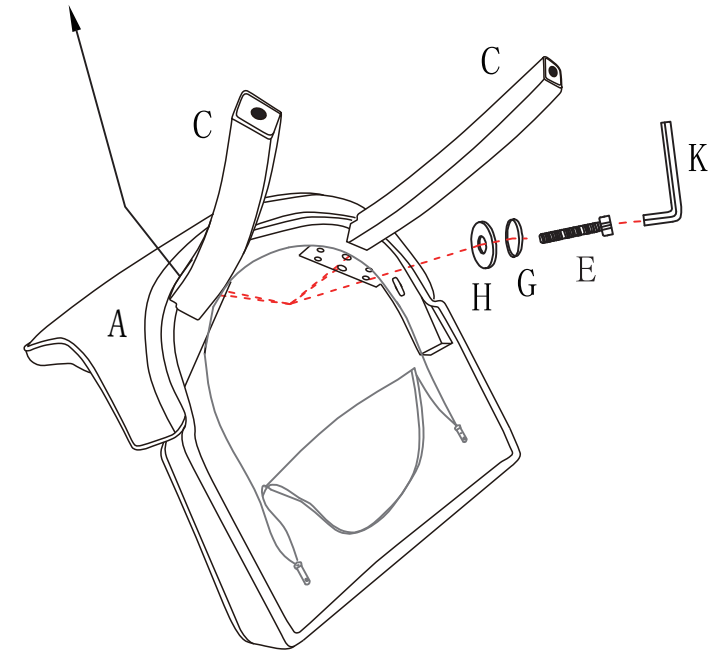
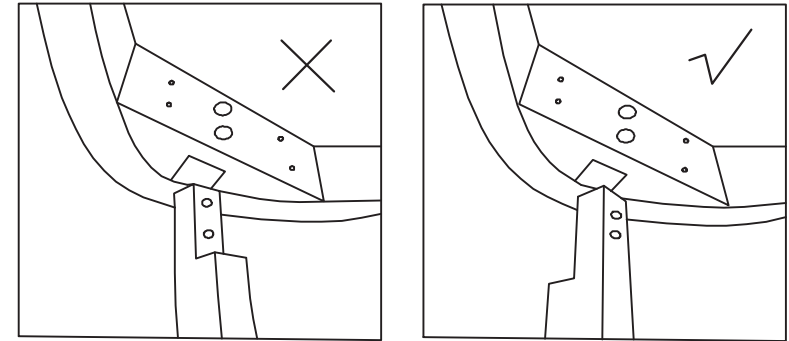
ASSEMBLY INSTRUCTIONS

Ax1	Chair 
Sx1	Seat Cushion 
Bx2	Front leg 
Cx2	Rear leg 
Dx4	Adjust cap 
Ex8	Screw M8*50mm
Gx8	Spring washer M8
Hx8	Flat washer M8*22mm
Kx1	Allen key 

① The legs are hidden under the seat frame



②



Tighten all the screws to 80% of maximum tightness

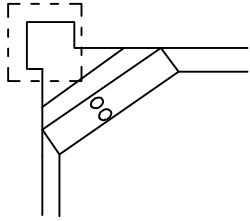
WARNING:

DO NOT STAND ON THE PRODUCT, DO NOT USE THIS PRODUCT AS A STEP LADDER.

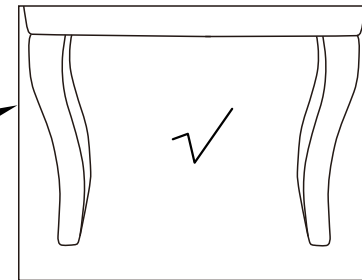
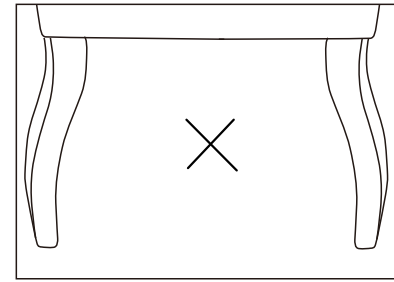
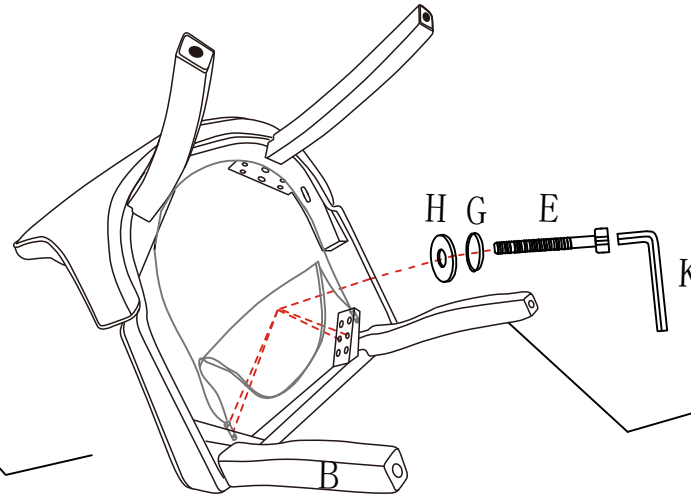
DO NOT USE THIS PRODUCT UNLESS ALL BOLTS, SCREWS AND KNOBS ARE FIRMLY SECURED.

PLEASE DO NOT USE KNIFE TO OPEN ANY PARTS OF THE BOX OR PRODUCT.

③

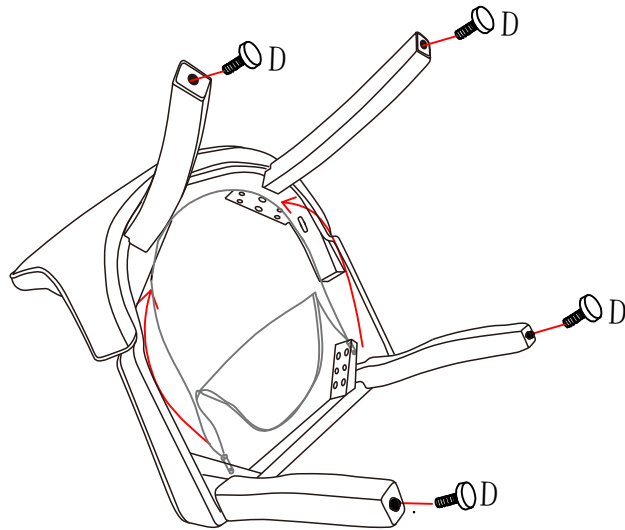


Put the front leg in the dotted box place, if you put it in the wrong place, it still can work, but the uneven force will cause the leg to break.



Tighten all the screws to 80% of maximum tightness

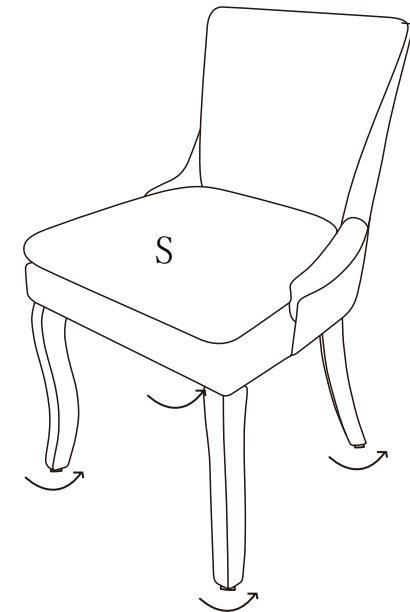
④



1. screw D into legs.
2. Carefully sit on the chair and make adjustments to ensure the legs are flat even on the floor.
3. Tighten all the screws to 100% of maximum tightness
4. Close the zipper of bottom Non-Woven fabric.

⑤

There are 4 small adjusters on the legs, ensure these are adjusted so the chair sits level.



Tighten one and loosen the other, to adjust to level.

