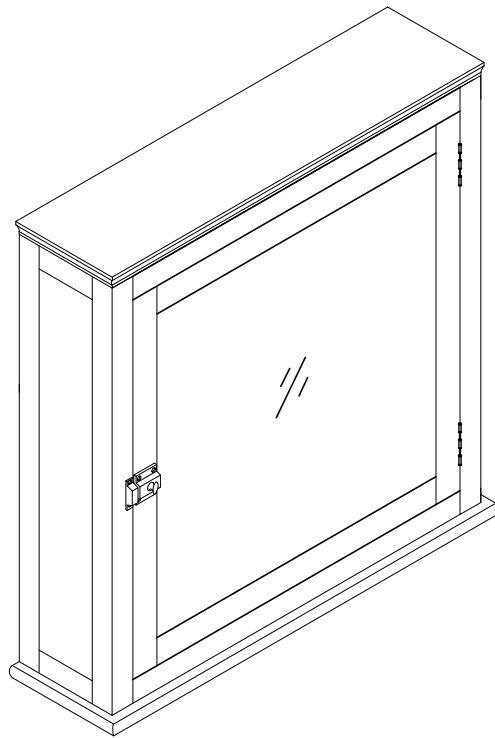


ASSEMBLY INSTRUCTIONS

Medicine Cabinet w/1Door



Please provide the following information when contacting for parts or questions: the name of the company you purchased from, the UPS/FedEx tracking number.

This product comes with a 1 year warranty. Products purchased second hand/used are not covered under the warranty.

ASSEMBLY INSTRUCTIONS-IMPORTANT

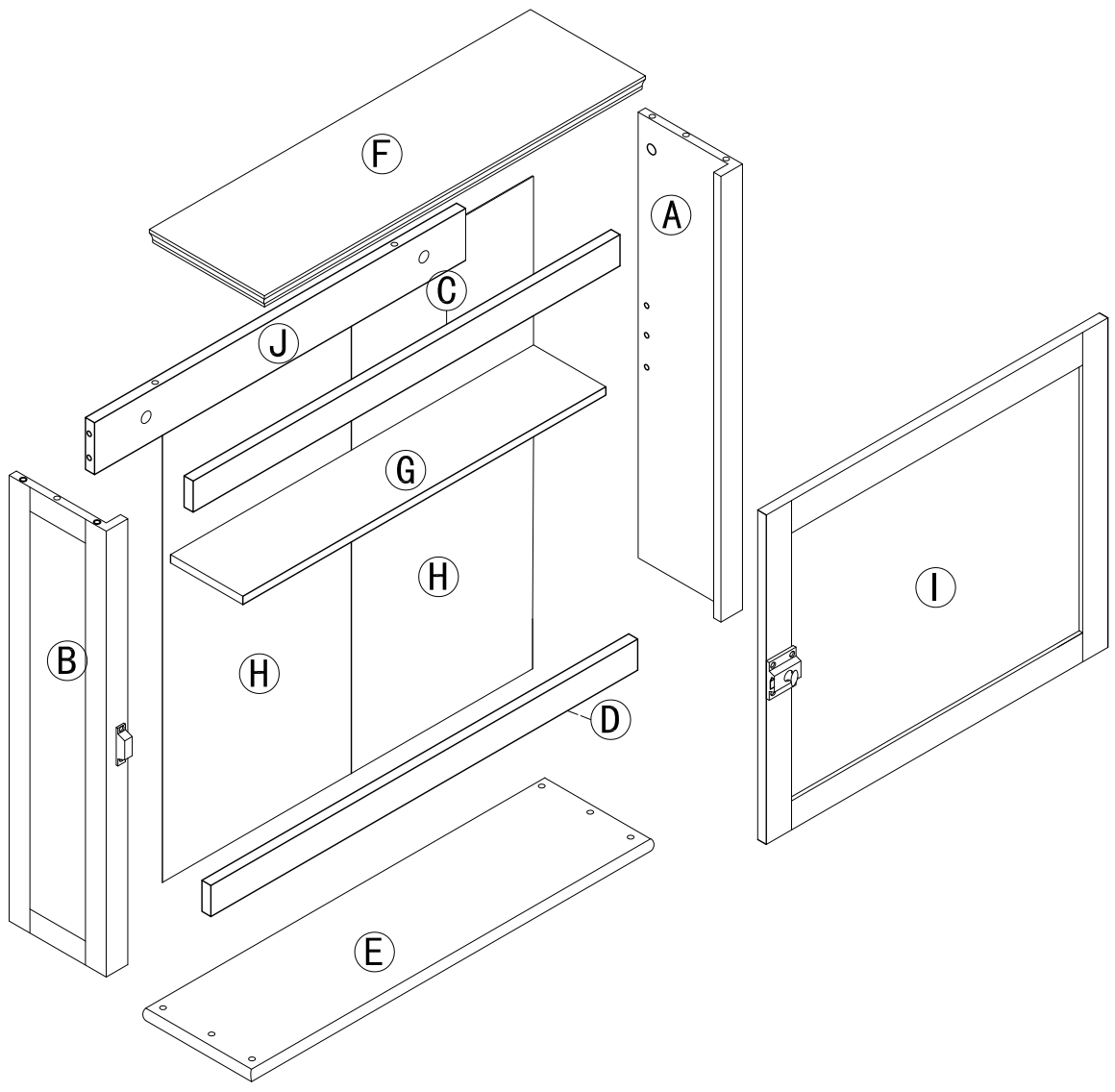
Carefully unpack & identify each component before attempting to assemble. Refer to parts list. Please take care when assembling the unit and always set the parts on a clean, soft surface. If you require any assistance with assembly, parts, please call the company you place order with or please email

INSTRUCCIONES PARA ARMAR-IMPORANT:




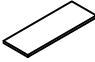



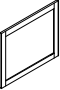
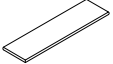

Desempaque cuidadosamente e identifique cada componente antes de tartar de empezar su ensambladura. Verifique la lista de partes. Por favor tenga cuidado cuando arme la unidad y siempre coloque las piezas sobre una superficie plana, suave y limpia. Si necesita ayuda con el armado, envíe un correo electrónico

DIRECTIVES DE MONTAGE-IMPORTANT:

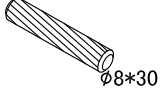
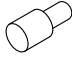
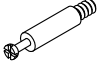


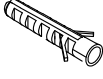

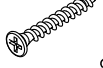
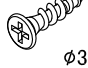


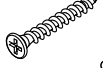
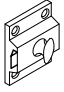
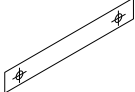
Avant de commencer l' assemblage, déballez délicatement toutes les pièces et repérez-les sur la liste des pièces. Procédez avec soins durant l' assemblage et posez toujours les pièces sur une surface proper, douce et lisse. sie vouo plait e-mail



COMPONENTS

PART	FIGURE	DESCRIPTION	QTY	PART	FIGURE	DESCRIPTION	QTY
A		RIGHT SIDE PANEL	1PC	F		TOP PANEL	1PC
B		LEFT SIDE PANEL	1PC	G		ADJUSTABLE SHELF	1PC
C		UPPER FRONT RAIL	1PC	H		BACK RANEL	2PCS
D		BOTTOM FRONT RAIL	1PC	I		DOOR	1PC
E		BOTTOM PANEL	1PC	J		UPPER BACK RAIL	1PC

HARDWARE & TOOLS

PART	FIGURE	DESCRIPTION	QTY	PART	FIGURE	DESCRIPTION	QTY
1	 $\phi 8 \times 30$	WOODEN DOWEL	14PCS	8		SHELF PIN	4PCS
2		CAM BOLT	8PCS	9		PLASTIC BAR	1PC
3	 $\phi 15 \times 9$	CAM LOCK	8PCS	10		ANCHOR	2PCS
4	 $\phi 3 \times 12$ D=7	SCREW	14PCS	11	 $\phi 4 \times 35$	SCREW	2PCS
5	 $\phi 3 \times 12$ D=6	SCREW	6PCS	13	 $\phi 3 \times 12$ D=5	SCREW	4PCS
6		LOCK CATCH	1PC	14	 $\phi 4 \times 25$	SCREW	1PC
7		LOCK	1PC			TEMPLATE PAPER	

TOOL NEEDED:



**PHILIPS SCREWDRIVER REQUIRED
- NOT INCLUDED**

SUGGESTION:



TWO PEOPLE FOR ASSEMBLING



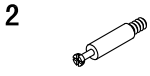
WARNINGS:

1. DO NOT LET ANY SHARP OBJECTS TOUCH OR RUB THE SURFACE OF THE PRODUCT.
2. WHEN ASSEMBLING, DO NOT LET CHILDREN PLAY AROUND THE WORKING AREA.
3. PLEASE CONFIRM ALL PARTS ARE CORRECT BEFORE STARTING THE ASSEMBLY PROCESS.
4. DO NOT TIGHTEN ALL BOLTS AND SCREWS COMPLETELY UNTIL THE ENTIRE UNIT HAS BEEN ASSEMBLED AND SET UP.

1



10 PCS

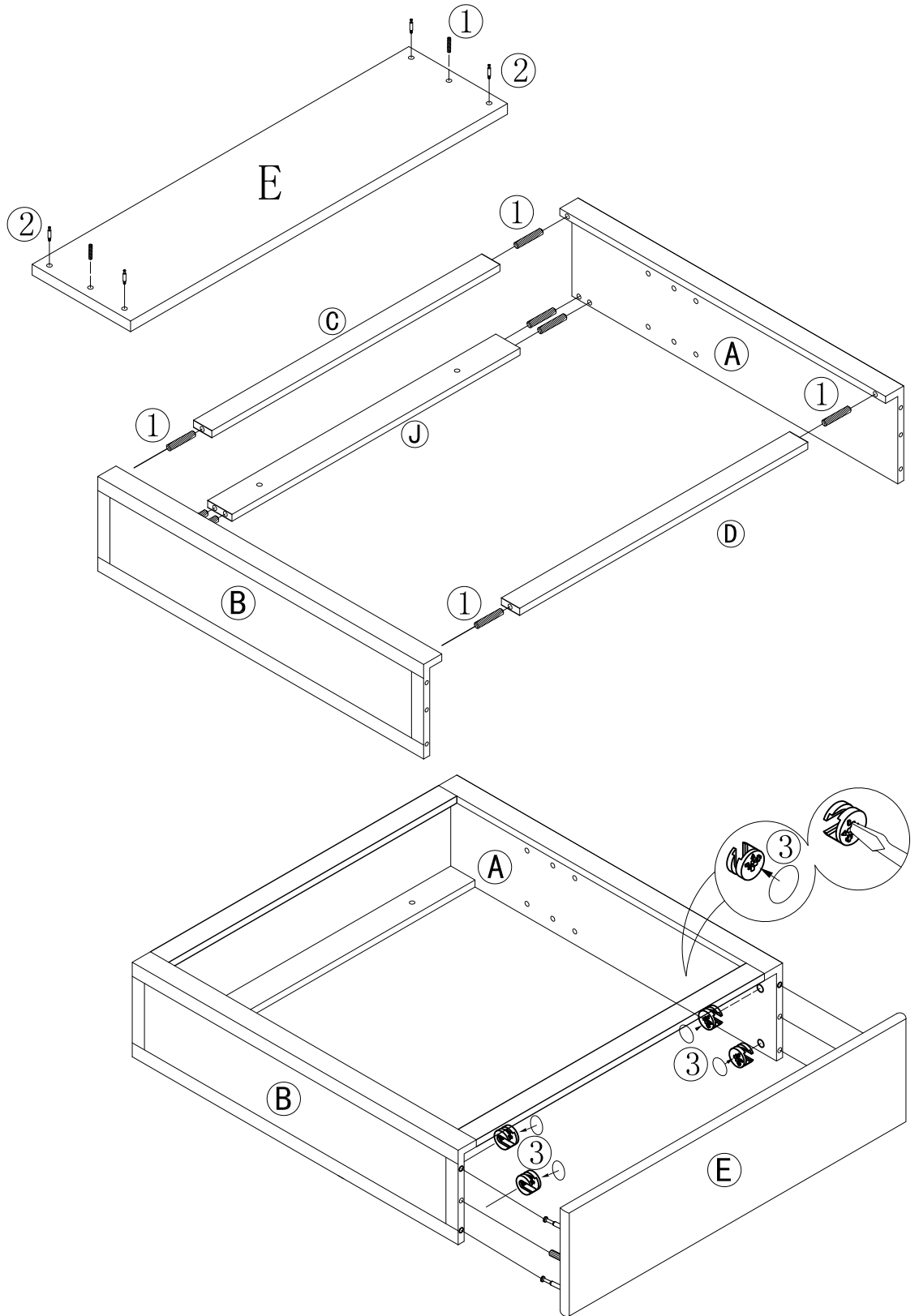


4 PCS



4 PCS

φ15*9



STEP 1:

1. Screw cambolts (2) & insert dowels (1) to panels E.
2. Attach rails C, D & J to panels A & B with dowels (1).
3. Attach panel E to panels A & B and secure with camlocks (3).

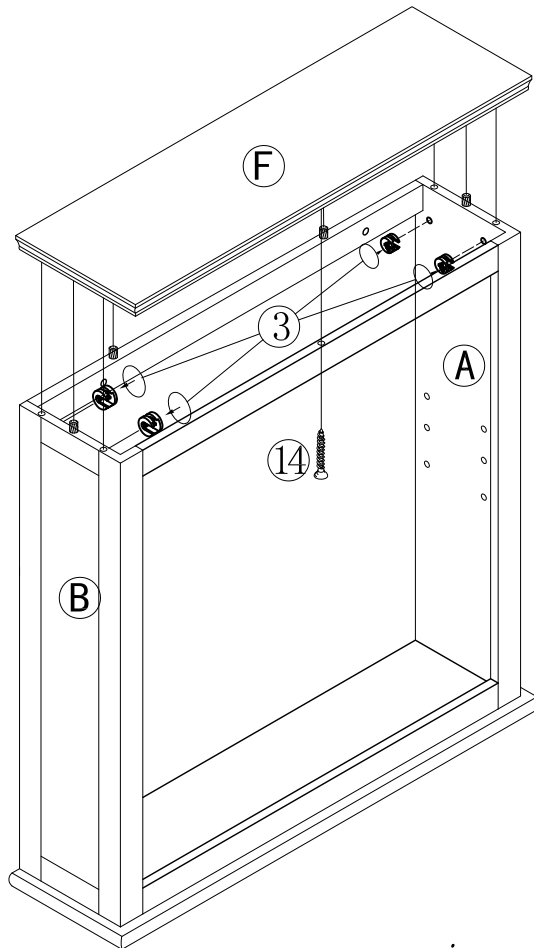
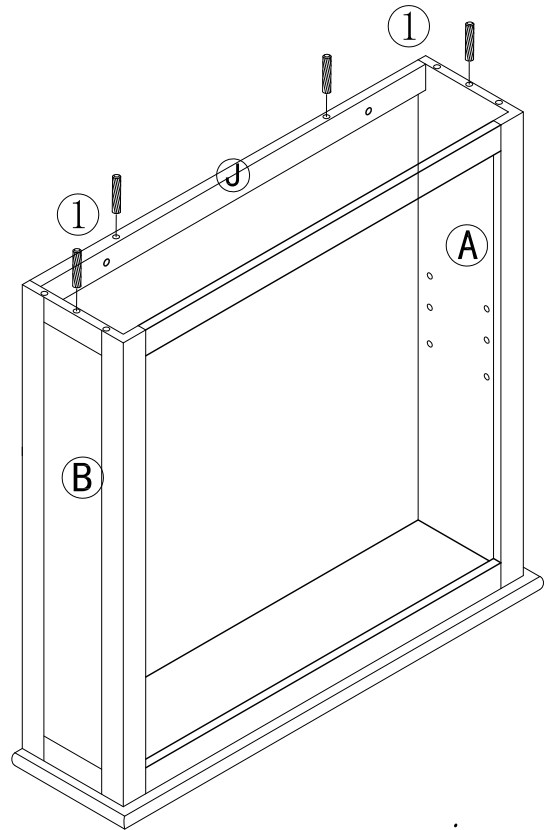
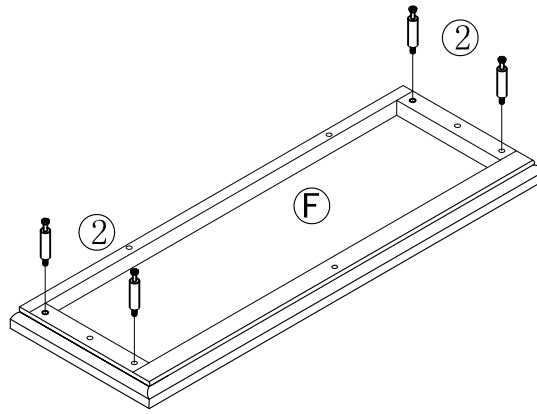
2

1
4 PCS

2
4 PCS

3
4 PCS $\phi 15 \times 9$

14
1 PC $\phi 4 \times 25$



STEP 2:

1. Screw cambolts (2) into panel F.
2. Insert dowels to the tops of panels A & B and rail J.
3. Attach panel F to panels A & B & rail J and secure with camlocks (3) & screw (14).

3

4

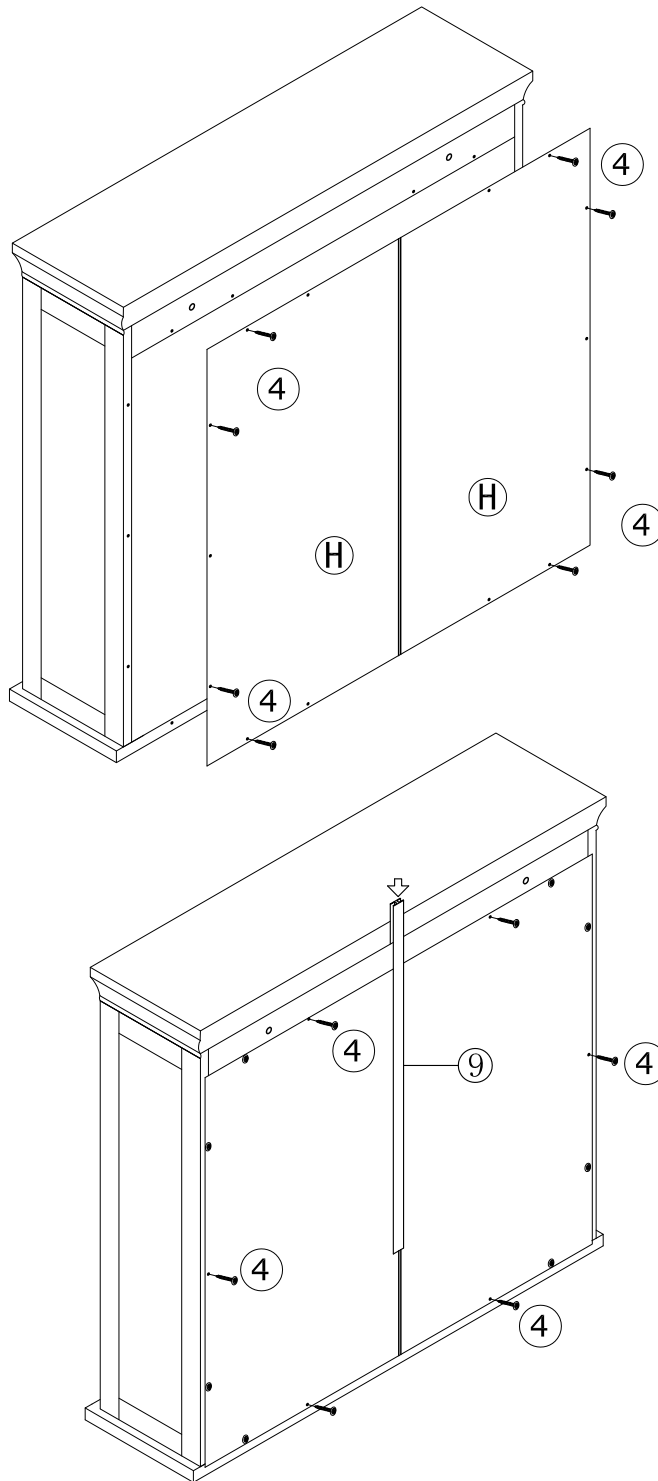


14 PCS $\phi 3 \times 12$ D=7

9



1 PC



STEP 3:

1. Attach back panels H to the cabinet and secure the four corners with screws (4).
2. Insert plastic bar (9) between back panels H and finish securing the back panels with screws (4).

4

5



6 PCS Ø3*12 D=6

6



1 PC

7



1 PC

8

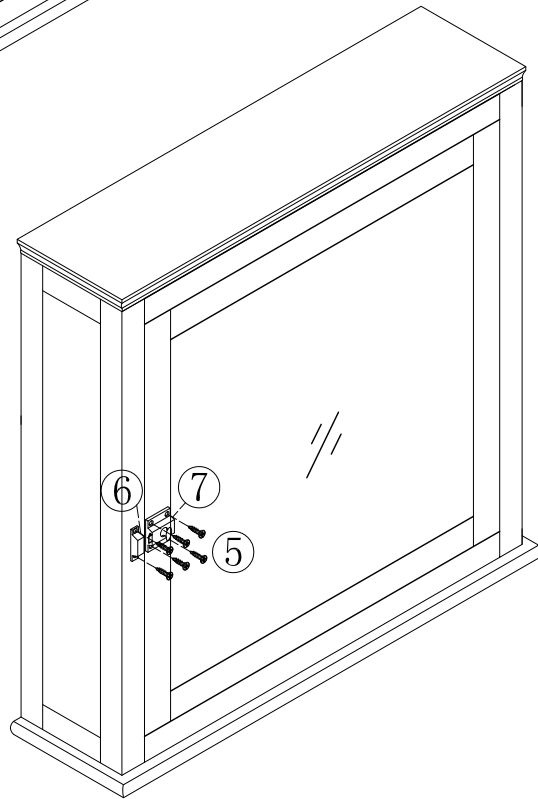
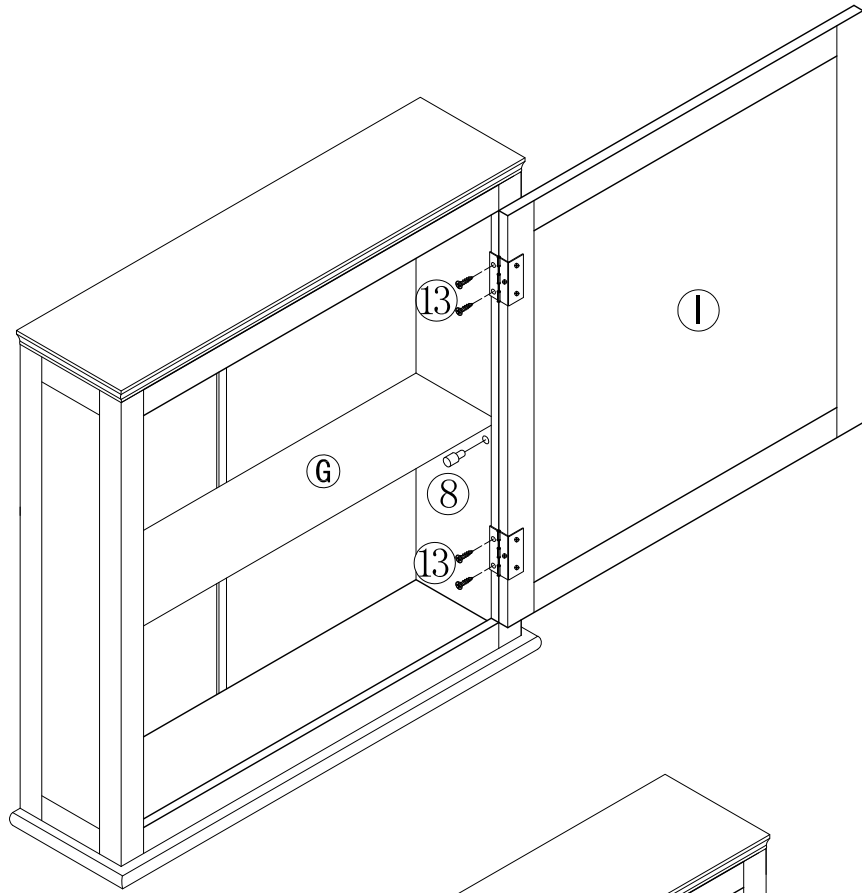


4 PCS

13



4 PCS Ø3*12 D=5



STEP 4:

1. Attach door I to the cabinet with screws (13).
2. Insert shelf pins 8) to panels A & B and rest shelf G on the shelf pins.
3. Attach latch (6 & 7) to the door and cabinet with screws (5).

5

10



2 PCS

11



2 PCS $\phi 4 \times 35$

