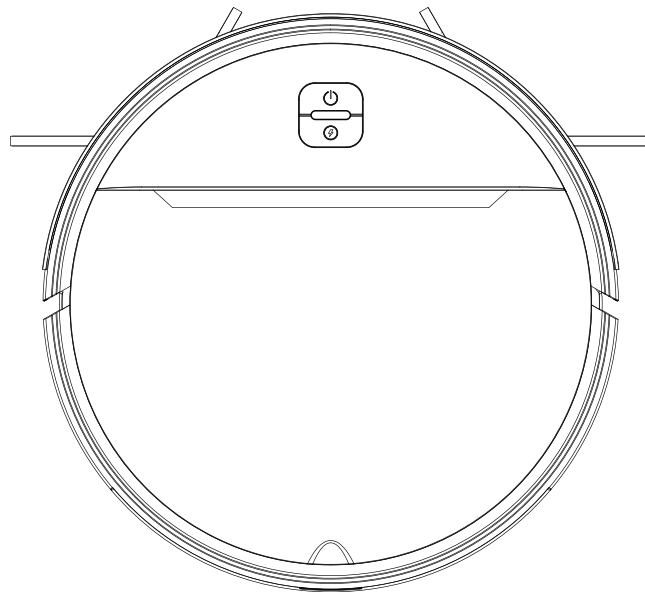


# Robot Vacuum Cleaner Instructions Manual



**Please read the manual carefully before using the product and keep it properly.**



## Safety Regulations:

If you encounter any problems during use, please contact our after-sales service center: EMAIL, and there will be professionals to answer your questions. Due to the need for continuous product improvement, this information product is subject to the actual product, and our company reserves the right to update the product.

### Note:

- 1.The problems that may occur during the cleaning of the product should be eliminated in time. Clean the power cords and small items on the ground to prevent the product from being blocked during the cleaning process. Fold the fringe of the carpet under the carpet, and make sure that the hanging curtains, tablecloths, etc. do not touch the ground.
- 2.If there is a hanging environment such as stairs, please test the product first to see if it can detect the edge of the hanging area without falling. A protective fence or other protective measures should be set at the edge of the suspended area to prevent the product from falling. Make sure that the fence or other fire prevention measures will not cause personal injury such as tripping.
- 3.Please follow the instructions in the manual to use the product. Only use product accessories recommended or sold by the manufacturer.
- 4.Make sure that the power supply voltage matches the voltage marked on the charging stand.
- 5.Ensure that the dust box, filter material etc are installed in place before using the product.
- 6.If the power cord is damaged, in order to avoid danger, it must be replaced by a professional from the manufacturer or maintenance department.
- 7.Please turn off the product switch before cleaning and maintaining the product.
- 8.The socket must be unplugged from the power socket before cleaning and maintaining the product.
- 9.Before discarding the product, please remove the product from the charging stand, turn off the power switch of the product and take out the battery.
- 10.If you do not use the product for a long time, please power off the product.
- 11.The product cannot be used by children under the age of 12 or people with mental disorders. If you need to use it, please do it under the supervision of a guardian. Please do not allow children to ride on the product or play with the product as a toy.
- 12.Use it only in an indoor home environment. Do not use it outdoors, commercial or industrial product.
- 13.Please do not use the product in the room where the baby sleeps.
- 14.Please do not use the product with a damaged power cord or power socket. Please do not use the product when it is dropped, damaged, used outdoors or cannot work normally due to water ingress. To avoid injury, the product should be repaired by the manufacturer or after-sales service.
- 15.Please follow the instructions in the manual to use the product. The company is not responsible for any loss and damage caused by improper use.
- 16.Do not place the product near cigarette butts, lighters and other smoldering fires.
- 17.Do not use this product in wet environment(eg:bathroom) .
- 18.To prevent tripping, please inform others of the house when this product works.
- 19.The temperature used for this product is 0 to 40 degrees Celsius. Do not use this product in high temperature environment.

### Warning:

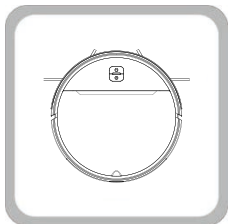
- 1.Only use the original battery and charging base specially equipped by the manufacturer, and it is strictly forbidden for users to change the battery and charging base privately. If you suspect that the battery or charging base is damaged, please contact the manufacturer's professionals for replacement.
- 2.It is forbidden to use the product in an environment with open flames or fragile objects.
- 3.It is forbidden to use in extremely hot (above 40° C) or extremely cold (below 0° C) environment.
- 4.It is forbidden for hair, clothes, fingers and other parts of the human body to approach the openings and operating parts of the product.
- 5.It is forbidden to use products on wet or stagnant ground.
- 6.It is strictly forbidden for the product to absorb anything that may block the product, such as stones, waste paper, etc.
- 7.It is forbidden for products to absorb any inflammable substances, such as petrol, toner and toner for printers or photocopiers. Prohibit the use of products in clean areas with flammable items.
- 8.It is forbidden for the product to absorb any burning items, such as cigarettes, matches, ashes and other items that may cause a fire.
- 9.It is forbidden to place objects in the mouthpiece. Do not use the product when the suction port is blocked. Clean up dust, lint, hair, etc. at the suction port to ensure smooth air circulation at the suction port.
- 10.Handle the power cord carefully to avoid damage. It is forbidden to use the power cord to drag the product and the product charging base. Do not use the power cord as a handle. It is forbidden to clamp the power cord in the door gap. It is strictly forbidden to pull the power cord at sharp corners and corners. It is forbidden to operate the product on the power cord, and the power cord should be kept away from heat sources.
- 11.Do not use damaged charging bases.
- 12.Even if the product is severely damaged, it is prohibited to burn the product, otherwise the battery of the product may explode.

# Table of Contents

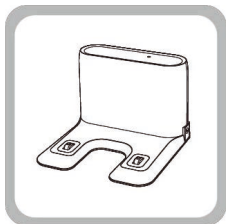
<b>1.Product Composition</b>	<b>3</b>
1.1 Package contents	3
1.2 Partname	4-5
<b>2.Use of the Product</b>	<b>6</b>
2.1 Precautions for product use	6
2.2 First prepare	7
2.3 Host charging	8
2.4 Install the water tank	9
2.5 Install the mop board	9
<b>3.Host Operation</b>	<b>10</b>
3.1 Power on	10
3.2 Cleaning mode and usage settings	11-12
<b>4.Maintenance of Accessories</b>	<b>13</b>
4.1 Dust box and filter	13-14
4.2 Water tank filter cotton	15
4.3 Charging pole piece, Anti-drop Sensors, Driving wheel and Universal wheel	16
<b>5.Light Indication</b>	<b>17</b>
5.1 Troubleshooting	18
5.2 Product specifications	19
5.3 Security Information	20

# 1.Product Composition

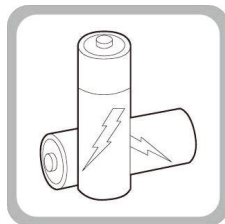
## 1.1 Package contents



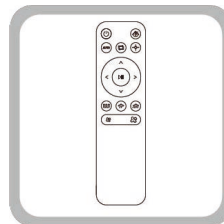
Robot Vacuum



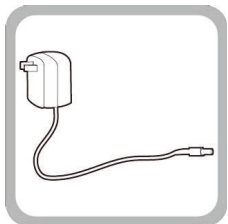
Charging Base



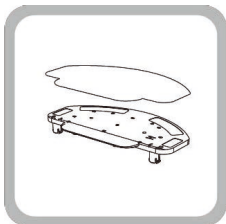
2 AAA batteries for Remote Control



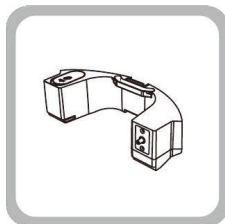
Remote Control



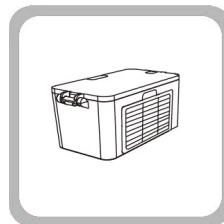
Adapter



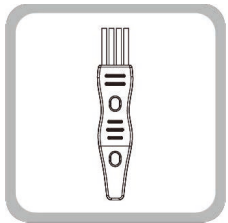
Mop Accessories



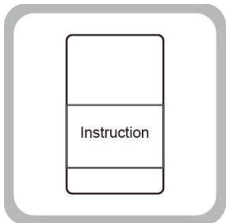
Water Tank



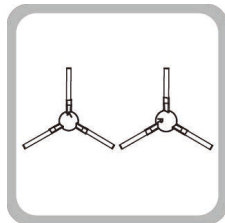
Dust Box & Fifter



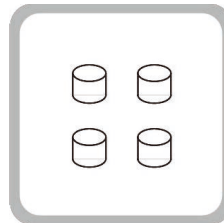
Cleaning Brush



Instruction Manual



2 Side Brushes

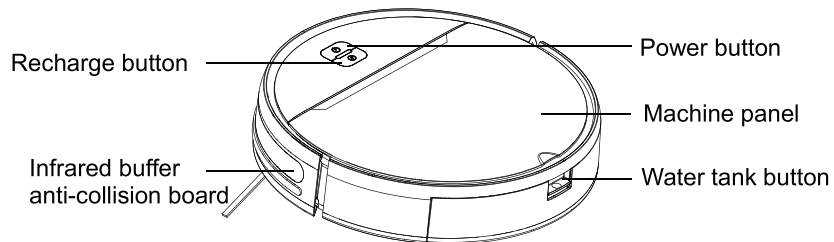


4 Water Tank Filter Cottons

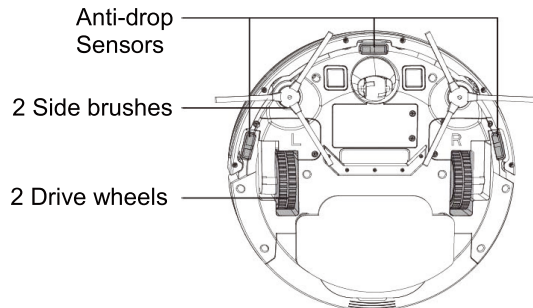
## 1.2 Part name

(1)About the host

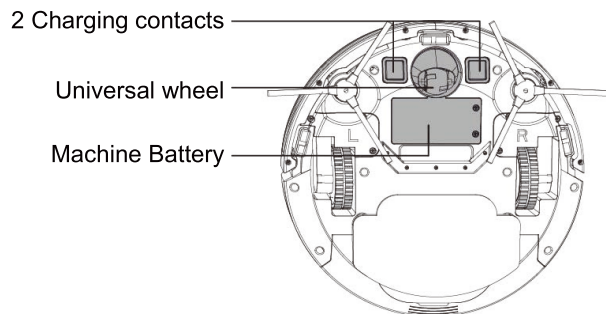
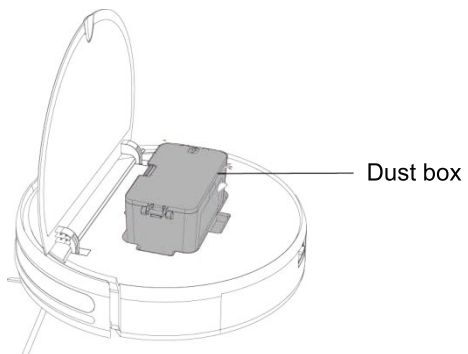
**a.Front of the host**



**b.The back of the main unit**

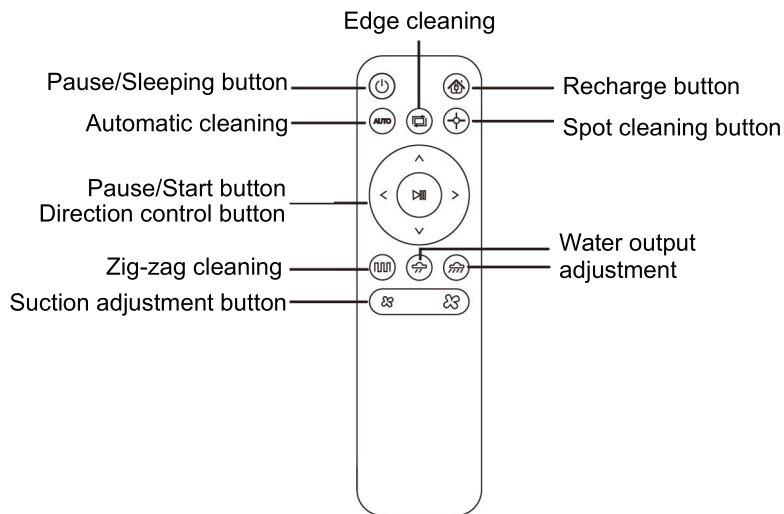


**c.Open this panel**



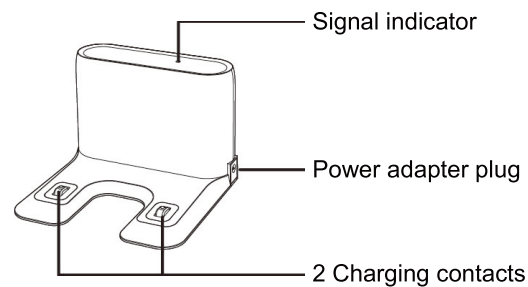
## (2) About the remote control

### a. Remote control

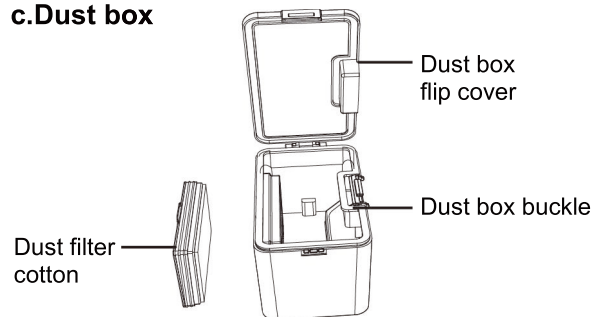


## (3) About the accessories

### b. Charging base

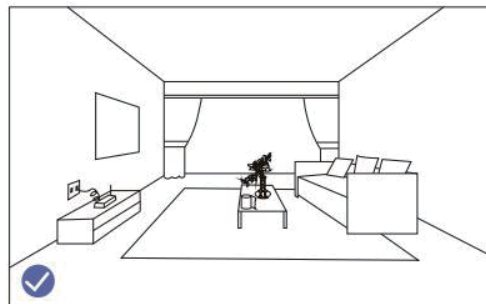
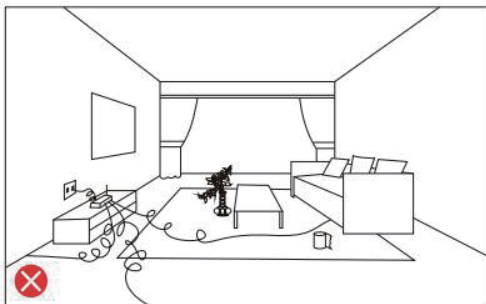


### c. Dust box

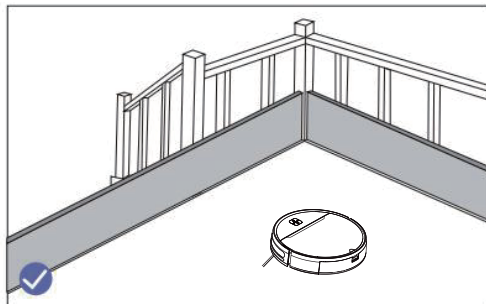
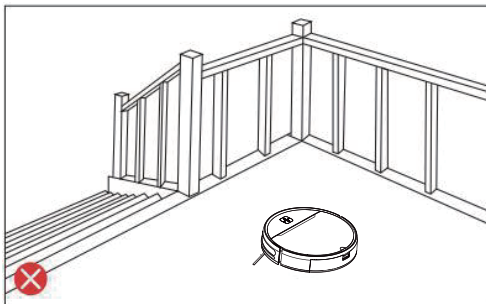


## 2. Use of the Product

### 2.1 Precautions for product use



Before using Robot, pick up objects like clothing, loose papers, pull cords for blinds or curtains, power cords, and any fragile objects. If the Robot passes over a power cord and drags it, there is a chance an object could be pulled off a table or shelf.

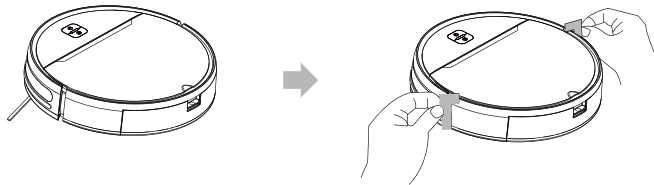


If the room to be cleaned contains a balcony, a physical barrier should be used to prevent access to the balcony and ensure safe operation.

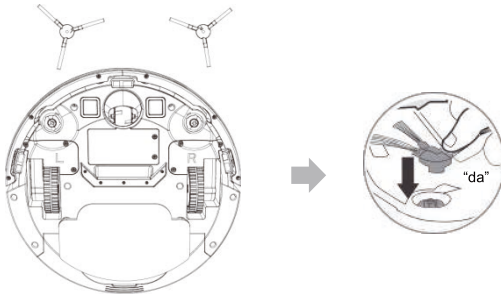
## 2.2 First prepare

### Remove shield:

Please remove the protective materials on the main unit and charging base before use



Install the side brush correctly

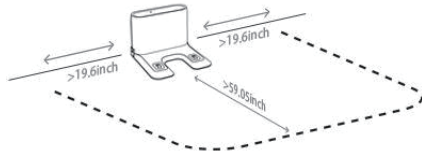


## 2.3 Host charging

### a. Find a suitable location to place the charging base

After connecting the charger, the indicator light on the charging stand will be always on.

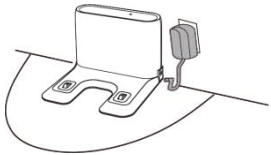
Place the charging base on a flat ground against the wall. Do not place objects within 20 inches to the left and 60 inches in front.



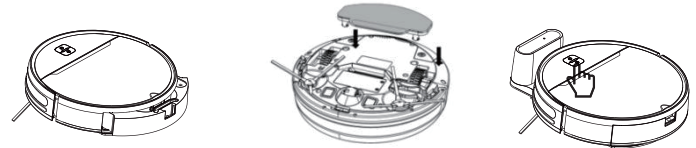
#### TIPS:

If there is a mirror or other reflective objects near the charging base, you need to cover the 3 inches of the bottom part.

### c. Connect the power supply



### b. First take out the water tank and the mop board, then turn on the main unit to charge



1. Take out the water tank

2. Remove the mop board

3. Turn on the main unit to charge

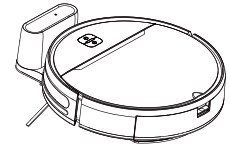
### d. Place the host on the charging stand to charge

(The indicator light flashes during charging. Flashing; the indicator light is always on when fully charged. The charging time is about 5 hours)

When the machine is cleaning, the host can sense that its own power is insufficient, automatically start to return to the charging mode, and automatically find the charging dock to charge. You can also use the remote control's return to charge button to instruct the host to start returning to the charging mode.

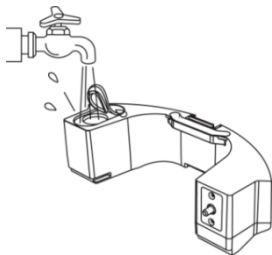
#### TIPS:

If there is a mirror or other reflective objects near the charging base, you need to cover the 3 inches of the bottom part.

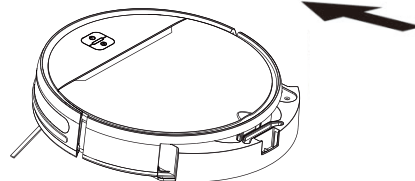


## 2.4 Install the water tank

a. Open the water tank plug and inject clean water.



b. Cover the water tank plug and install the water tank back to the host.

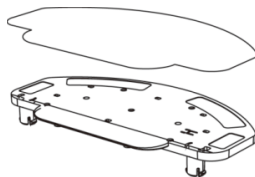


## 2.5 Install the mop board

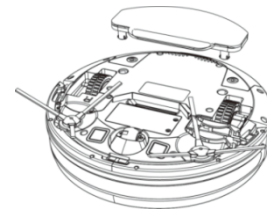
a. Please wet the cloth completely and install it on the mop board



b. Nest the white edge of the mop on the mop board



c. Install the mop board on the host



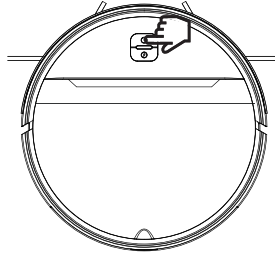
### TIPS:


1. Before using the mopping function, be sure to install the mopping board to the designated position .
2. Please do not use the mopping function on the carpet, this will cause the mopping to fail.
3. Please be sure to remove the mop accessories when using the vacuum function.


## 3.Host Operation

### 3.1 Power on

Press and hold the power button for 2-3 seconds while in the off state to power on the device.



**(1)Pause:** Press the power button on the device or pause button. 

**(2)Awakening:** The device will enter sleep mode after 10 minutes of standby. Press the power button on the device or  on the remote control to resume cleaning.

**(3)Power off:** Please pause the operation first if the machine is currently running, then press and hold the power button. At this point, the indicator lights on the device will go off, indicating successful shutdown.

#### TIPS:


1. Please ensure that the machine is fully charged for the initial use.
2. It is recommended not to manually power off the machine after each use. Instead, place the machine on the charging dock to maintain a charged state for the next use.

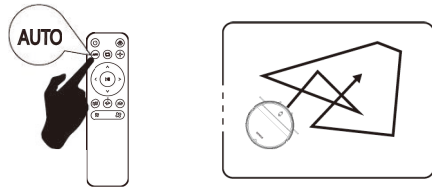
## 3.2 Cleaning mode and Usage settings

### a. Automatic cleaning

The Robot Vacuum performs random cleaning for 90 minutes, and automatically recharges after the cleaning is completed.

**Setting method:**

In standby mode, short press the start/pause button, or the  button on the remote control, the robot enters the Automatic cleaning mode.




### c. Edge Cleaning

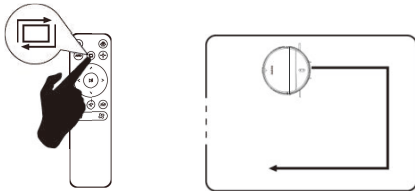
The Robot Vacuum and the wall shall be cleaned along the wall at a distance of less than 0.8 inch.

**Applicable scenario:**

The host cleans the periphery of the indoor fixed objects (such as walls, table corners, etc.), and returns to the charging dock after working along the edges.

**Setting method:**

In standby mode, press  on the remote control, the robot enters the Edge Cleaning mode.




### b. Spot cleaning

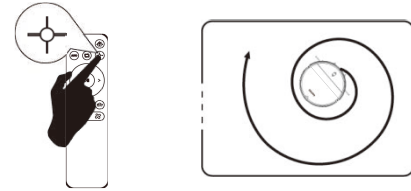
First, clean in a spiral clockwise from the inside to the outside. After the maximum radius is 24 inches, clean in a spiral from the outside to the inside, and finally return to the starting position and finish the cleaning.

**Applicable scenarios:**

suitable for ground environments where garbage is concentrated.

**Setting method:**


In standby mode, press  on the remote control, the robot enters the Spot cleaning mode.

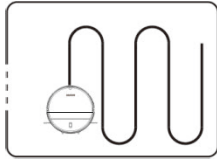


#### d. Zig-zag Cleaning

The robot runs in a Zigzag route for up to 197 inches per operation.

##### Setting method:

In standby mode, press  on the remote control, the robot enters the Zig-zag Cleaning.




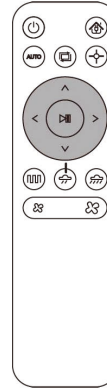
#### e. Manually control cleaning

##### Applicable scene:

Usable for human control cleaning.

##### Setting method:

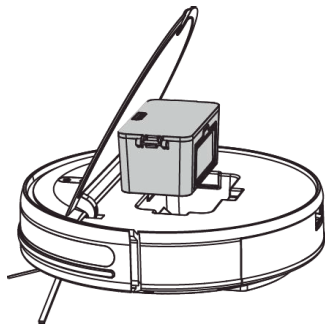
Press  to control the movements of the machine.



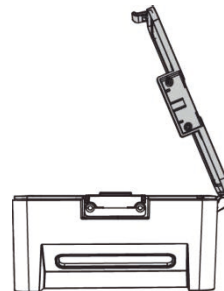
## 4.Maintenance of Accessories

### 4.1 Dust box and filter

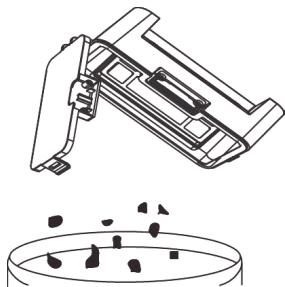
a. Flip the panel and press the buckle to release dust bin



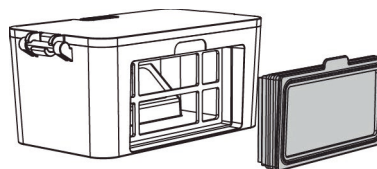
b. Open the dust box lid



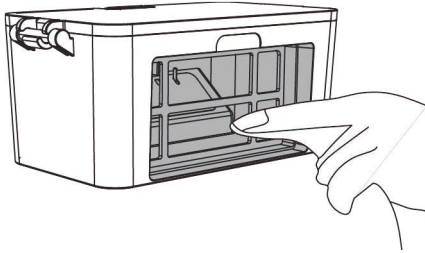
c. Dump out the trash in the dust box



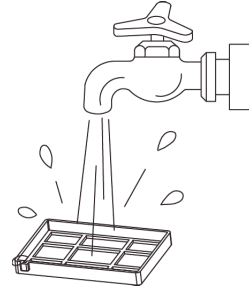
d. Remove the filter



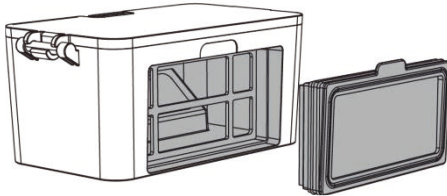
e. Wipe the dust box clean



f. Rinse the filter with clean water



g. Place the dust bin and washed filters in a cool dry place until they're completely dry in case of a glue failure.

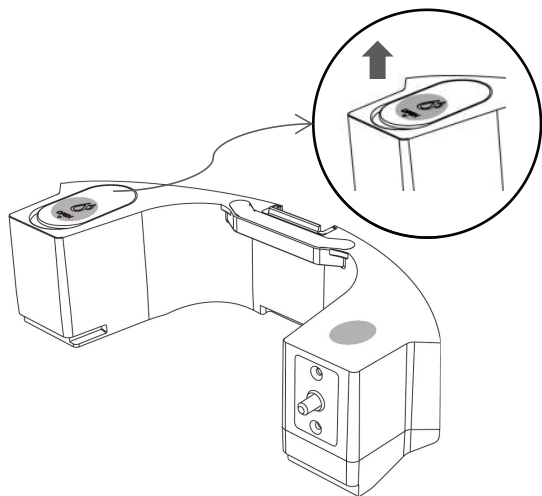


**TIPS:**

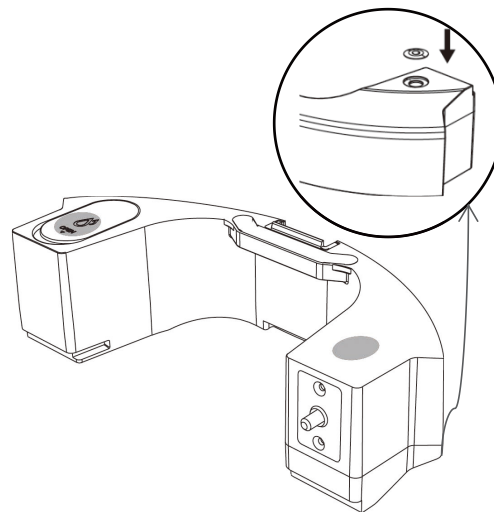
1. Performing the maintenance procedures every 15-30 days would be appropriate.  
The effective period of filter lasts 3 months for day-to-day usage.
2. The suction would automatically turn to the lowest mode when activating the moping feature at the same time.  
The moist dust might not be sucked into the dust bin if it's too large for the machine to take in.
3. The mop and vacuum features are able to be activated at the same time. Leave the mop pad on the machine won't affect the normal use if vacuum feature was activated individually.

## 4.2 Water tank filter cotton

a. Pull up to remove the water tank filter cottons by hand



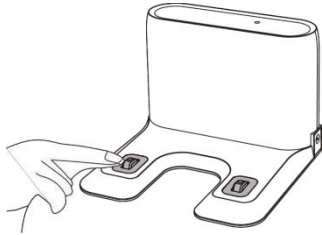
b. Replace with 2 new filter cottons



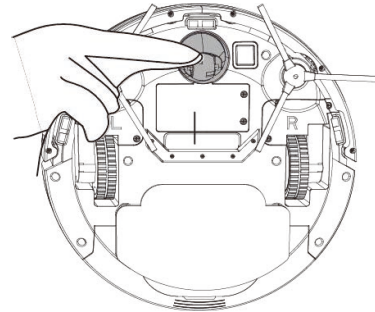
## 4.3 Charging pole piece, Anti-drop Sensors, Drive wheel and Universal wheel

Note: The charging electrode, Anti-drop Sensors and bumper contain sensitive electronic components. Use a dry cloth to clean the parts. Do not use a wet cloth in case water enters the parts and causes damage

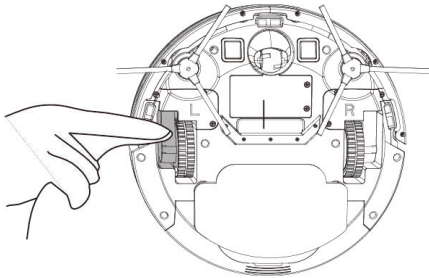
a.Cleaning the charging electrode



b.Cleaning the Drive wheel and universal wheel



c.Cleaning the lower visual



### TIPS:

- 1.If you won't be using the machine for an extended period, please fully charge it and then press and hold the power button to shut it down. We recommend charging the machine every three months to prevent the battery from completely discharging, which could lead to difficulty in turning it on.
- 2.If the battery is over-discharged or is not used for a long time, the product may not be rechargeable. Contact after sales service personnel of the company for maintenance, Do not disassemble the product.

## 5.Light Indication

Robot has two light indication, the upper is power and the under is recharging. Light has three color: red, green and yellow. Light status have lights off, lights always on, quick flash and slow flash.

Item	Contents	Definition of light			
		Power		Recharging	
		Color	Status	Three color	Status
1	Power on	Green	Lights always on		Lights off
2	Power off		Lights off		Lights off
3	Cleaning	Green	Lights always on		Lights off
4	Recharging	Green	Lights always on	Yellow	Lights always on
5	Low battery recharge	Green	Lights always on	Red	Lights always on
6	During Charging	Green	Lights always on	Green	Slow flash
7	Charging finished	Green	Lights always on	Green	Lights always on
8	Abnormal warning	Red	Quick flash		Lights off
9	Standby mode	Green	Lights always on		Lights off
10	Sleeping mode		Lights off		Lights off
11	Low battery	Red	Quick flash		Lights off
12	Not calibrated	Red	Quick flash	Red	Quick flash
13	Calibrated	Green	Lights always on		Lights off

## 5.1 Troubleshooting

<b>Serial number</b>	<b>Fault content</b>	<b>Fault tone</b>		<b>Fault handling method</b>
		<b>Bass(beep)</b>	<b>Treble(beep)</b>	
1	Bumper abnormal	0	1	Please check whether the bumper can rebound normally?
2	Anti-drop Sensors abnormal	0	2	Please clean the anti-drop sensor or change the location and start again!
3	Abnormal charging/poor battery life	0	3	Please make sure to use the original adapter to charge and try to recharge the machine for 5 hours!(Keep the charging contact normal)
4	Battery is low	1	1	Please put the machine back on the charging pile to charge!
5	Robot vacuum was stucked	1	2	Please use the machine in an open place!
6	Side brush was stucked	2	1	Please check whether there is any foreign matter entangled in the side brush and clean the foreign matter before starting!
7	The wheels was stucked	2	2	Please check whether there is any foreign matter entangled in the wheel and clean the foreign matter before starting!
8	Fan abnormal	2	3	Please check if the fan port is blocked or the dust box is full!
9	Encoder abnormal	2	4	Please try to restart the machine!

**Our Robot Vacuum have a one-year warranty. If you have any questions, please contact us.**

## 5.2 Product specifications

Category	Item	Specification
	Diameter	300 mm
	Height	74 mm
Structure	Net weight	2.5 kg
	Voltage	14.4 V
Battery	Dust box capacity	200 ml
Cleaning parameters	Charging type	Auto charging and manual charging
	Cleaning mode	Auto cleaning; Spot cleaning; Edge cleaning
	Charging time	About 300 minutes
	Cleaning time	About 130 minutes
	Rated power (W)	28 W
Main unit	Operating voltage (V)	14.4 V

\* Due to the continuous improvement of the product, the product specifications are subject to the actual product. Our company reserves the right to update the product.

## 5.3 Security information

Component Type	Hazardous Substance					
	Lead (Pb) and its compounds	Mercury (Hg) and its compounds	Cadmium (Cd) and its compounds	Hexavalent chromium (Cr(VI)) and its compounds	Polybrominated biphenyls (PBB)	Polybrominateddiphenylether (PBDE)
Plastic parts	<input type="radio"/>	<input type="radio"/>	<input type="radio"/>	<input type="radio"/>	<input type="radio"/>	<input type="radio"/>
Metal parts	<input checked="" type="radio"/>	<input type="radio"/>	<input type="radio"/>	<input type="radio"/>	<input type="radio"/>	<input type="radio"/>
Circuit module of the main unit	<input checked="" type="radio"/>	<input type="radio"/>	<input type="radio"/>	<input type="radio"/>	<input type="radio"/>	<input type="radio"/>
Electronic component	<input type="radio"/>	<input type="radio"/>	<input checked="" type="radio"/>	<input type="radio"/>	<input type="radio"/>	<input type="radio"/>
Battery	<input type="radio"/>	<input type="radio"/>	<input type="radio"/>	<input type="radio"/>	<input type="radio"/>	<input type="radio"/>
Power cord (Metal part)	<input checked="" type="radio"/>	<input type="radio"/>	<input type="radio"/>	<input type="radio"/>	<input type="radio"/>	<input type="radio"/>

○: It means that the content of the hazardous substance in all homogeneous materials of the part is below the limit requirement specified in the currently valid edition of the EU RoHS Directive.

X: It means that the content of the hazardous substance in at least one of the homogeneous materials of the component exceeds the limit requirement specified in the currently valid edition of the EU RoHS Directive. The content of the hazardous substance in the component is in the RoHS exemption list, and meet the environmental protection requirements of the EU RoHS Directive.



Standard compliance:



Directive 2011/65/EU and (EU) 2015/863

