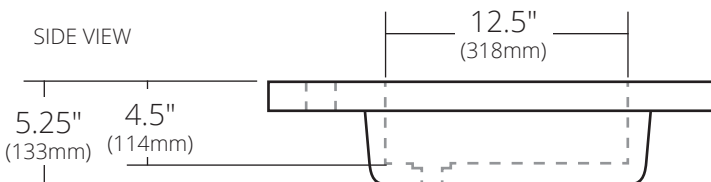
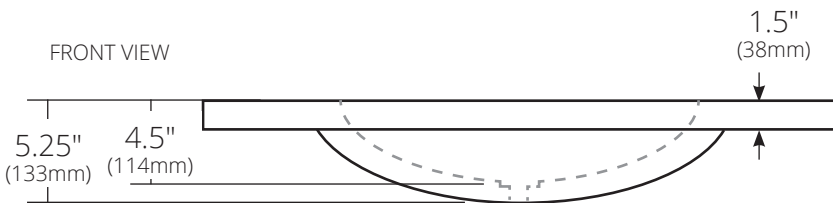
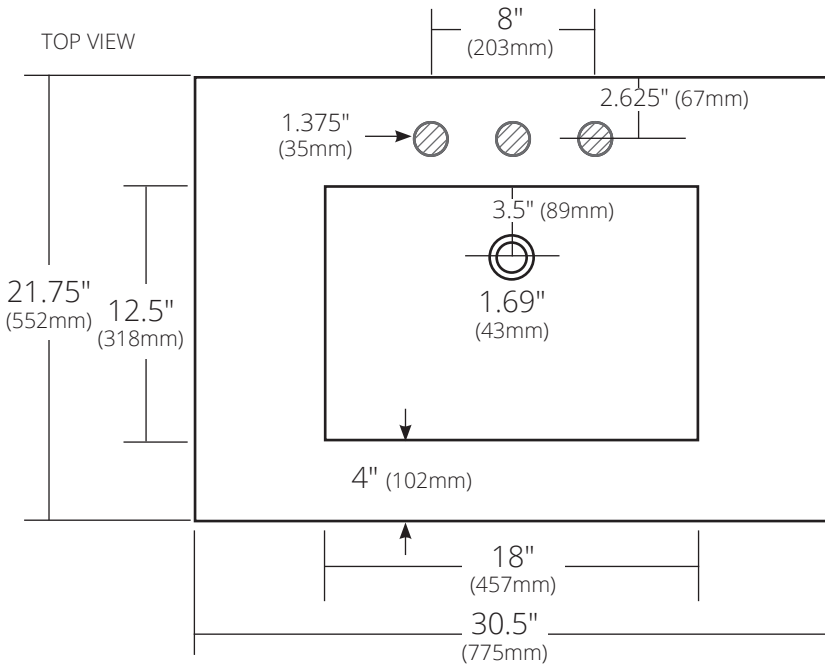
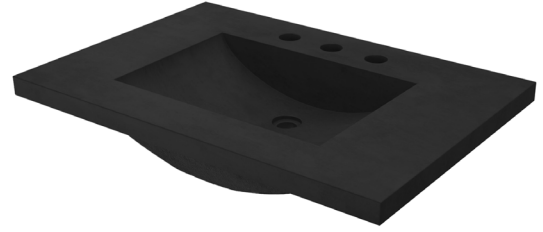


SPECIFICATIONS

30" PALOMAR VANITY TOP WITH INTEGRAL SINK

NativeStone® Collection



- | | |
|---|---|
| <ul style="list-style-type: none"> ● 8" Faucet Spread NSVNT30-A Ash NSVNT30-C Charcoal NSVNT30-D Sand NSVNT30-E Earth NSVNT30-S Slate NSVNT30-P Pearl | <ul style="list-style-type: none"> ● Single Faucet Hole NSVNT30-A1 Ash NSVNT30-C1 Charcoal NSVNT30-D1 Sand NSVNT30-E1 Earth NSVNT30-S1 Slate NSVNT30-P1 Pearl |
|---|---|

PRODUCT DETAILS

- 30.5" x 21.75" x 5.25" OD (775mm x 552mm x 133mm)
- Basin 18" x 12.5" x 4.5" (457mm x 318mm x 114mm)
- 1.69" (43mm) drain opening for a 1.5" drain
- Pre-drilled for 8" (203mm) faucet spread or single faucet hole
- Handcrafted from sustainable NativeStone
- Sealed with impermeable nano sealer
- Weight: approx. 54lbs

COORDINATING PRODUCTS

- Drains: DR120, DR130 or DR150
- NativeStone Sheild™

STANDARDS COMPLIANCE

- UPC/cUPC compliant
- **ADA COMPLIANT**

IMPORTANT

Do NOT use tape or other adhesives on NativeStone as it may remove the sealer.

Due to the handcrafted nature of this product, it will vary in finish, texture, and other details. Dimensions may vary up to 1/4" (6mm).