



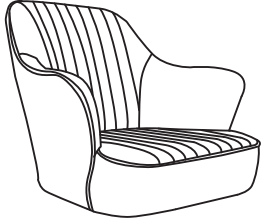
INSTRUCTION

SKU : A02-SF-001-BGE-GN

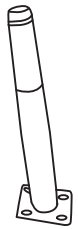


Scan the QR code to view the assembly video.

Ax1



Bx4



Cx16

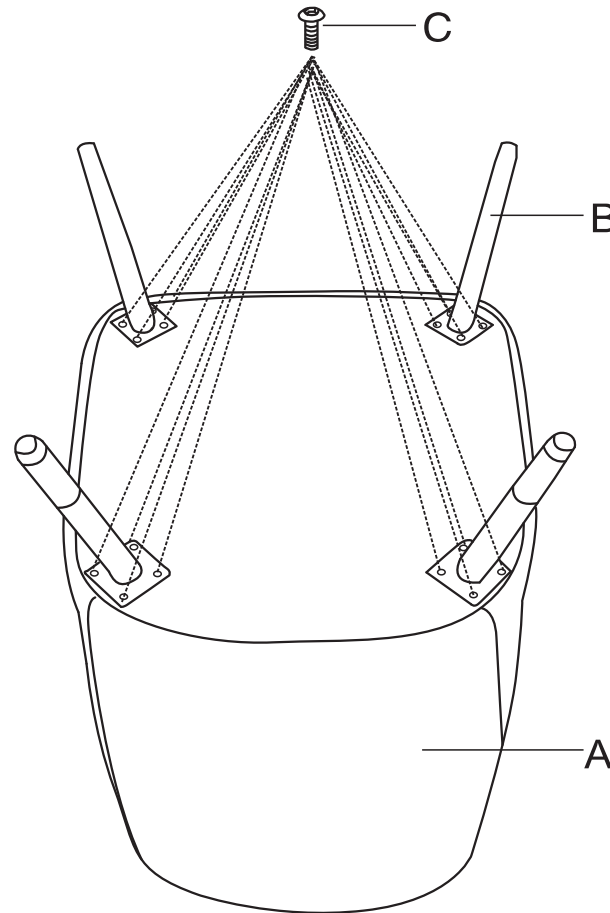


M6x20mm

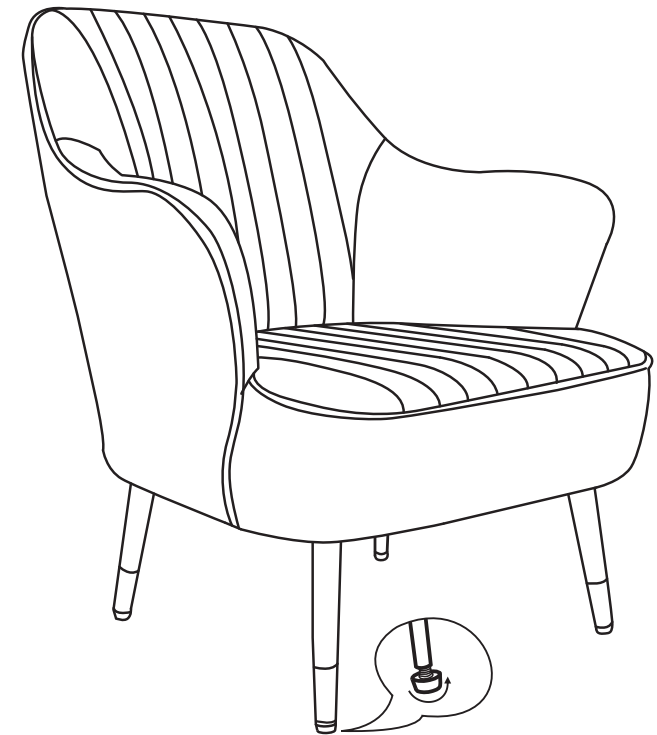
Dx1



1



2



ADJUSTABLE PIN