



# INSTALLATION AND SAFETY INSTRUCTIONS

Model No. : 16020, 16035

NOTE: ALWAYS TURN POWER OFF BEFORE INSTALLING LIGHTING FIXTURES!

**WARNING** – Follow the instructions carefully to assure full compliance with N.E.C. requirements. If there are any questions, contact a qualified electrical contractor.

**CAUTION** – All glass is fragile, use care when handling glass component(s) and or lamp(s).

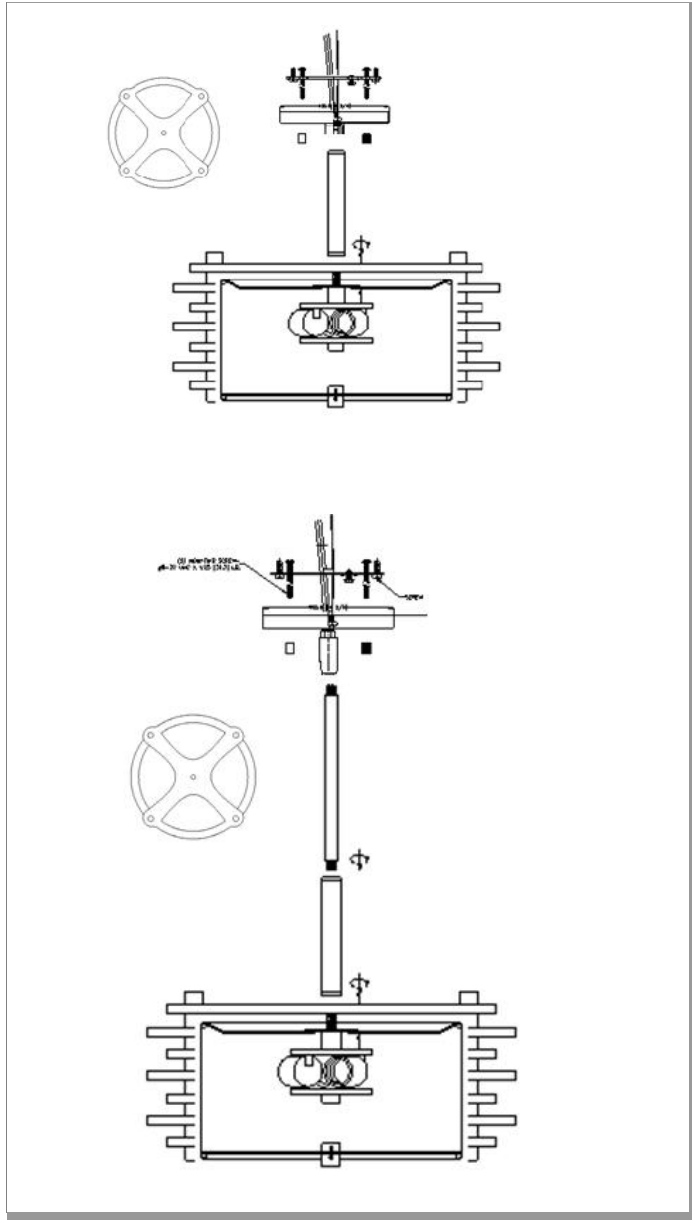


Figure A

## Installation (see Figures A and B)

1. Turn off power.
2. Assemble mounting screws into threaded holes in mounting bar.
3. Attach mounting bar to outlet box. (Screws not provided)
4. Follow the illustration steps in the assembly drawing to put the Supply Wire through Steel Tube all the way to Plastic Buckle and lace it through "8" Buckle.
5. Make wire connections (connectors not provided.)
6. Push fixture to ceiling, carefully passing mounting screws through holes.
7. Secure fixture to ceiling with mounting ball.

## Wiring (see Figures C )

1. Split the conductors of the fixture wire about 4 inches. Be careful not to expose any of the wire inside of the insulation.
2. Connect the fixture ground wire to the outlet box ground wire using wirenut (not provided). Connect outlet box ground wire to mounting bar with GREEN hex-head ground screw to tapped hole in mounting bar marked "GND".
3. Connect the half of the fixture wire that is white, marked, or has a ribbed surface to the outlet box supply wire (WHITE). Connect the other half of the fixture wire that is black, unmarked, or has a smooth surface to the outlet box supply wire (BLACK or RED). Use wirenuts (not provided) to connect all fixture wires.
4. Spread the electrical splices so that the black wires are on one side of the outlet box and the white wires are on the other side.

Figure B.

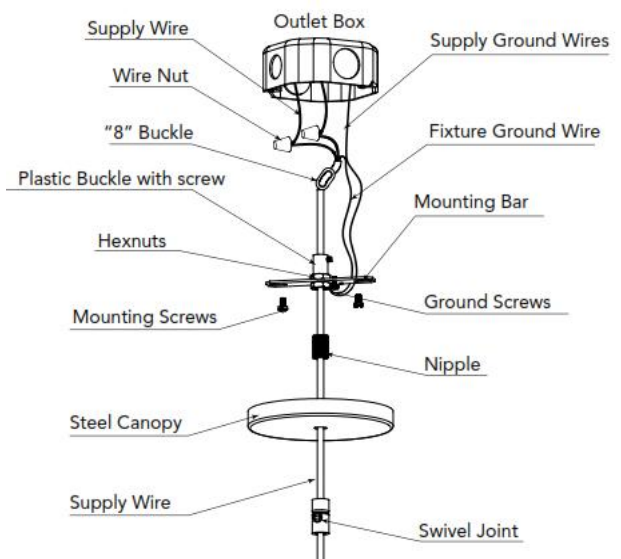


Figure C.

