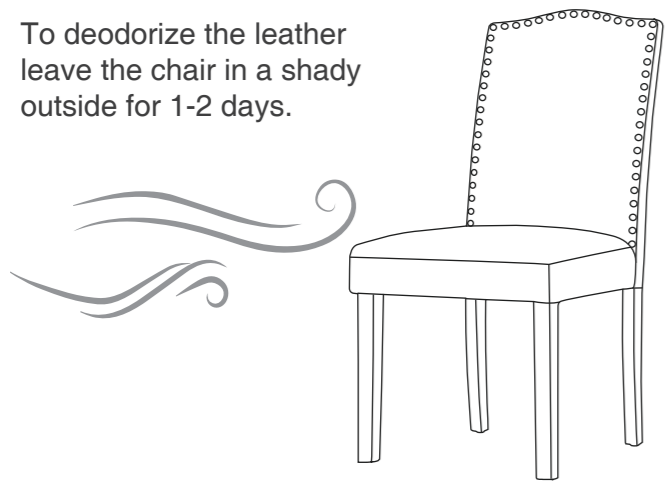
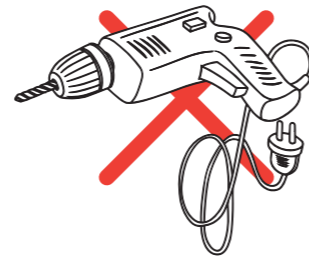
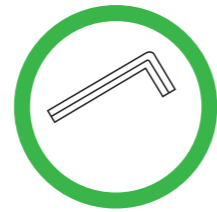


To deodorize the leather leave the chair in a shady outside for 1-2 days.

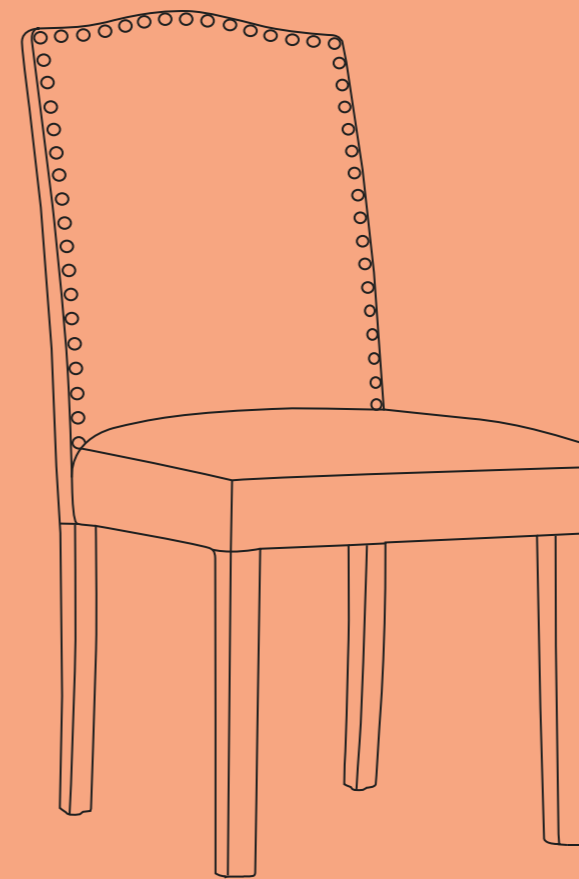


For longer use

Re-tighten bolts every 6 months by using the enclosed allen-key.
*Using an electric drill can damage the chair.
Please re-tighten bolts manually.



INSTRUCTION MANUAL



Safety Information



Sit in the center of the chair, with your back to the backrest



Do not sit at the front edge of the chair



Do not stand on the chair



Do not use the chair with more than one person

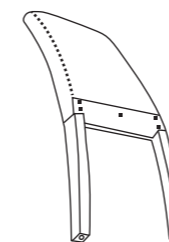


Do not push the chair around when a person is sitting in it

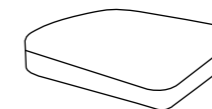


Do not push down on the backrest when a person is reclined

Package List



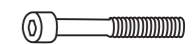
(A)*1
Backrest



(B)*1
Seat Cushion



(C)*2
Leg



(E)*4
Bolts
M8*75mm



(F)*5
Bolts
M8*55mm



(H)*9
Washer



(I)*9
Washer



(J)*1
Wrench

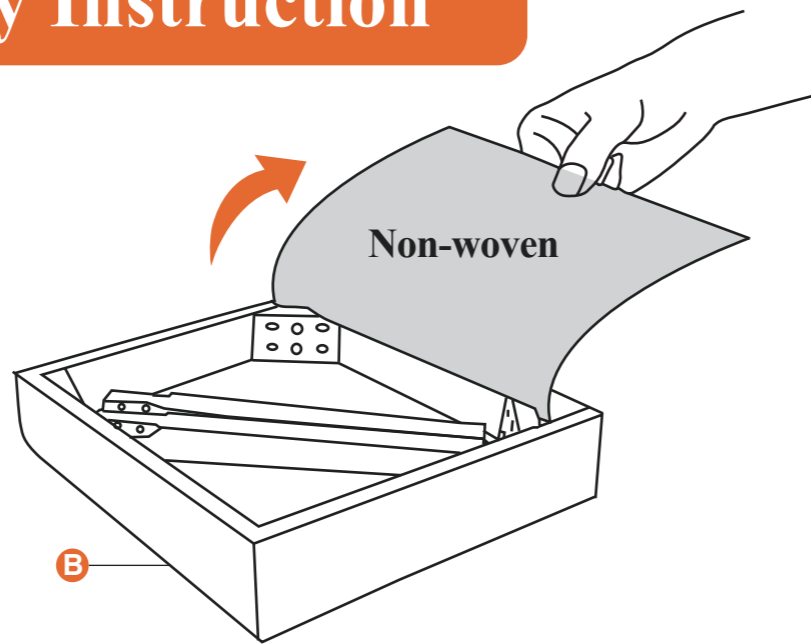
INSTRUCTION MANUAL



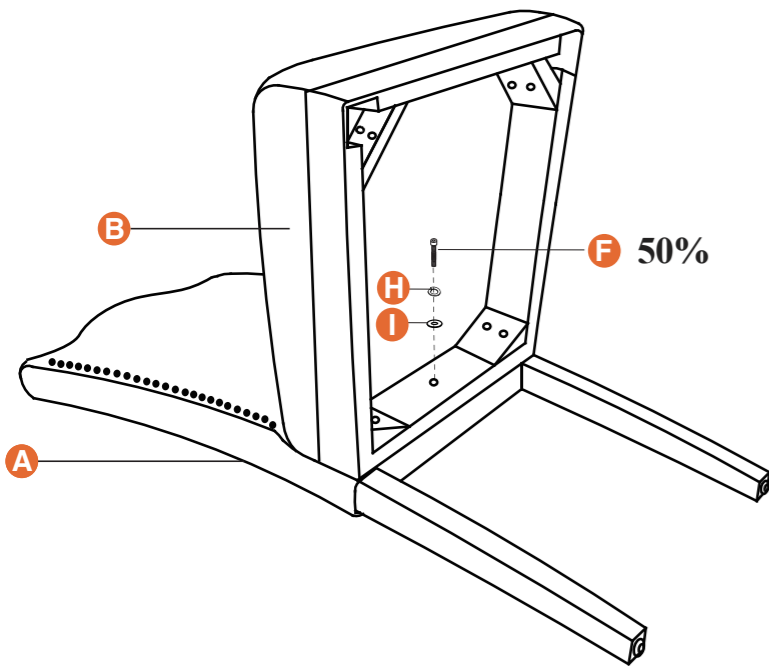
Assembly Instruction

Step 1

Lift the Non-woven at the bottom of the Seat Cushion (B).
Take the parts out of it.



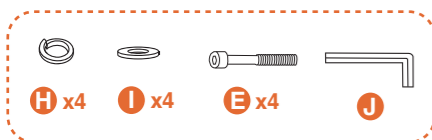
Step 2



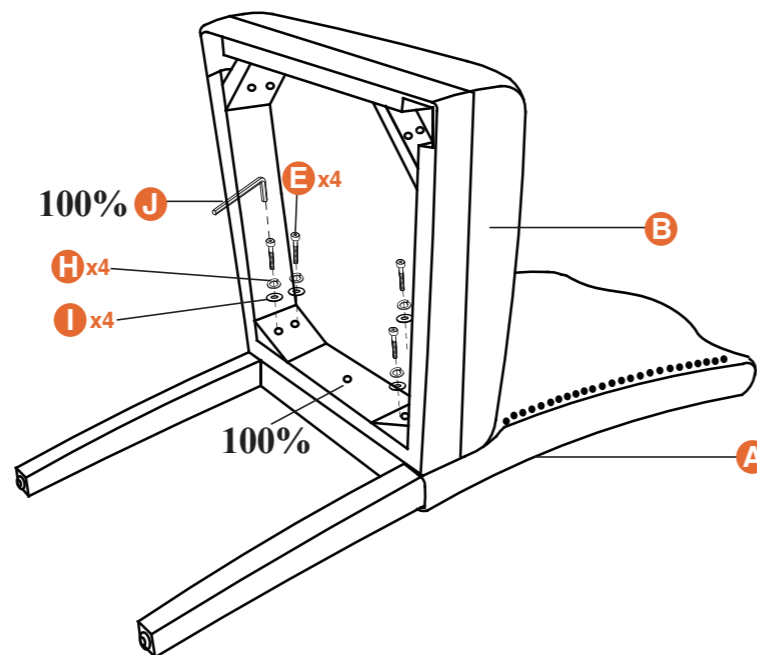
Insert Washer (H) and (I) into Bolts (F) in turn.
Attach Seat Cushion (B) to the Backrest (A)
with Bolt (F)*1 in the middle.

Note: Bolts are only tightened 50%.

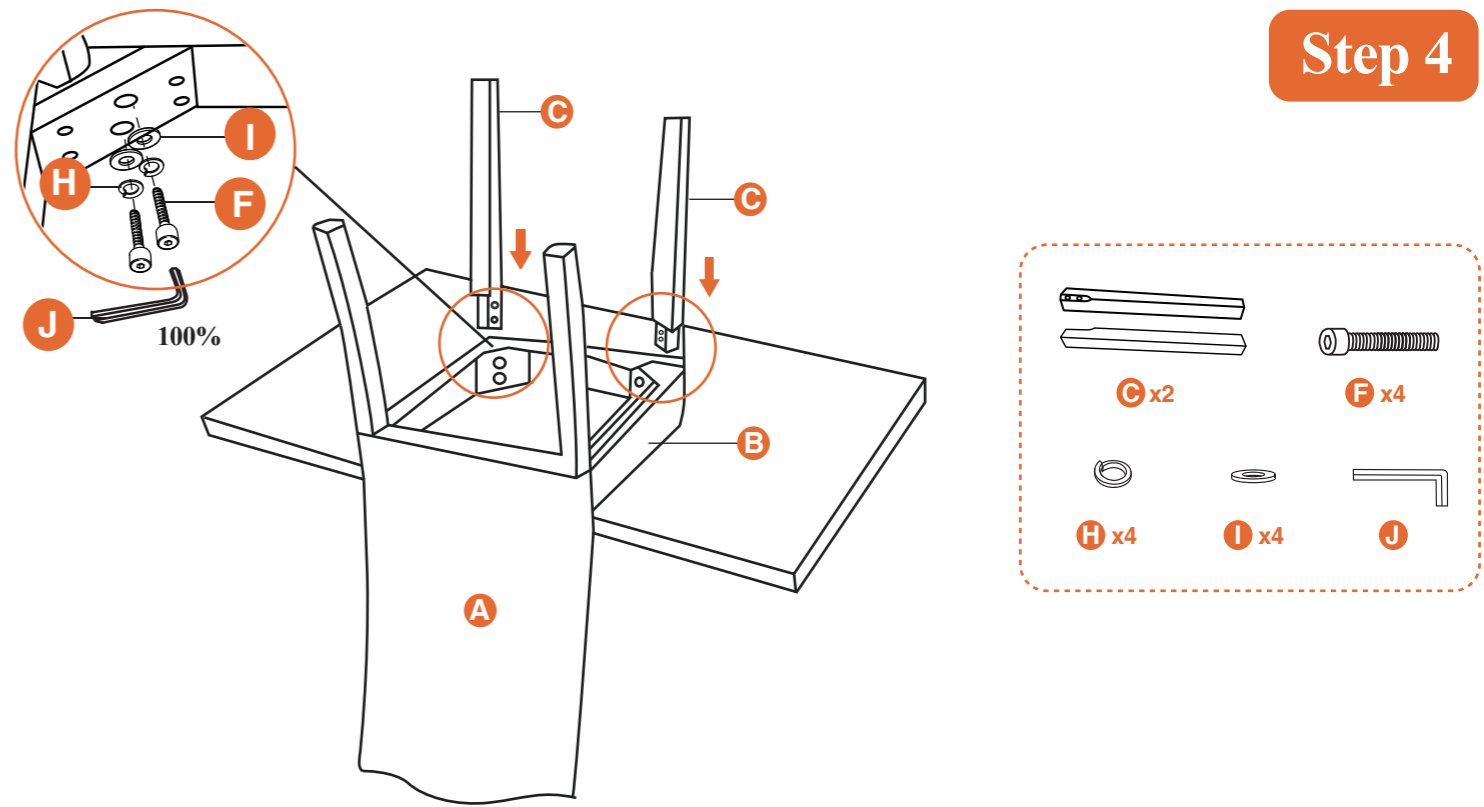
Step 3



Insert Washer (H) and (I) into Bolts (E)*4
in turn. Attach Seat Cushion (B) to the
Backrest (A) with Bolt (E)*4 on both sides.
100% tighten the Bolts (E)*4
then **100%** tighten the Bolts (F)*1.



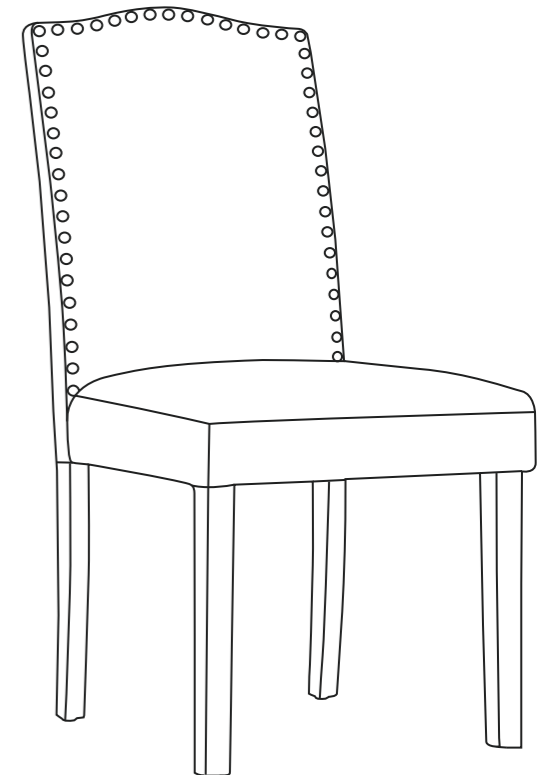
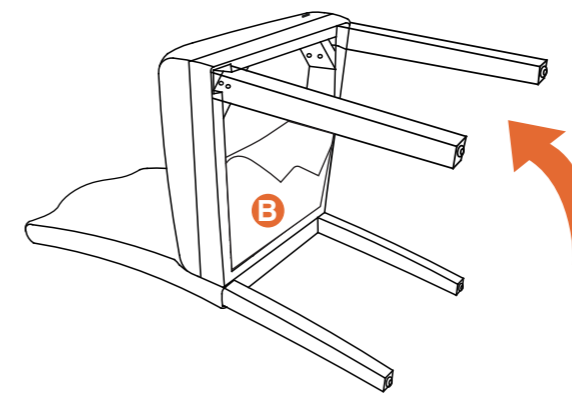
Step 4



Tip the Dining Chair over. Insert Washer (H) and (I) into Bolts (F) in turn. Attach Leg (C)*2
to both corners of the Seat Cushion (B) with Bolts (F)*4.

Step 5

Seal the Seat Bottom Cover at the bottom of the
Seat Cushion (B).



CAUTION:

- * Before using the chair, check to ensure that all bolts are fully tightened.
- * Lubricate all parts and tighten all bolts every 6 months or whenever needed.