

ASSEMBLY INSTRUCTIONS



CAUTION

◆ Inspect the wire insulation for any cuts, abrasions, or exposed copper that may have resulted during shipping. If there is a defect in the wire, do not attempt installation.

◆ Before starting installation of this fixture or removal of a previous fixture, disconnect the power by turning off the circuit breaker or by removing the fuse at the fuse box.

TOOLS REQUIRED



Ladder



Safety glasses



Electrical tape



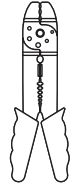
Phillips screwdriver



Flat blade screwdriver

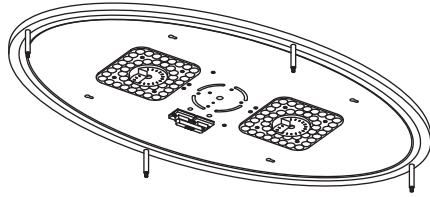


Pliers

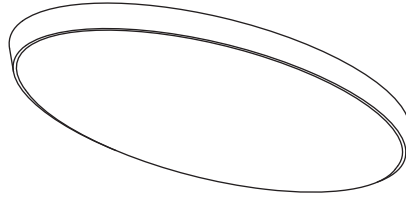


Wire strippers

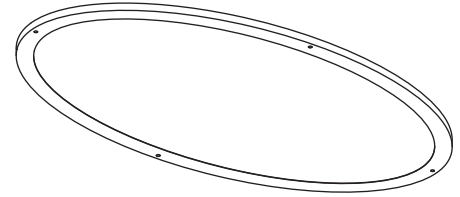
HARDWARE INCLUDED



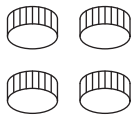
Fixture



Shade



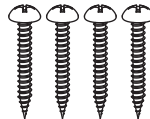
Decorative Circle



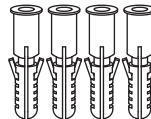
Ball Nuts



Mounting Unit



Wood Screws



Plastic Anchors



Fixture Screws



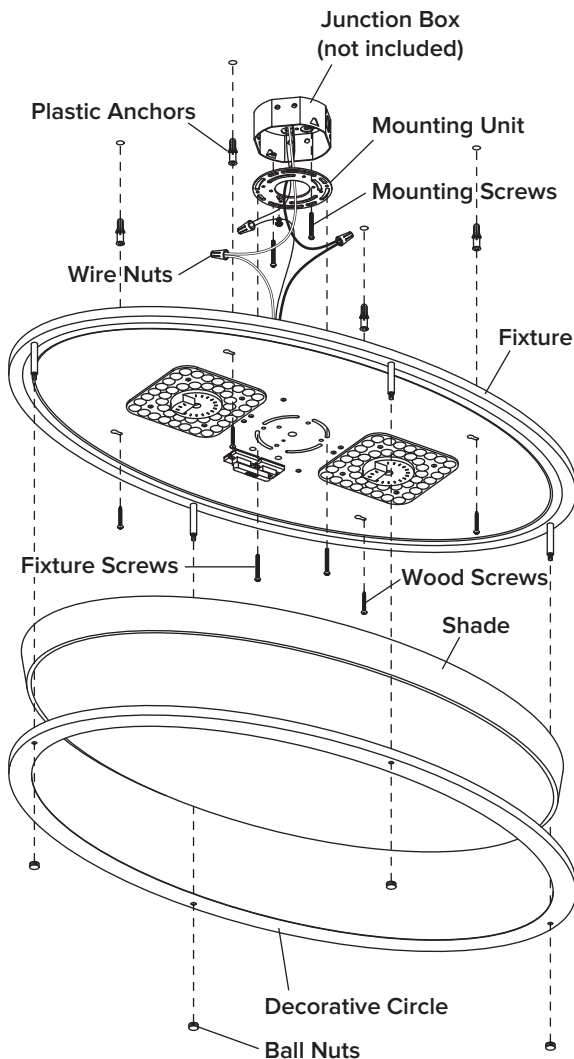
Mounting Screws



Wire Nuts

* PARTS SHOWN MAY DIFFER SLIGHTLY PER LIGHT FIXTURE

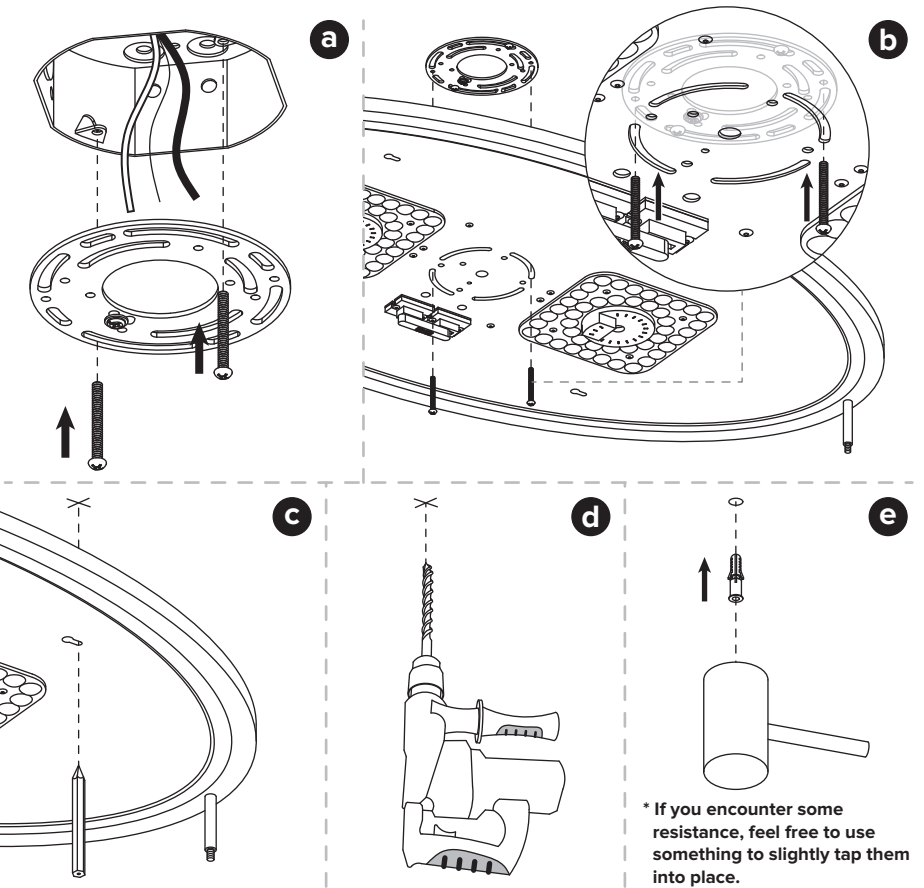
EXPLODED PARTS



INSTALLATION

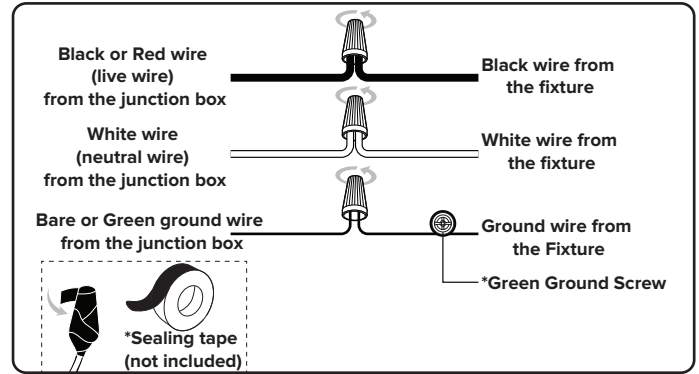
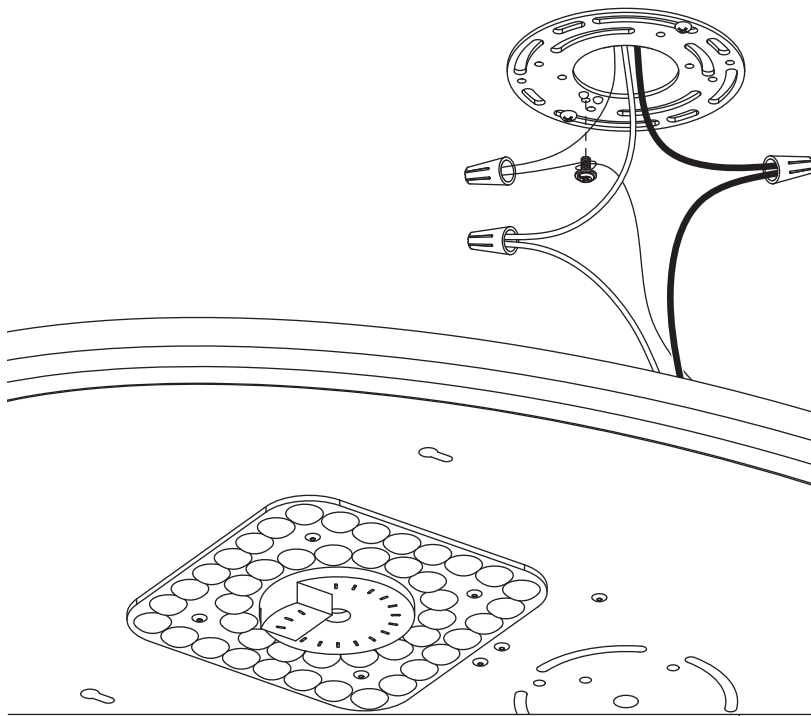
STEP 1

- Use the **mounting screws** to attach the **mounting unit** to the junction box (not included). Note: Please adjust the mounting unit so that the fixture will be installed in your desired position.
- Place the **fixture** in the desired position and install **fixture** using **fixture screws**.
- Mark the drilling position with a pencil. Next, disassemble the **fixture**.
- Using a 5/16" (8mm) drill bit (not included), drill holes in the marked areas.
- Insert the **plastic anchors** into the drilled holes.



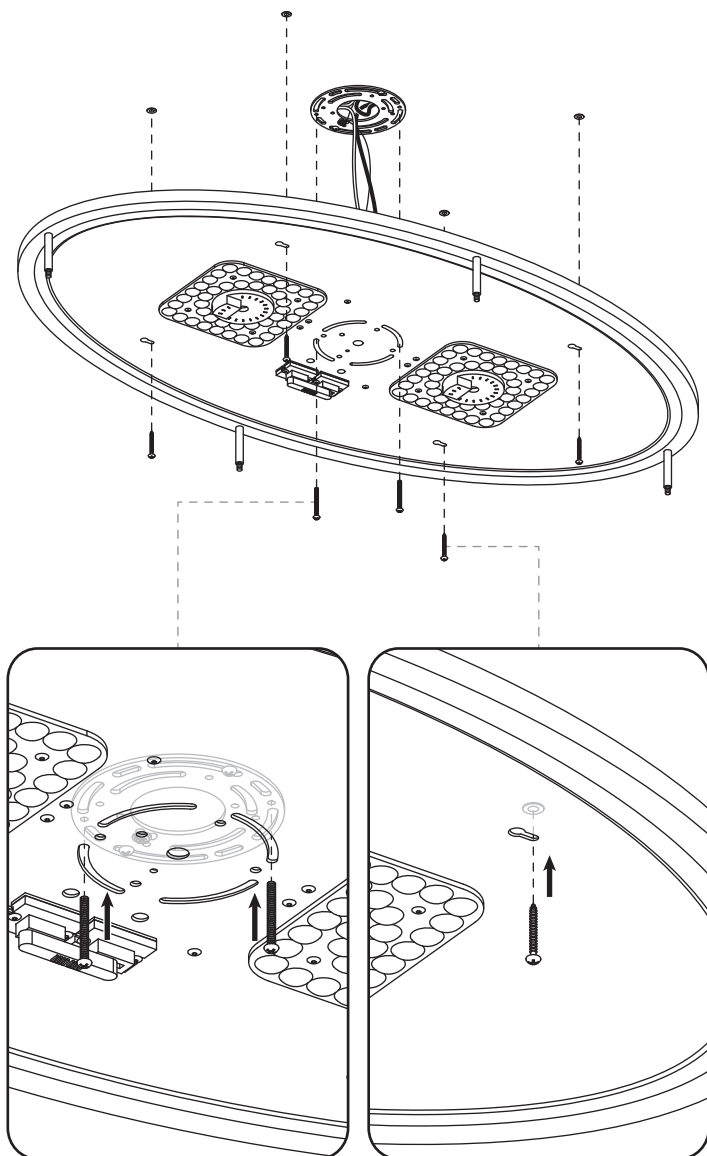
STEP 2

Make the electrical connection from the junction box (not included) to the **fixture**. Connect the ground wire to the **mounting unit** using the preinstalled green ground screw. Next, connect the live wire, neutral wire and ground wires with the supplied **wire nuts**. Secure with electrical tape.



STEP 3

Install **fixture** using **fixture screws** and **wood screws**.



STEP 4

1. Select the color temperature you need.
2. Use the **ball nuts** to attach the **shade** and **decorative circle** to the **fixture**.

