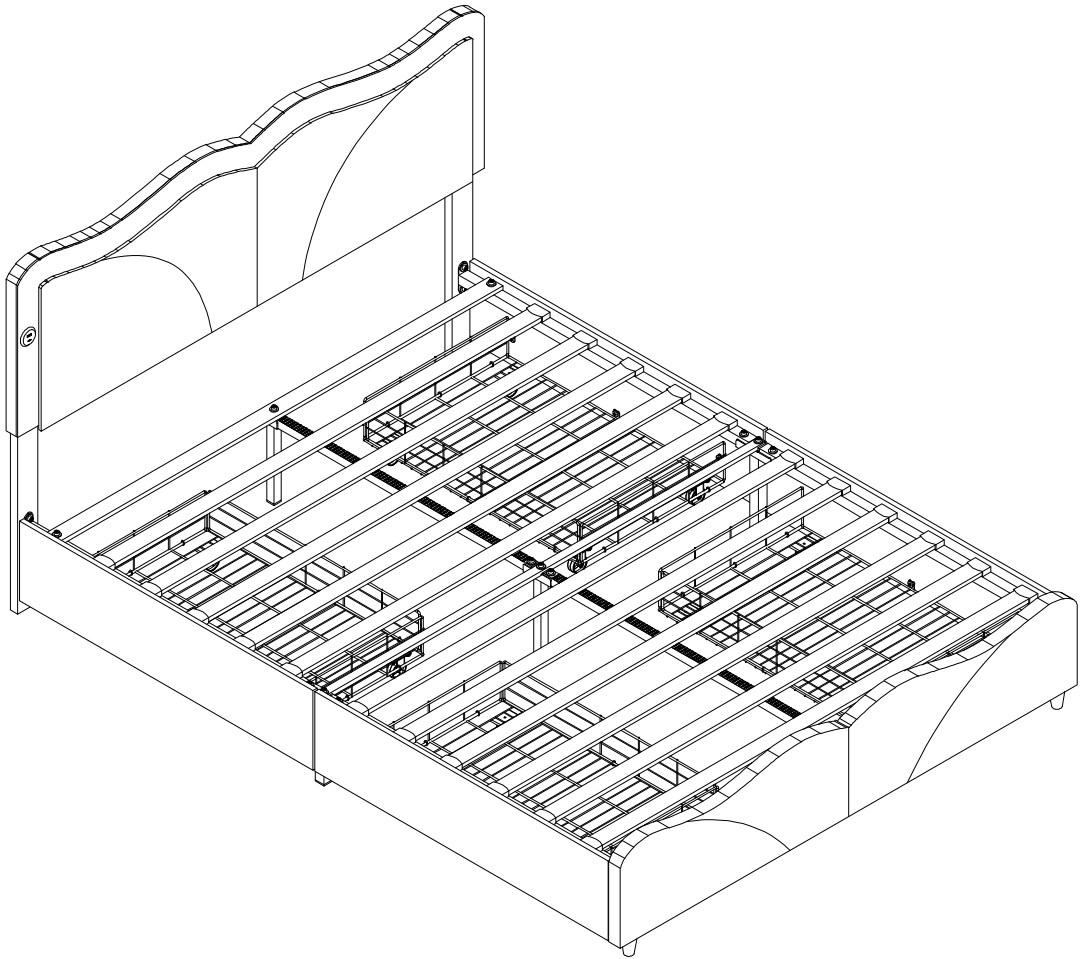


# User's Manual

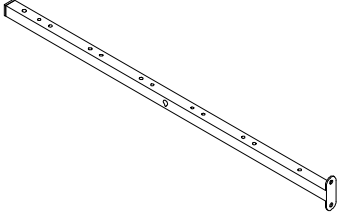
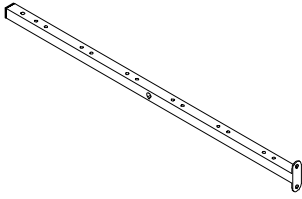
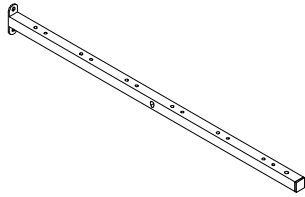
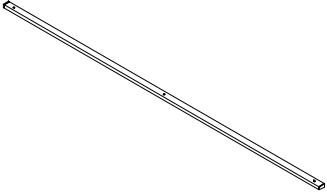
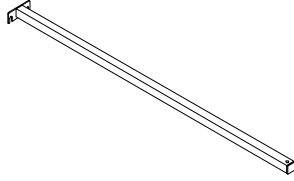
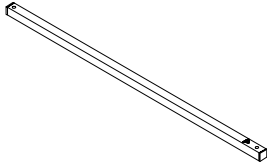
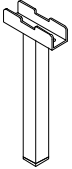
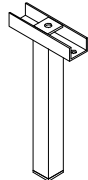
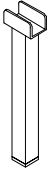

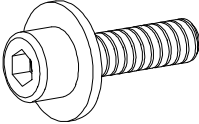
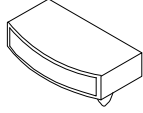
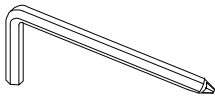
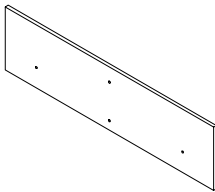


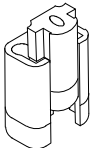

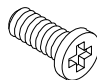
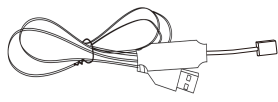
---

## Bed Frame with Headboard



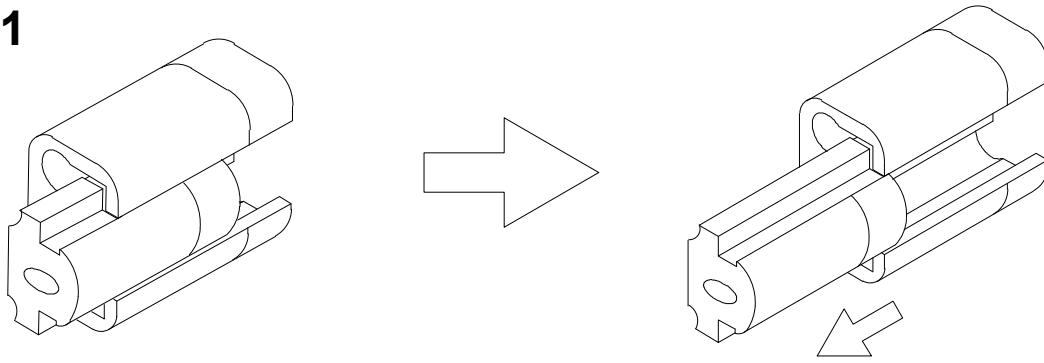


## Assembly Instruction of (Bed)

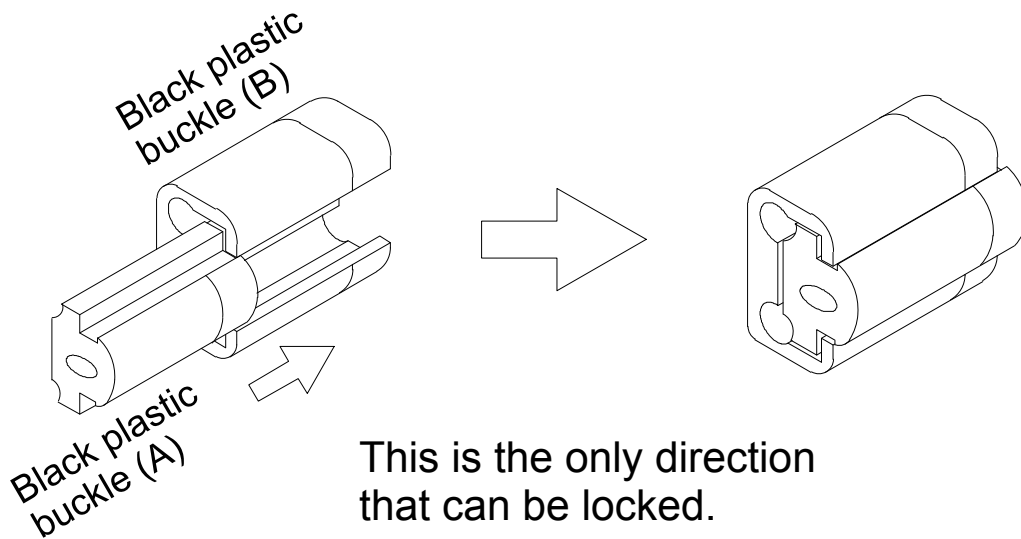
<p><b>F2</b> Side cross beam</p>  <p style="text-align: center; border: 1px solid black; width: fit-content; margin: 0 auto;">1PC</p>	<p><b>F3</b> Side cross beam</p>  <p style="text-align: center; border: 1px solid black; width: fit-content; margin: 0 auto;">1PC</p>	<p><b>F4</b> Side cross beam</p>  <p style="text-align: center; border: 1px solid black; width: fit-content; margin: 0 auto;">1PC</p>	
<p><b>G</b> Middle cross beam</p>  <p style="text-align: center; border: 1px solid black; width: fit-content; margin: 0 auto;">1PCS</p>	<p><b>H</b> Back Middle cross beam</p>  <p style="text-align: center; border: 1px solid black; width: fit-content; margin: 0 auto;">1PC</p>	<p><b>I</b> Front Middle cross beam</p>  <p style="text-align: center; border: 1px solid black; width: fit-content; margin: 0 auto;">1PC</p>	
<p><b>J</b> Middle leg</p>  <p style="text-align: center; border: 1px solid black; width: fit-content; margin: 0 auto;">1PC</p>	<p><b>K</b> Edge of the foot</p>  <p style="text-align: center; border: 1px solid black; width: fit-content; margin: 0 auto;">2PCS</p>	<p><b>L</b> Front Leg</p>  <p style="text-align: center; border: 1px solid black; width: fit-content; margin: 0 auto;">1PC</p>	
<p><b>M</b> Bed leg</p>  <p style="text-align: center; border: 1px solid black; width: fit-content; margin: 0 auto;">2PCS</p>	<p><b>N</b> Innerscrew</p>  <p style="text-align: center; border: 1px solid black; width: fit-content; margin: 0 auto;">M8×45mm 16+1PCS</p>	<p><b>O</b> Edge slab</p>  <p style="text-align: center; border: 1px solid black; width: fit-content; margin: 0 auto;">22+2PCS</p>	
<p><b>P</b> Inner allen wrench</p>  <p style="text-align: center; border: 1px solid black; width: fit-content; margin: 0 auto;">1PC</p>	<p><b>Q</b> Drawer panel</p>  <p style="text-align: center; border: 1px solid black; width: fit-content; margin: 0 auto;">4PCS</p>	<p><b>R</b> Drawer</p>  <p style="text-align: center; border: 1px solid black; width: fit-content; margin: 0 auto;">4PCS</p>	<p><b>S</b> Drawer wheel</p>  <p style="text-align: center; border: 1px solid black; width: fit-content; margin: 0 auto;">16PCS</p>
<p><b>T</b> Drawer connector</p>  <p style="text-align: center; border: 1px solid black; width: fit-content; margin: 0 auto;">8PCS</p>	<p><b>U</b> Screw</p>  <p style="text-align: center; border: 1px solid black; width: fit-content; margin: 0 auto;">M6×6mm 16+2PCS</p>	<p><b>V</b> Screw</p>  <p style="text-align: center; border: 1px solid black; width: fit-content; margin: 0 auto;">M6×15mm 12PCS</p>	<p><b>X</b></p>  <p style="text-align: center; border: 1px solid black; width: fit-content; margin: 0 auto;">1PC</p>

## Assembly Instruction of (Drawer)

### STEP 1

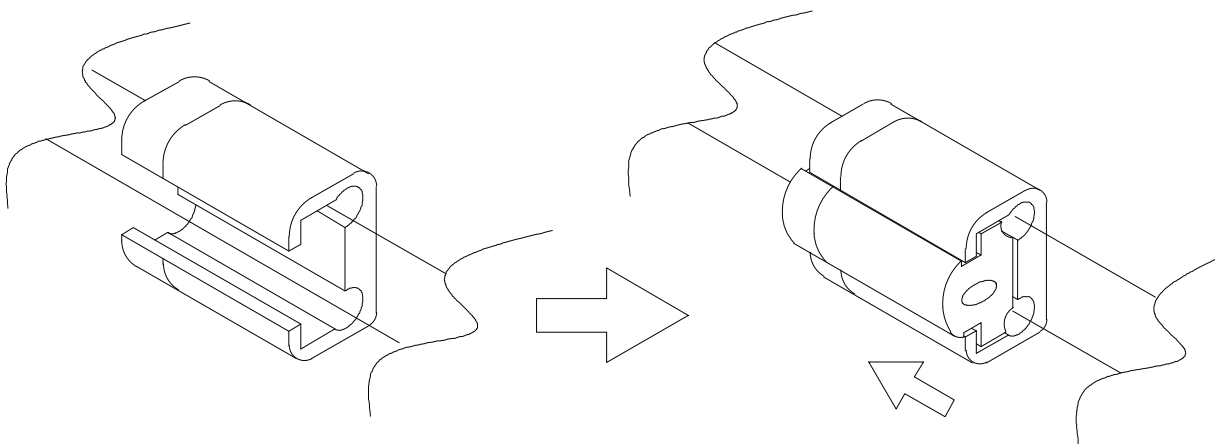


You can pull the buckle out by following the direction indicated by the arrow



This is the only direction that can be locked.

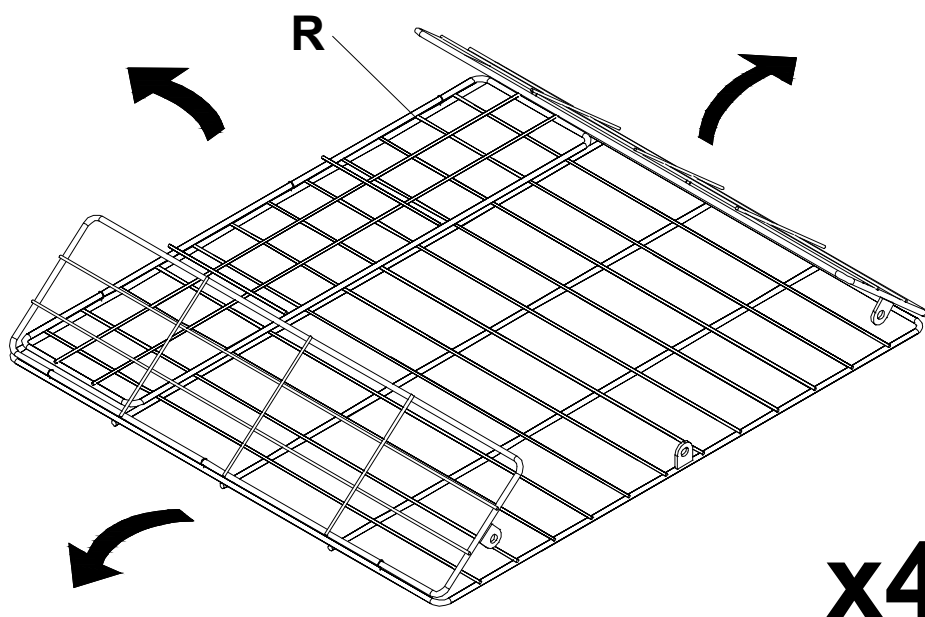
### STEP 2



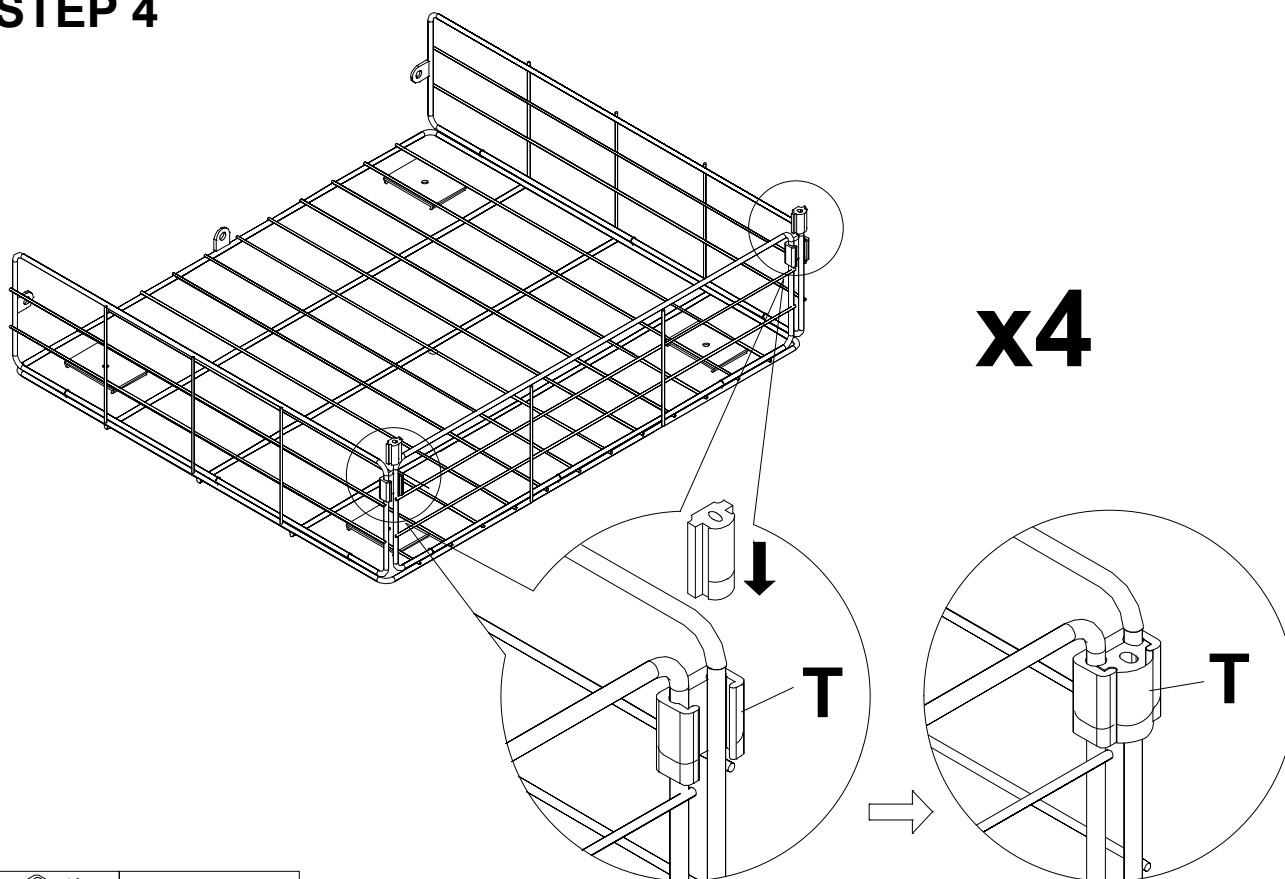
Place the round iron tubes as shown for better assembly of the drawers.

## Assembly Instruction of (Drawer)

### STEP 3



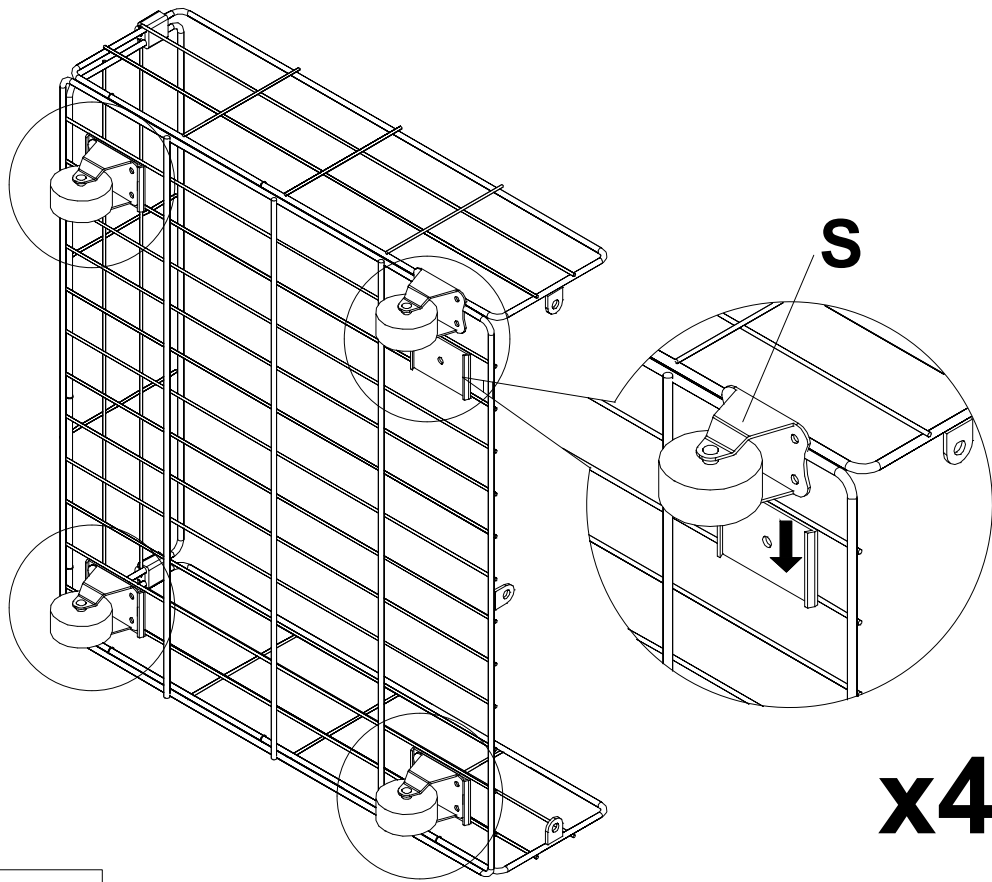
### STEP 4



T x 8PCS

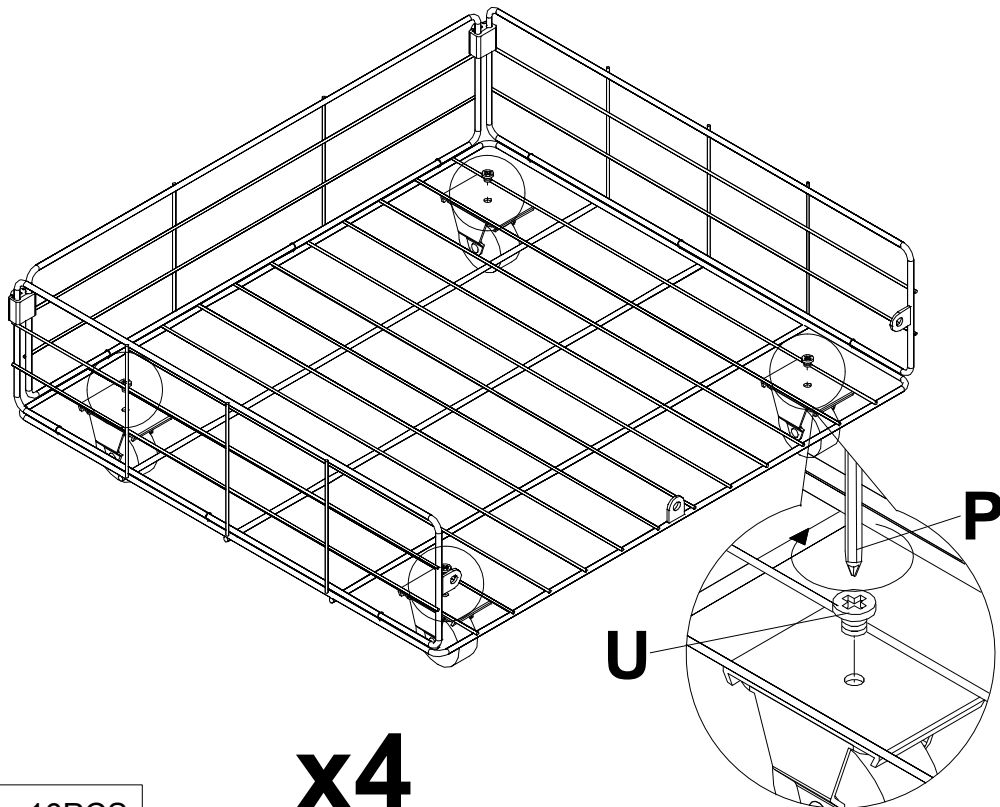
# Assembly Instruction of (Drawer)

## STEP 5



S x 16PCS

## STEP 6



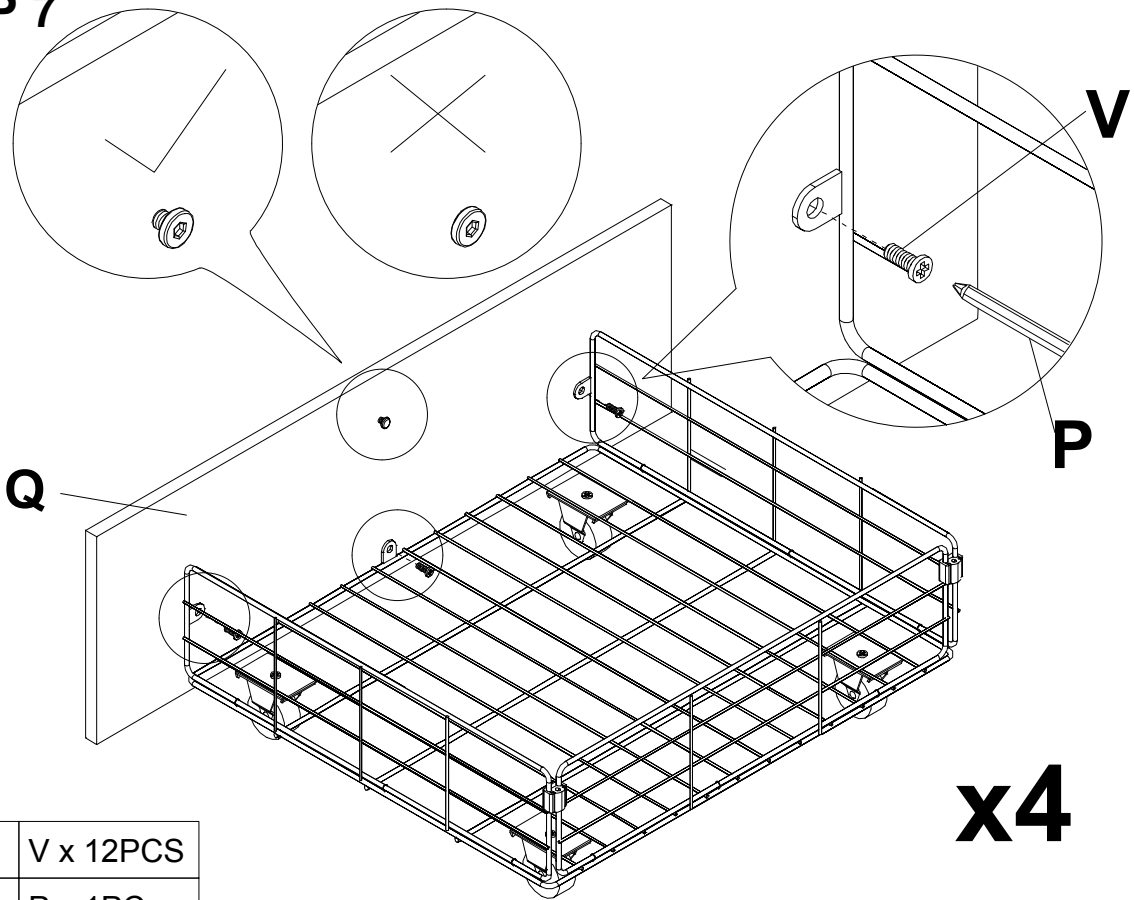
U x 16PCS





P x 1PC

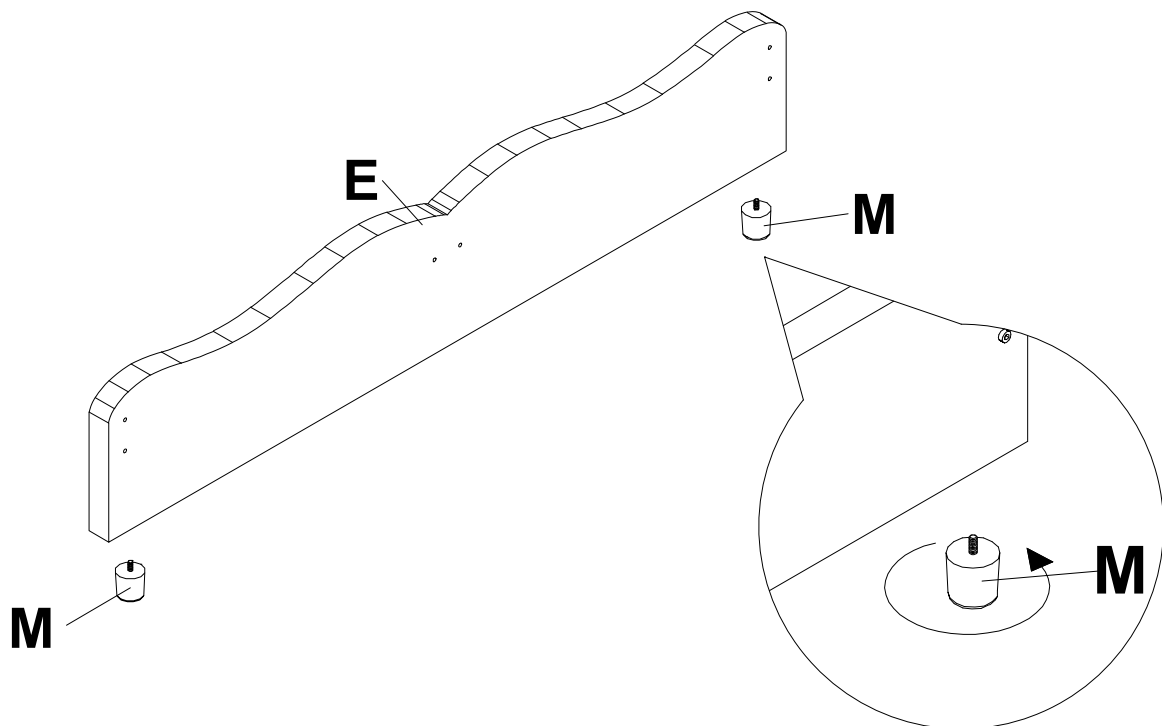
# Assembly Instruction of (Drawer)

## STEP 7



	V x 12PCS
	P x 1PC

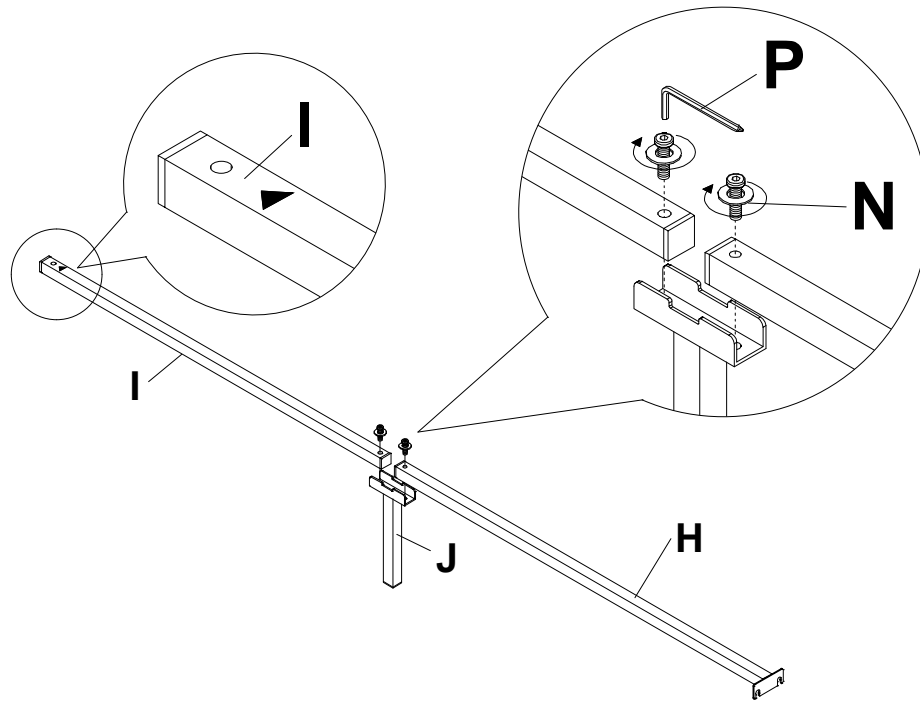
## STEP 8





## Assembly Instruction of (Bed)

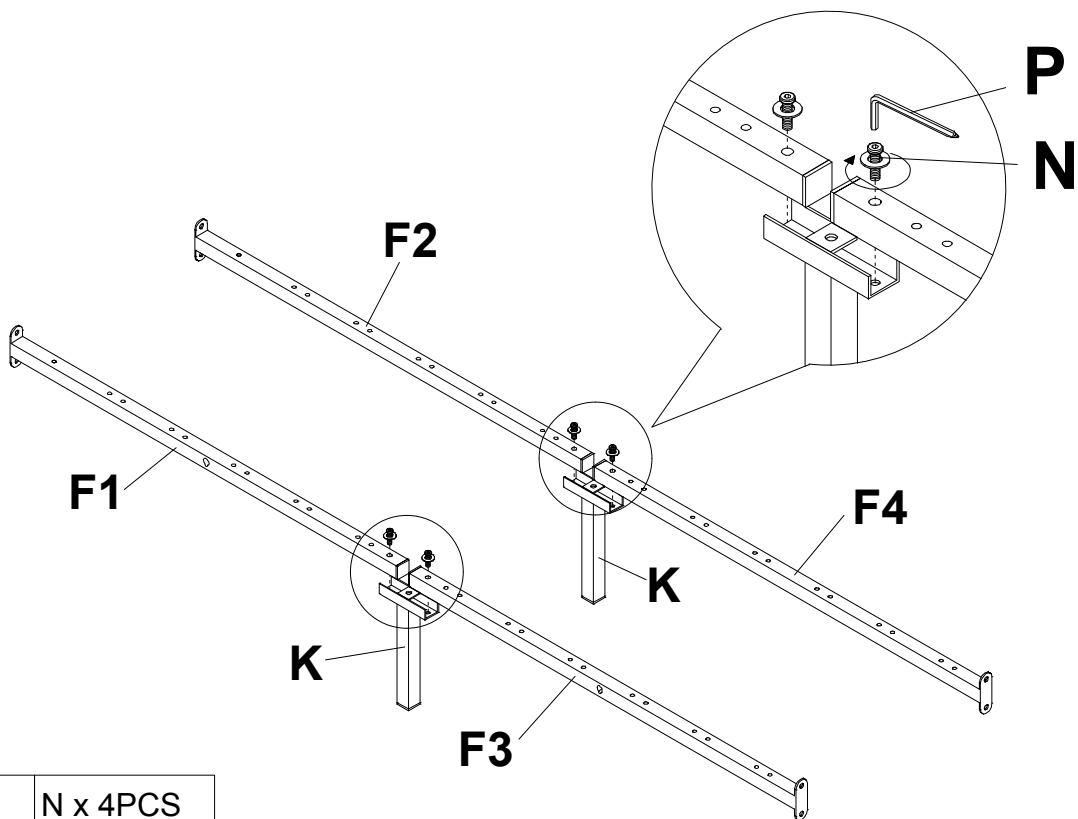
### STEP 9

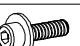

Please note the middle crossbeam (part I), which needs to be installed in the direction of the red arrow as shown in the picture, with the red arrow pointing to the front.



	N x 2PCS
	P x 1PC

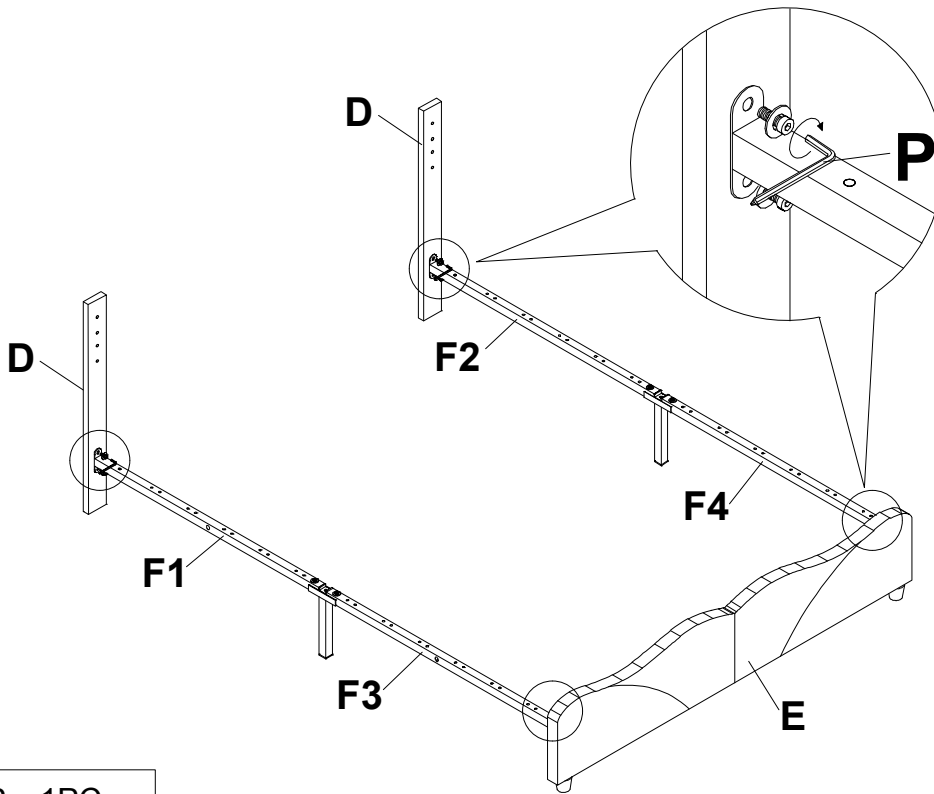
### STEP 10



	N x 4PCS
	P x 1PC

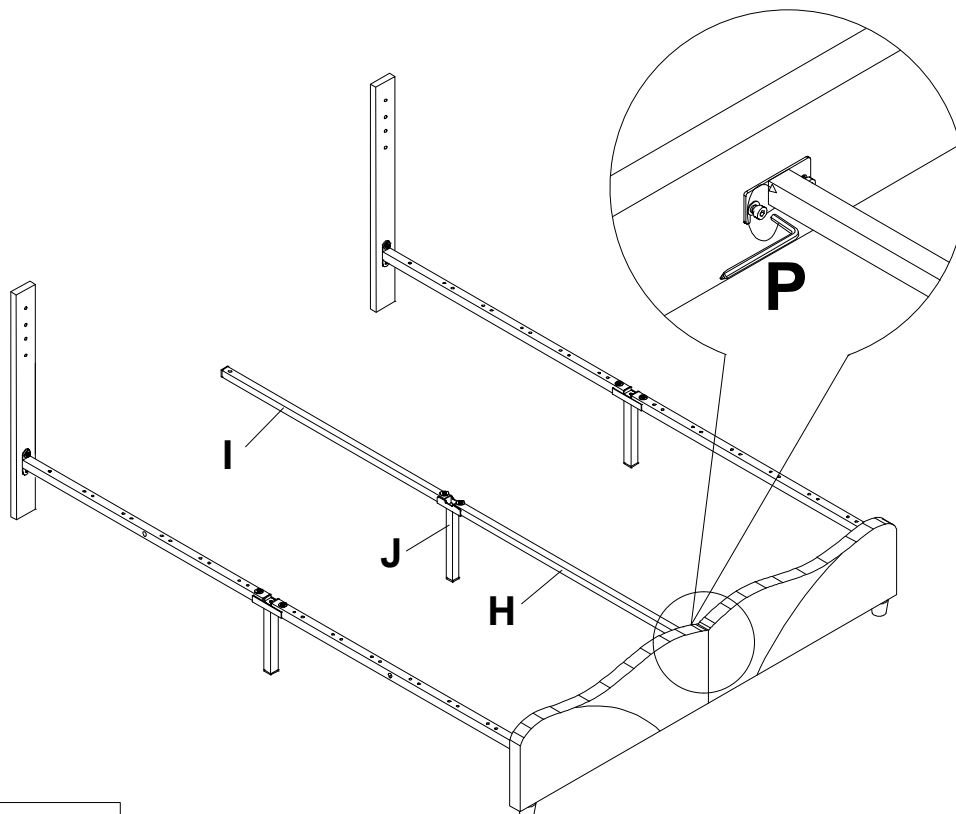
# Assembly Instruction of (Bed)

**STEP 11** Loosen the screws on the side legs of the headboard and on both sides of the footboard, hang the brackets and tighten the inner screws.



P x 1PC

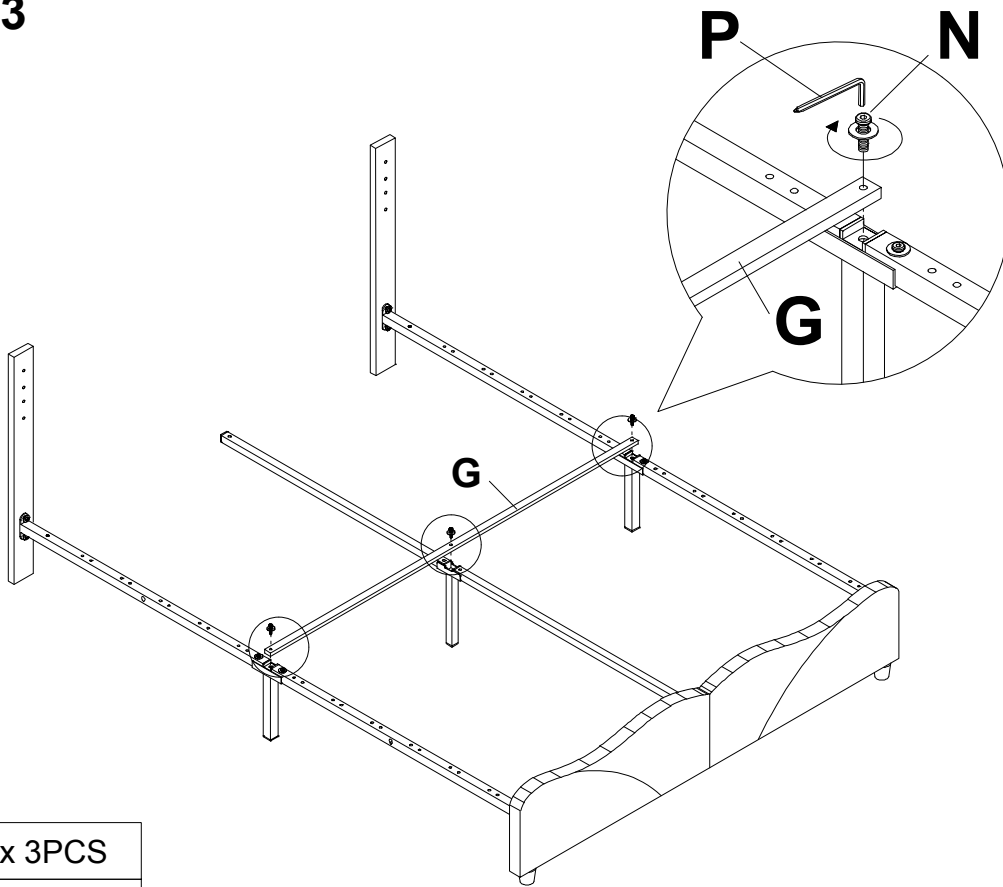
**STEP 12** Loosen the screw in the middle of the footboard, hang the bracket, and tight the inner screw.





P x 1PC

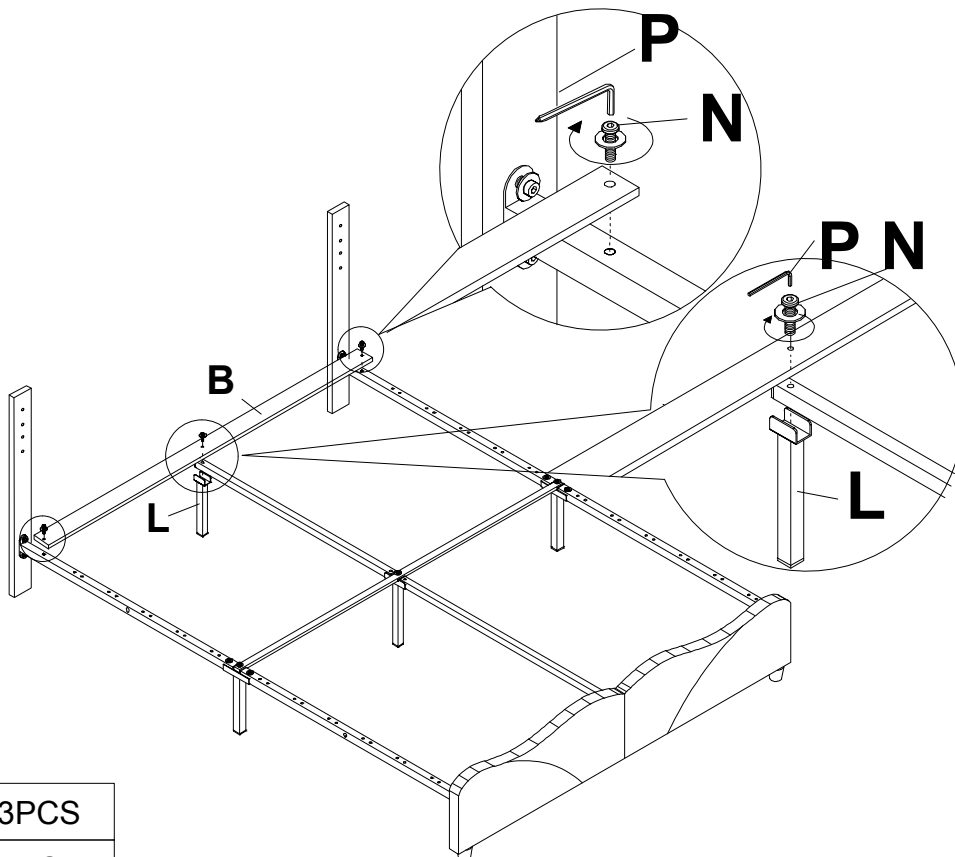
# Assembly Instruction of (Bed)



## STEP 13



	N x 3PCS
	P x 1PC

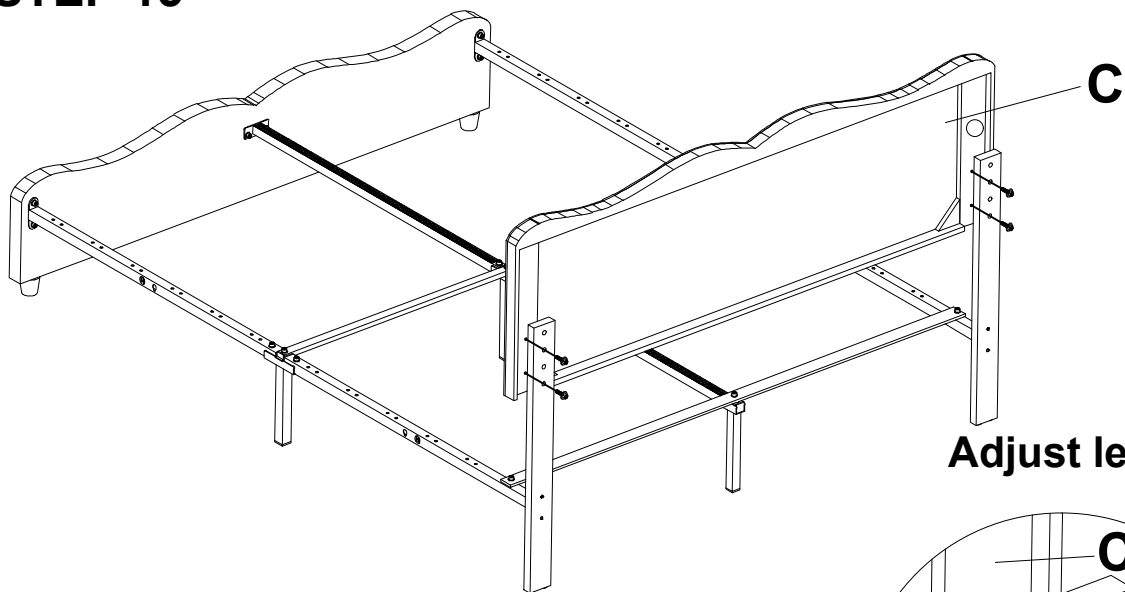
## STEP 14



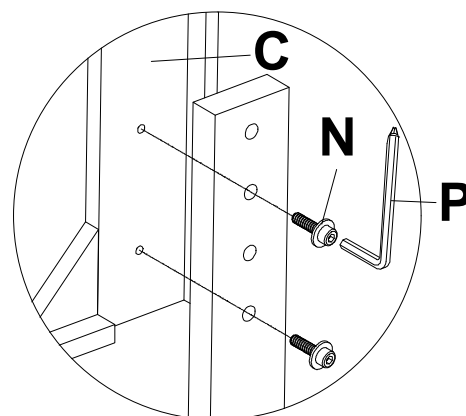
	N x 3PCS
	P x 1PC

# Assembly Instruction of (Bed)

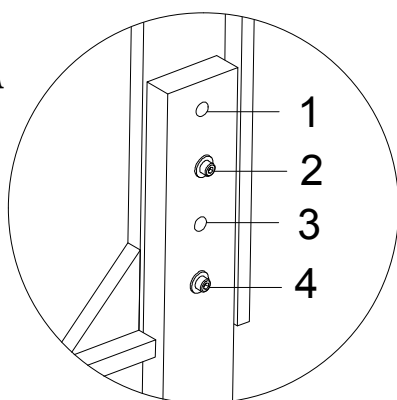
## STEP 15



Adjust leg

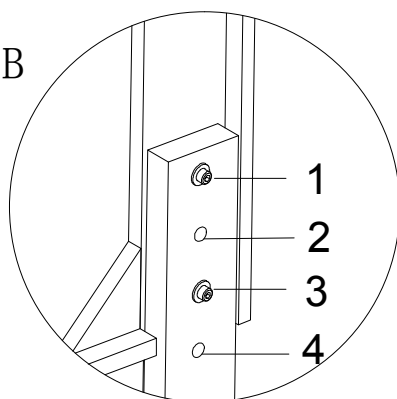


Plan A

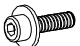



Fits a 10 inch thick mattress when attach screws to Hole 2 & Hole 4.

Plan B

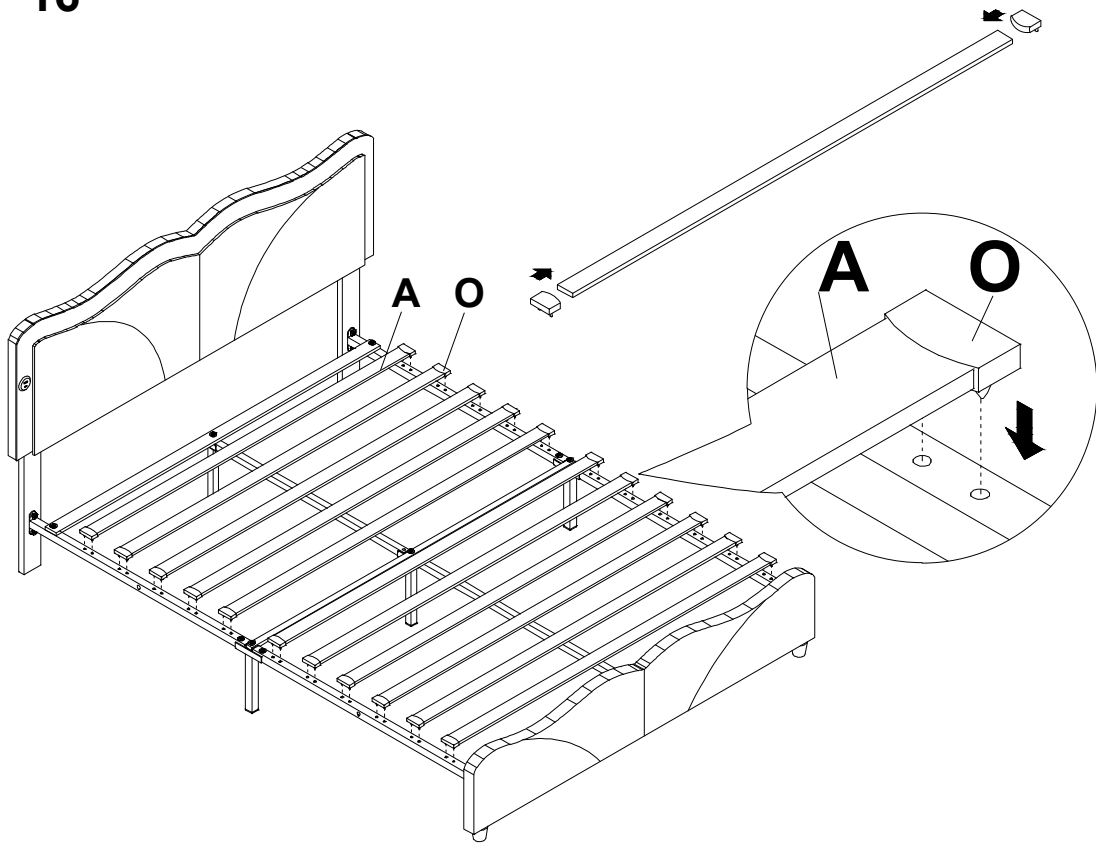


Fits a 12 inch thick mattress when attach screws to Hole 1 & Hole 3.

	N x 4PCS
	P x 1PC

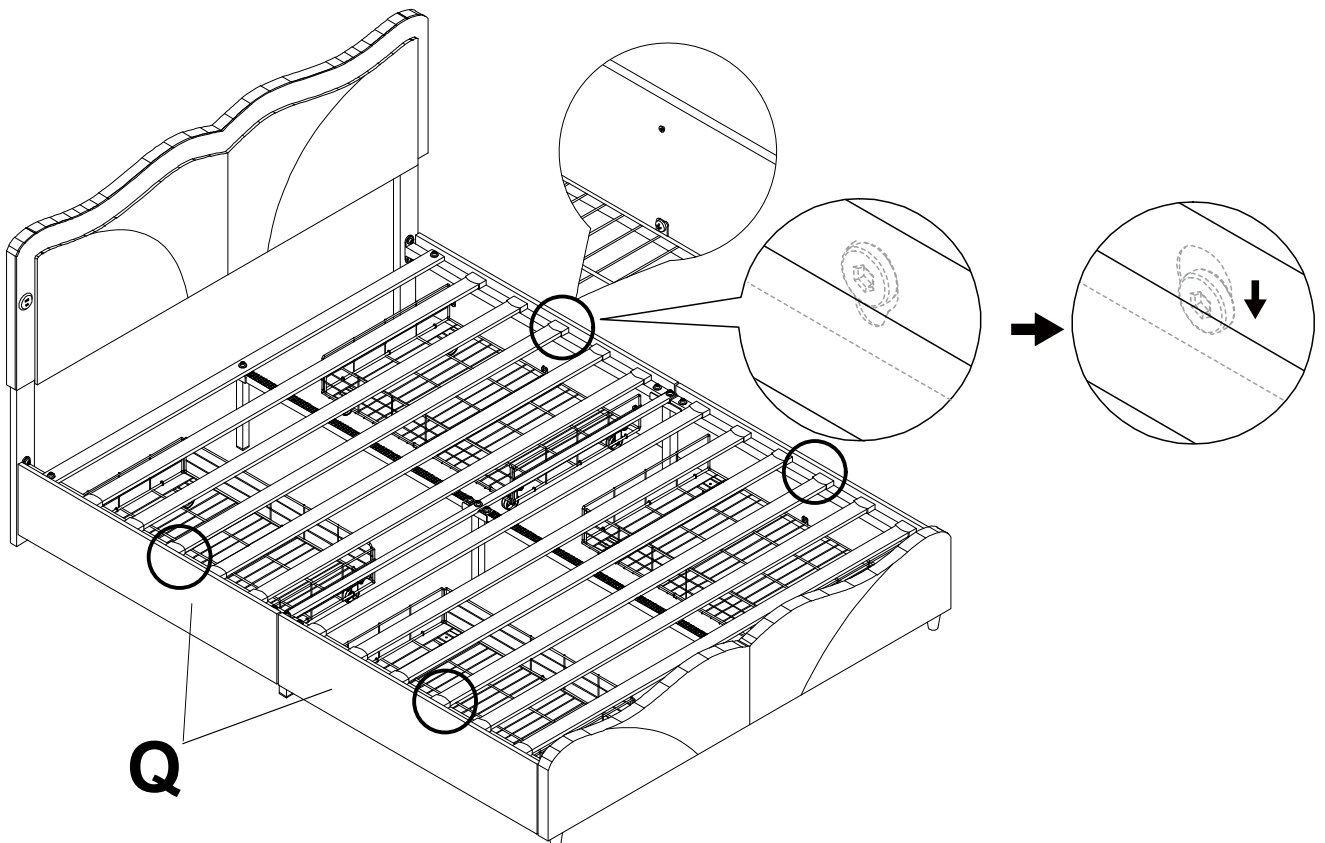
## Assembly Instruction of (Bed)

### STEP 16



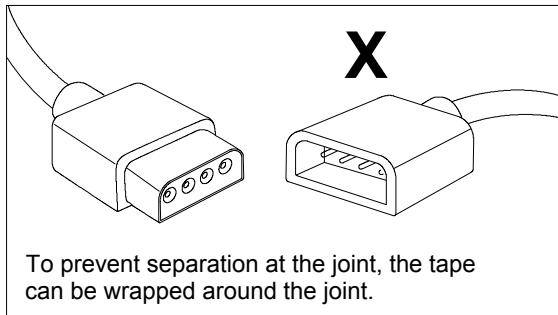
### STEP 17

Drawer panel screw hang into side cross beam hole.

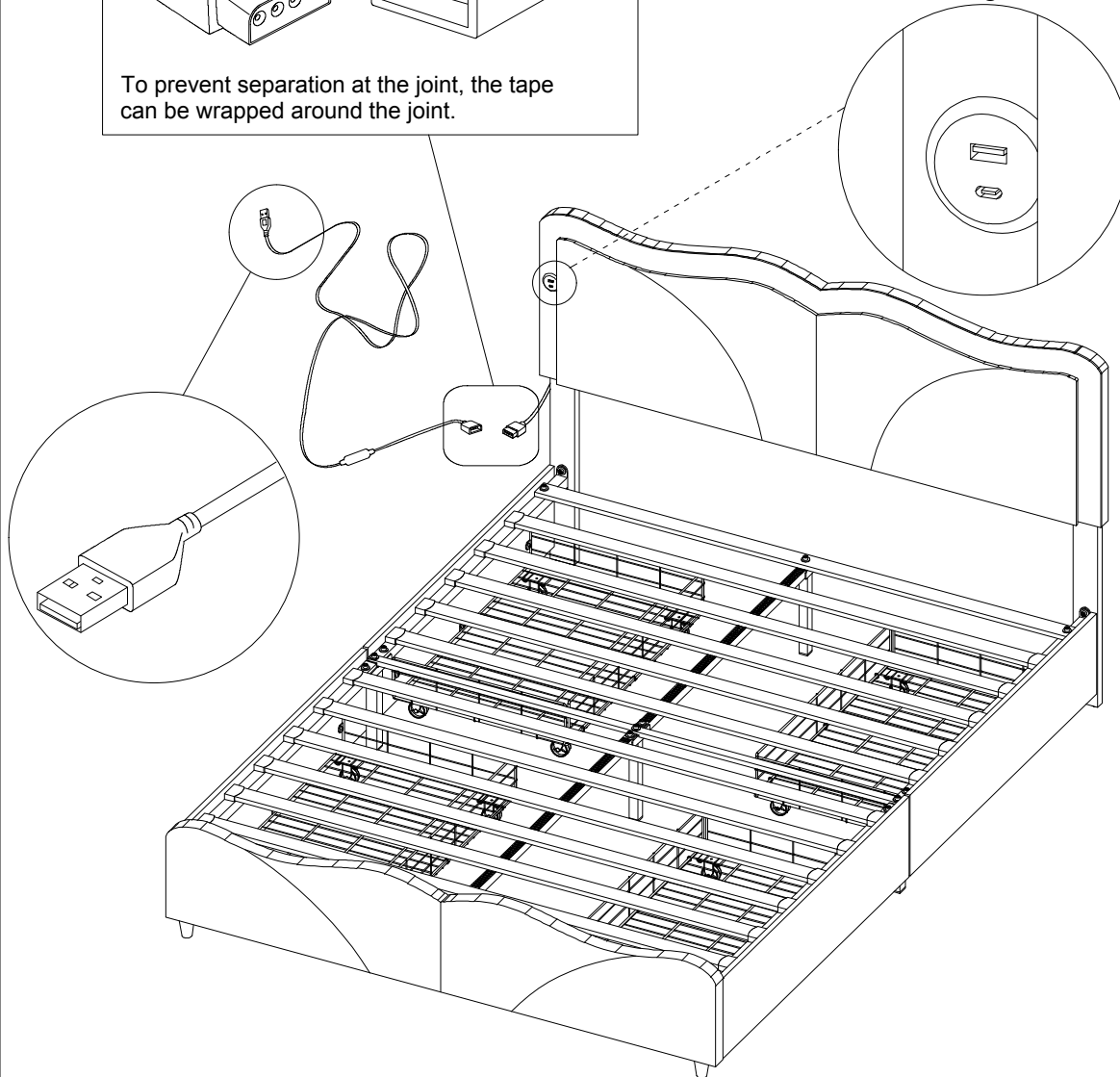


## Assembly Instruction of (Bed)

### STEP 18



NOTE: The black part of the receiver (X) needs to be exposed to air in order to better control the LED light.



Please scan the QR code on the manual/controller and install the application.

Step1: Please make sure your phone has Bluetooth enabled.

Step2: The LED light will automatically connect to the APP.

