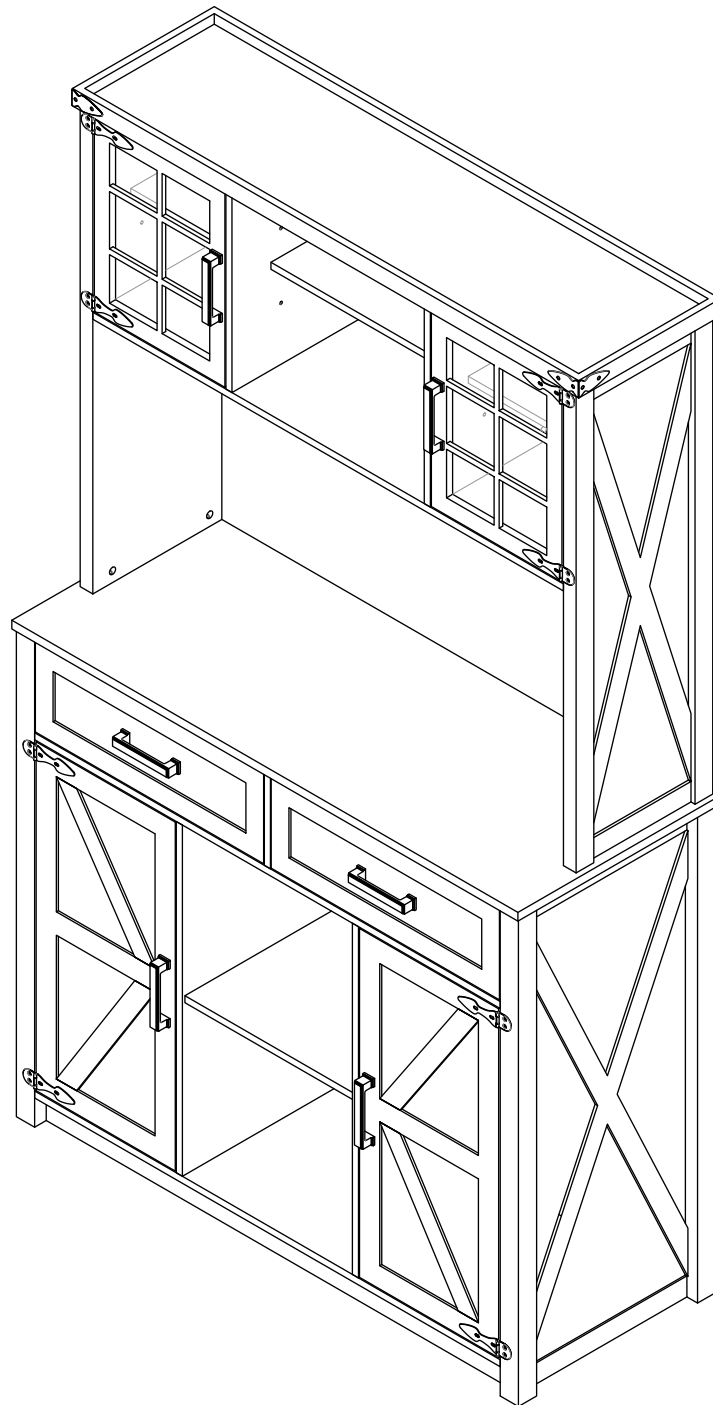
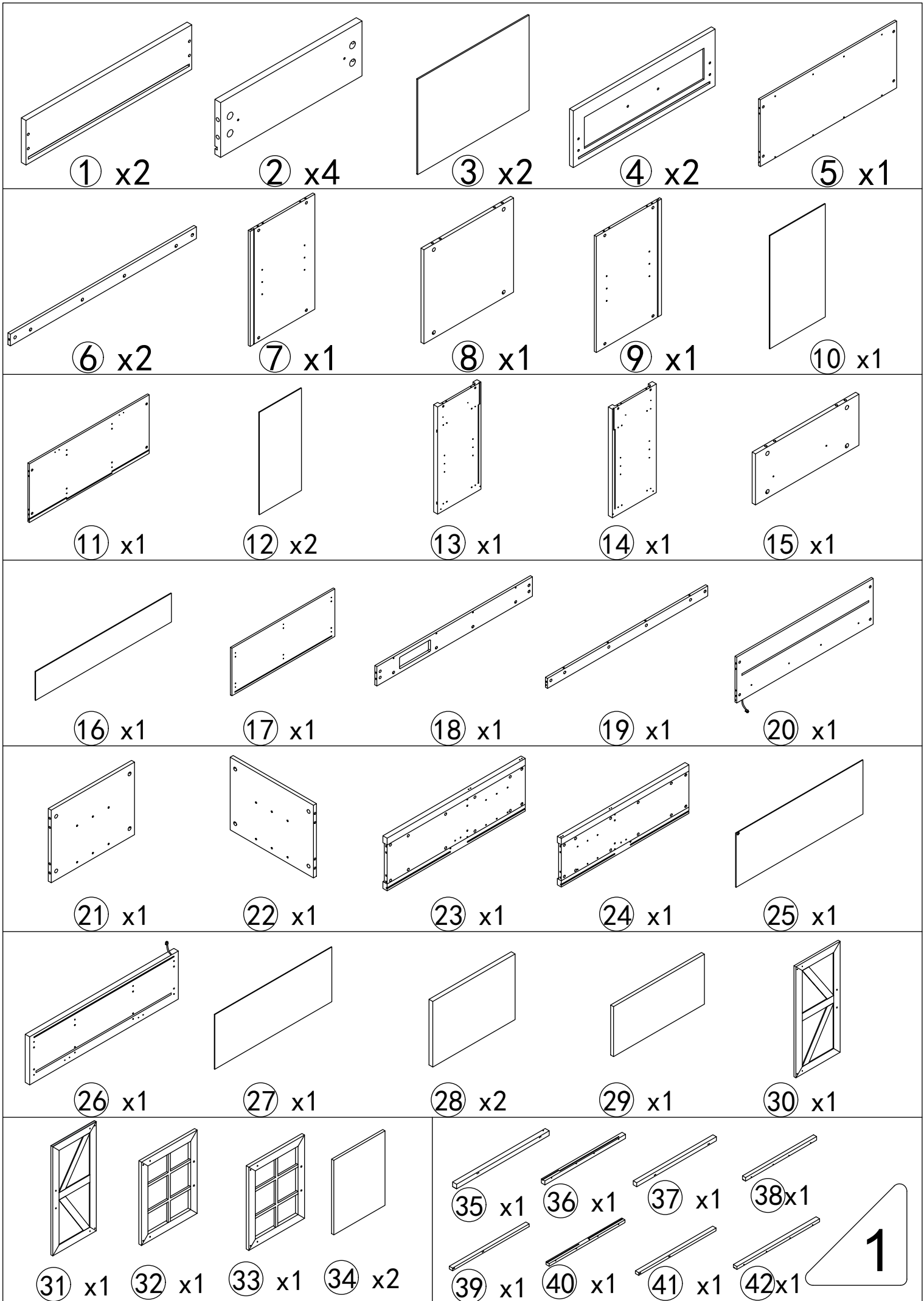
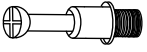

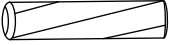
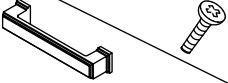

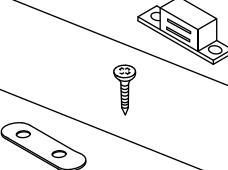
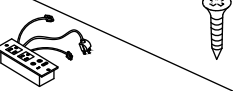

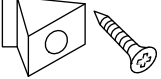
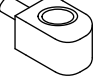
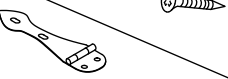


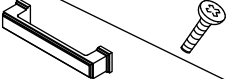
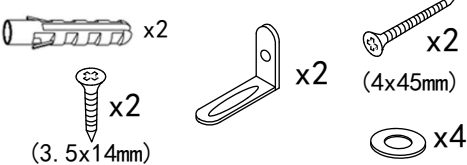


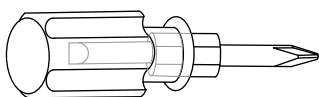
83002 Product Installation Instructions



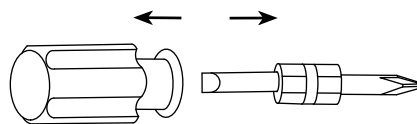


Accessories list

A		Two In One Screw (6x28mm)	122pcs +4pcs
B		Two In One Nut (10x12mm)	122pcs +4pcs
C		Wood Chipping (6x30mm)	48pcs +4pcs
D		Handle & screw (4x8mm)	4pcs +1pcs 2pcs
E		Screw & Guide (3x12mm)	20pcs +4pcs 4pcs
F		Door Magnet Screw (3x10mm) Iron Sheet	4pcs 4pcs 16pcs +2pcs
G		Power Socket & Screw (3x10mm)	2pcs +1pcs 1pcs
H		Wire Clamp	2pcs +1pcs
I		Fixing clip & screw (3x16mm)	26pcs +4pcs
J		Laminate support nail	20pcs +2pcs
K		Cabinet Door Hinge & Screw (3.5x12mm)	32pcs +2pcs 8pcs
L		Non-slip pads	4pcs
M		hanger & Screw (3x12mm)	6pcs +2pcs 6pcs
O		Handle & screw (4x16mm)	8pcs +2pcs 4pcs
N	 <p>x2 x2 x2 x4 (3.5x14mm) (4x45mm)</p>	Anti Fall Hardware	



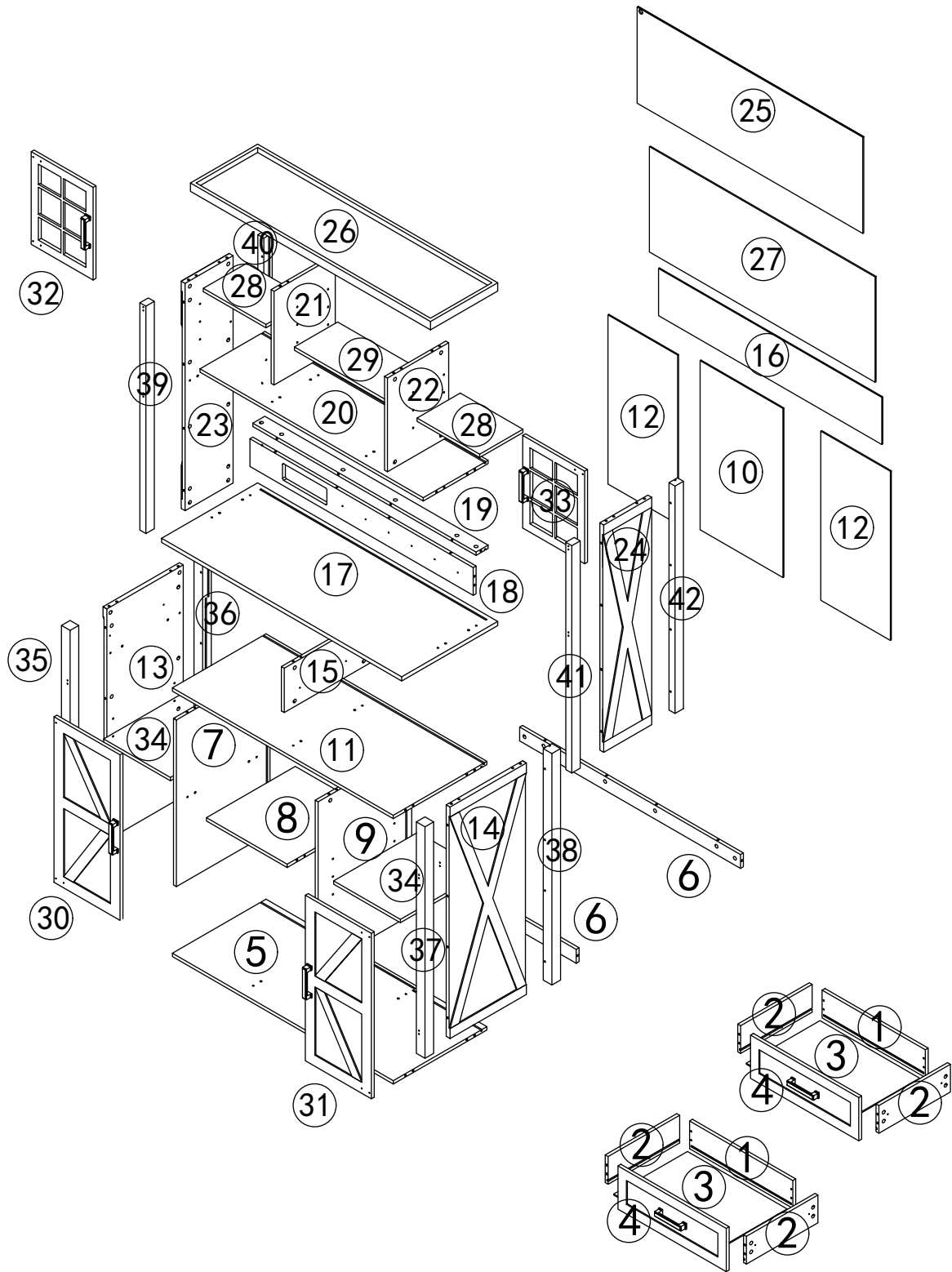
1pcs



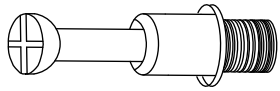
Double-head screwdriver, use as required

2

Product structure decomposition

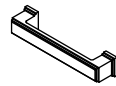


A



16pcs

D



2pcs



4pcs

B

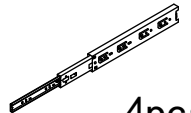


16pcs

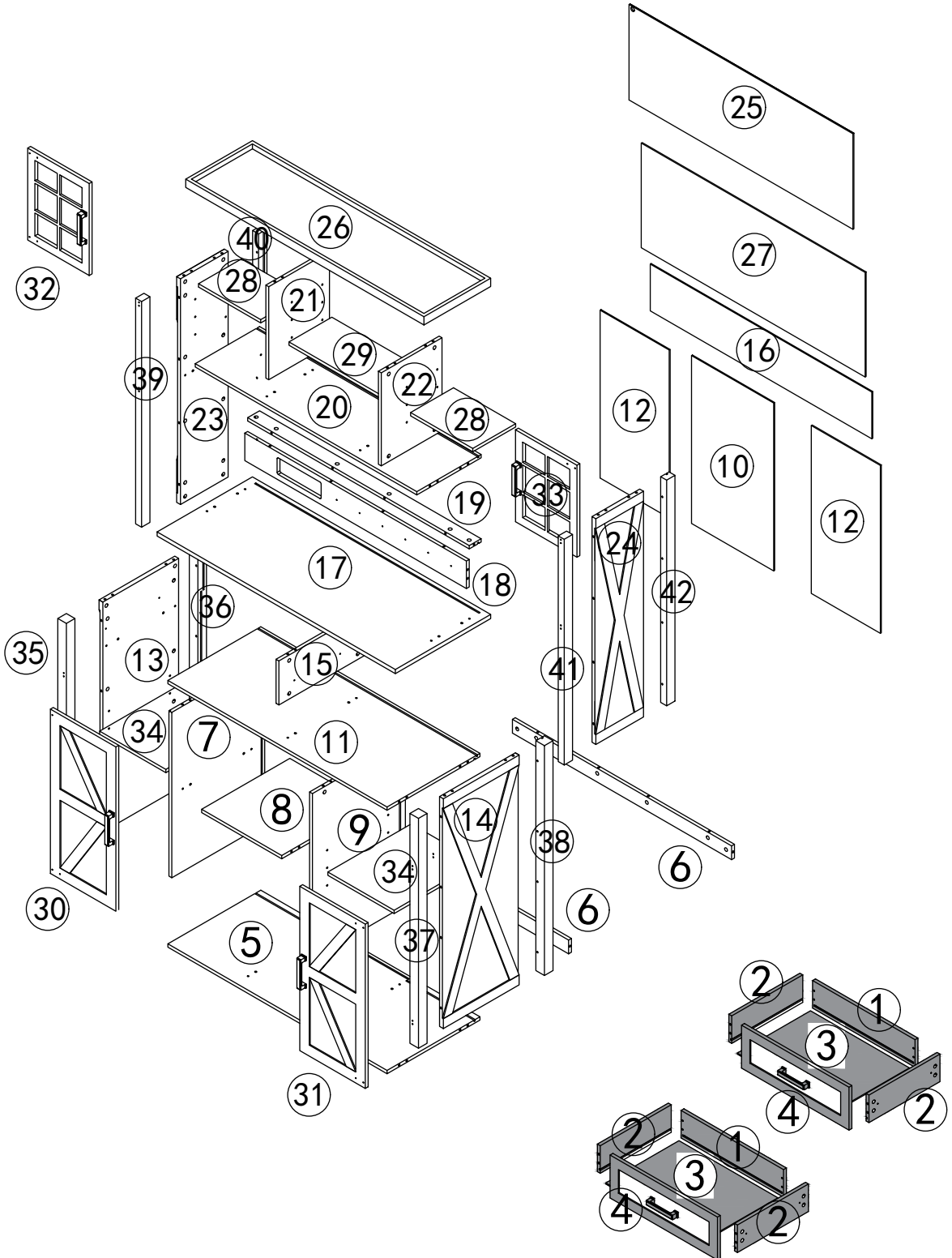
E



8pcs

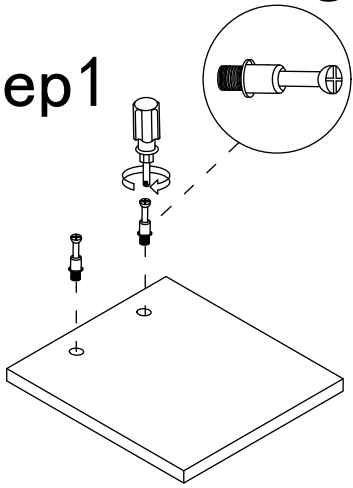


4pcs

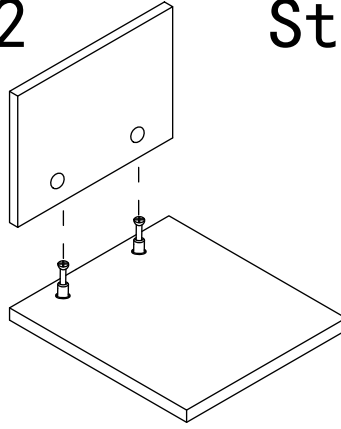


Use parts ① and ②

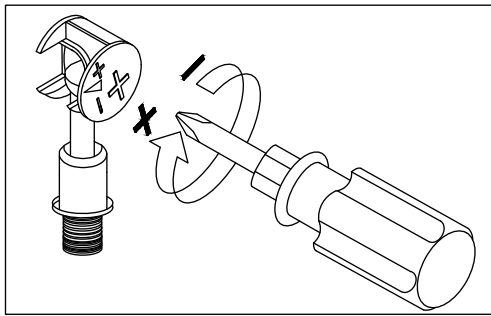
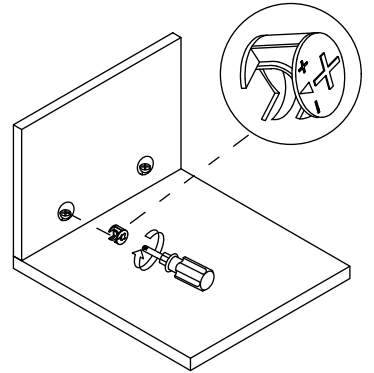
Step 1



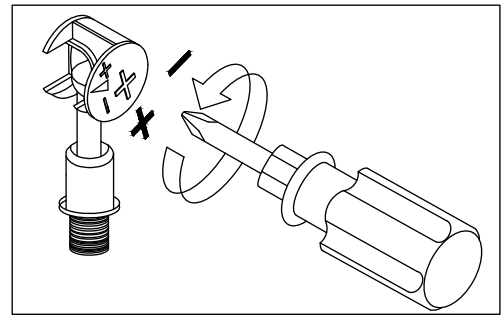
Step 2



Step 3

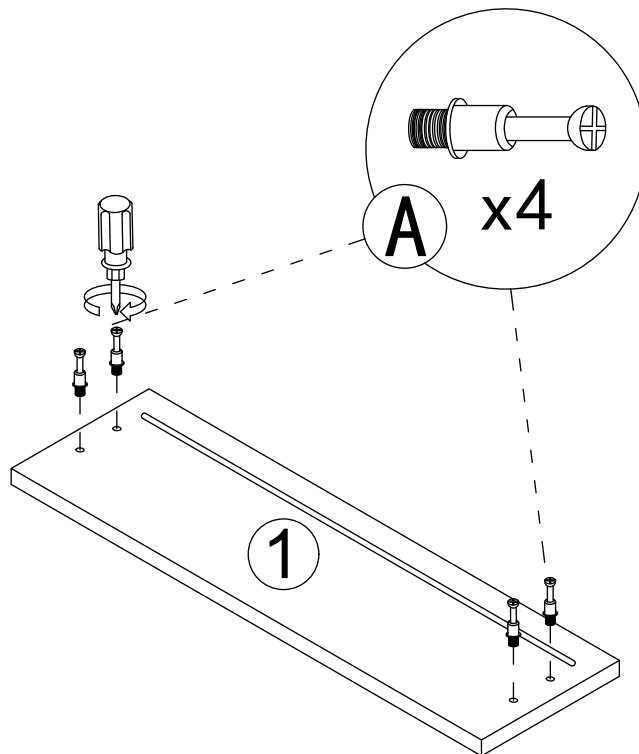
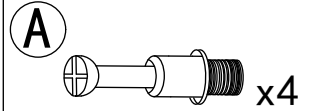


Use a screwdriver to lock in the direction of the "+" sign

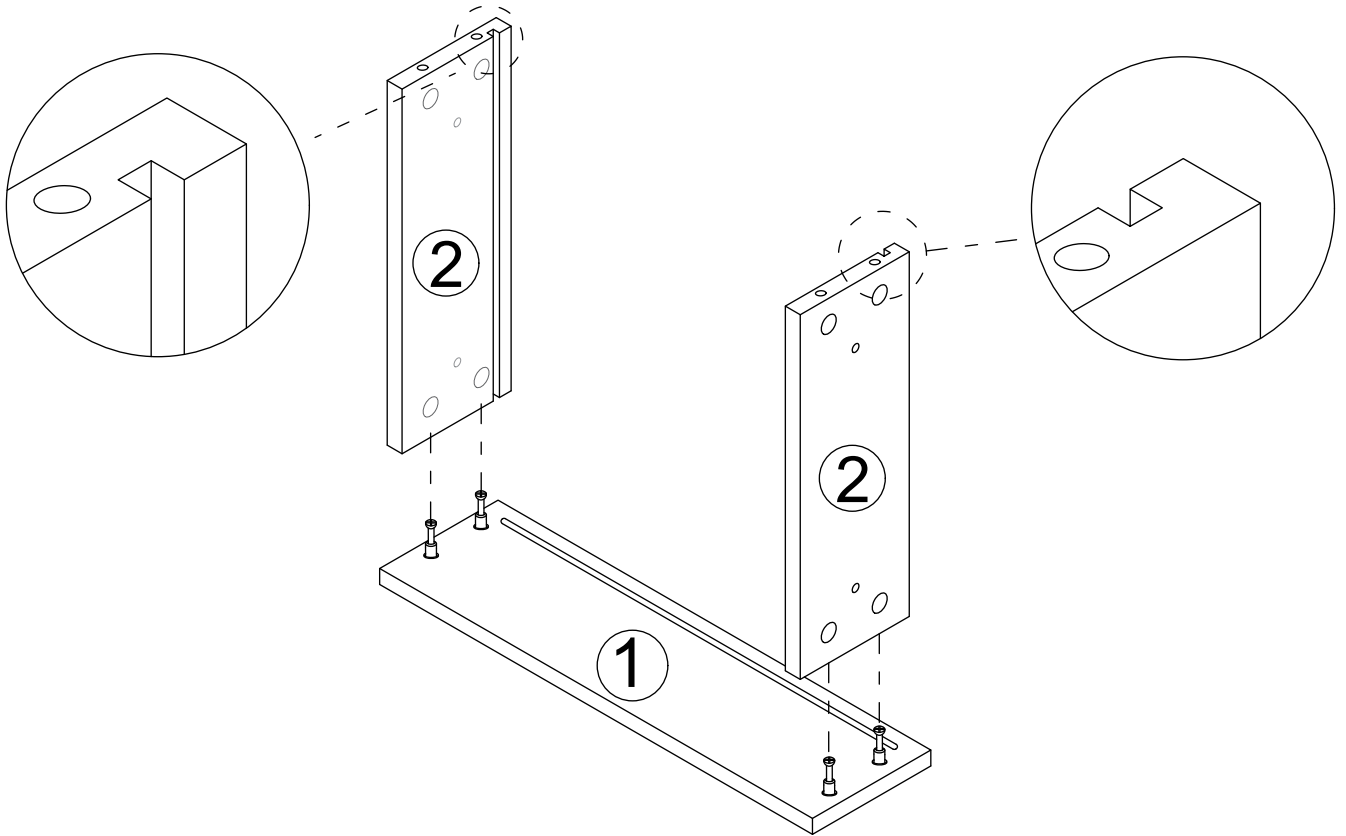


Disassemble along the direction of "-" sign

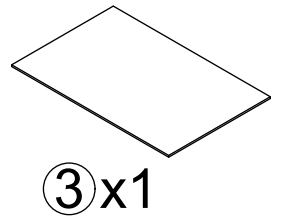
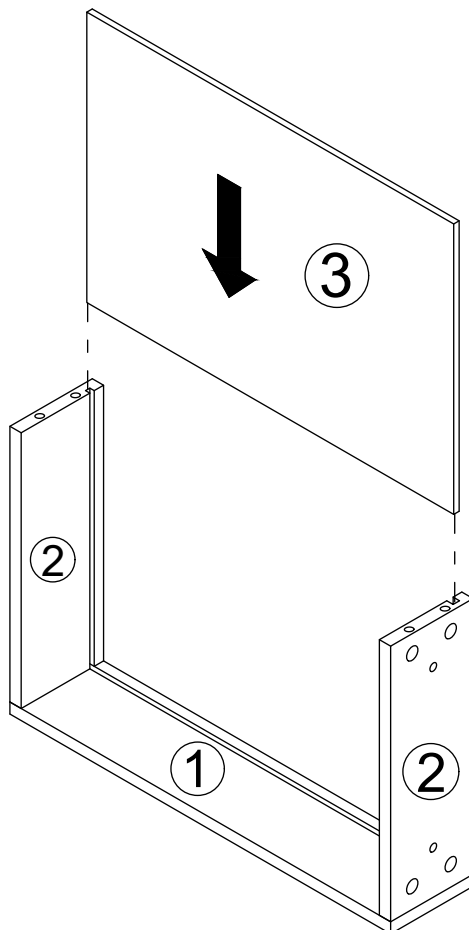
Step 1



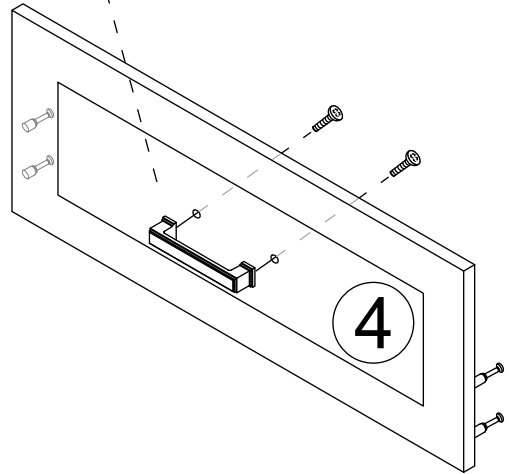
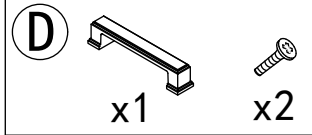
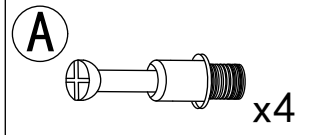
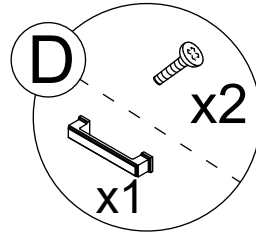
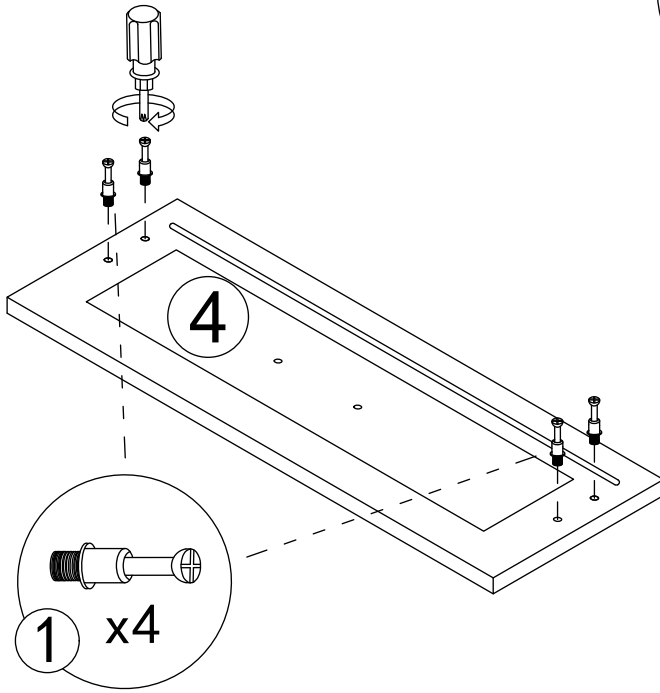
Step 2



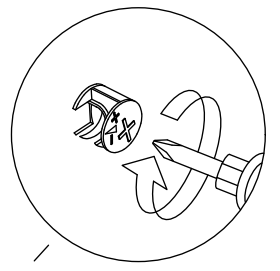
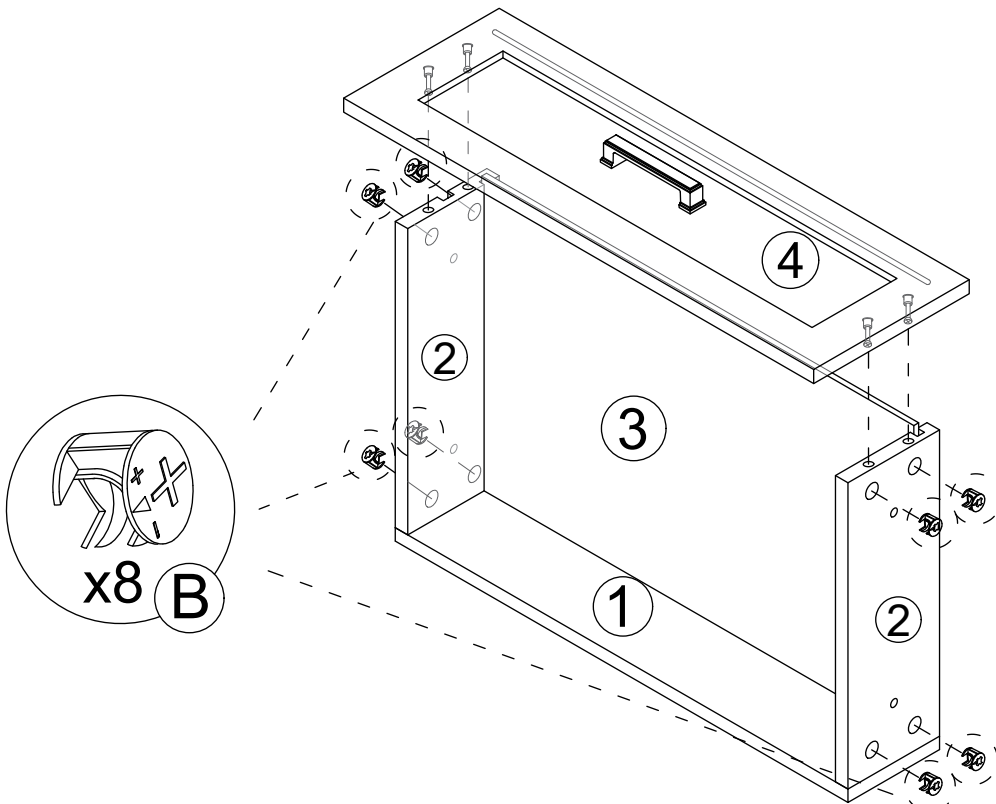
Step 3



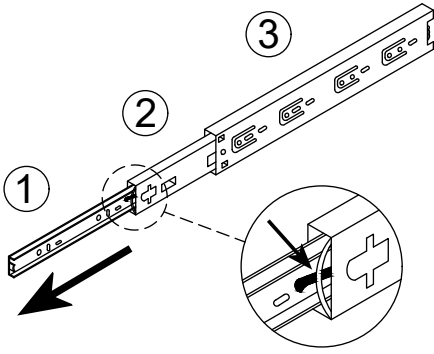
Step 4



Step 5

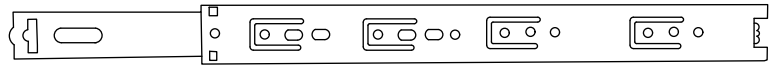
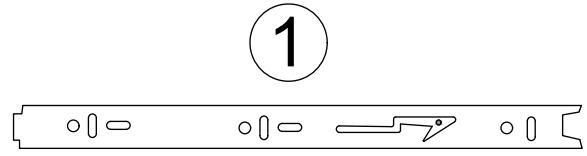


Drawer rail breakdown diagram



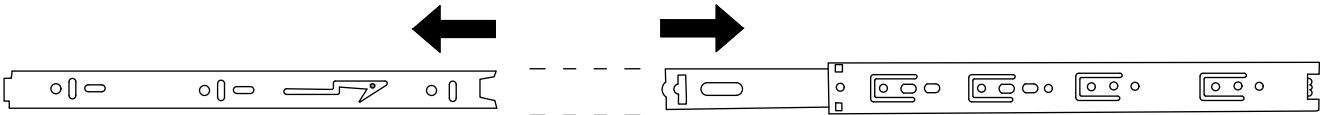
Step 1 : Pull the rails apart

Step 2 : Push the nylon buckle outward ①



②

③

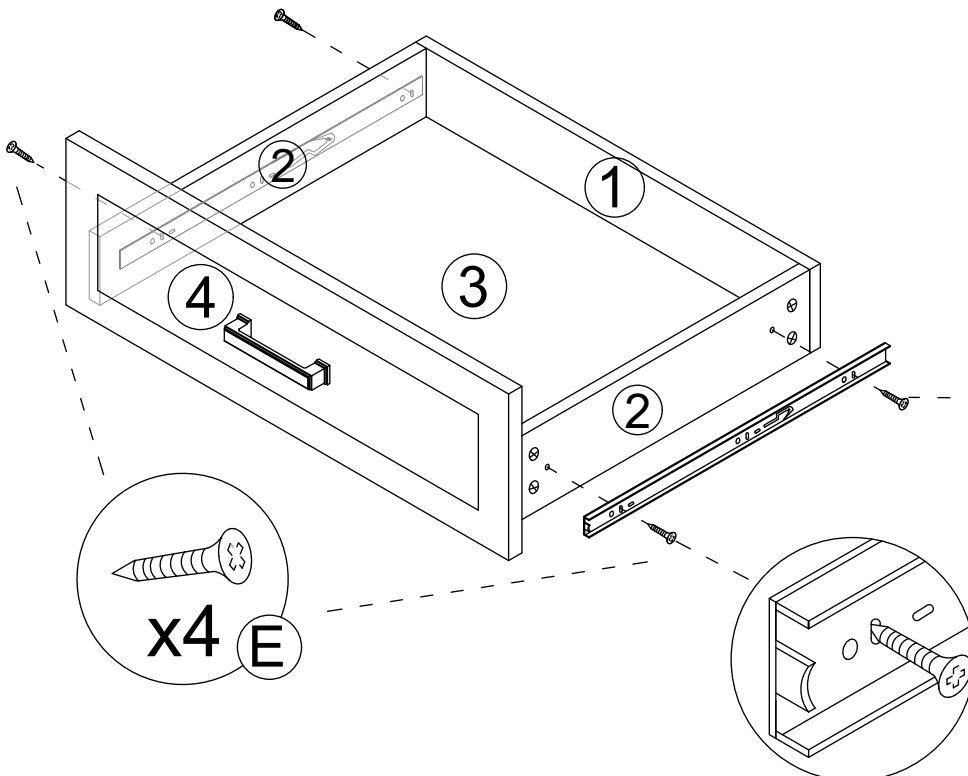
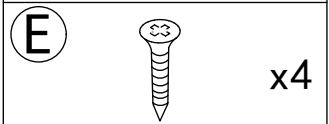
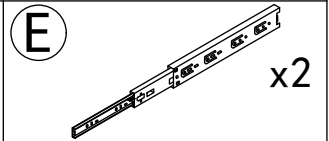
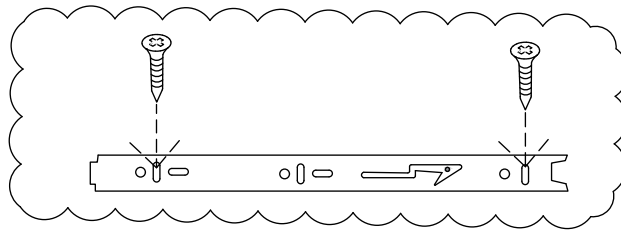


①

②

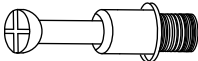

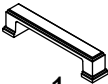


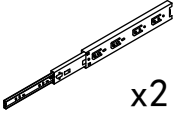
③

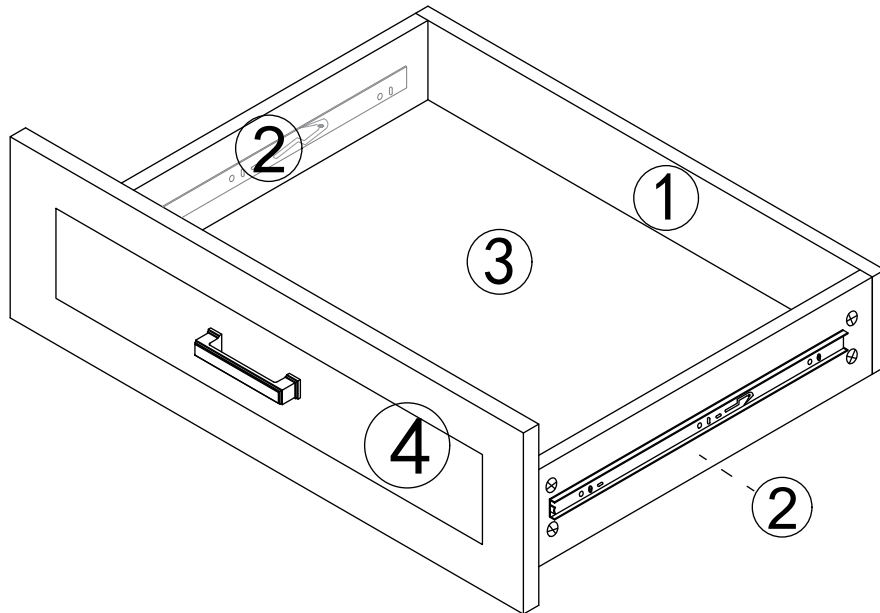
Step 6



x4 E

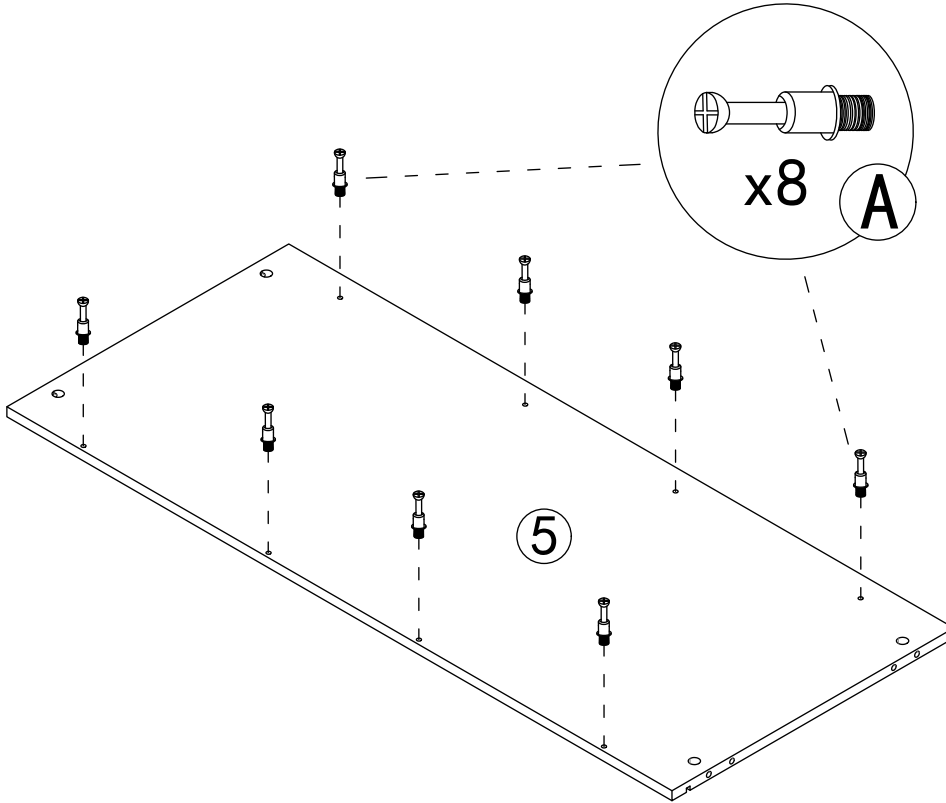
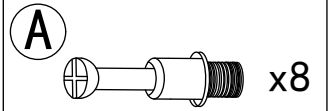
Step 7

- A**  x8
- B**  x8
- D**  x1  x2
- E**  x4  x2

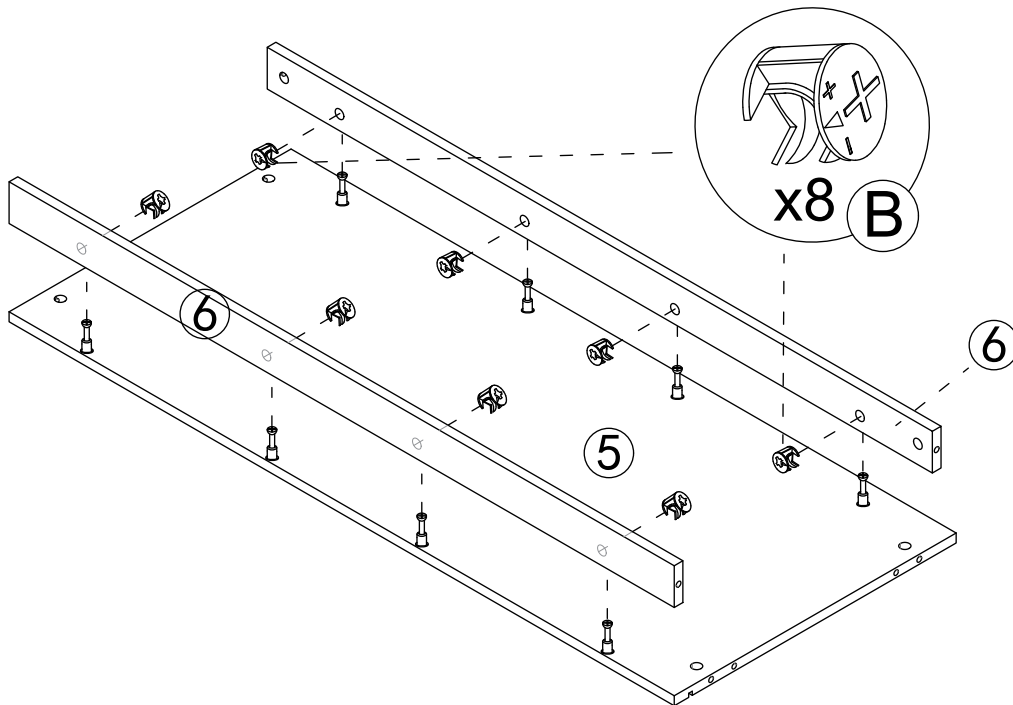


Use the same way to install another drawer

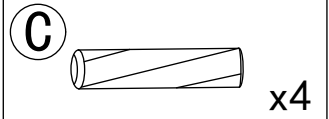
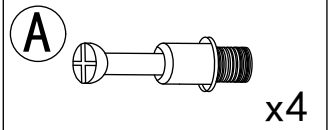
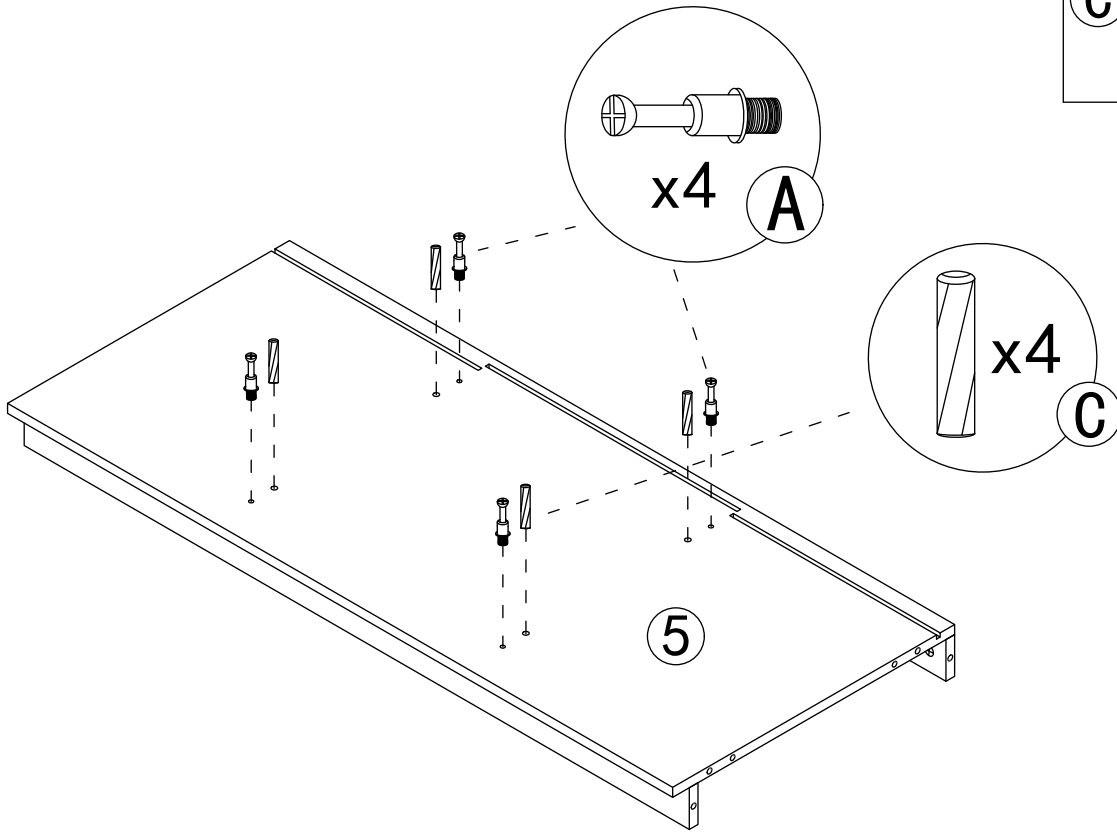
Step 8



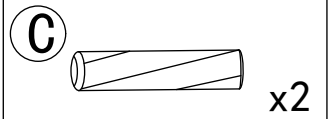
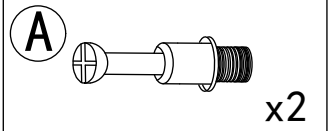
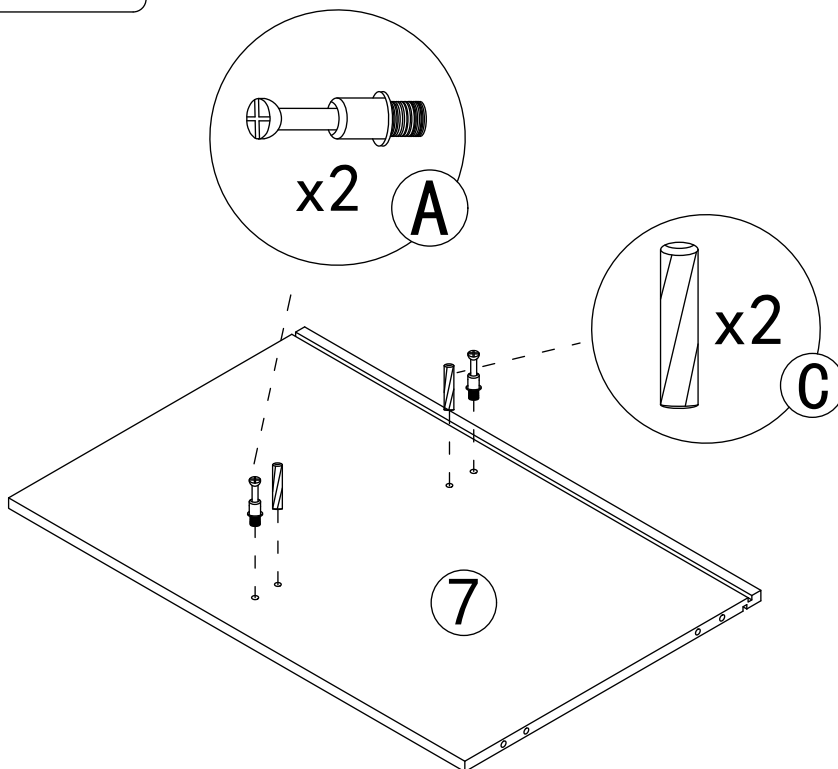
Step 9



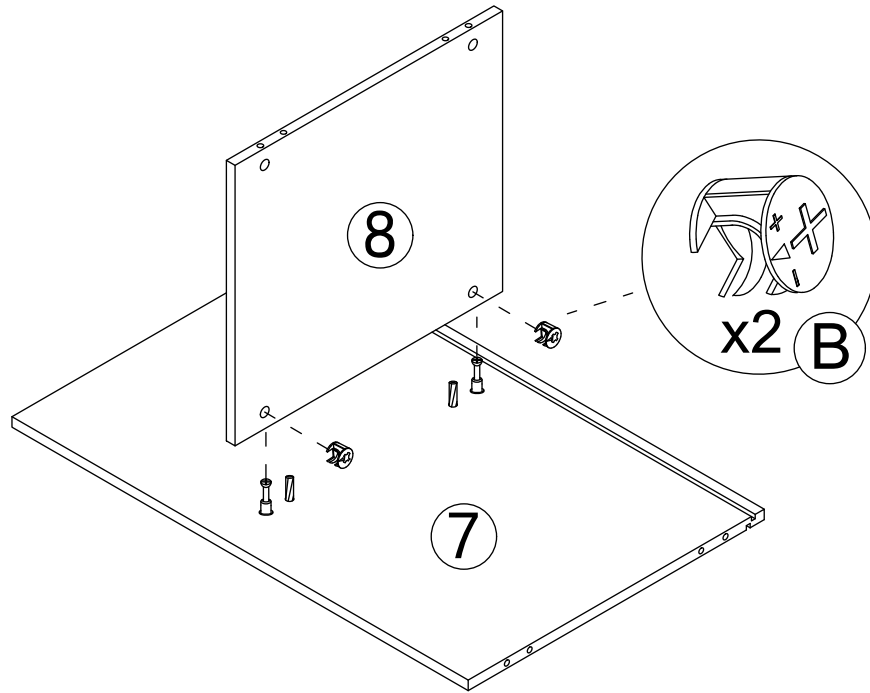
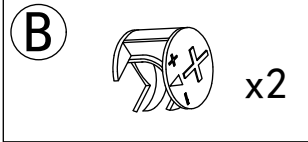
Step 10



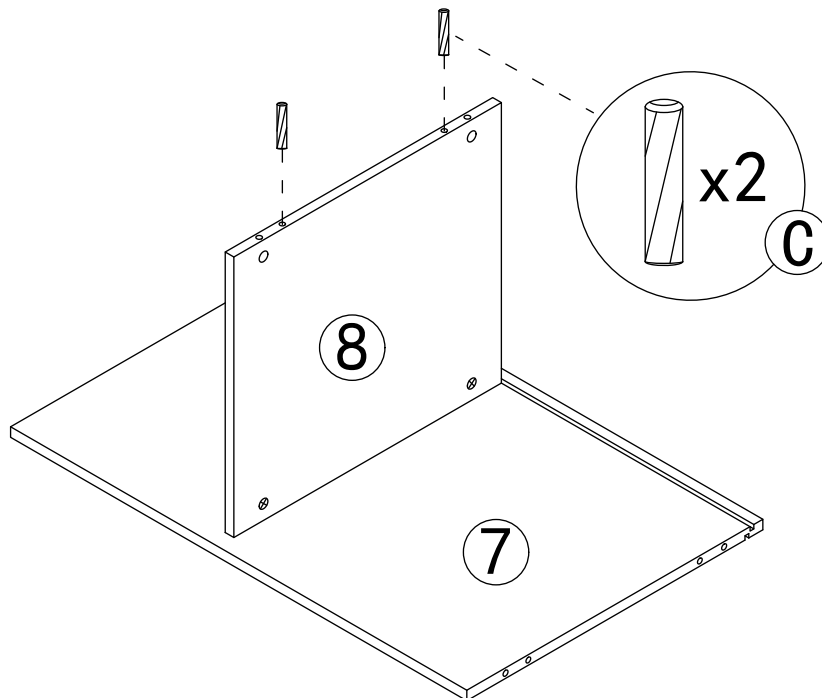
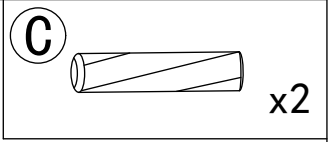
Step 11



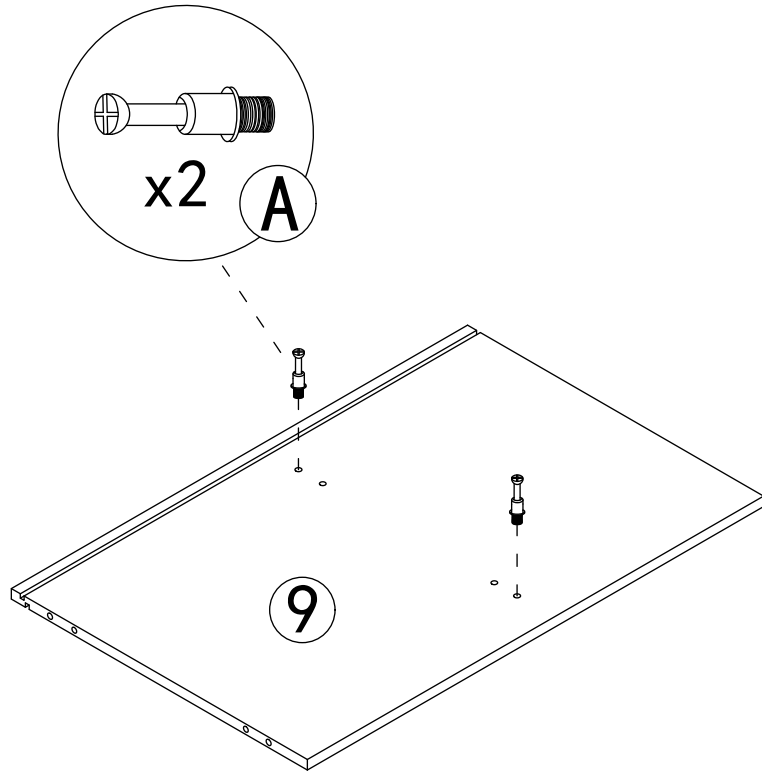
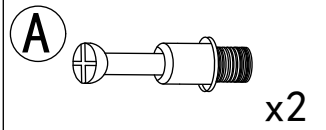
Step 12



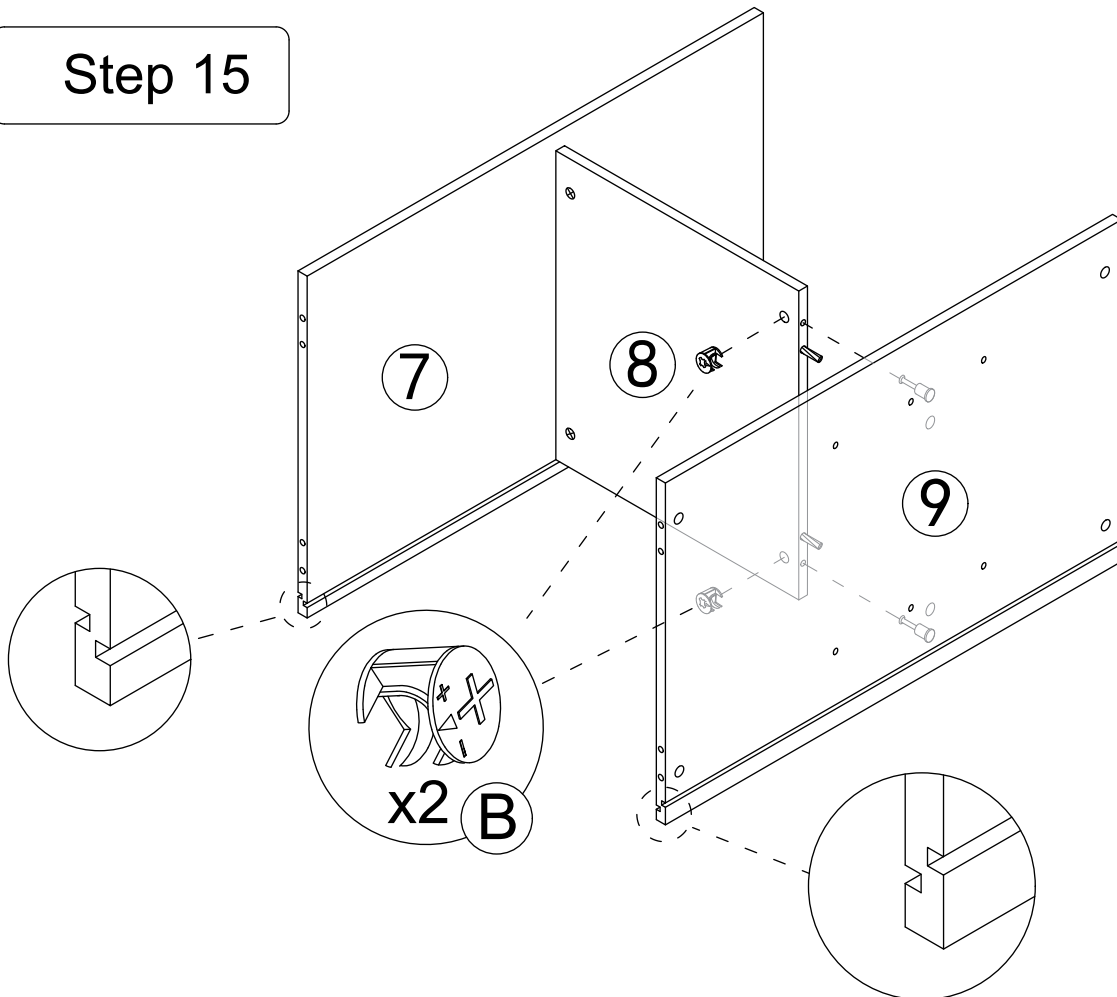
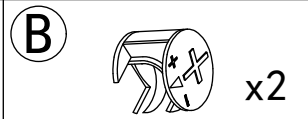
Step 13




Step 14

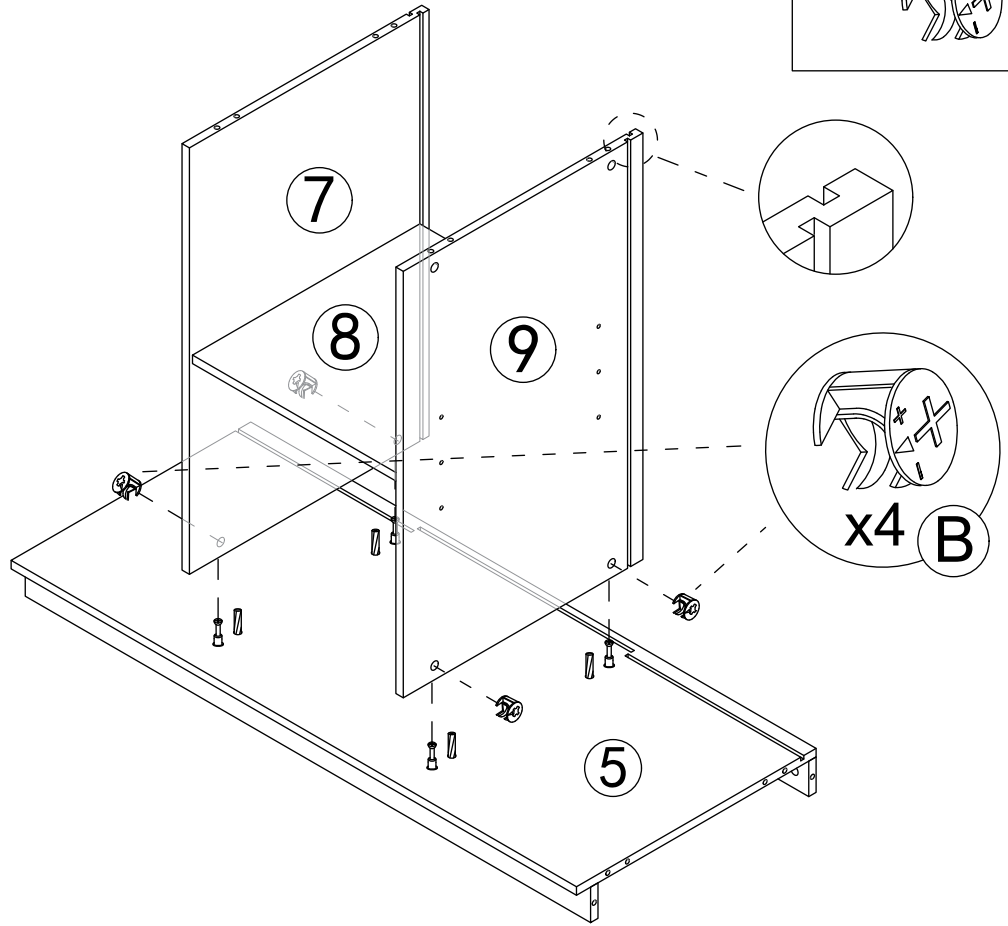


Step 15

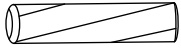


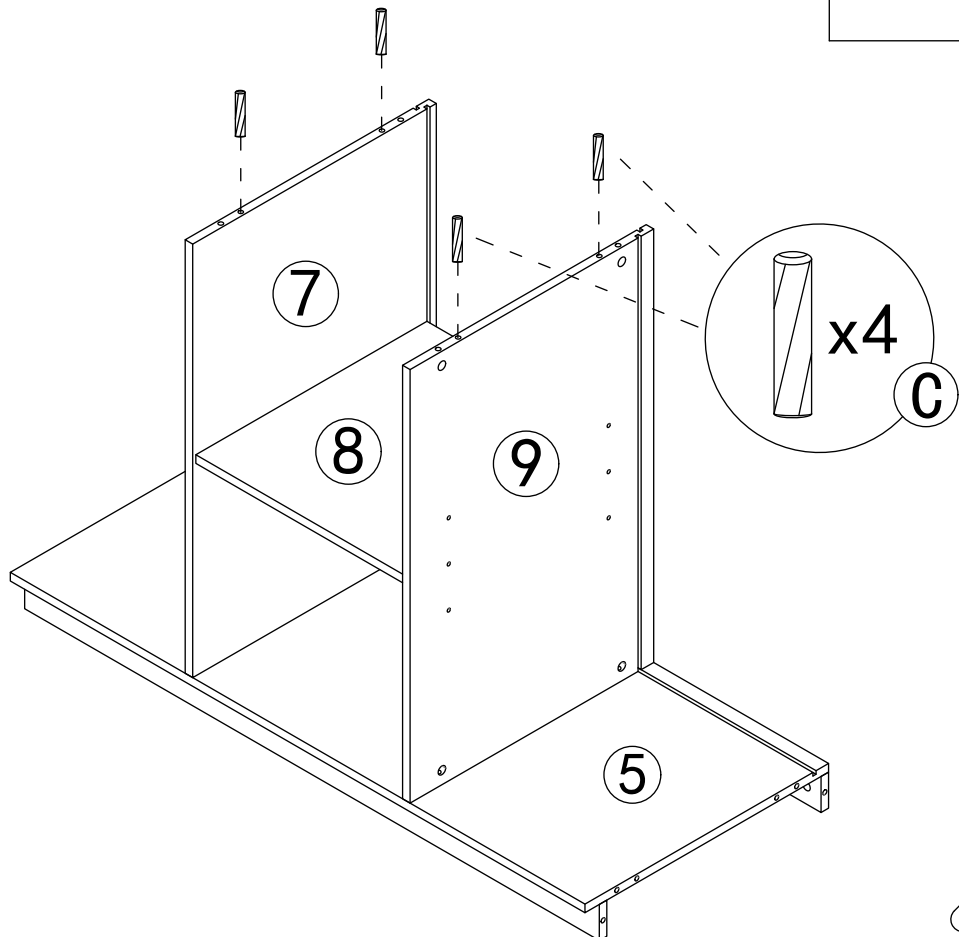
Step 16

B  x4

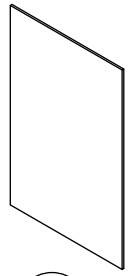


Step 17

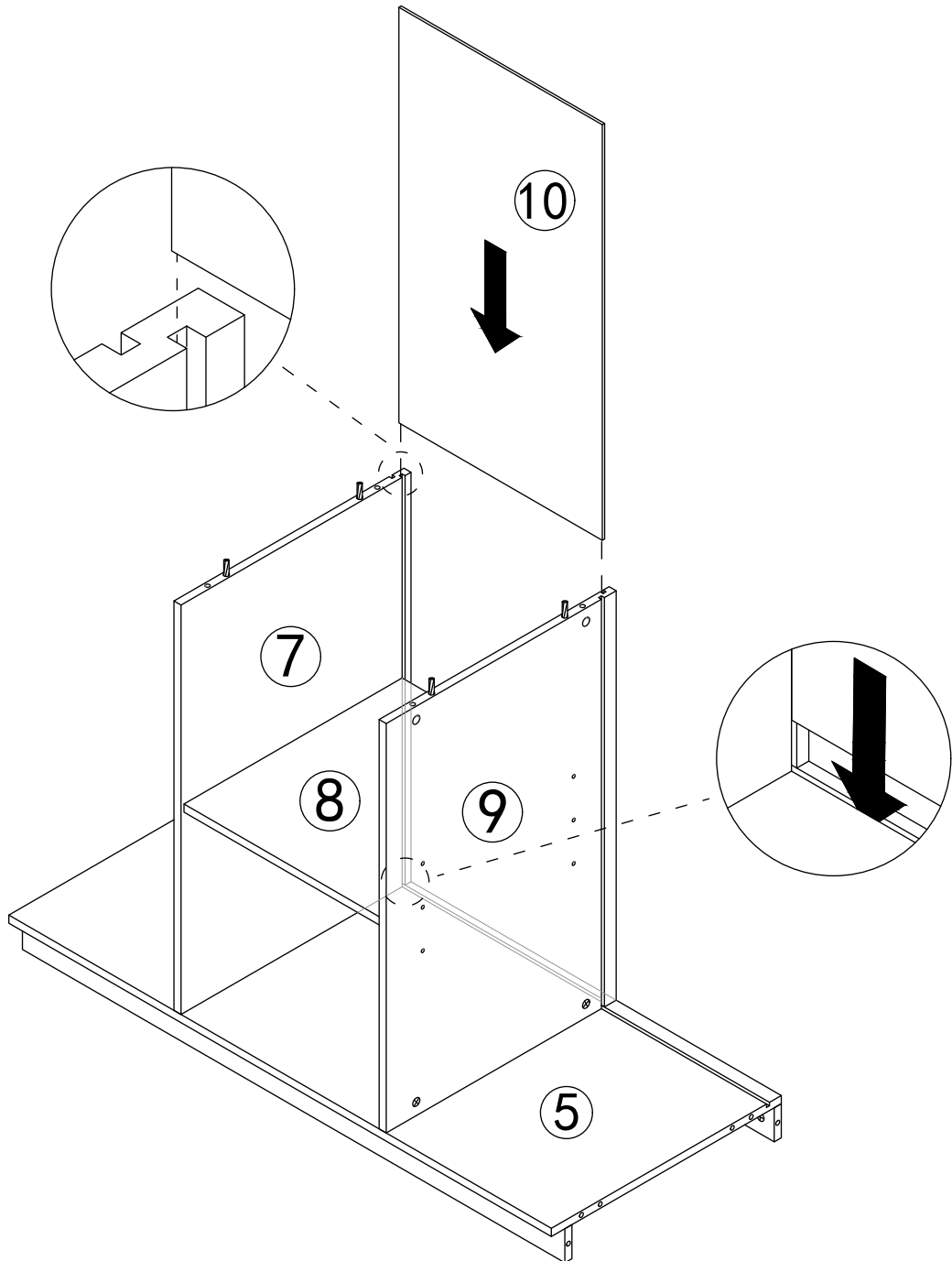
C  x4



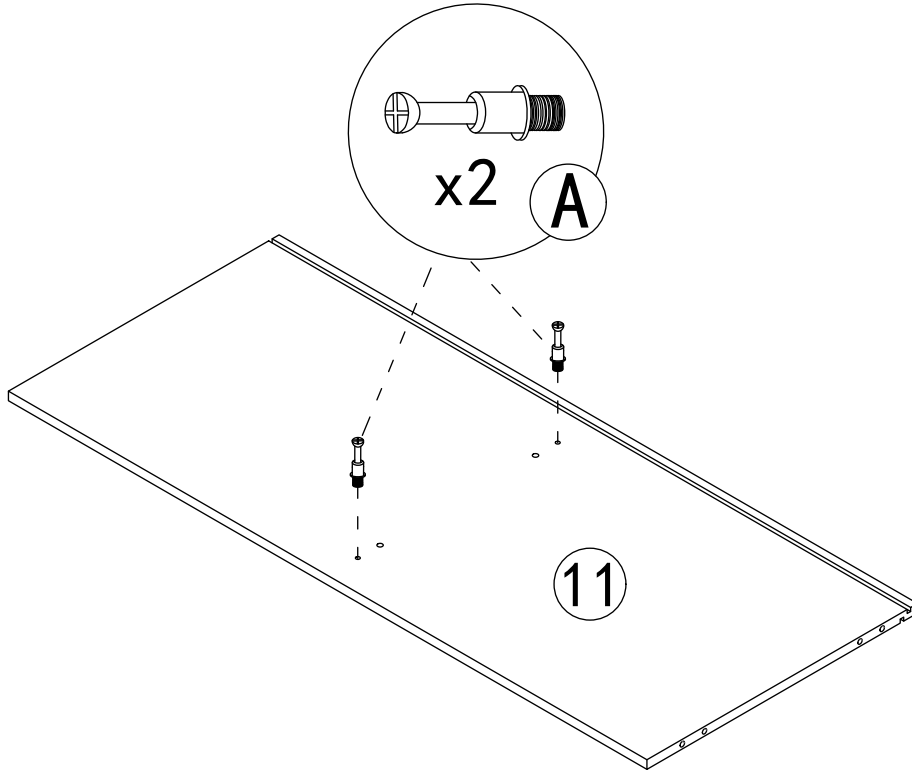
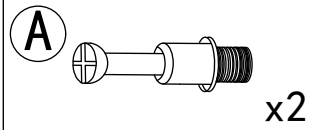
Step 18



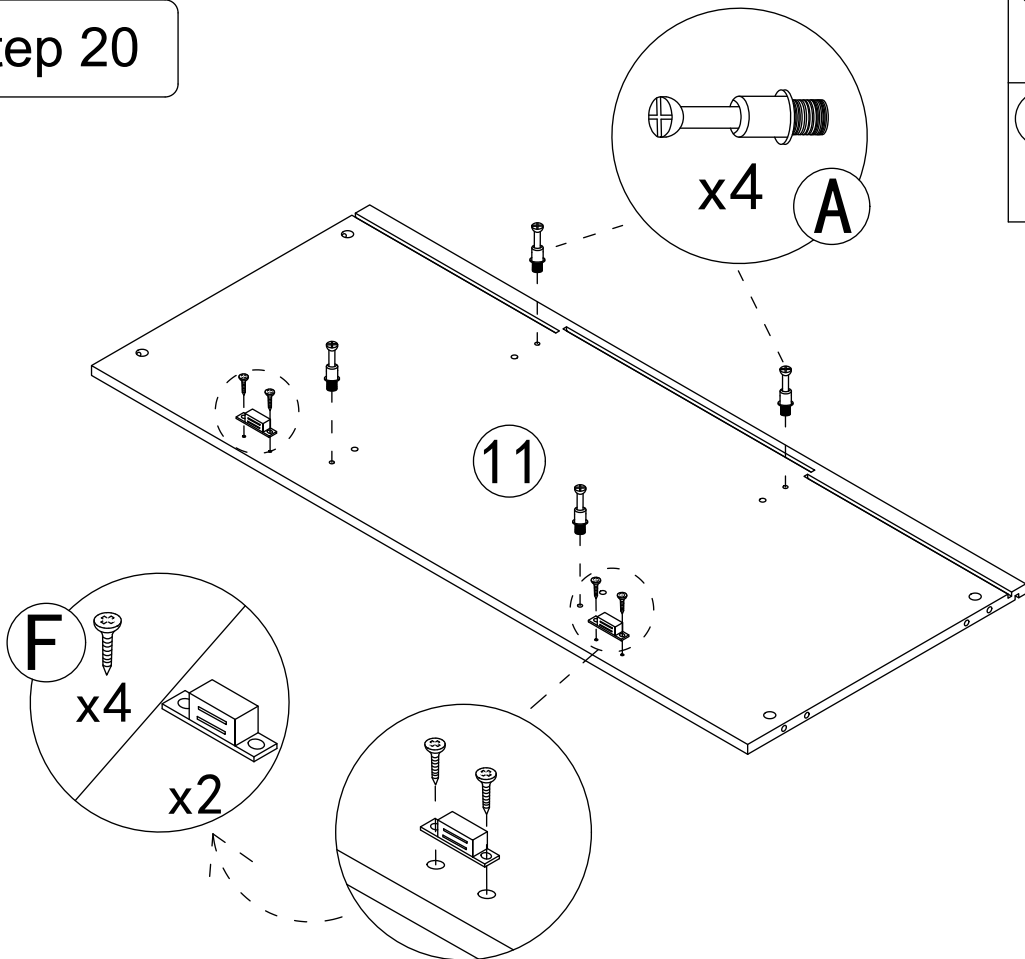
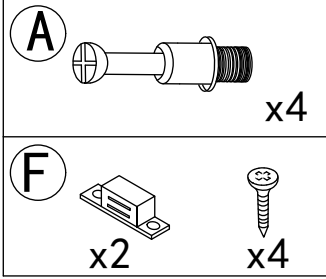
10 x1




Step 19

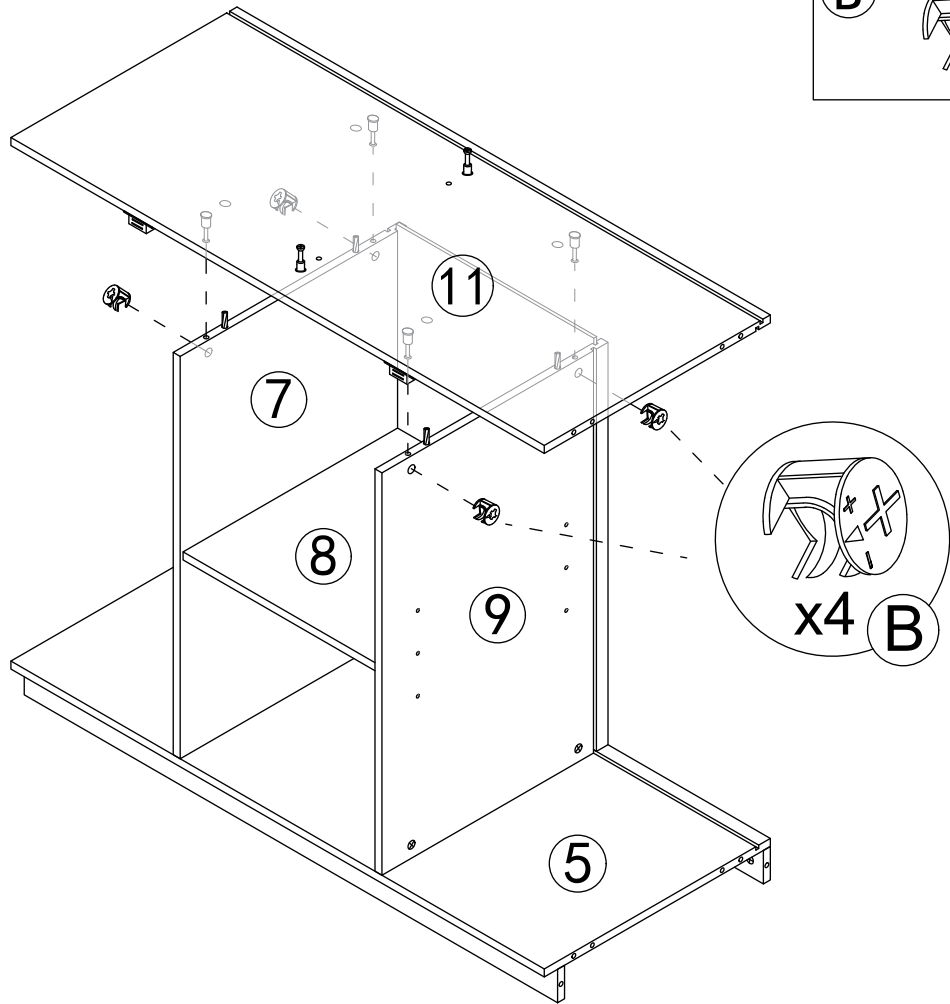


Step 20

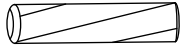


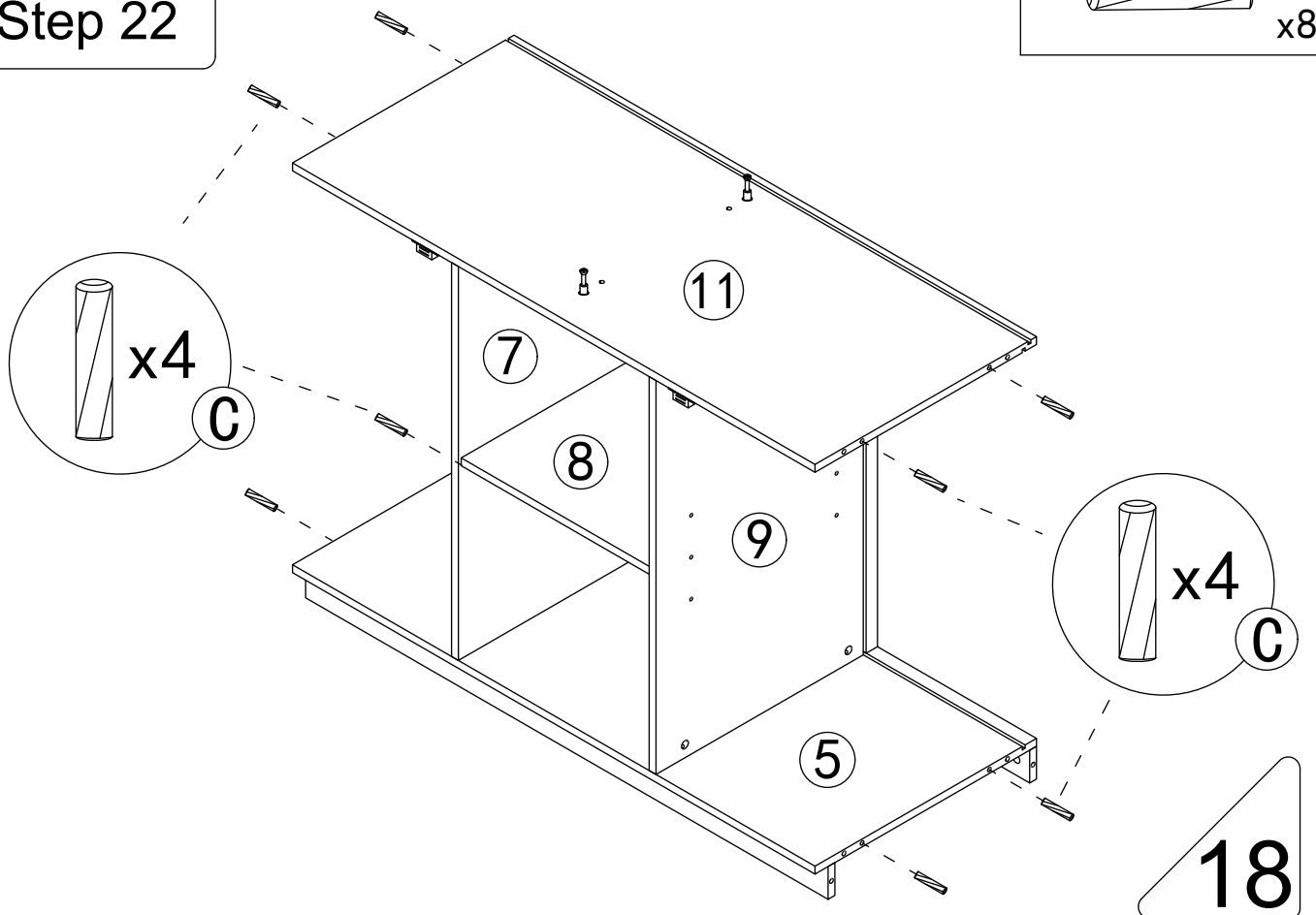
Step 21

B  x4

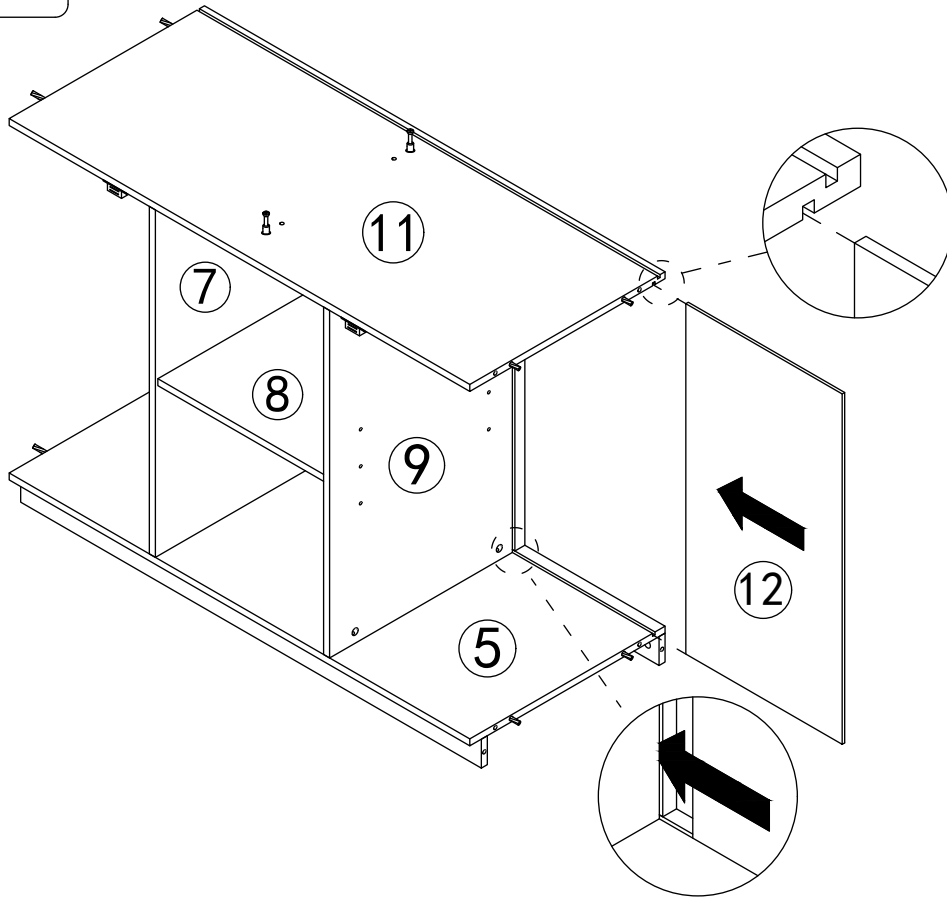


Step 22

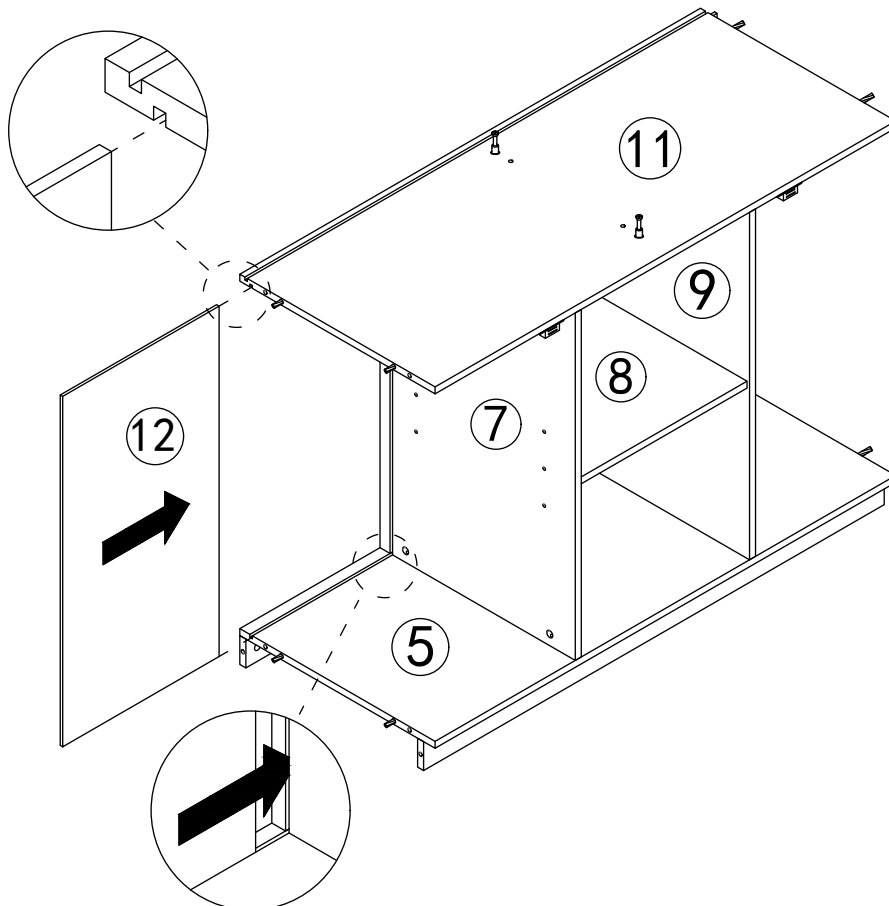
C  x8



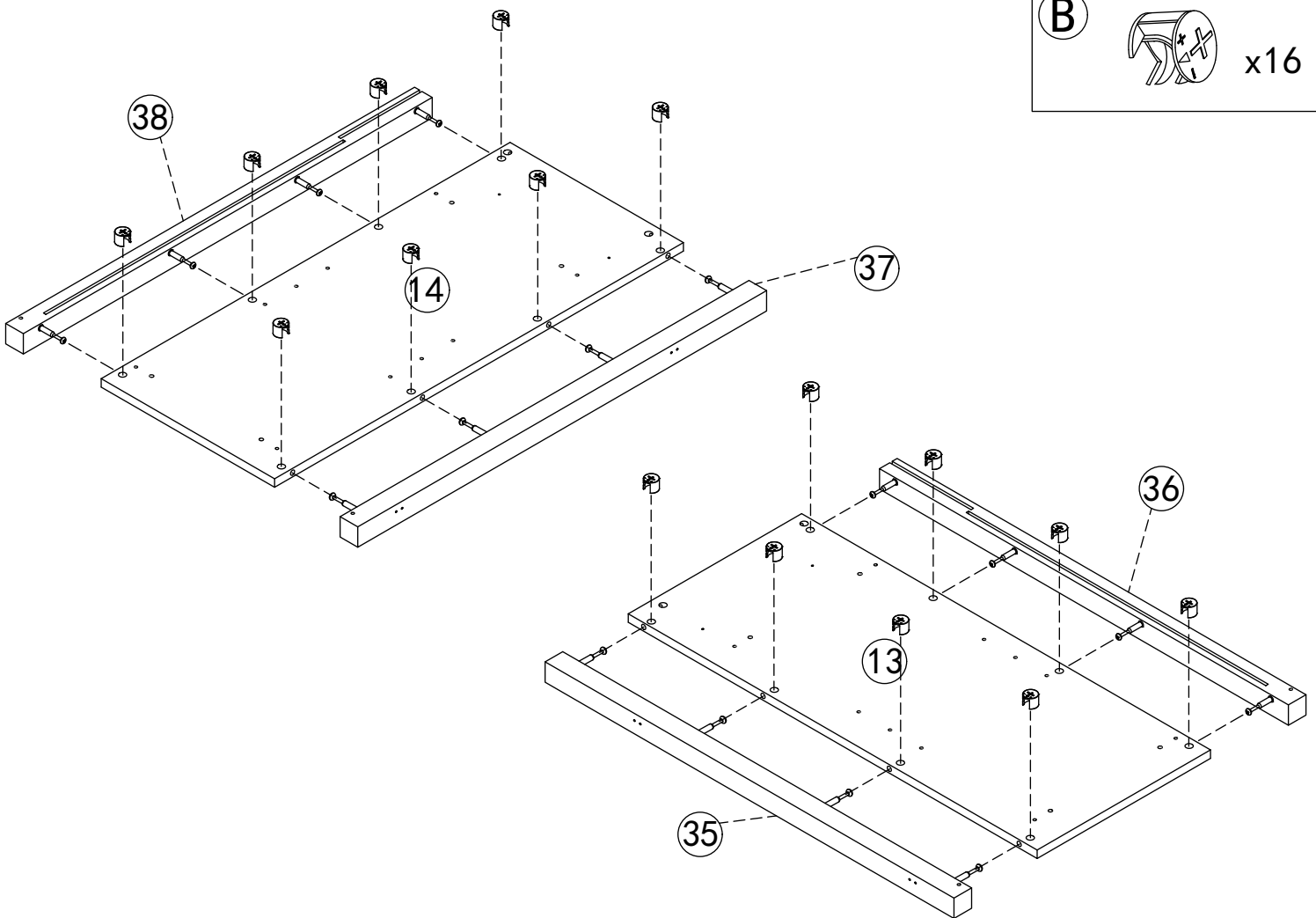
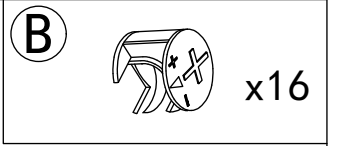
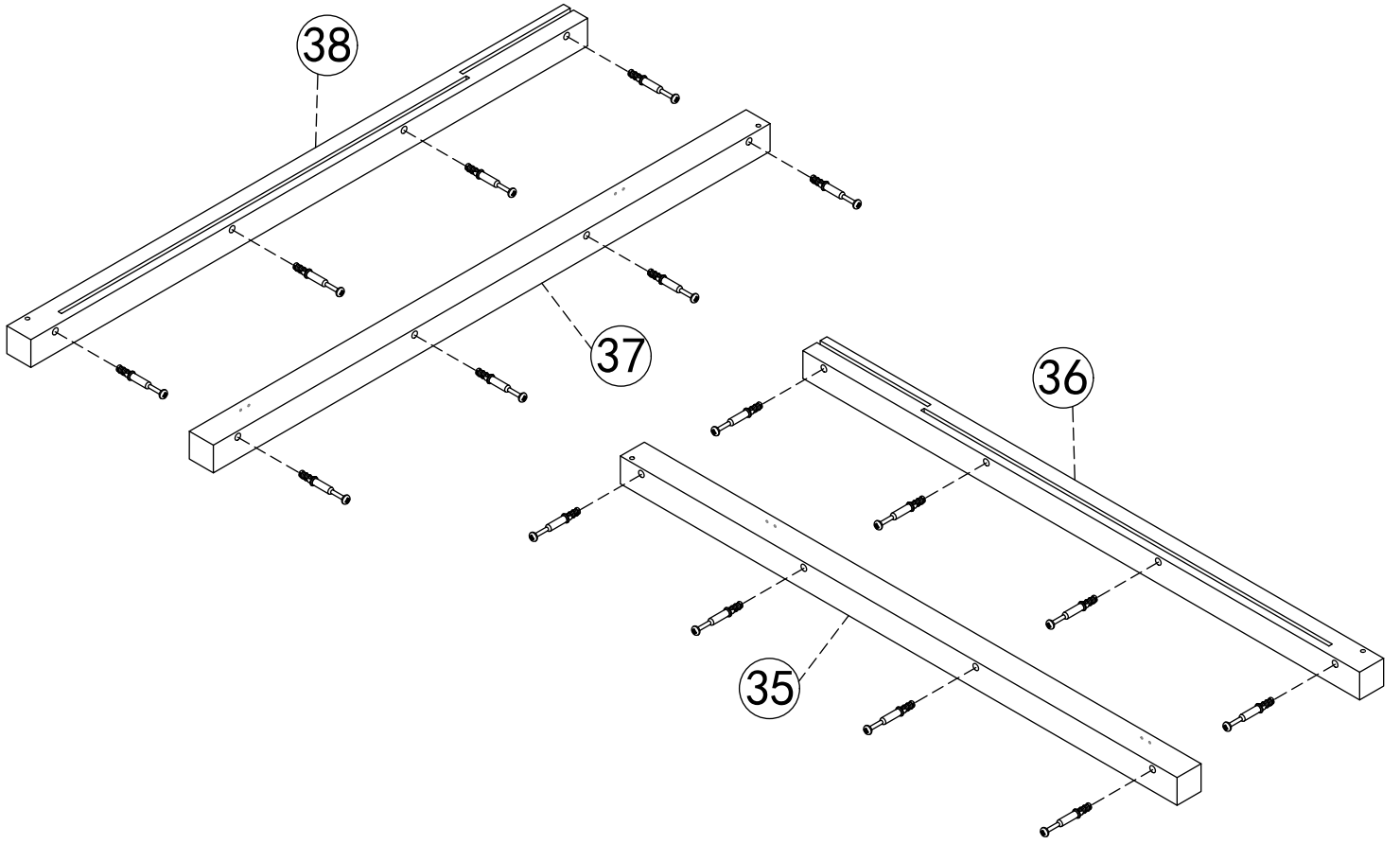
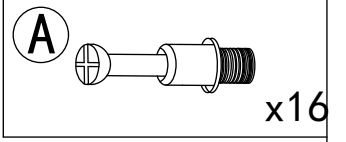
Step 23



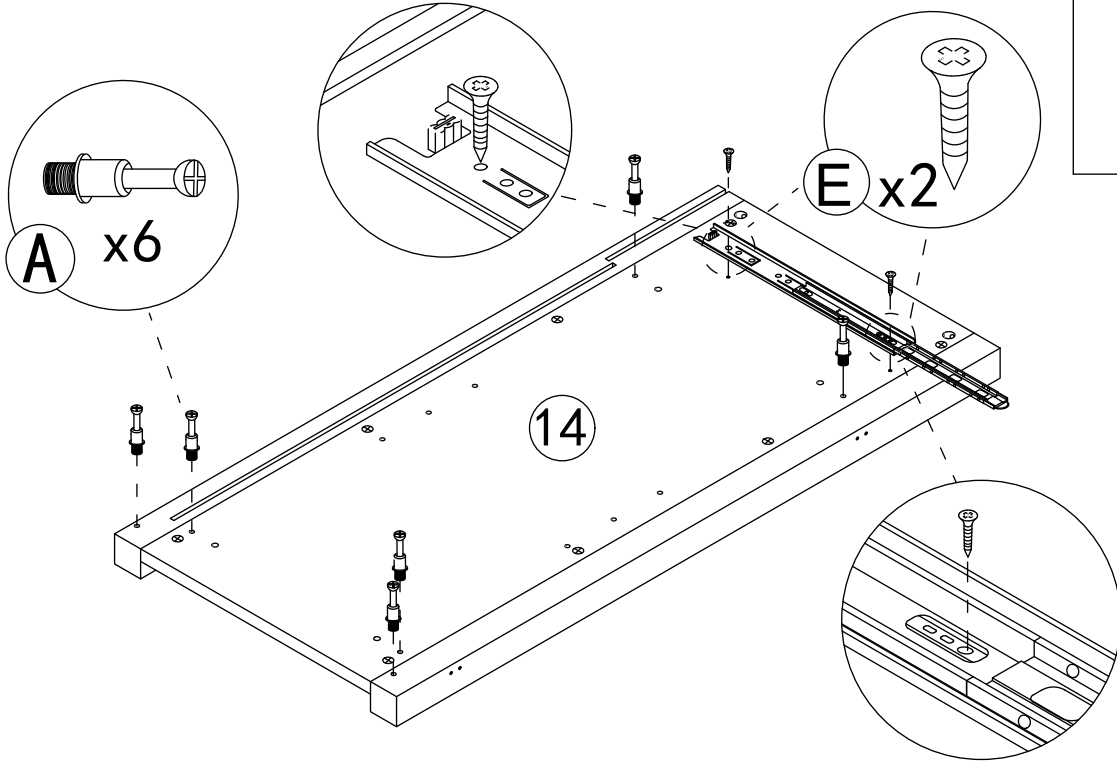
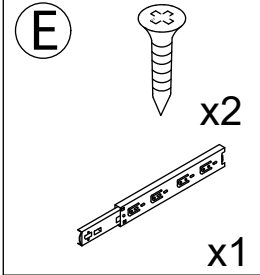
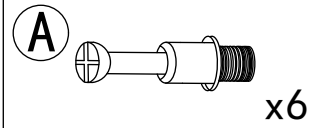
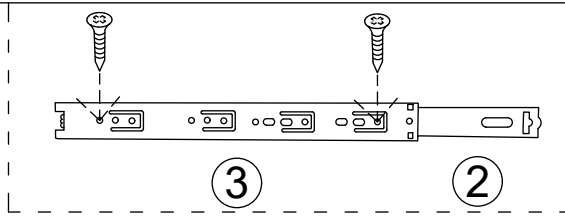
12 x2



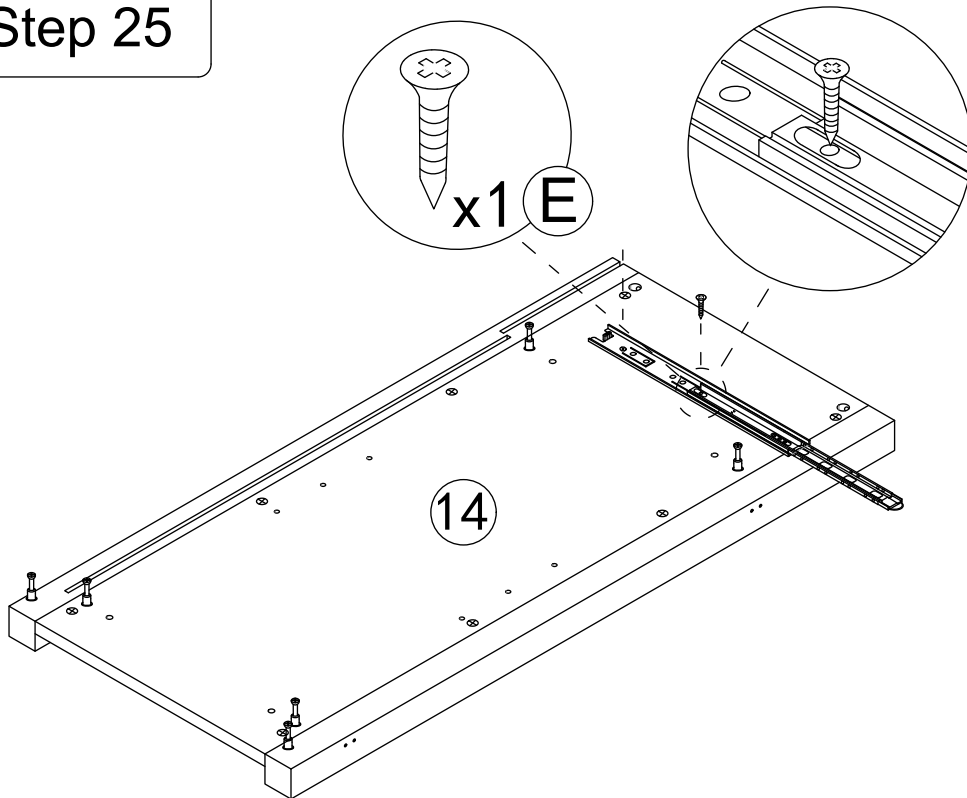
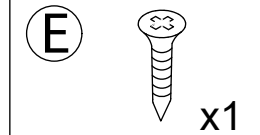
Note :



Step 24

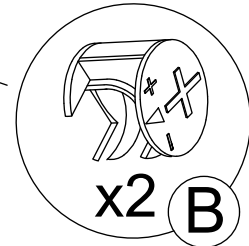
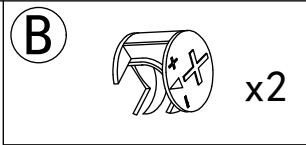
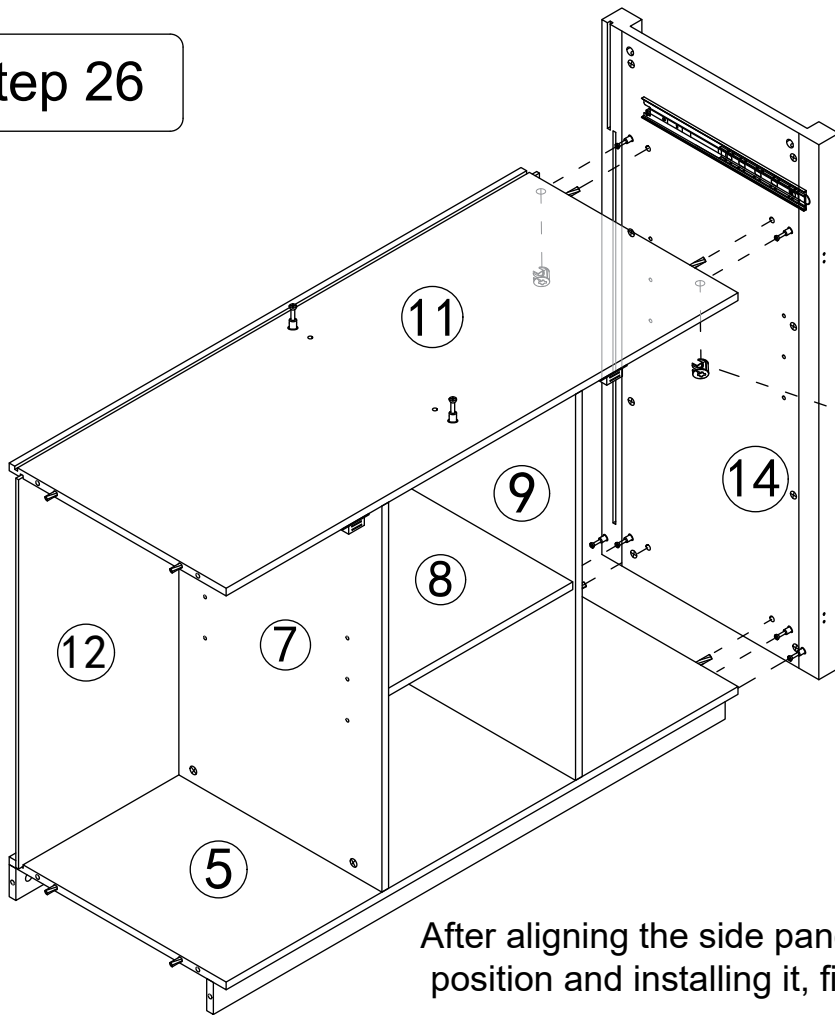


Step 25



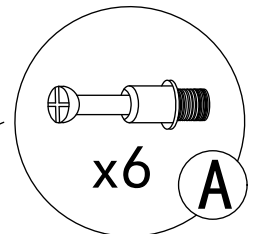
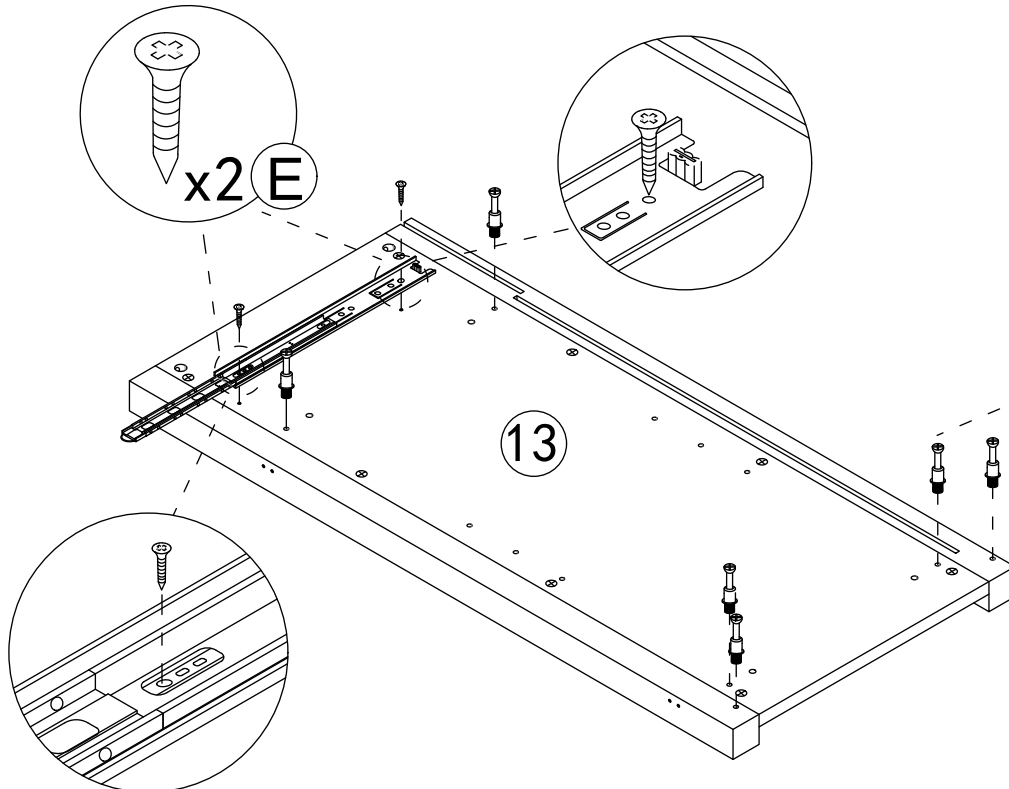
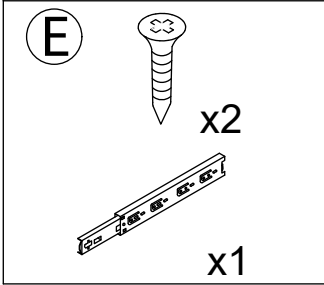
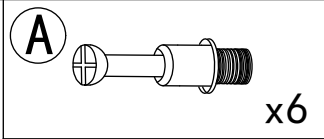
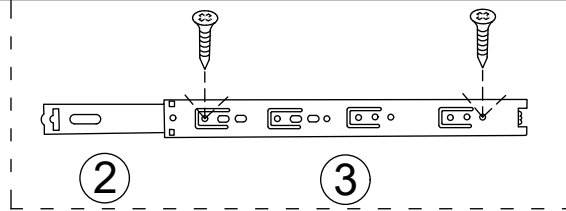
This hole is for strengthening fixed hole customers can choose to install according to their needs.

Step 26



After aligning the side panel 14 with the hole position and installing it, first tighten the two nuts on top

Step 27

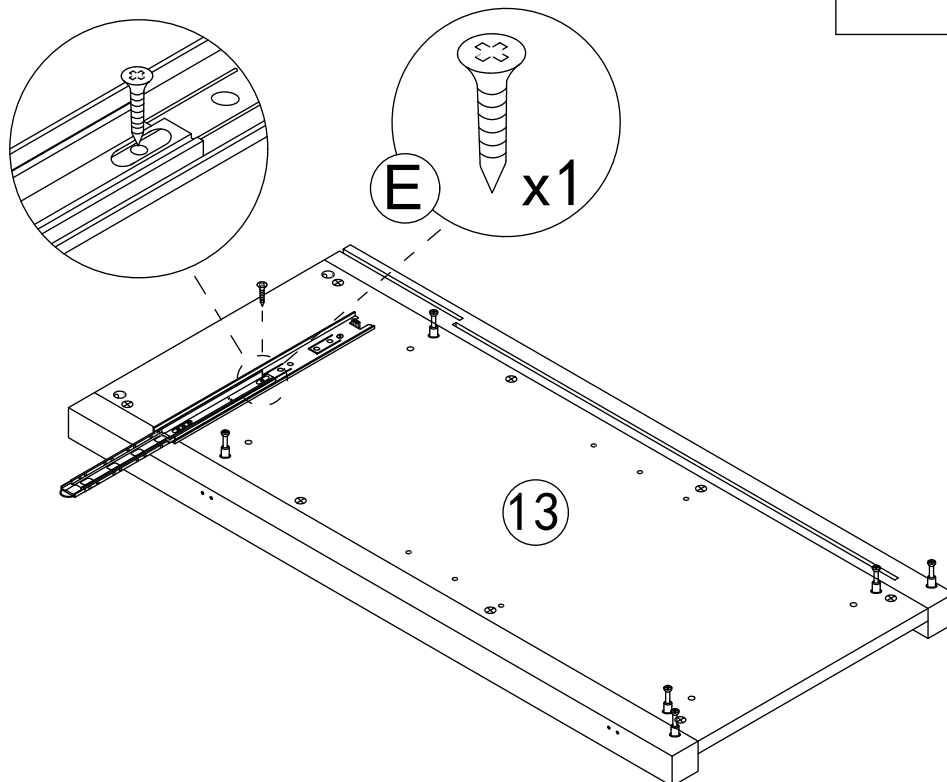


Step 28

E



x1



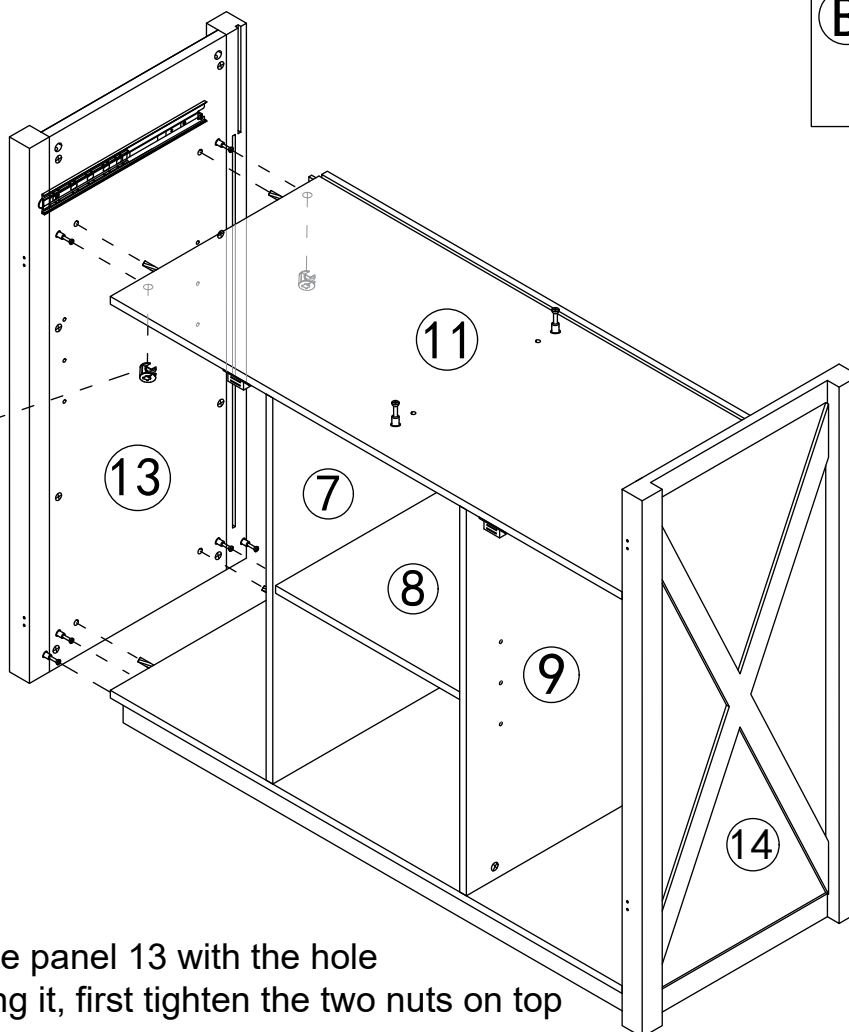
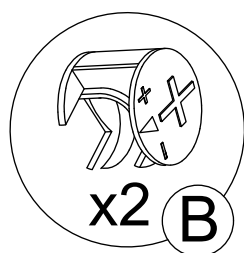
This hole is for strengthening fixed hole customers can choose to install according to their needs.

Step 29

B



x2



After aligning the side panel 13 with the hole position and installing it, first tighten the two nuts on top

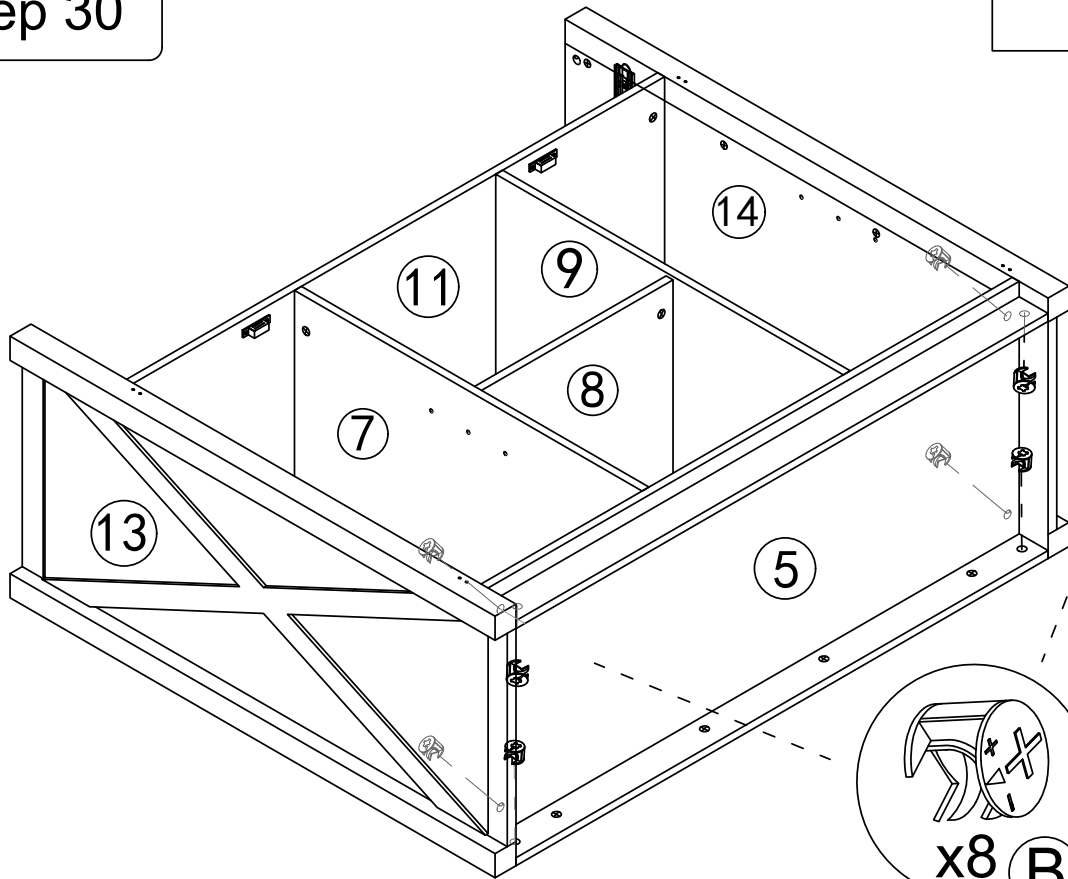
22

Step 30

B

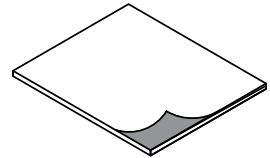


x8



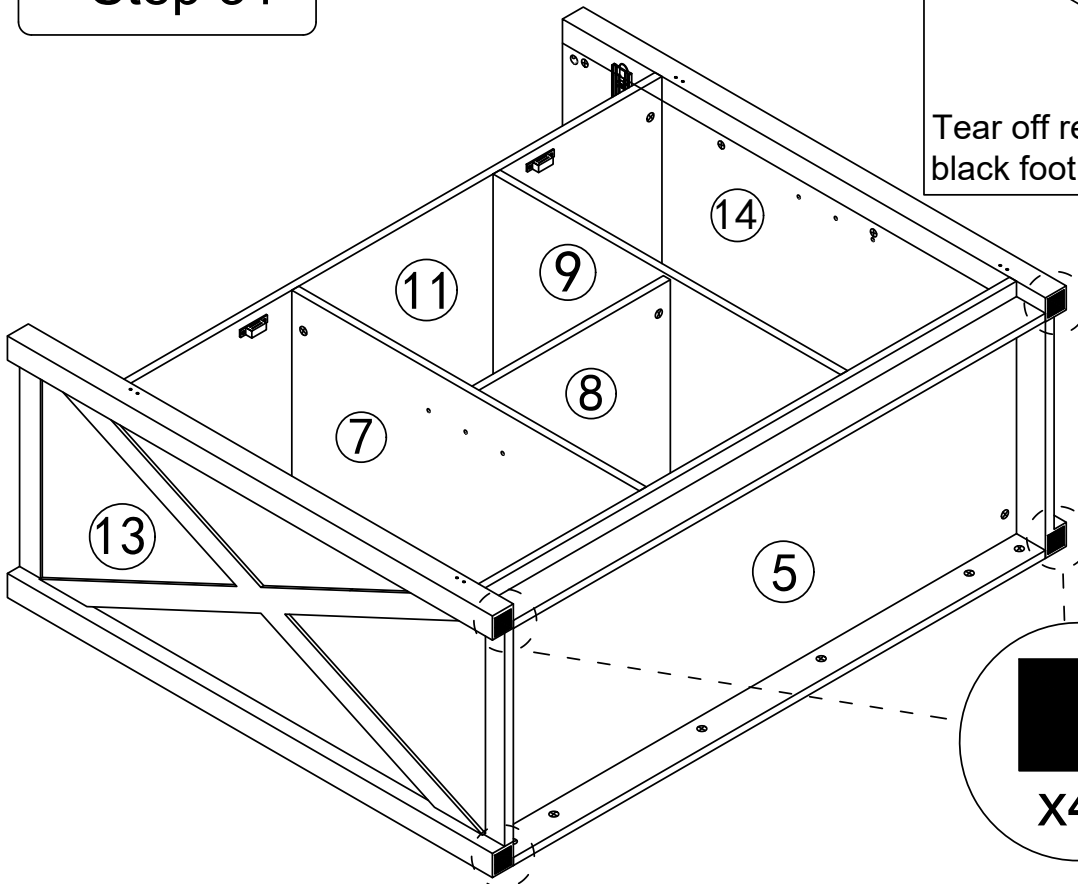
Step 31

L

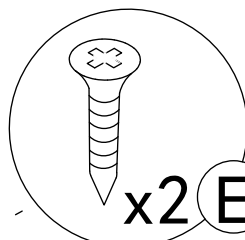
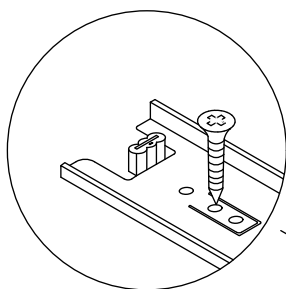
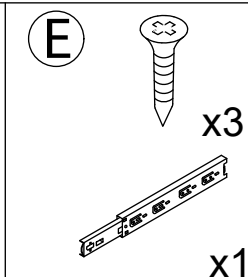
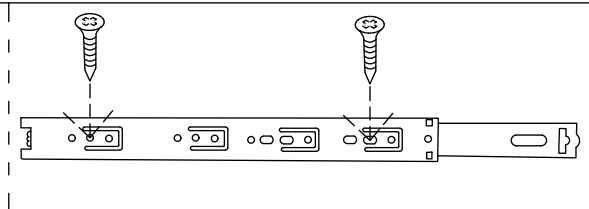


x4

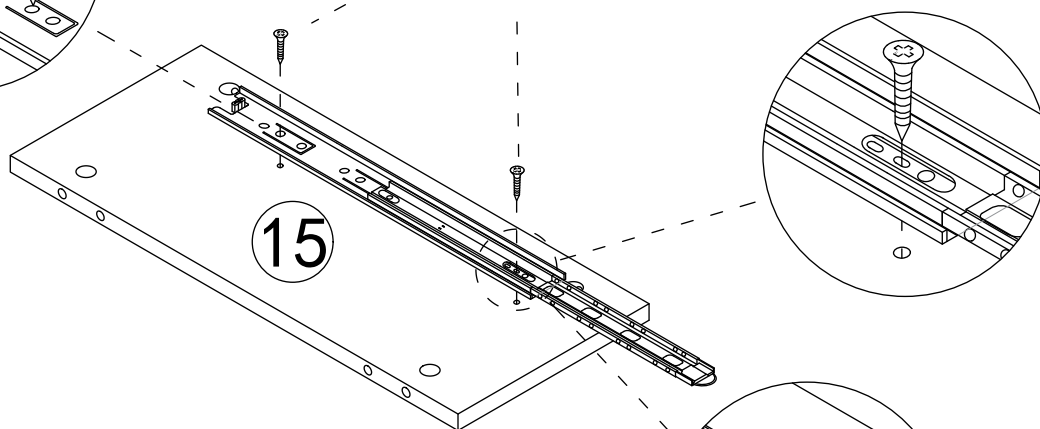
Tear off release paper and stick the black foot pad on the board



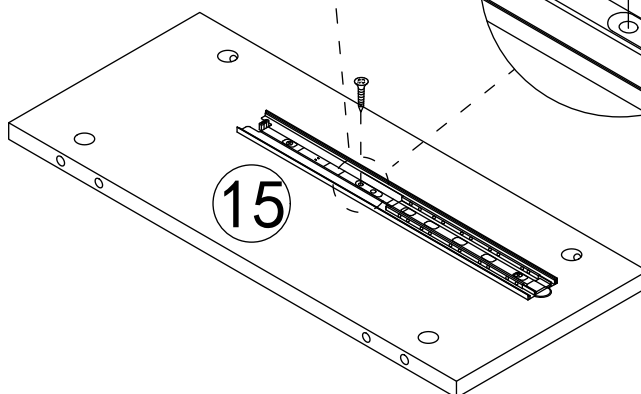
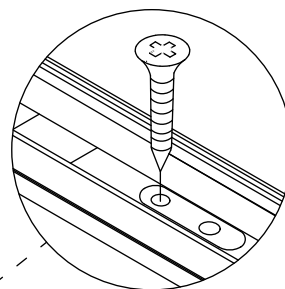
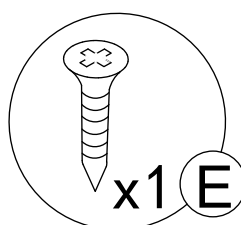
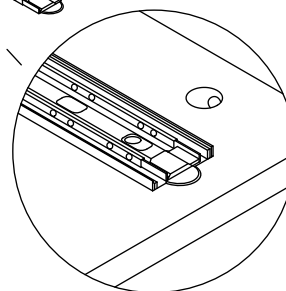
Step 32



Pay attention to the direction of guide rail installation

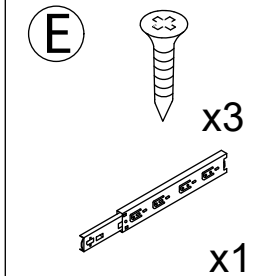
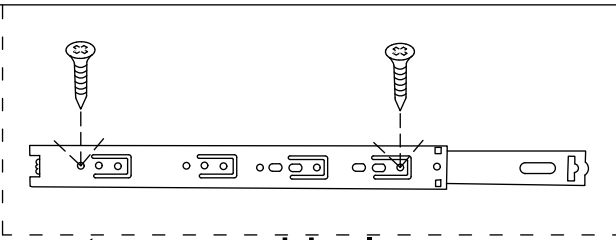


The movable side of the guide rail is close to the edge of the board

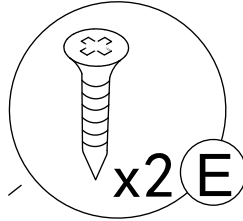
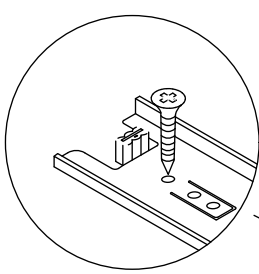


This hole is for strengthening fixed hole customers can choose to install according to their needs.

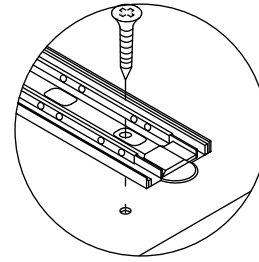
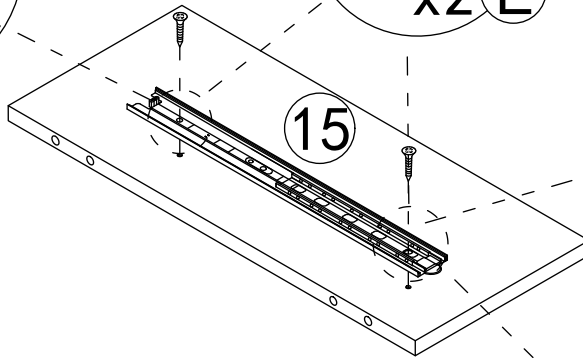
Step 33



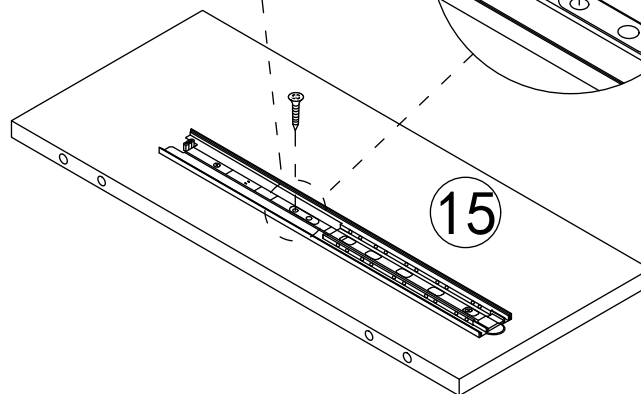
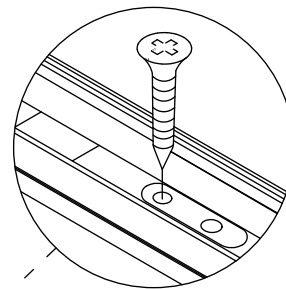
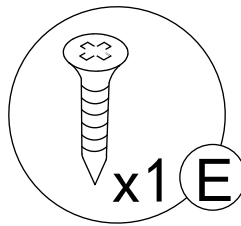
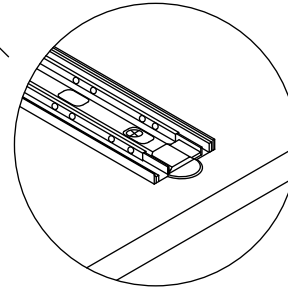
Pay attention to the staggered holes between the guide rail and the reverse side



Pay attention to the direction of guide rail installation

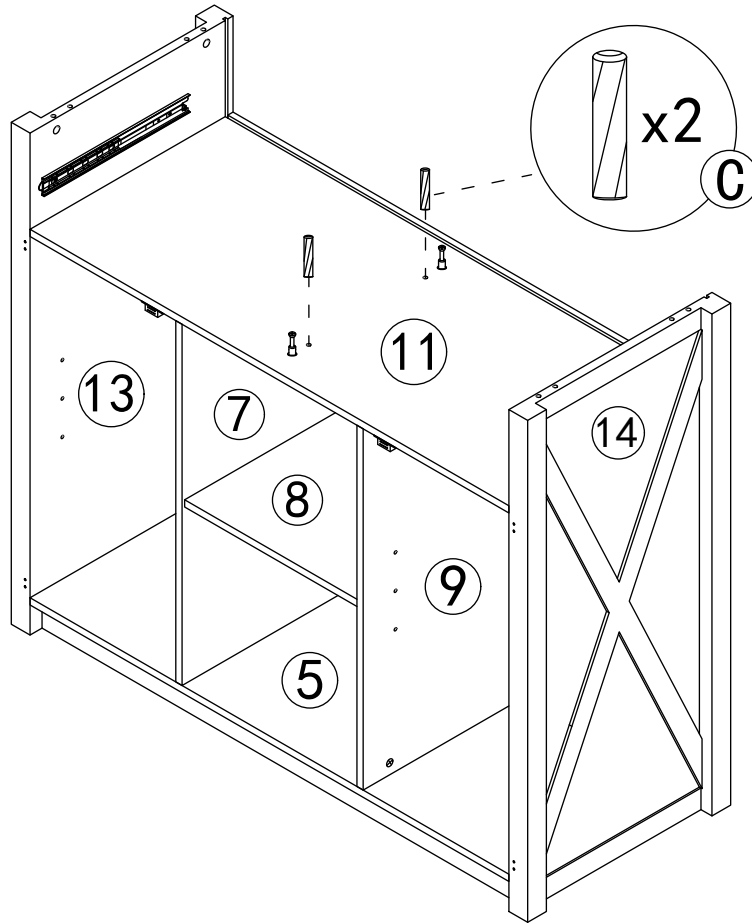
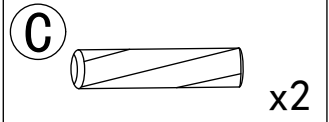


The movable side of the guide rail is close to the edge of the board

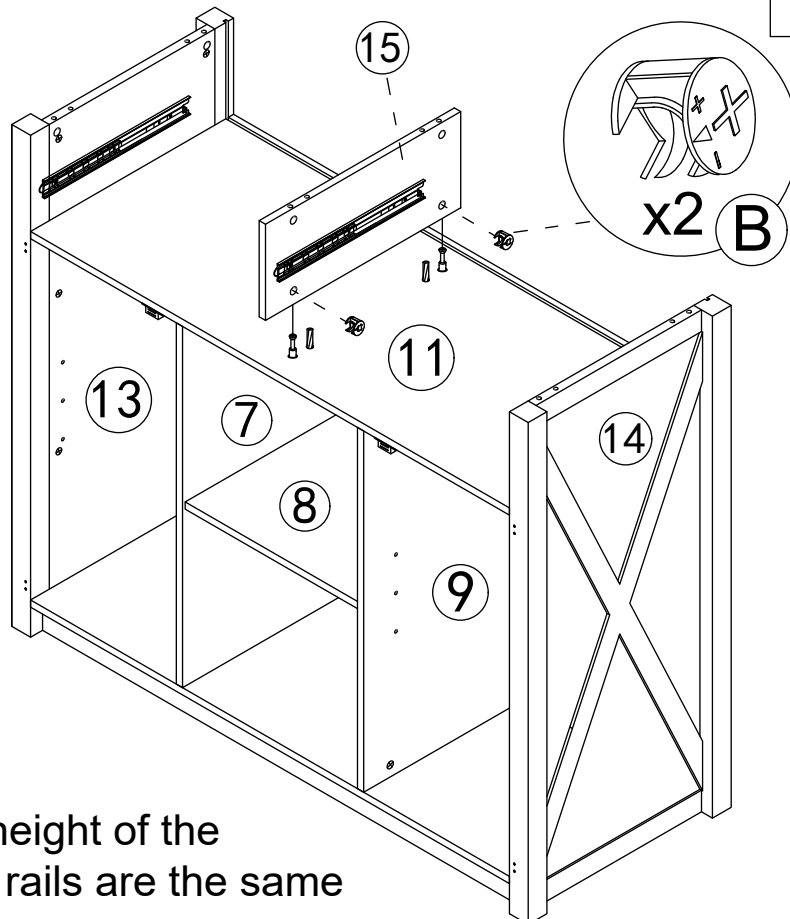


This hole is for strengthening fixed hole customers can choose to install according to their needs.

Step 34

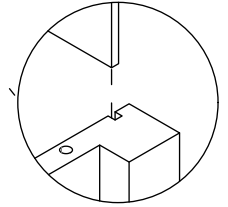
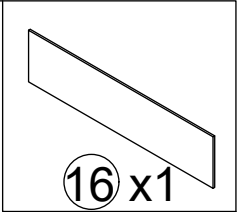
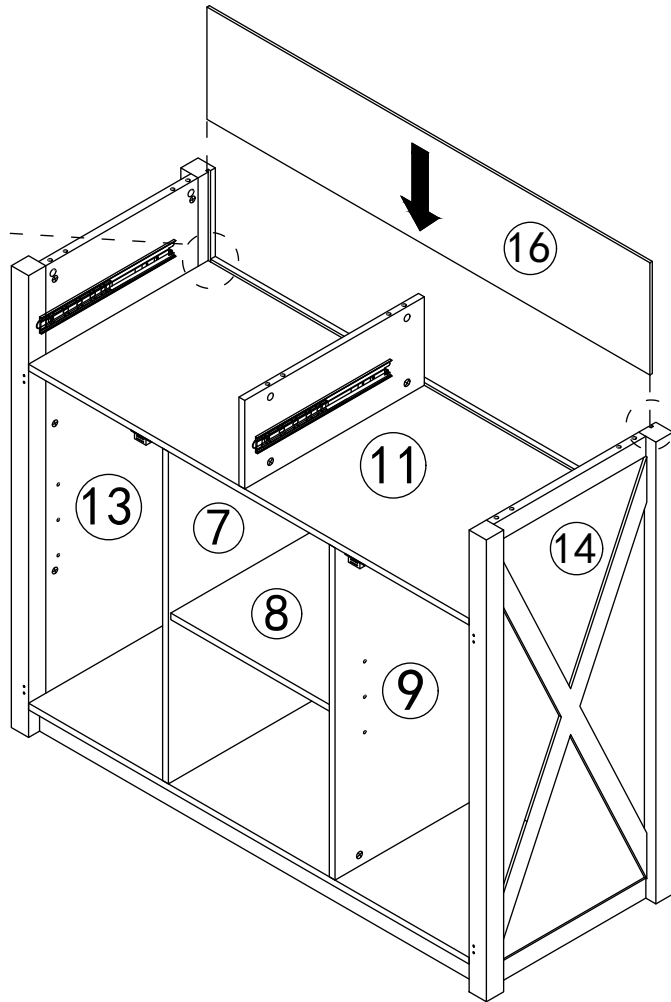
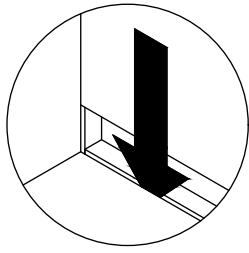


Step 35

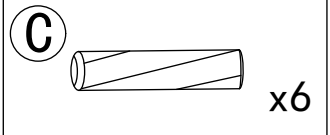
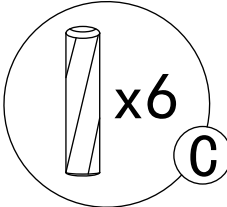
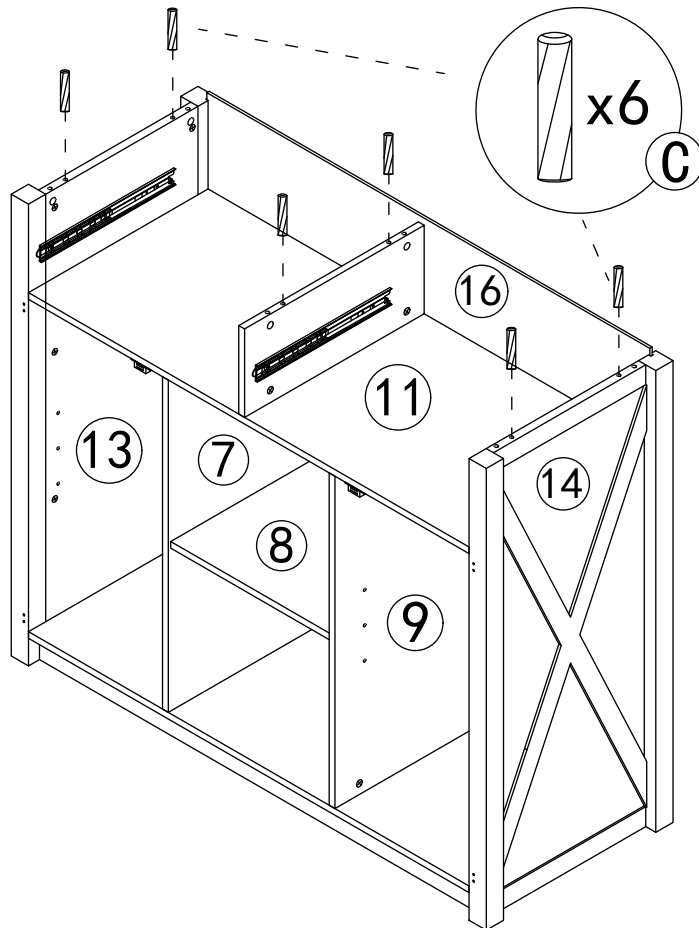


The direction and height of the left and right guide rails are the same

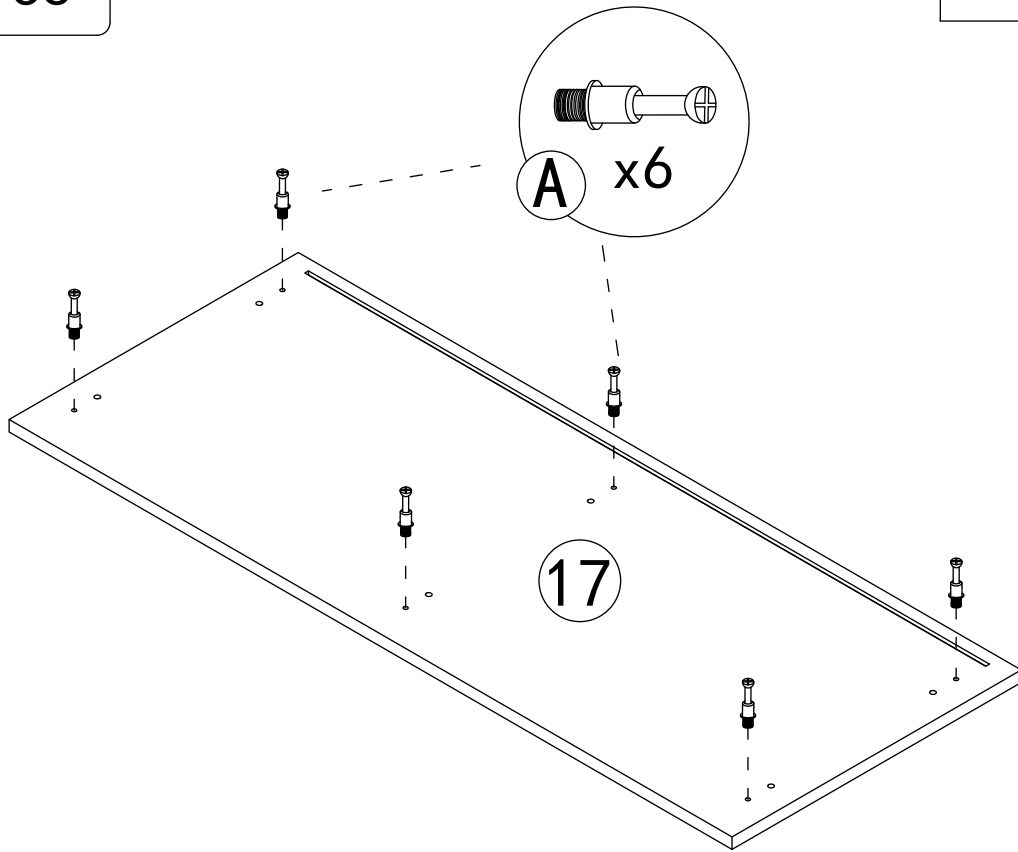
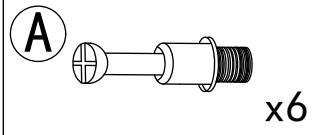
Step 36



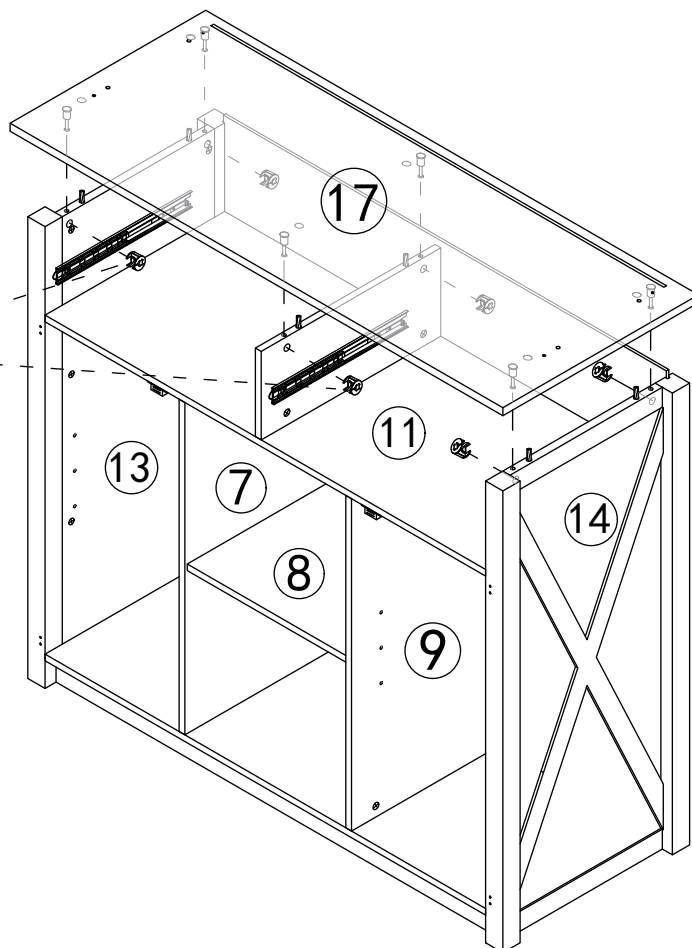
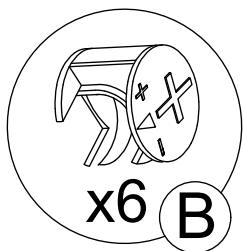
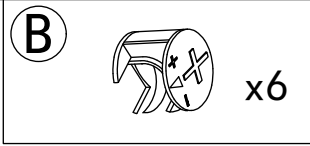
Step 37



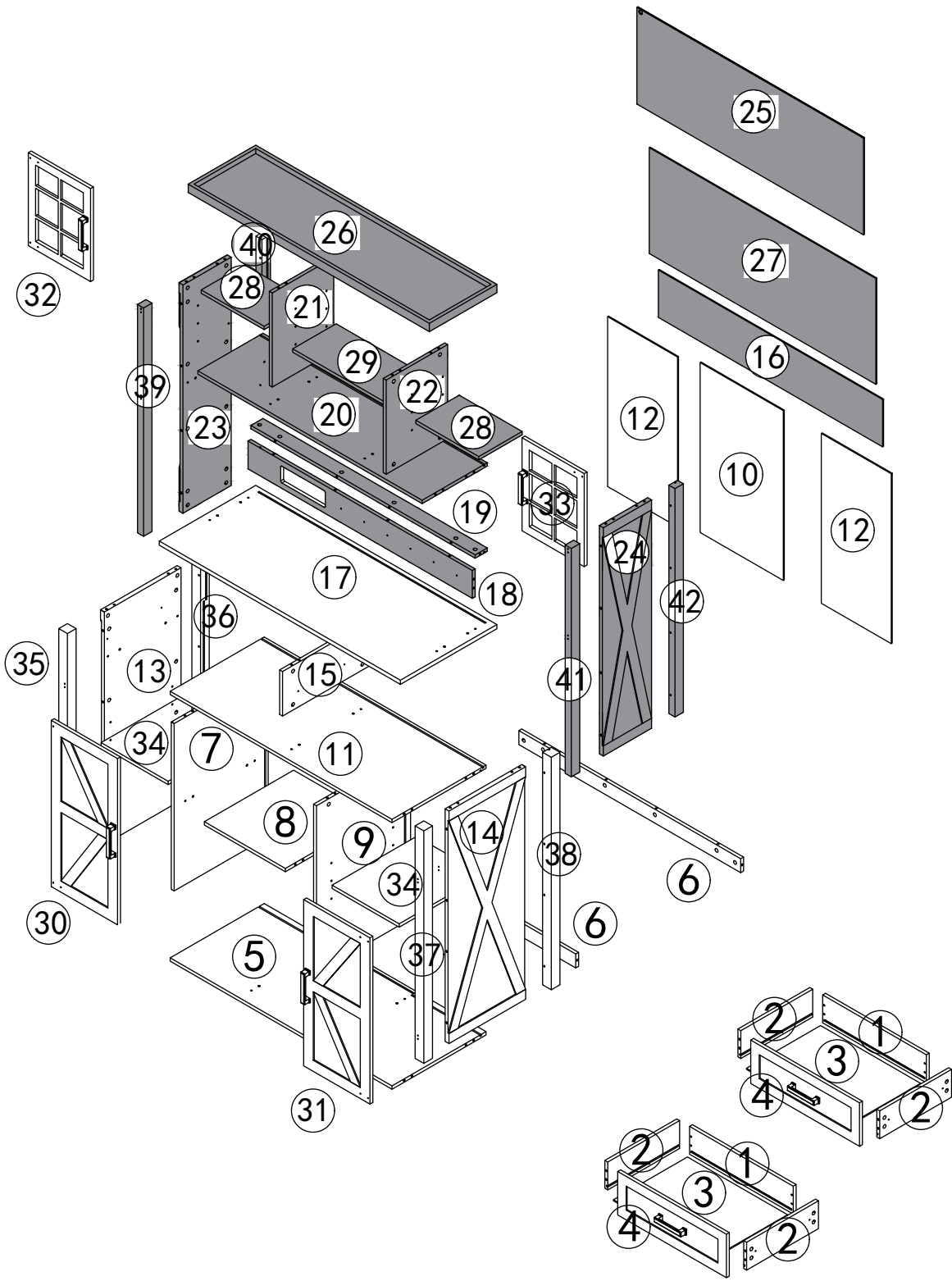
Step 38



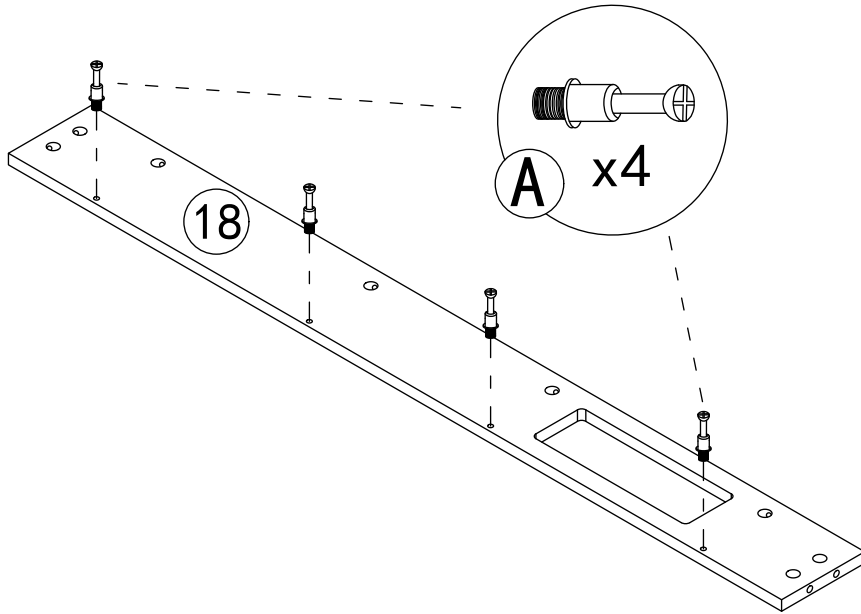
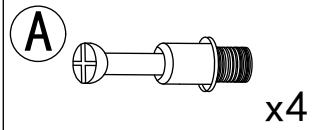
Step 39



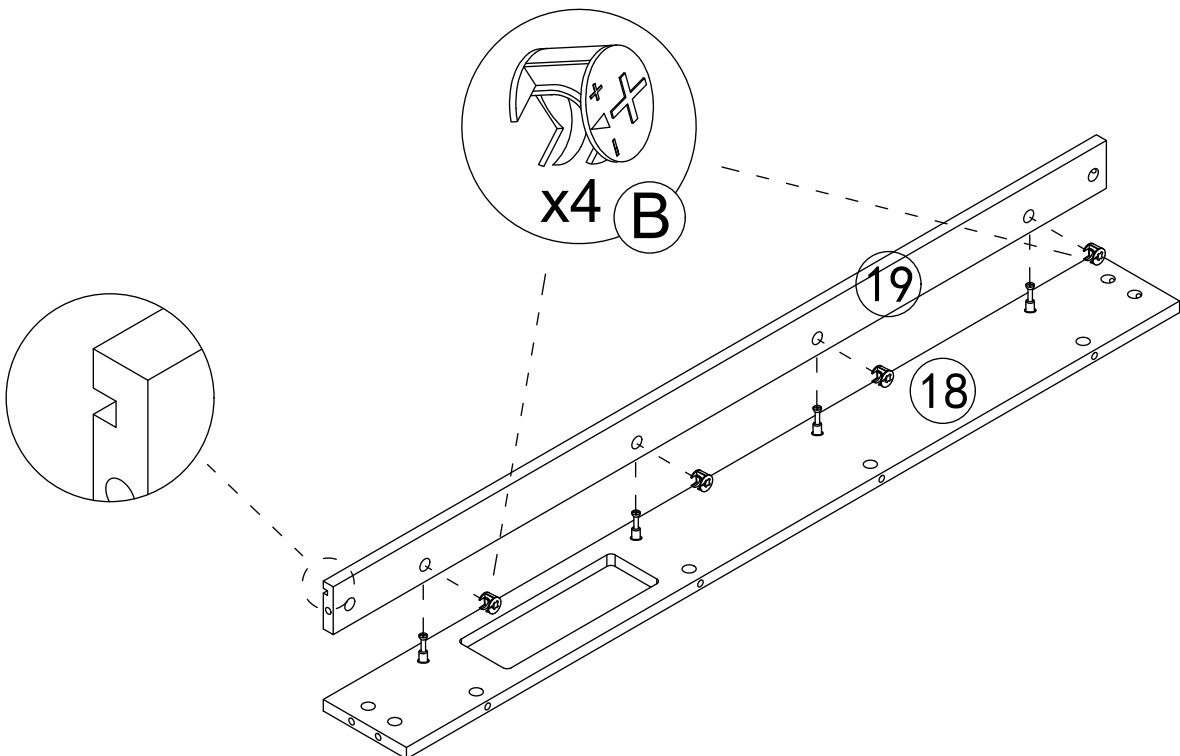
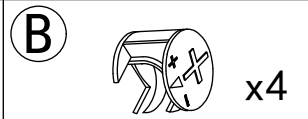
A		34pcs	F		2pcs		4pcs	I		26pcs
B		34pcs	G		1pcs		2pcs	J		20pcs
C		20pcs	H		2pcs	M		6pcs		6pcs



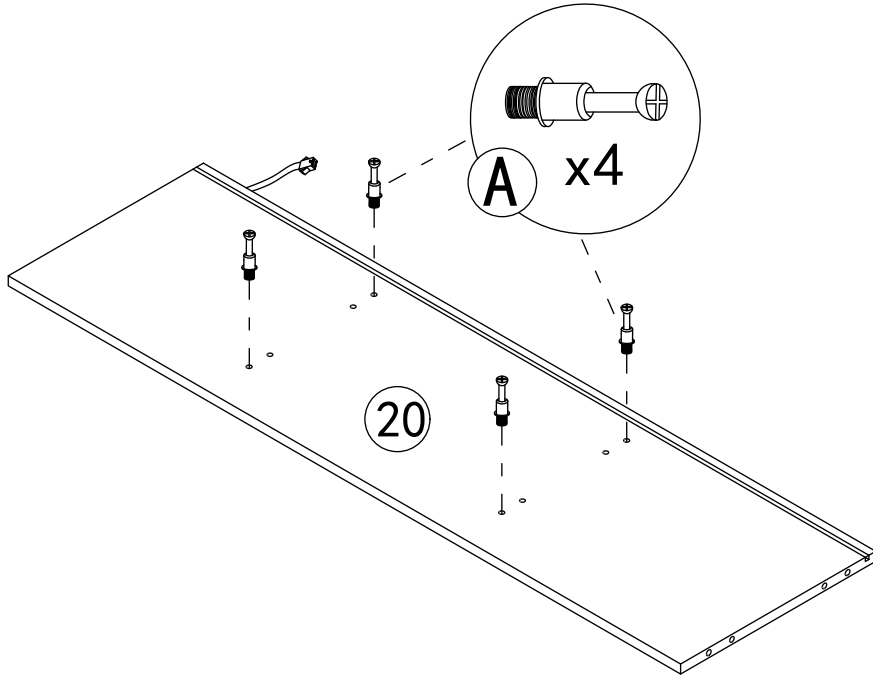
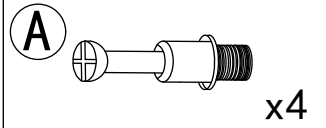
Step 40



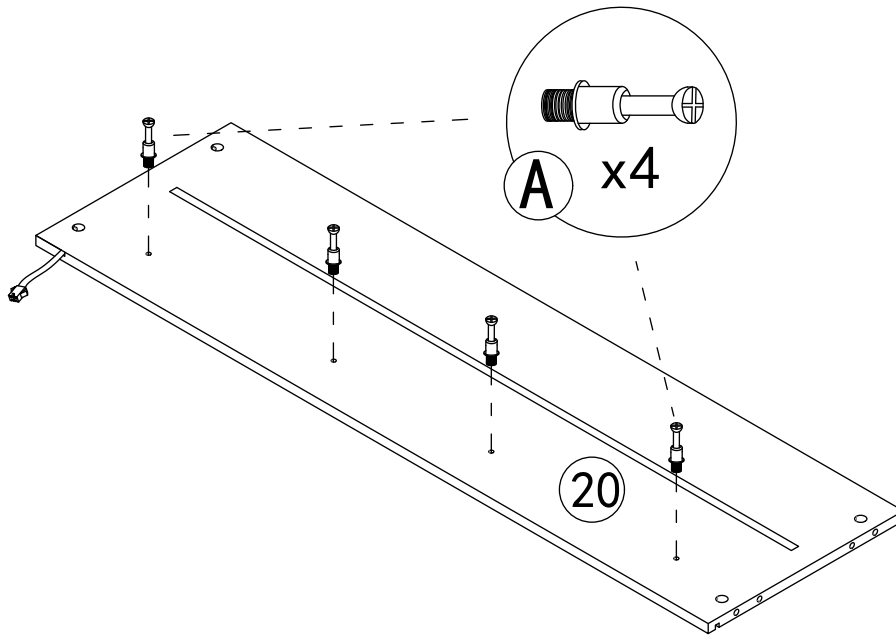
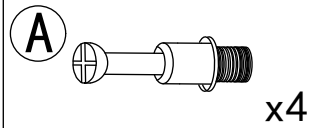
Step 41



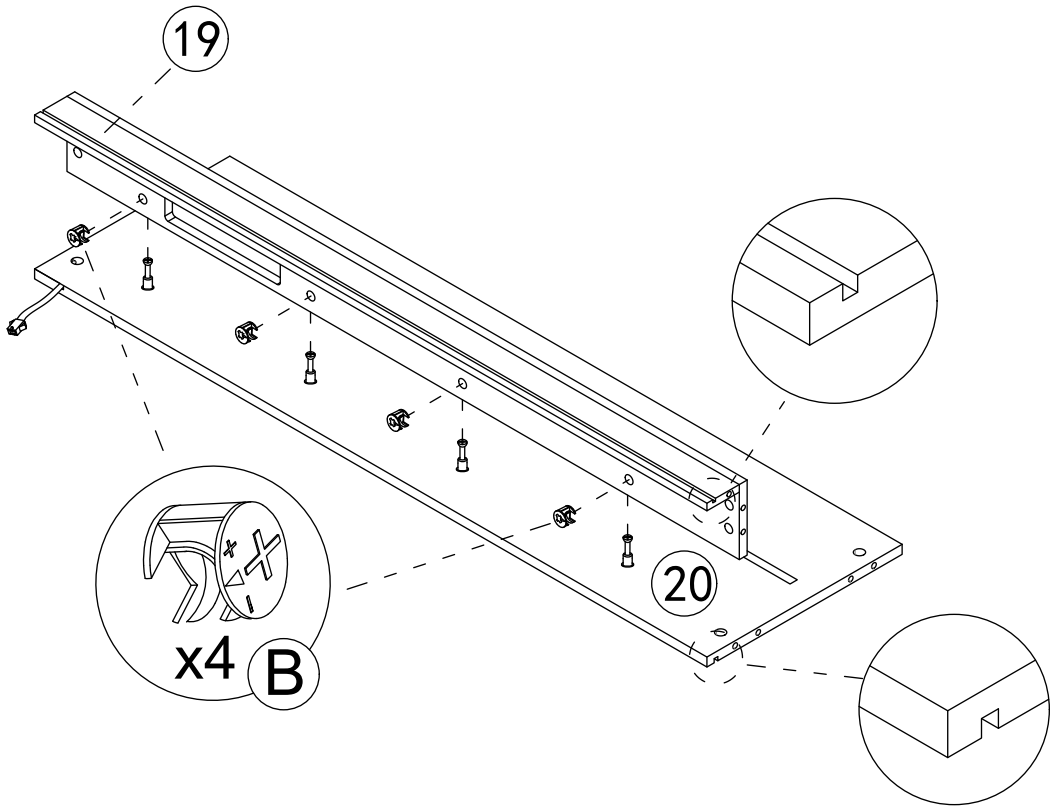
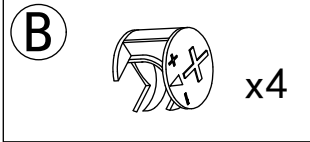
Step 42



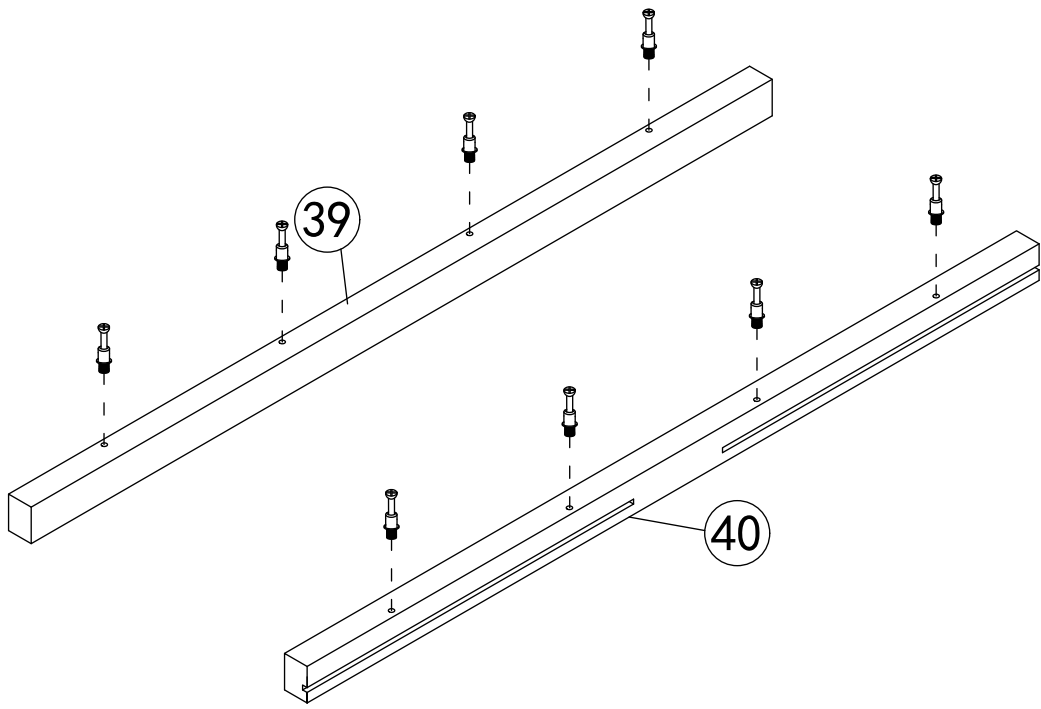
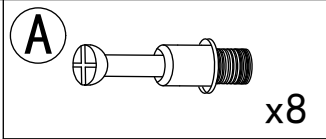
Step 43



Step 44



Step 45

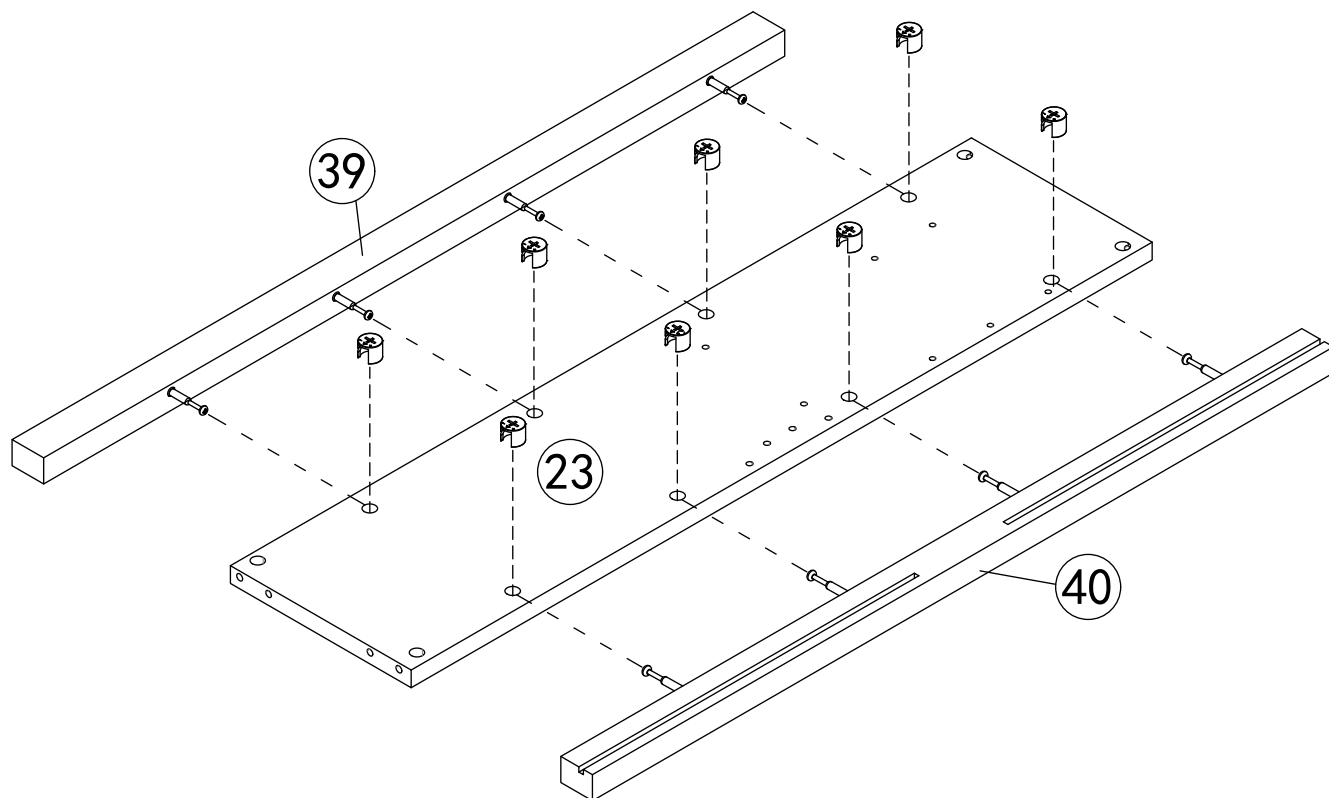


Note:

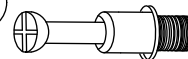
B



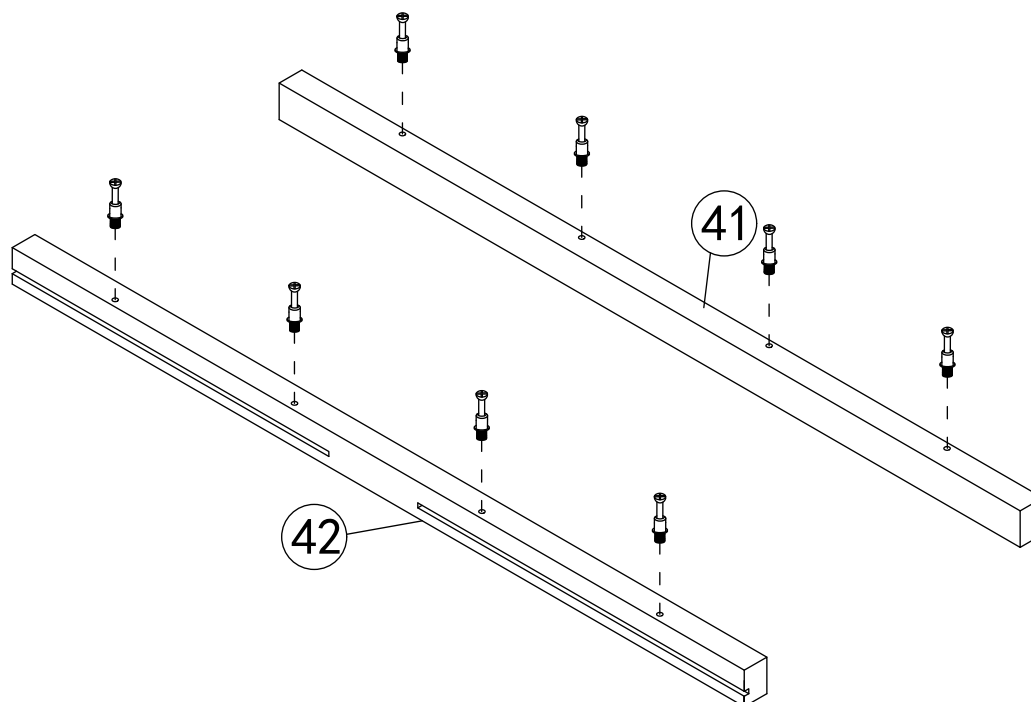
x8



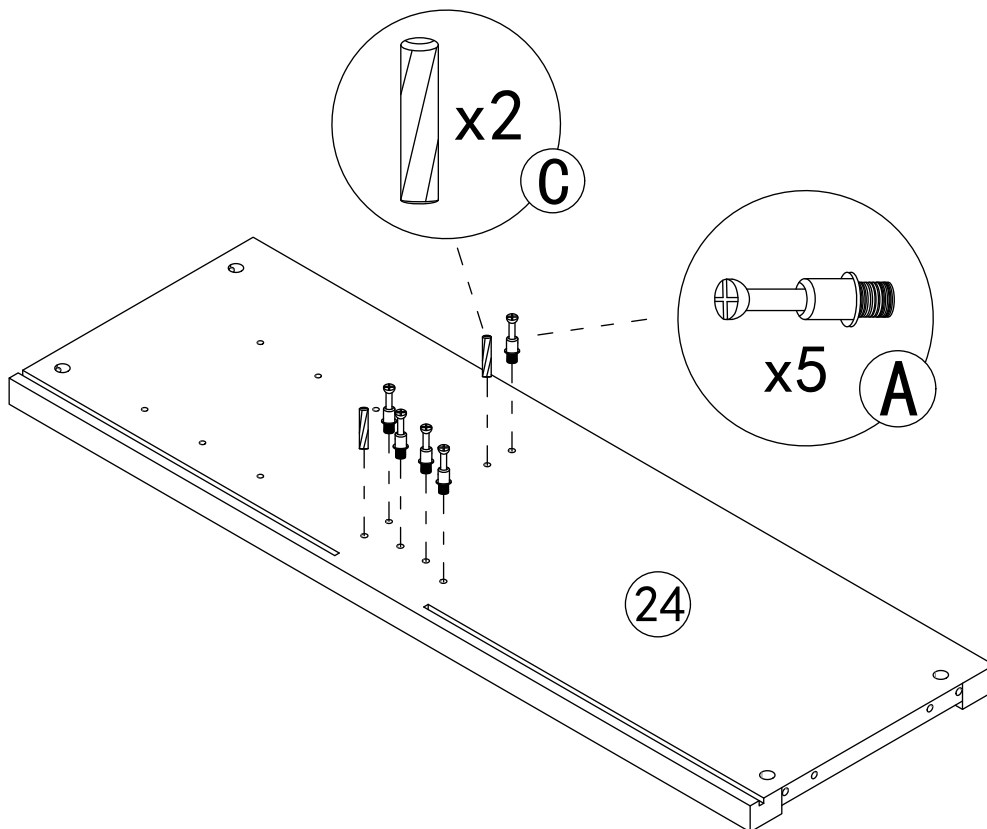
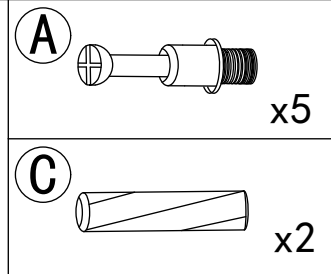
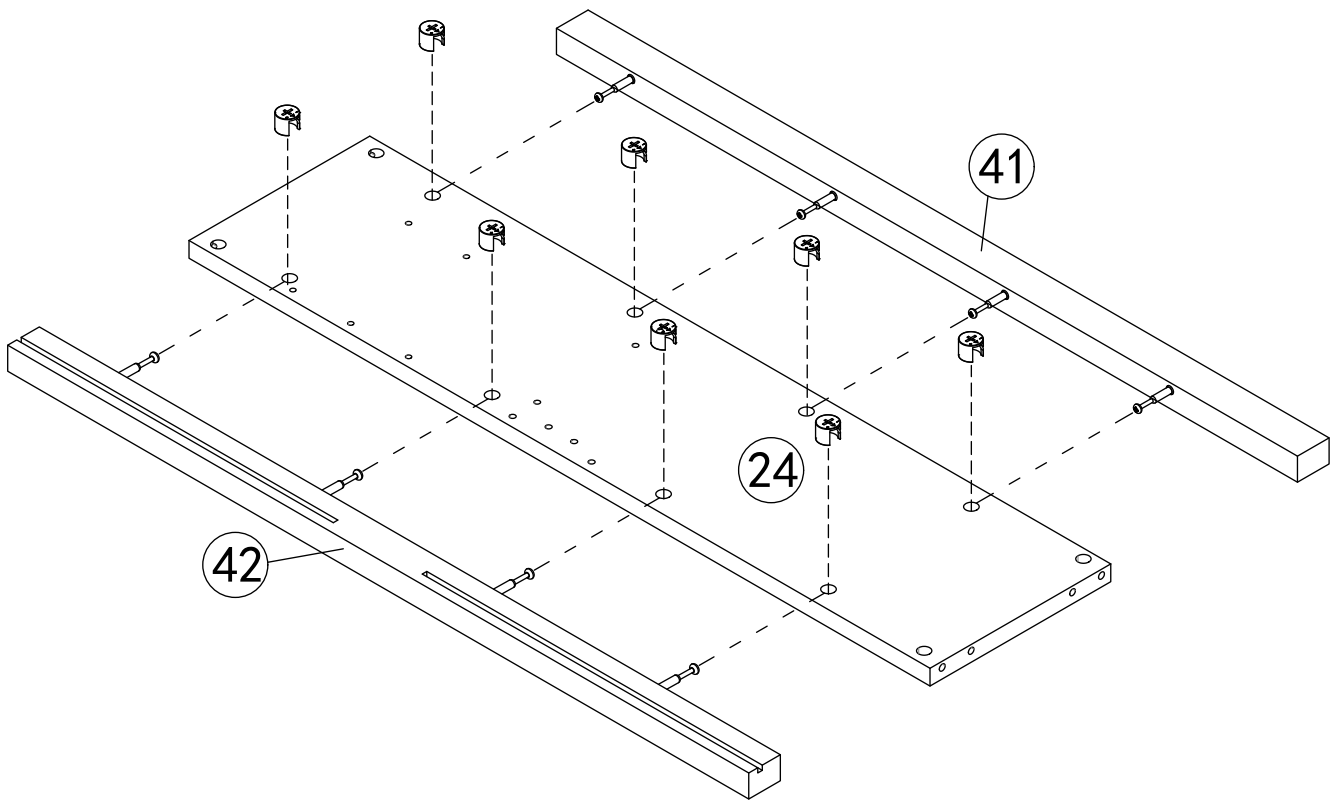
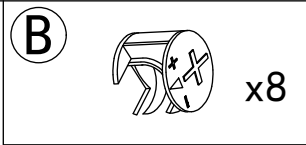
A



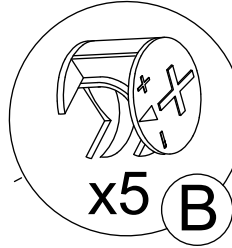
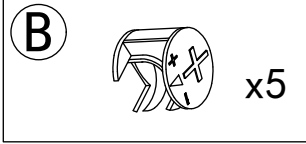
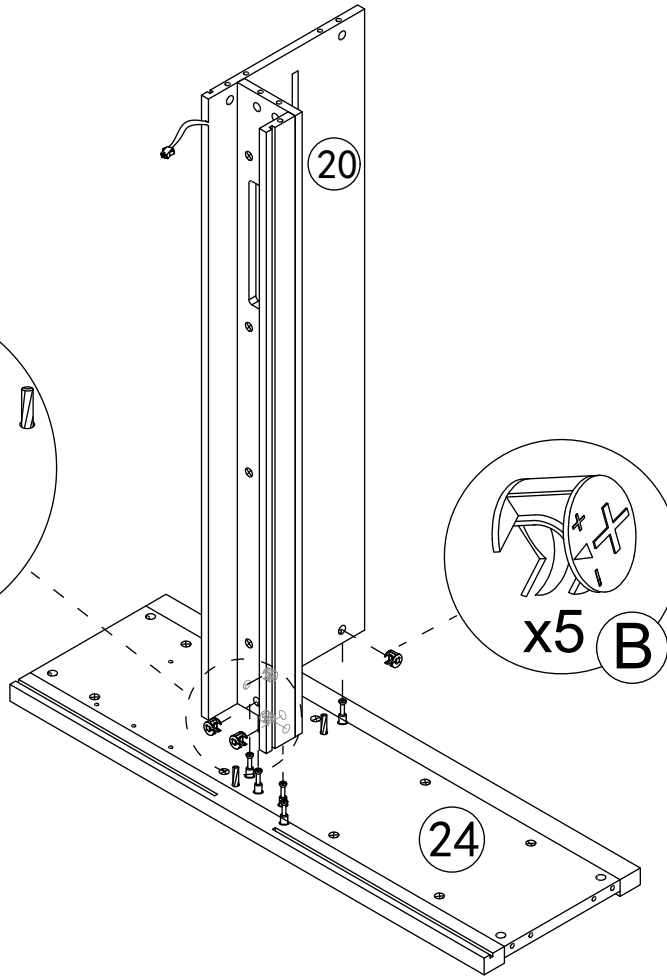
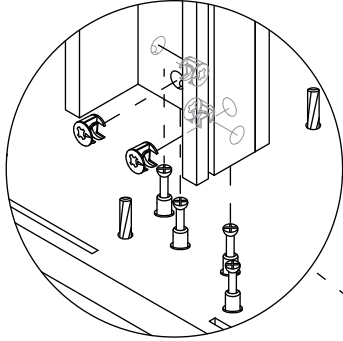
x8



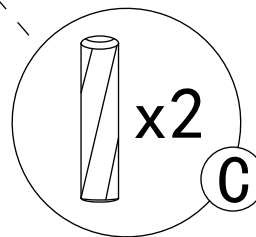
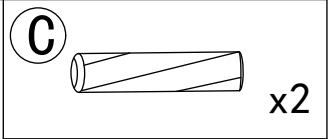
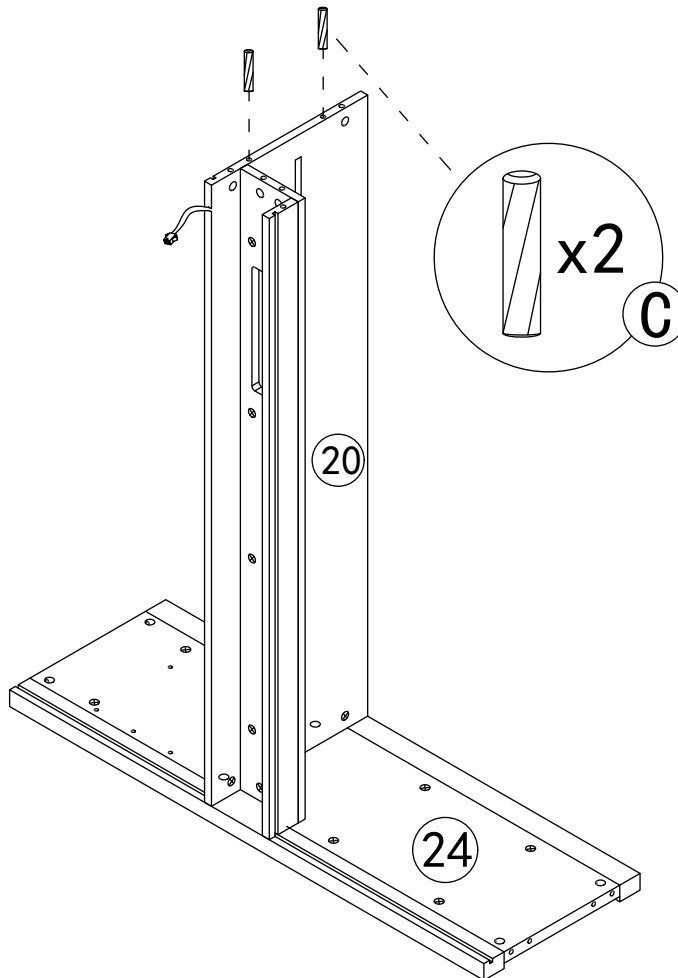
Note:



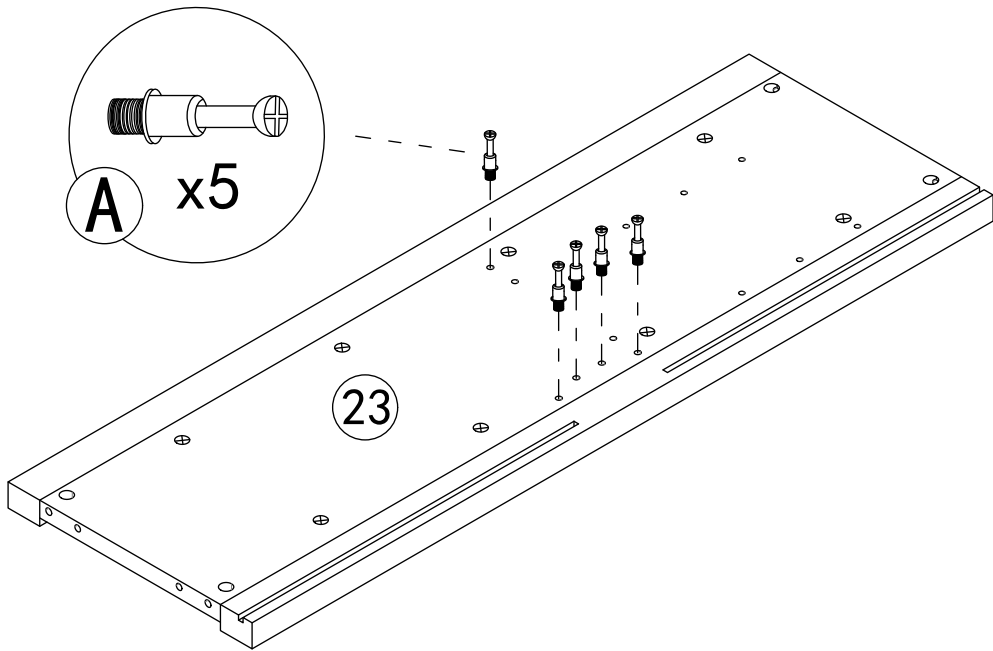
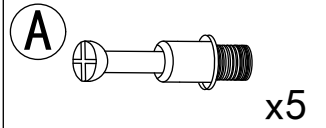
Step 46



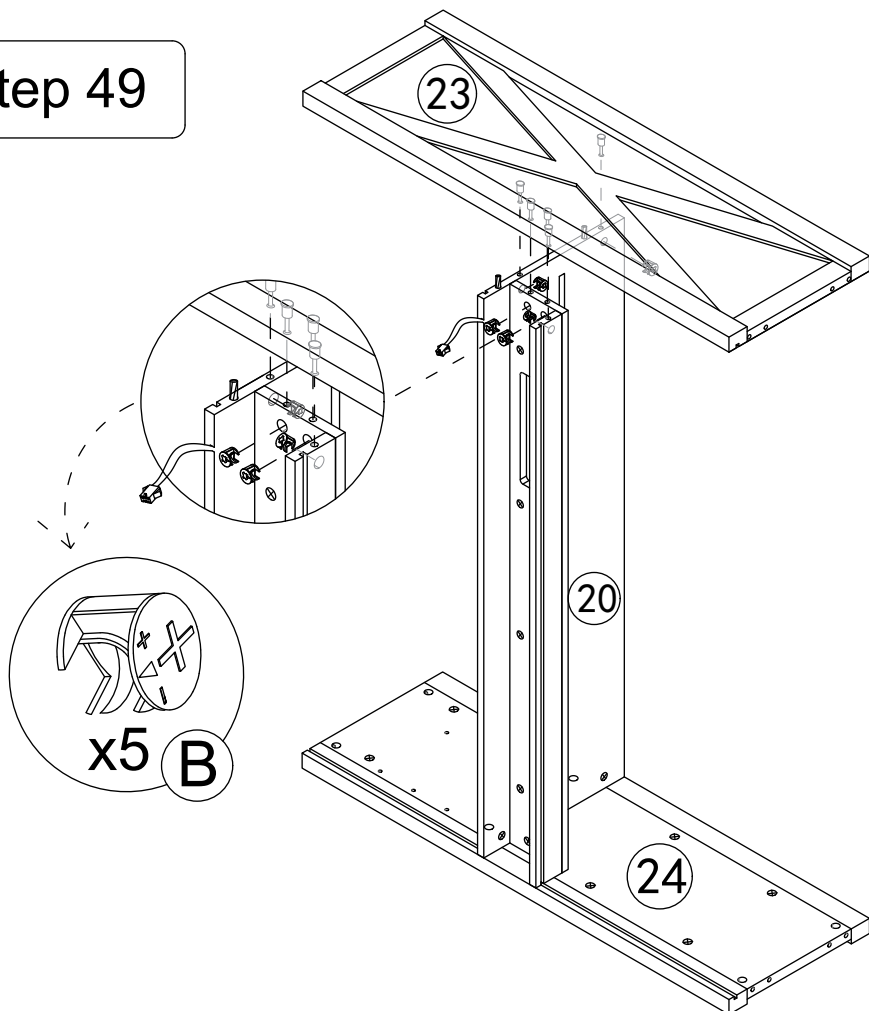
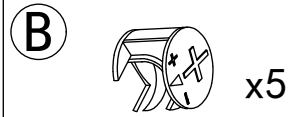
Step 47



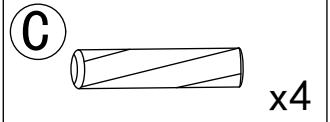
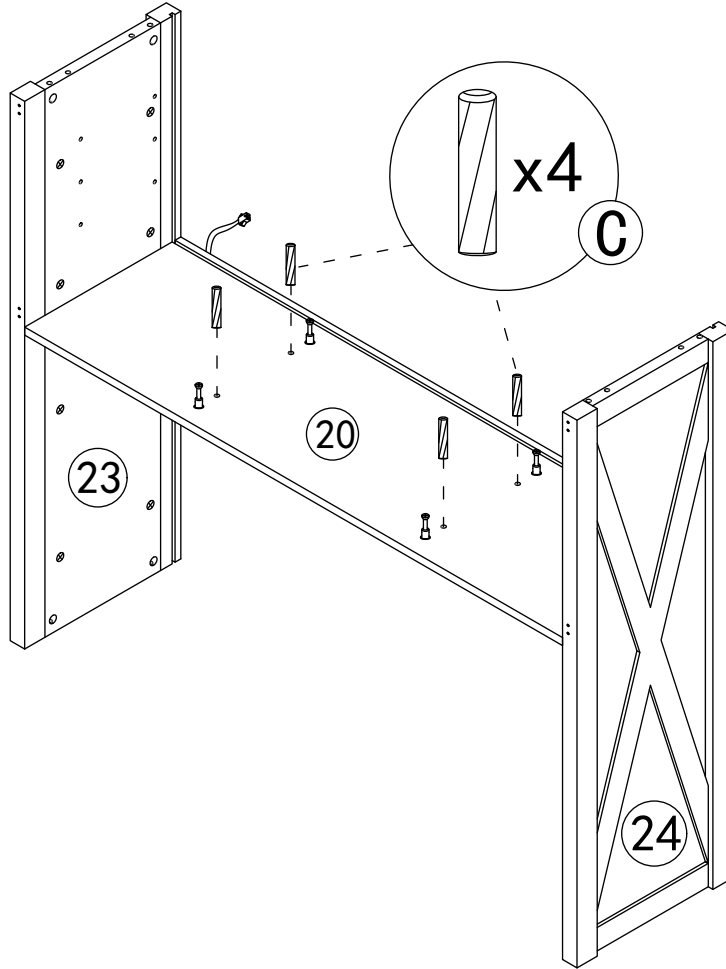
Step 48



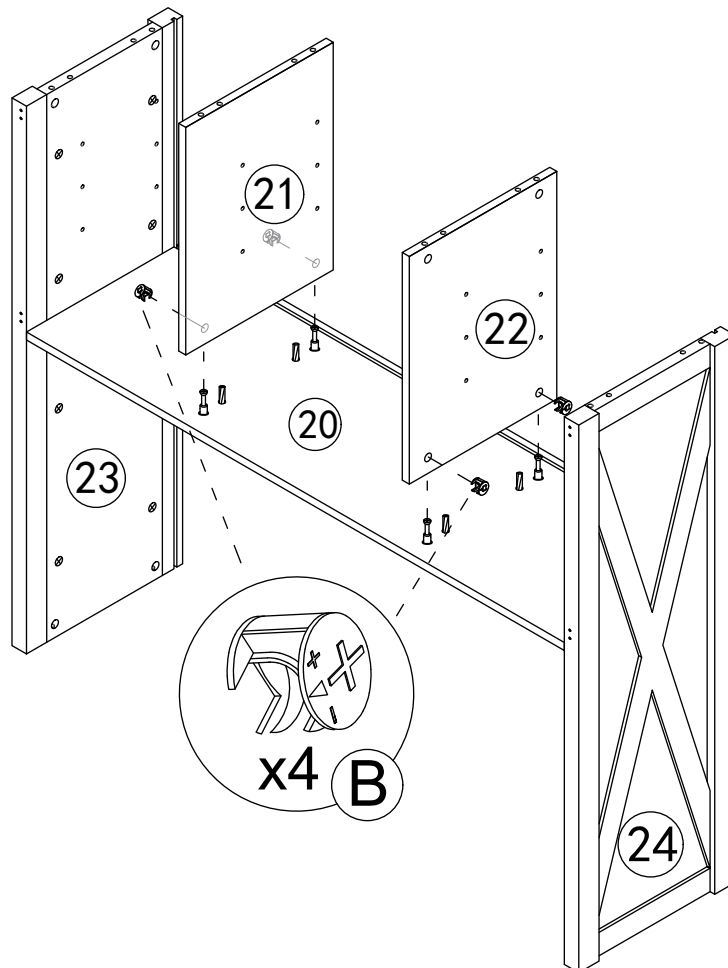
Step 49



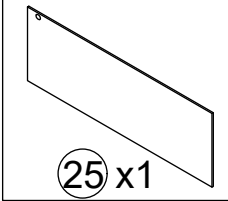
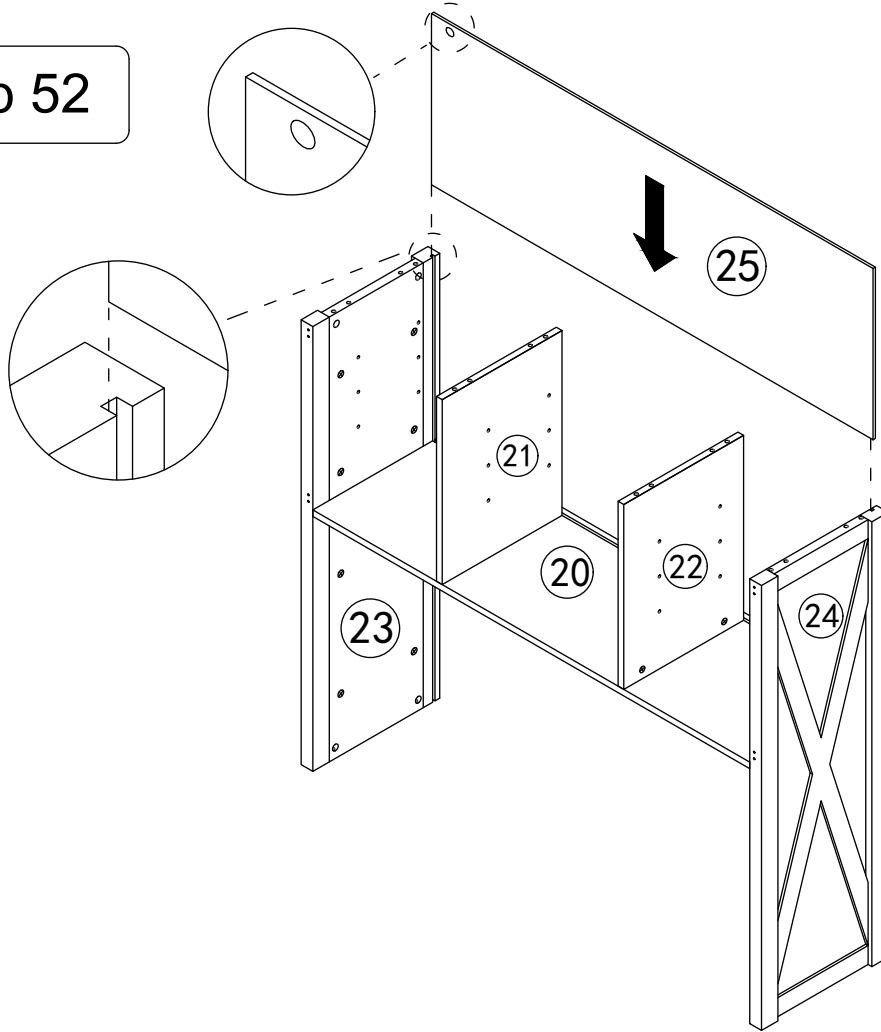
Step 50



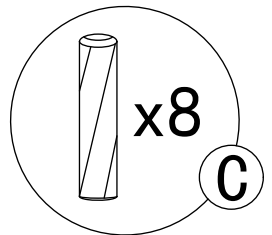
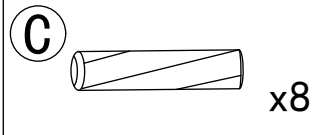
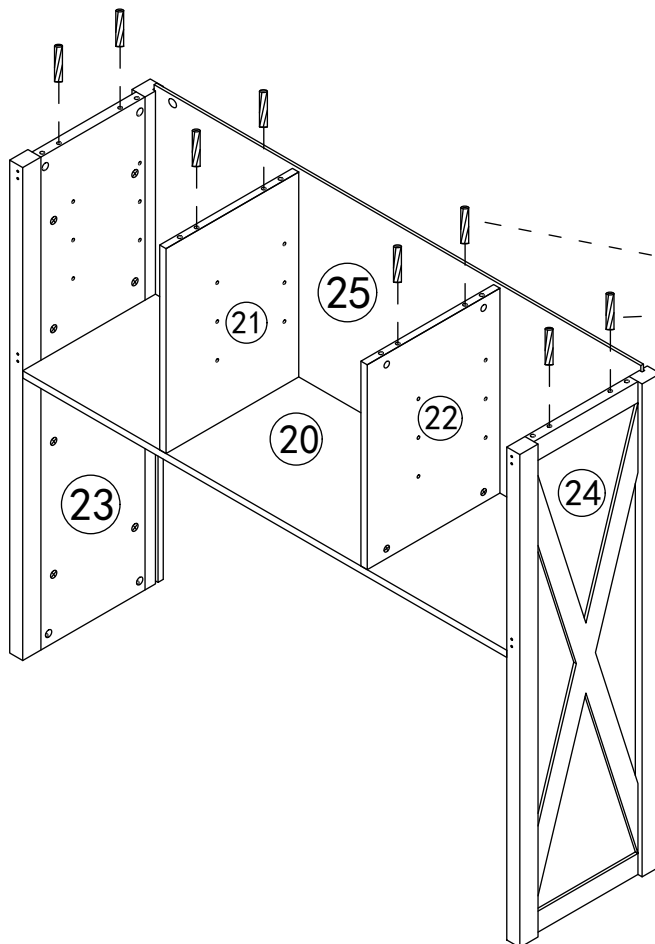
Step 51



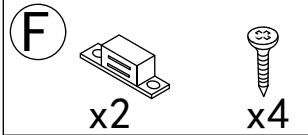
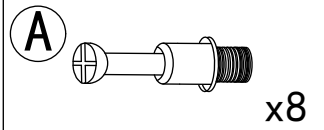
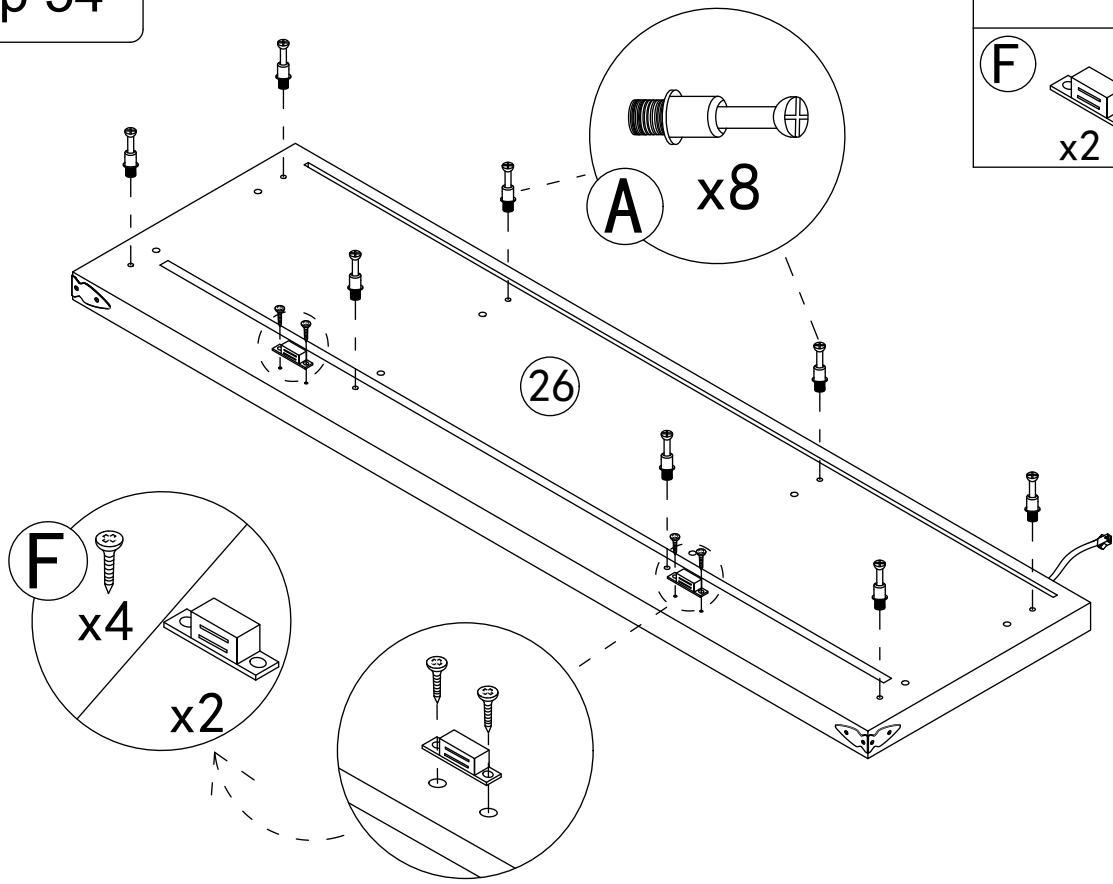
Step 52



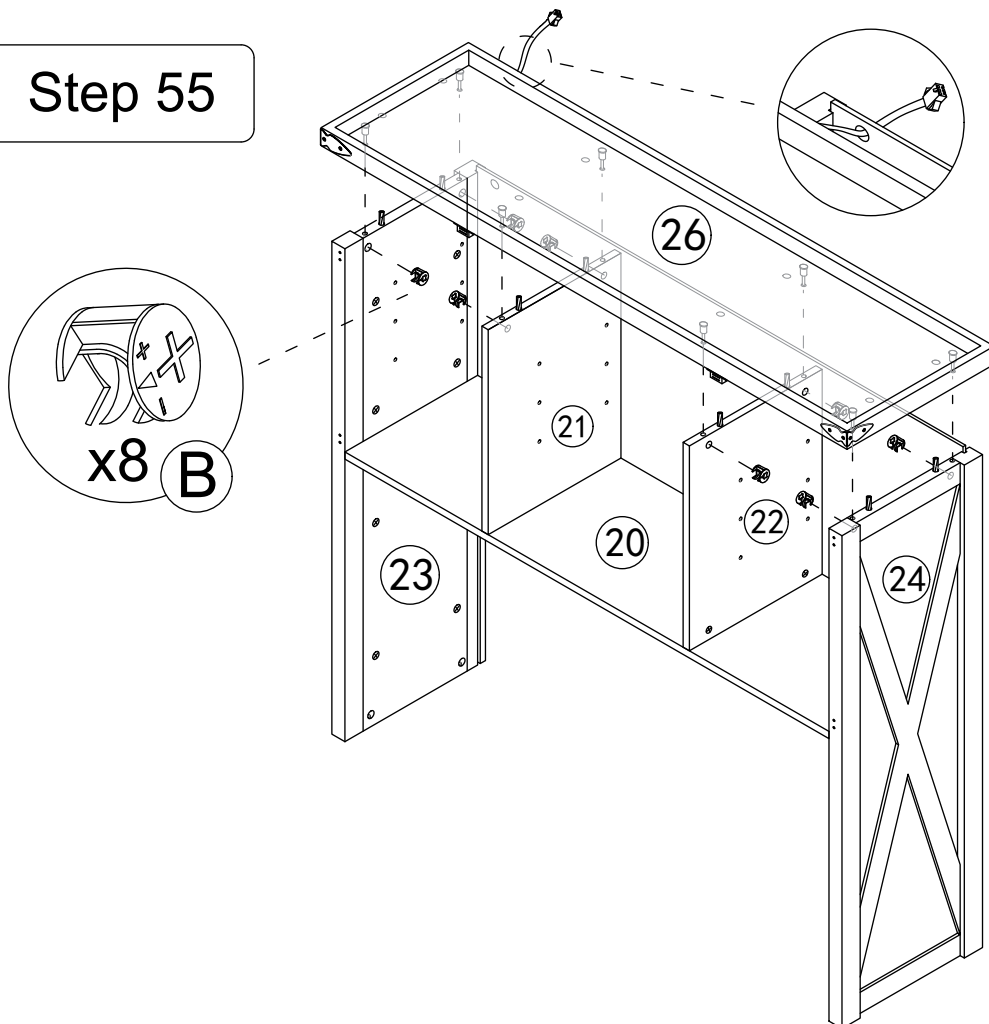
Step 53



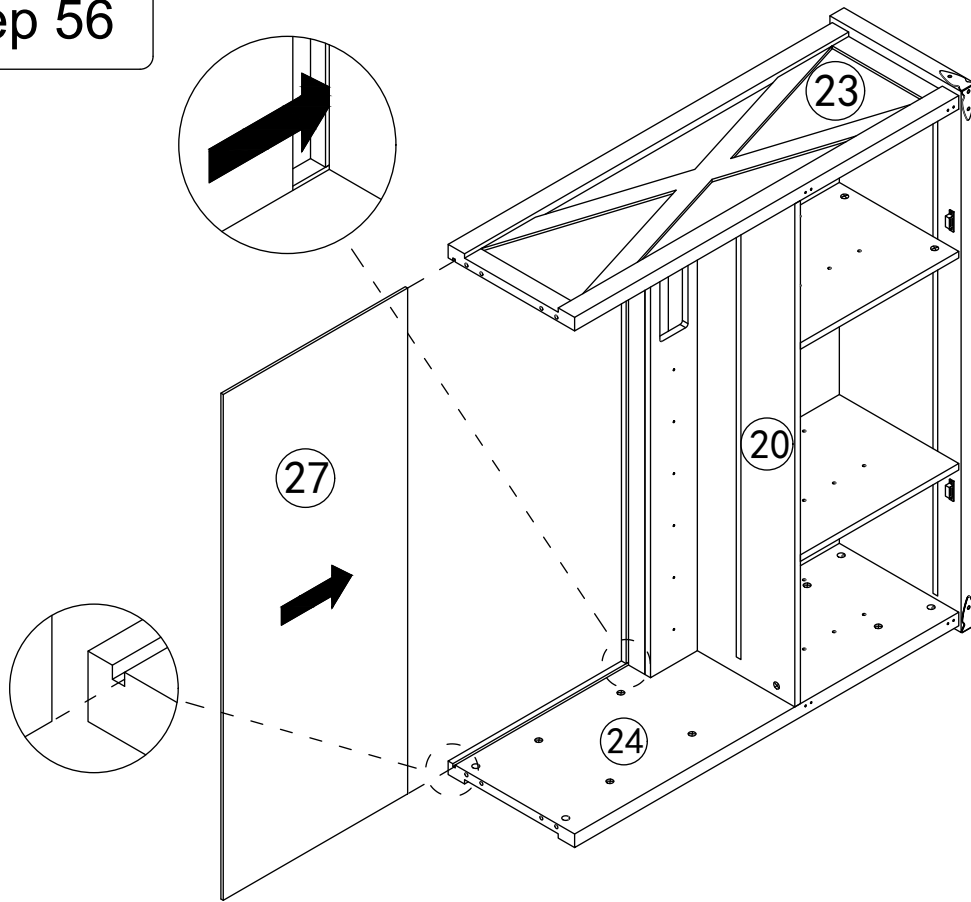
Step 54



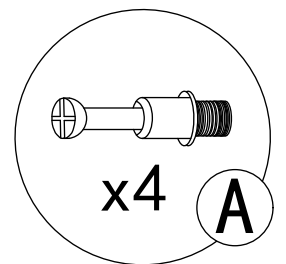
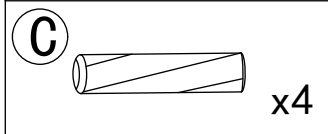
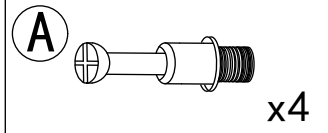
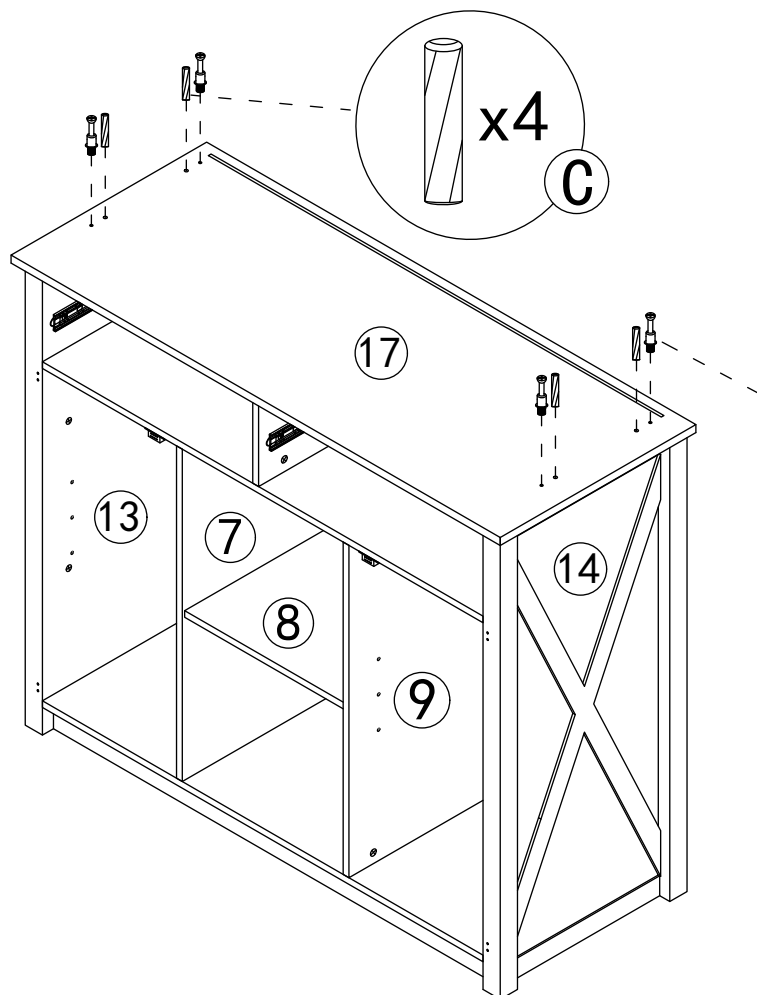
Step 55



Step 56



Step 57



Step 58

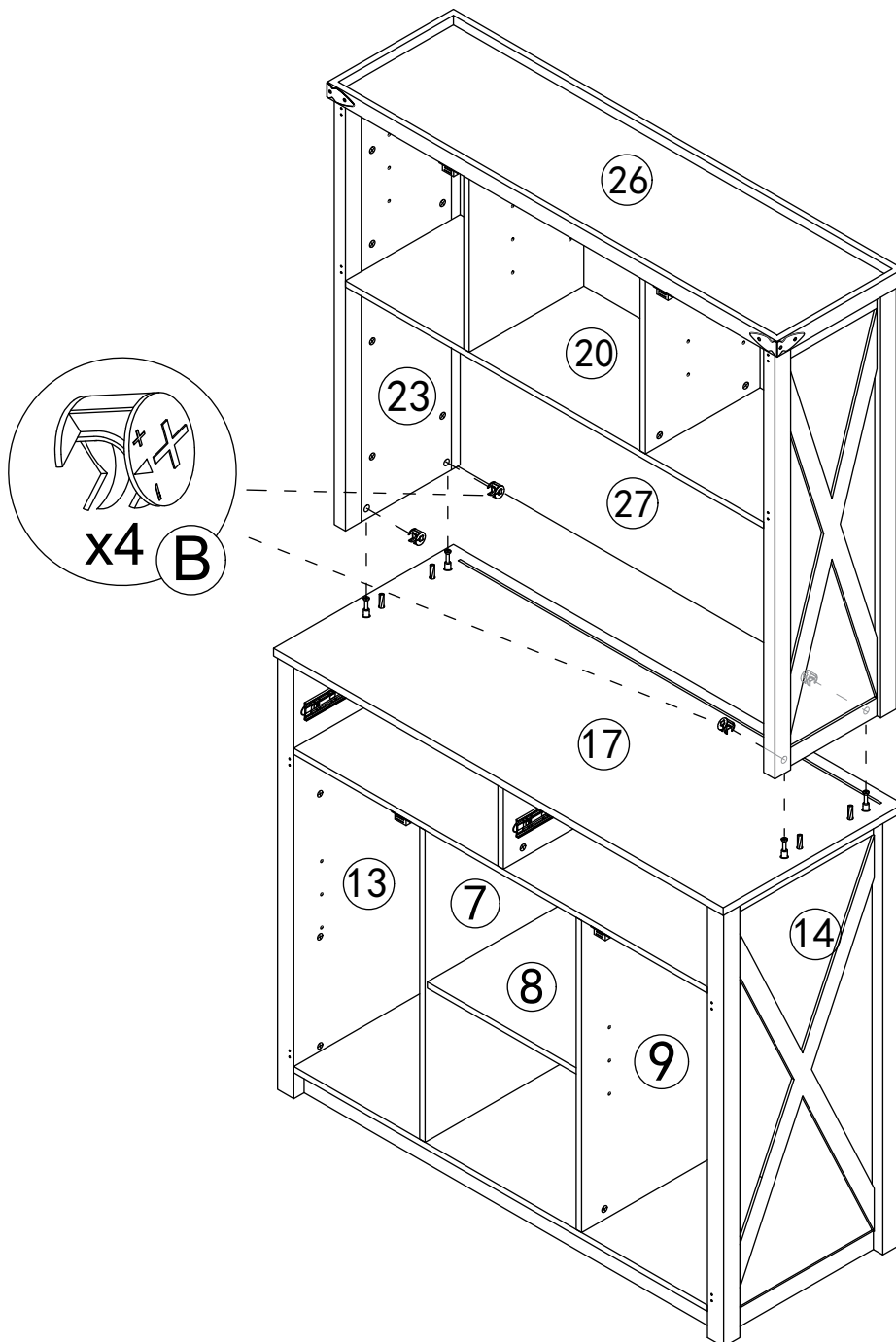
B



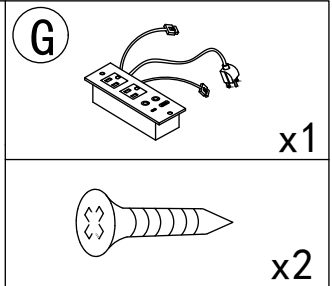
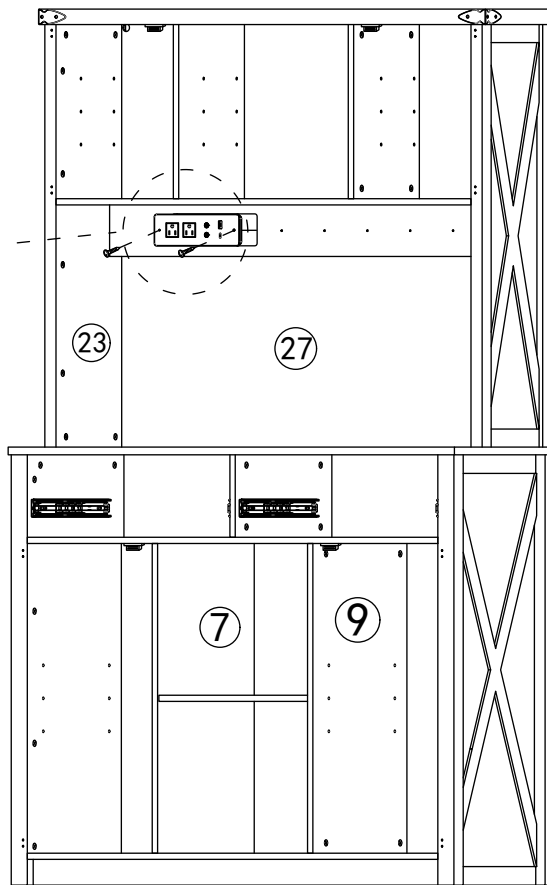
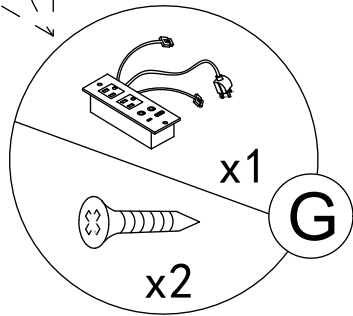
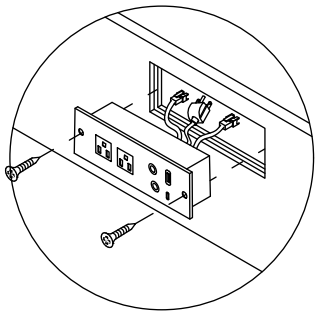
x4

It is recommended that two people install this step

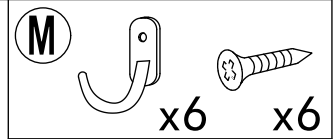
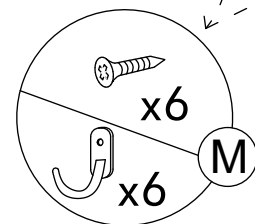
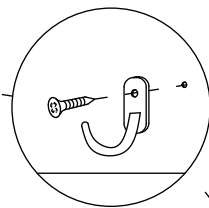
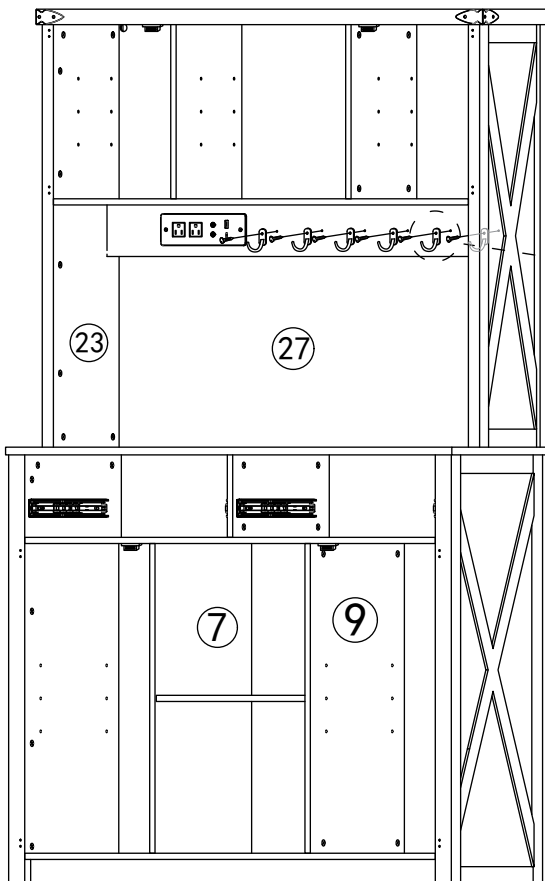
During installation, one hand should hold the backplate 27 to prevent it from falling off



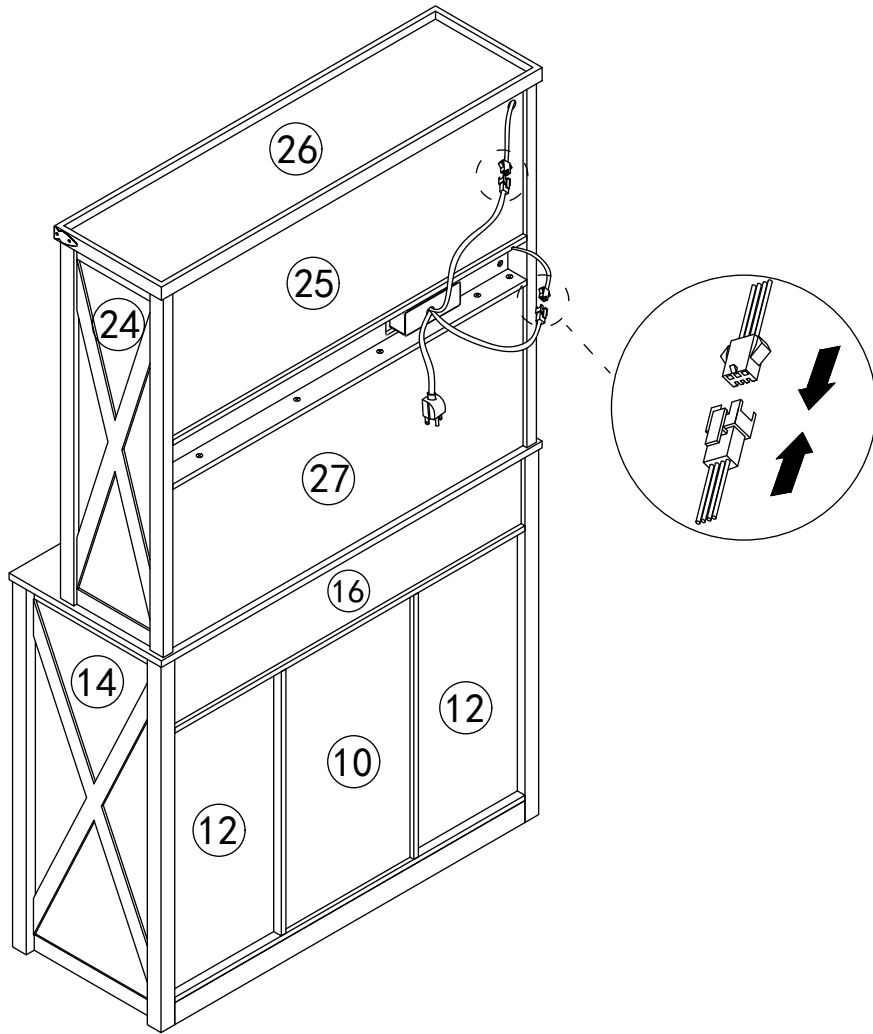
Step 59



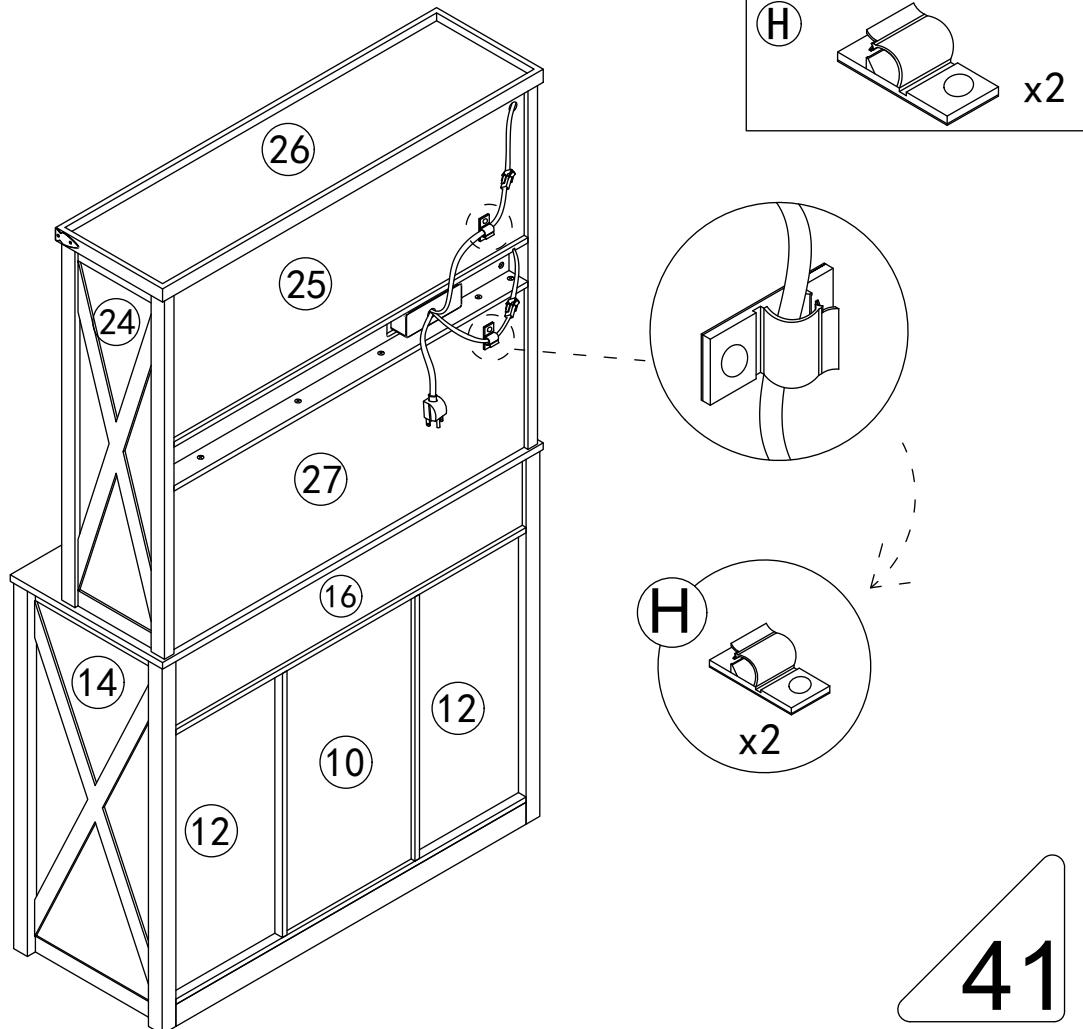
Step 60



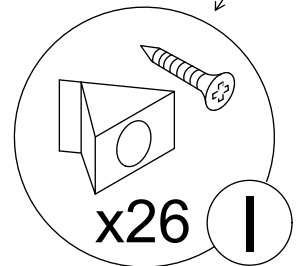
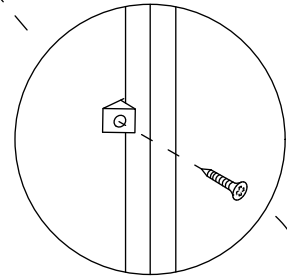
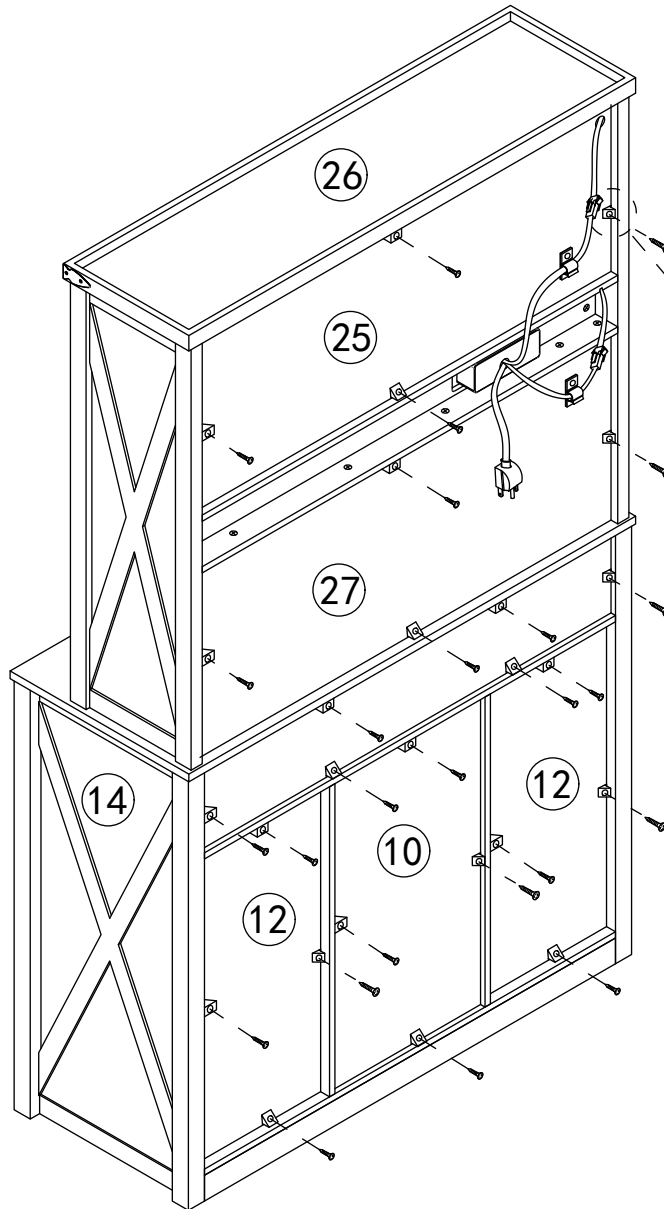
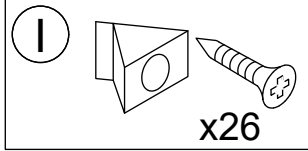
Step 61



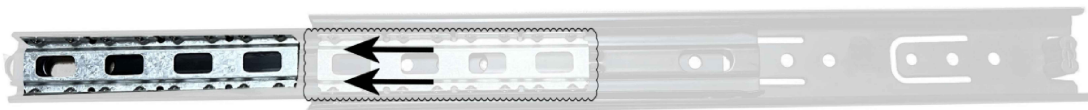
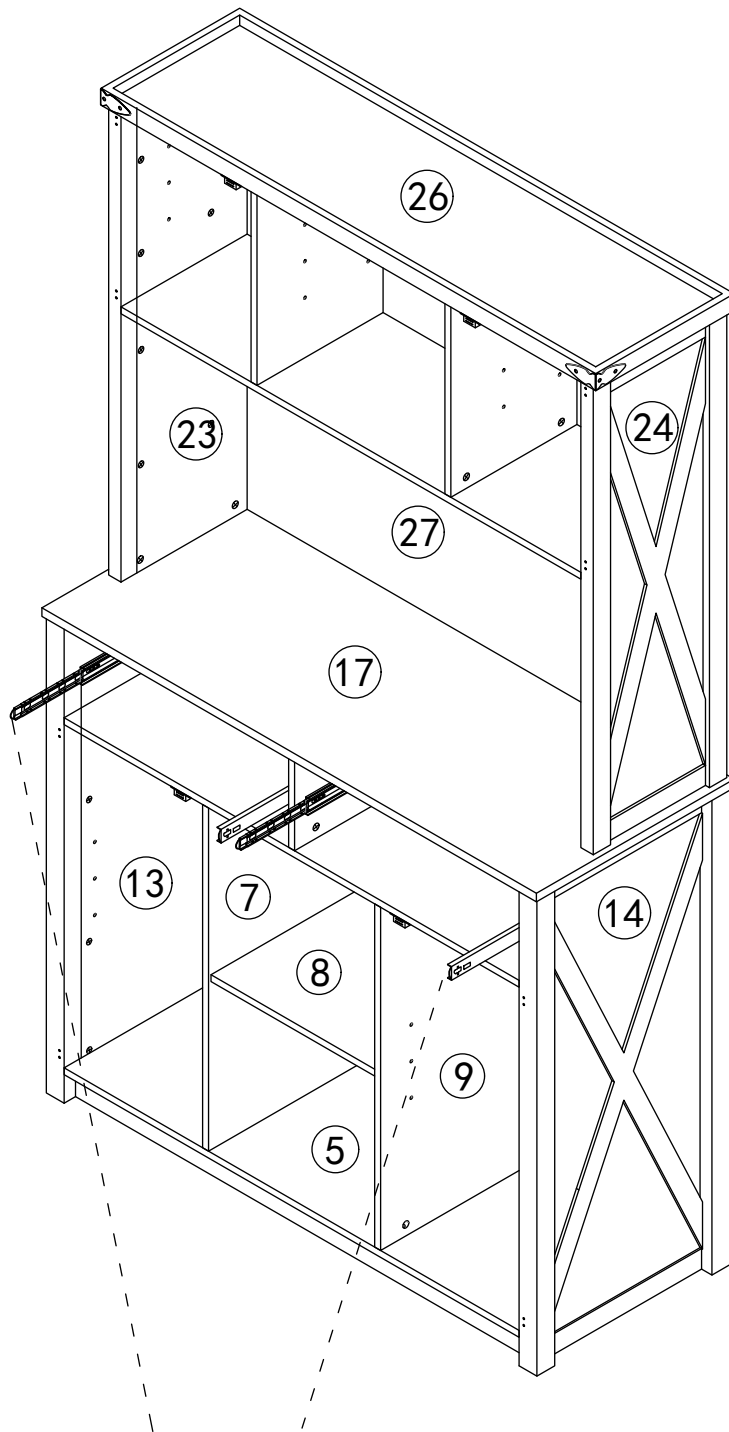
Step 62



Step 63

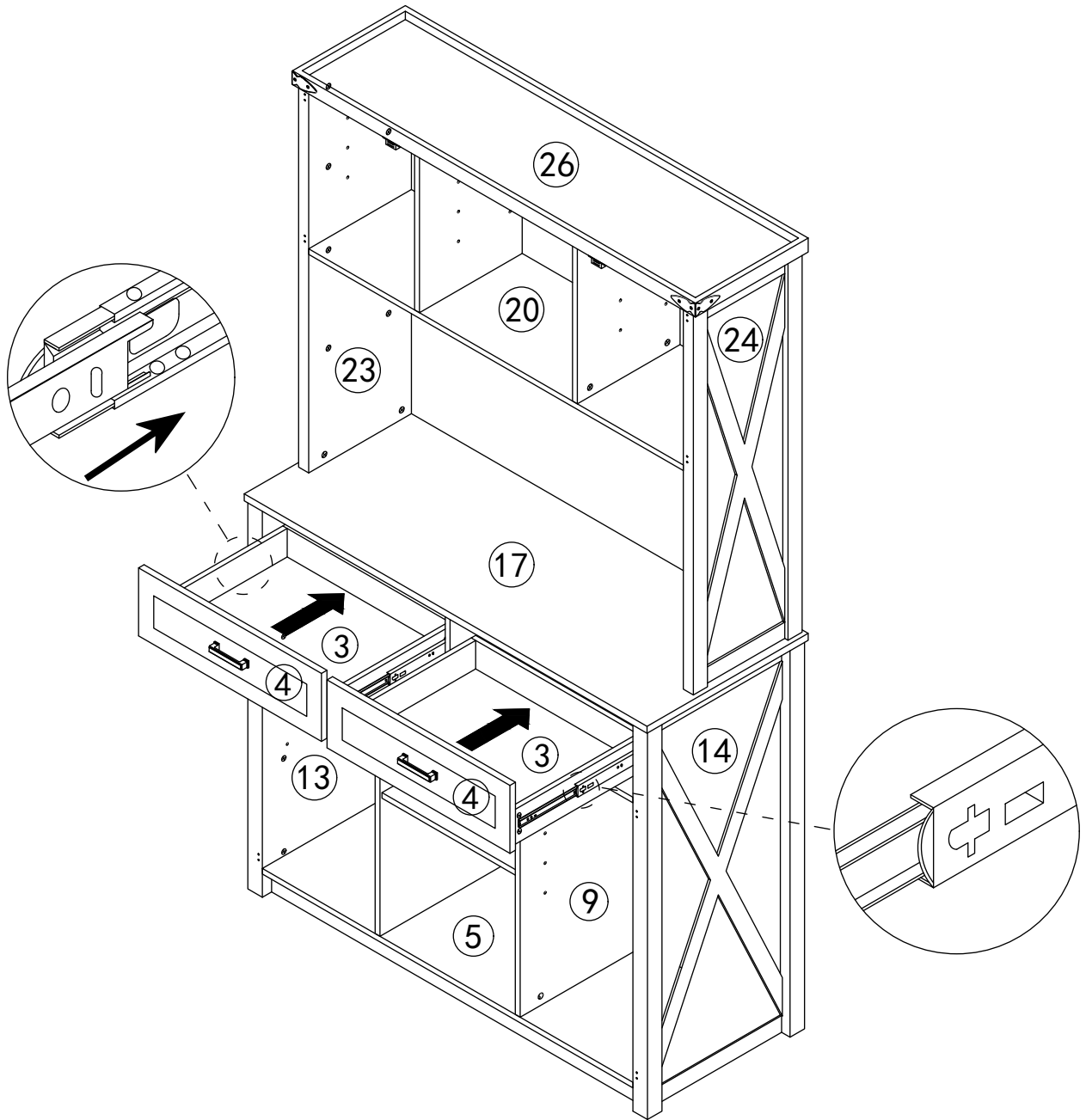


Step 64

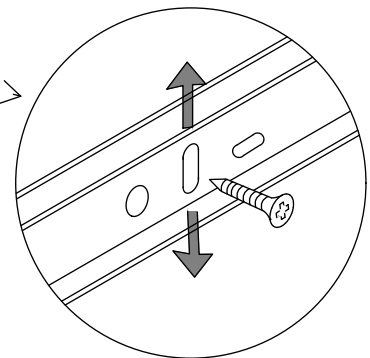
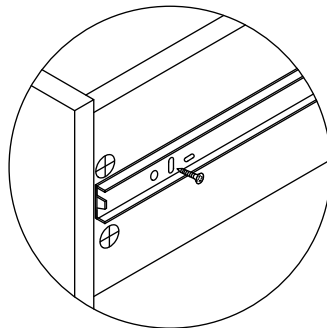
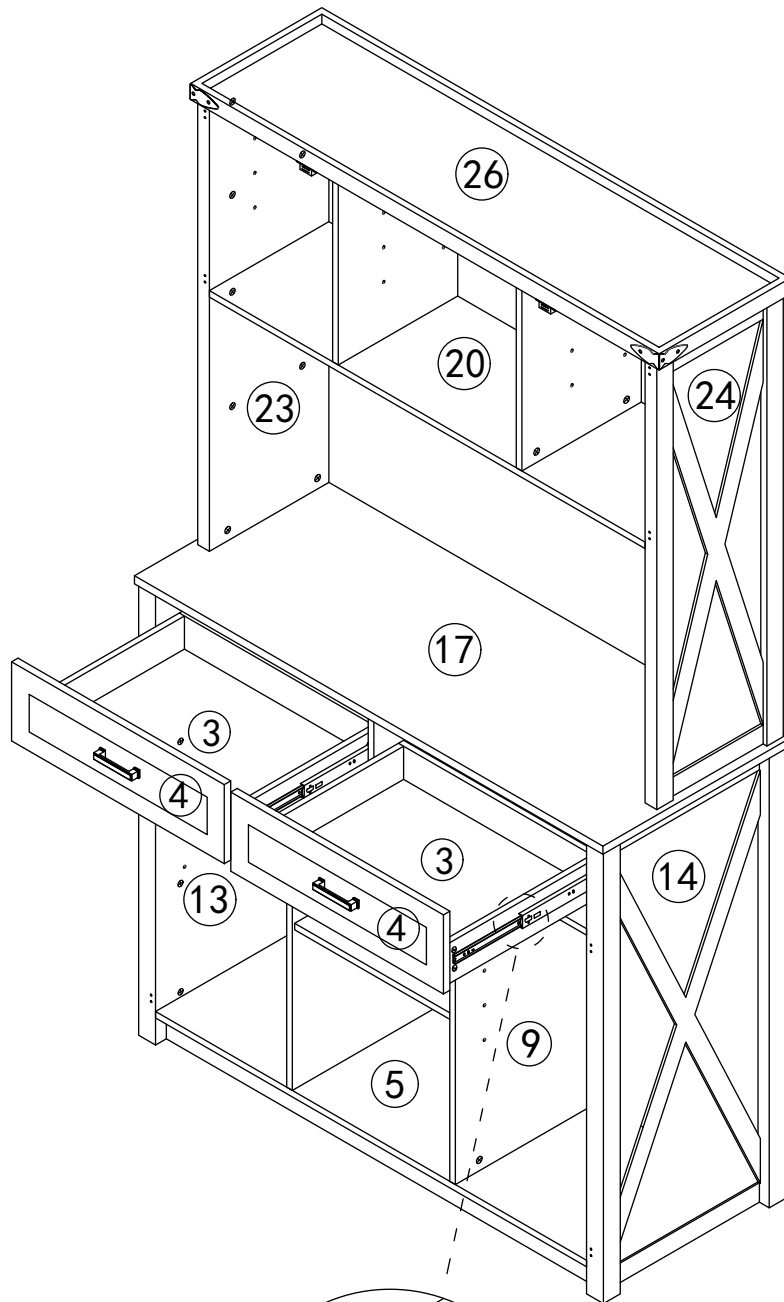


As shown, When installing the drawer, pull the guide rail out first, Slide beads are also pulled out.

Step 65

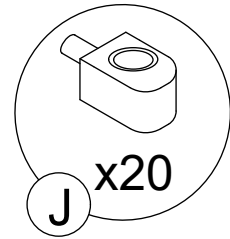
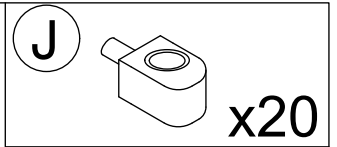
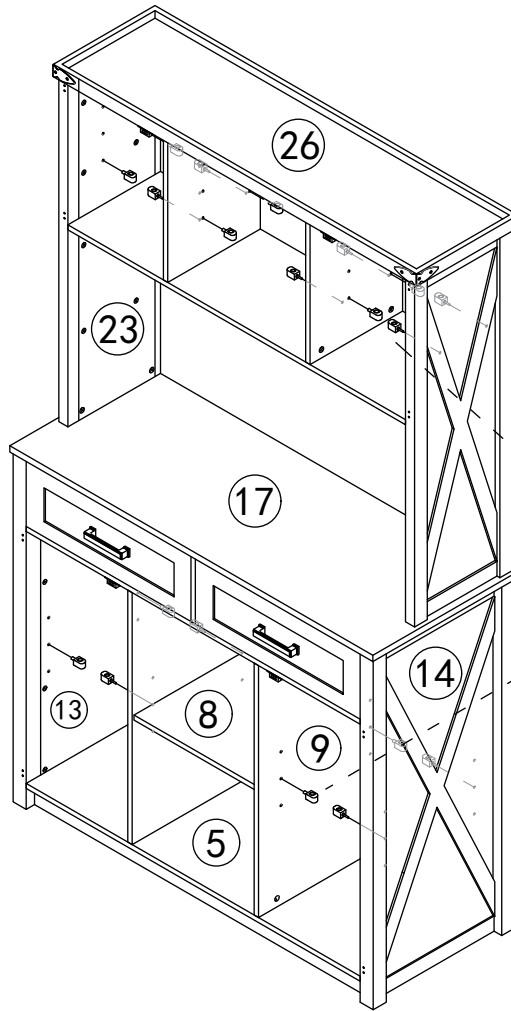


Step 66

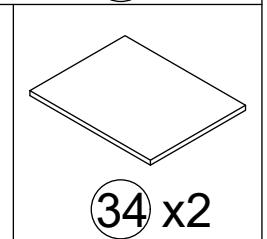
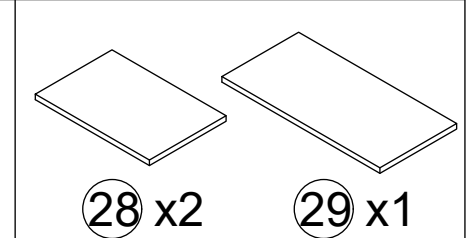
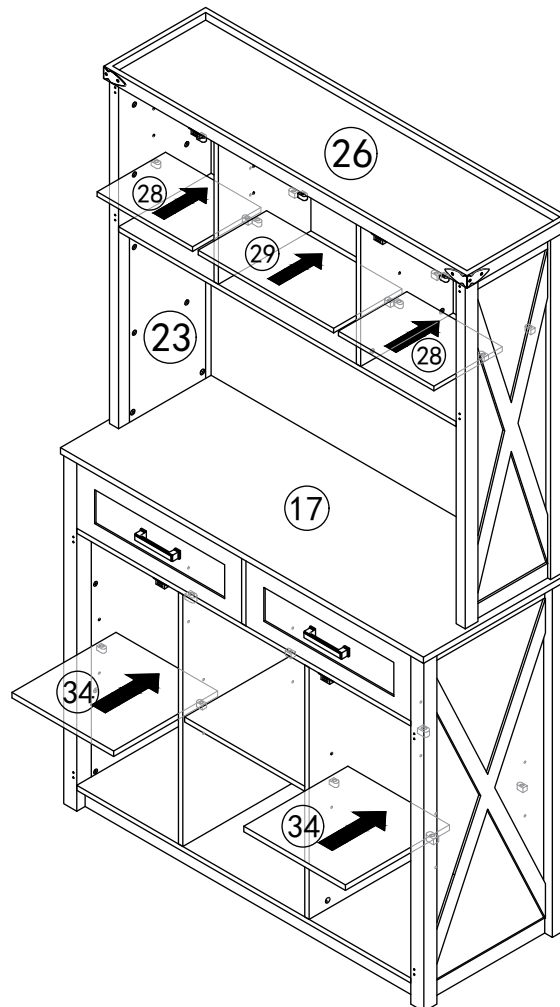


If a large gap is found after installing the drawer the slide rail can be moved up and down to adjust the gap

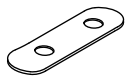
Step 67



Step 68



F

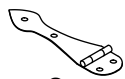


4pcs



8pcs

K



8pcs



32pcs

O



4pcs



8pcs

N



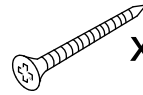
x2



x2



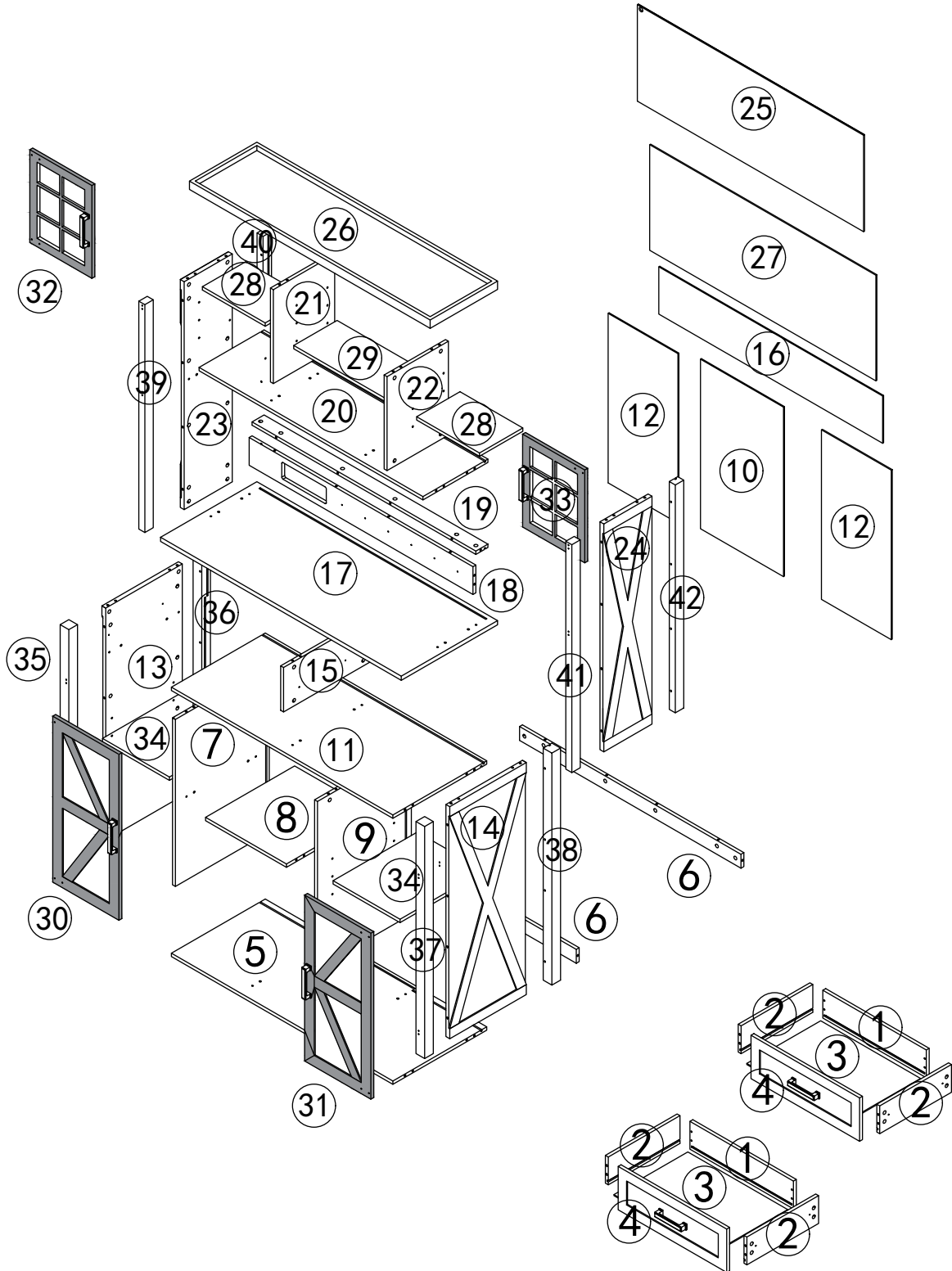
x2



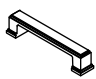

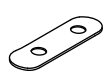

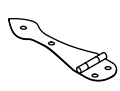
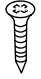
x2

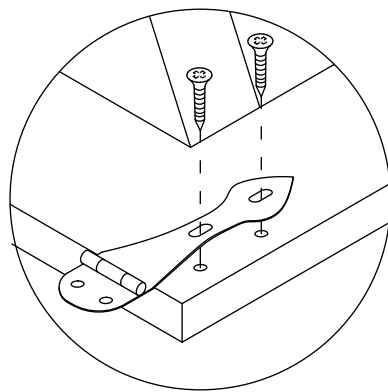
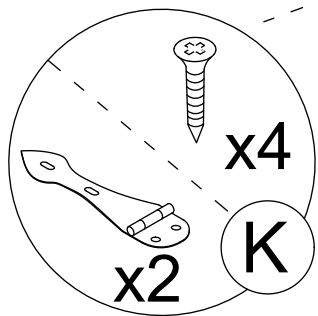
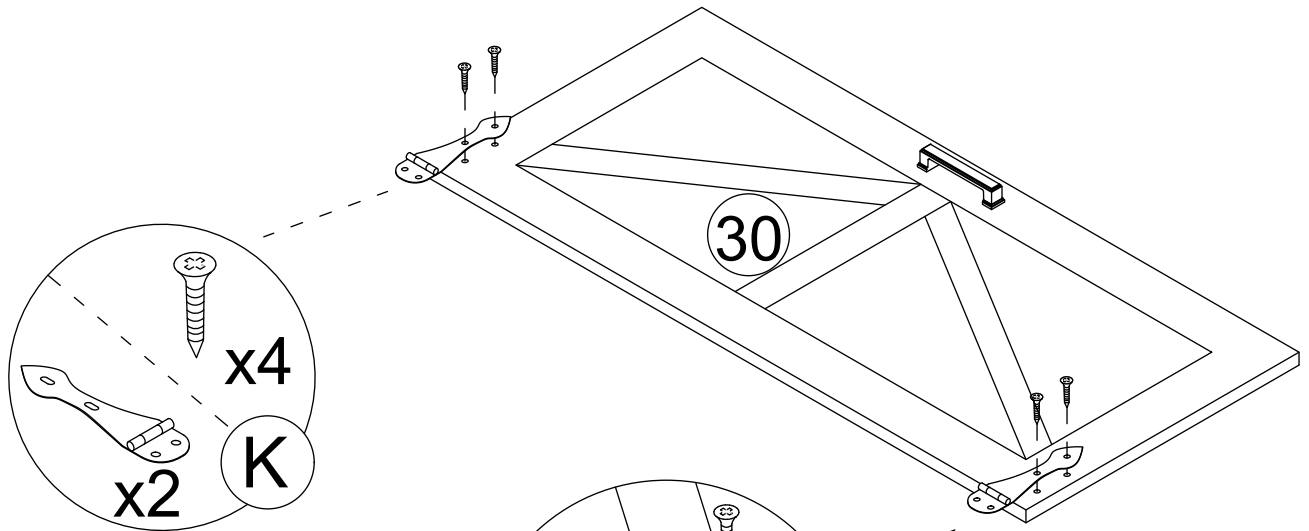
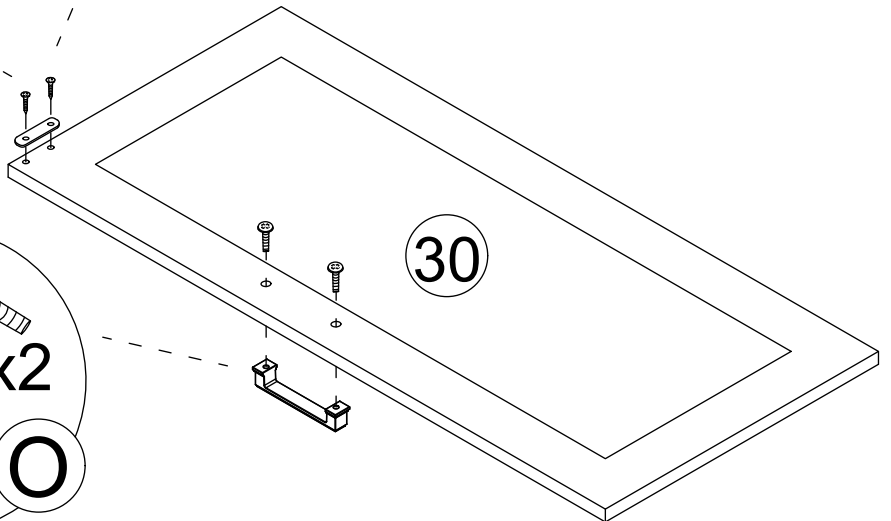
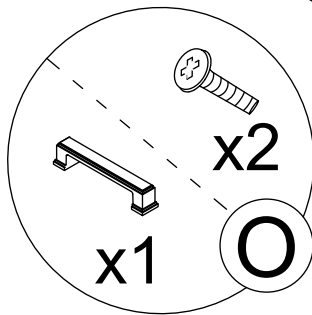
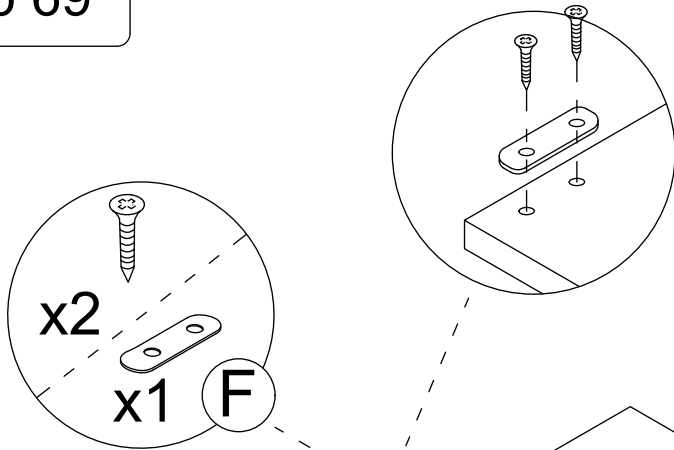


x4

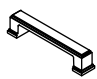



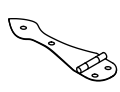



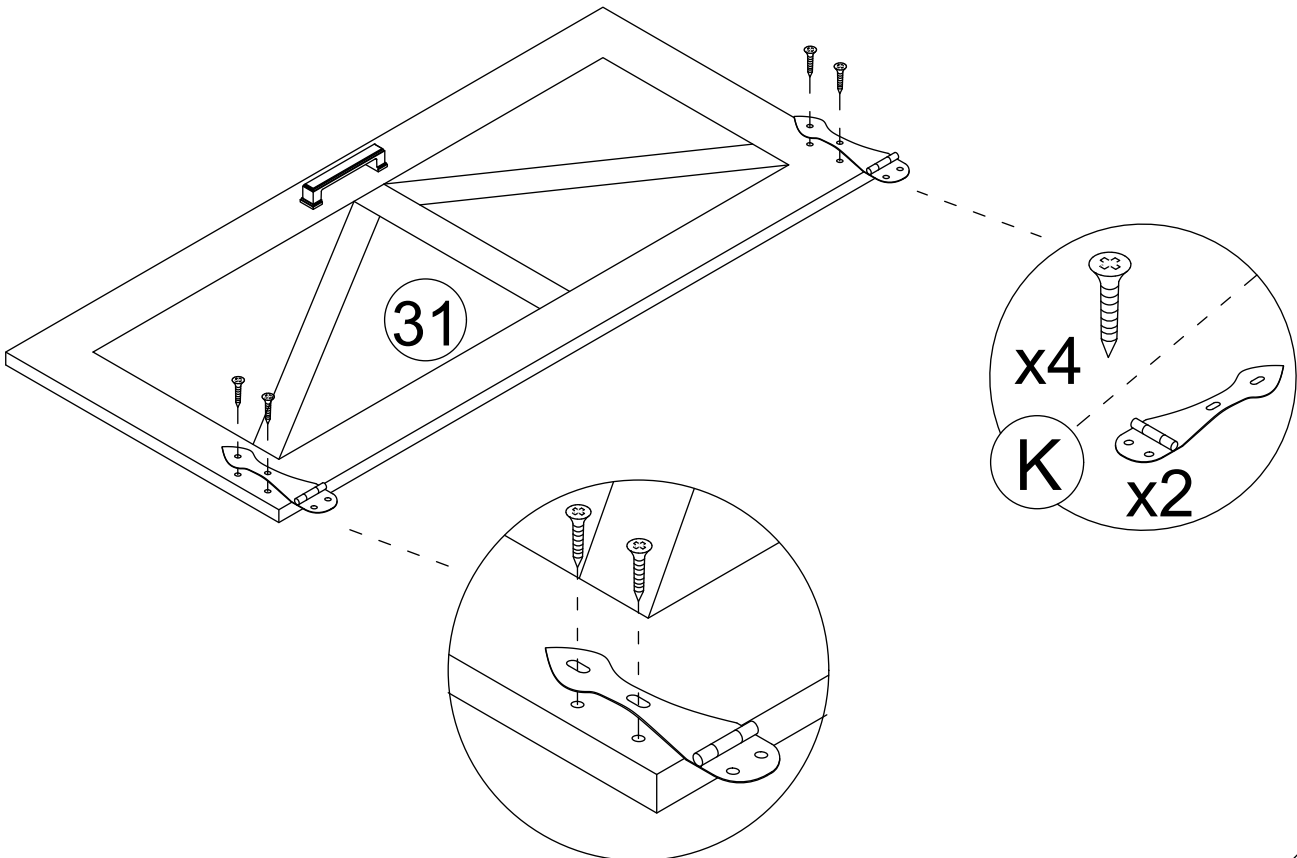
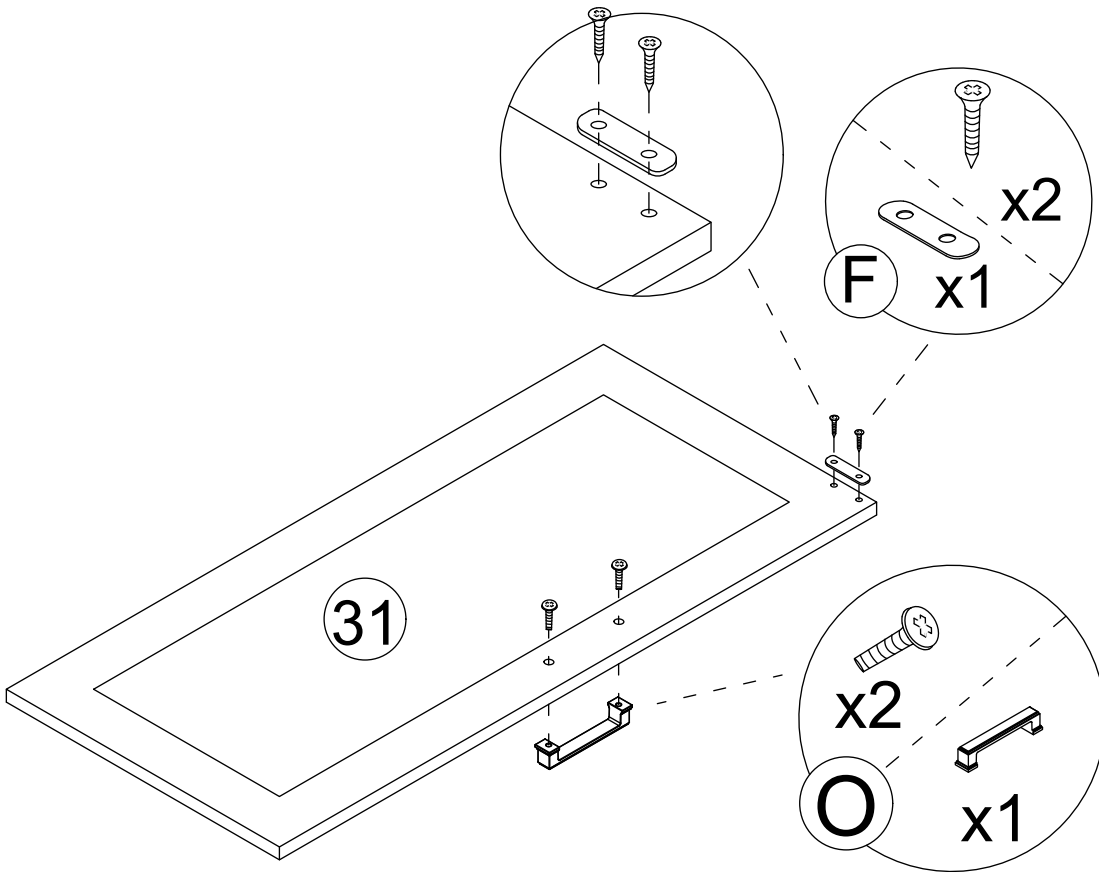
Step 69

O		
	x1	x2
F		
	x1	x2
K		
	x2	x4

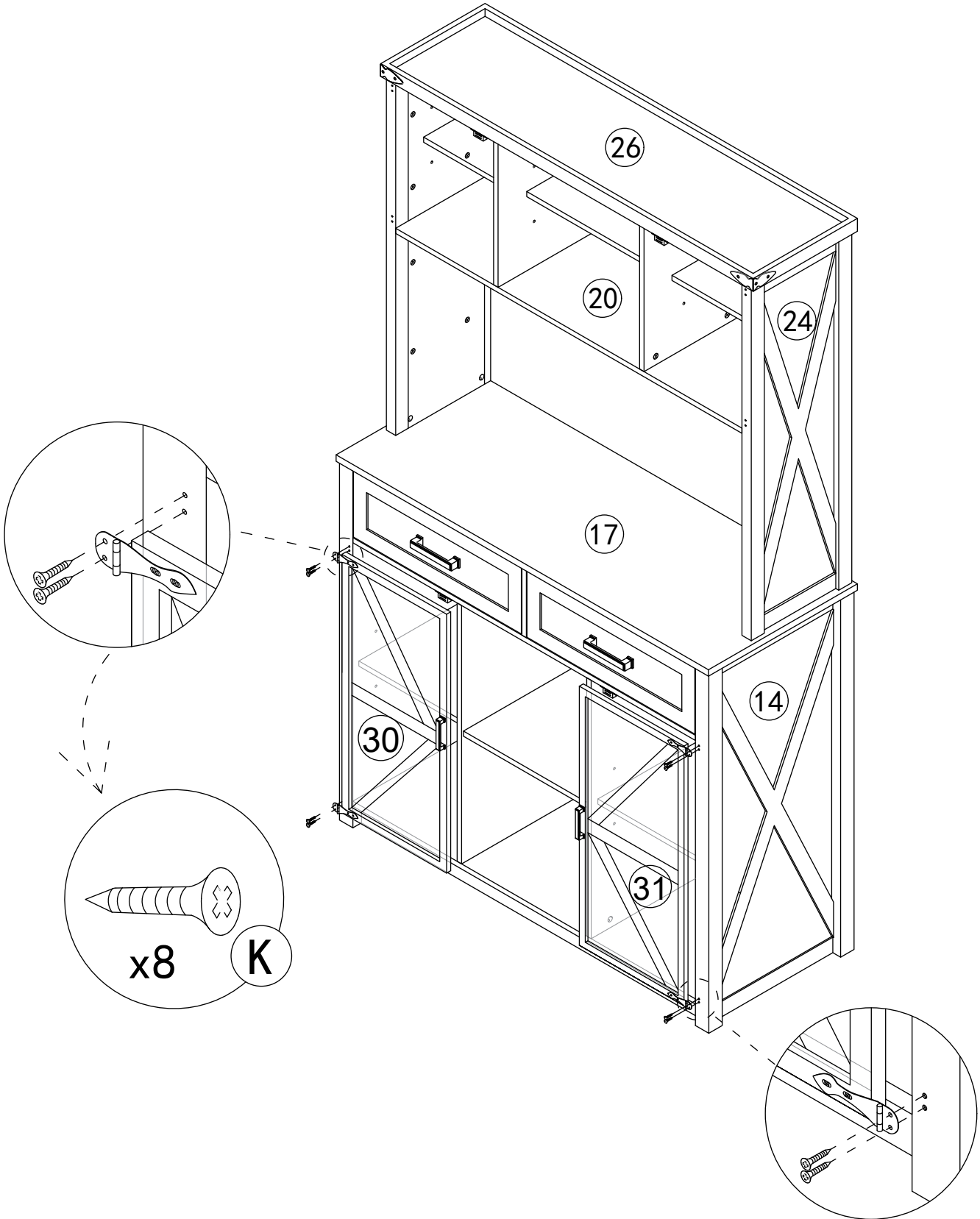
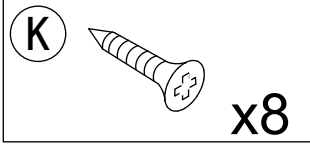


Step 70

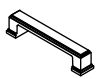

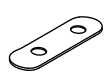

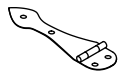
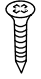
O		
	x1	x2
F		
	x1	x2
K		
	x2	x4

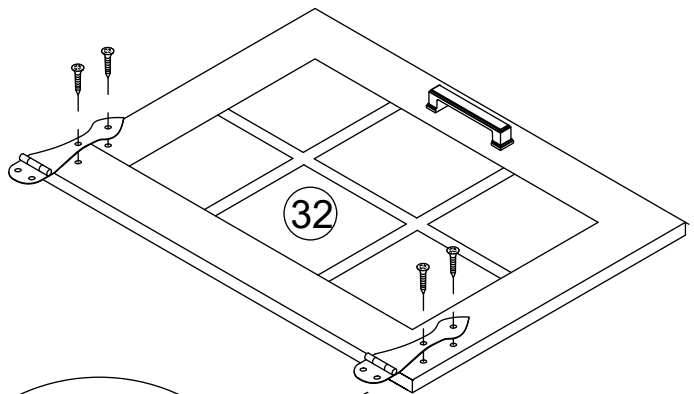
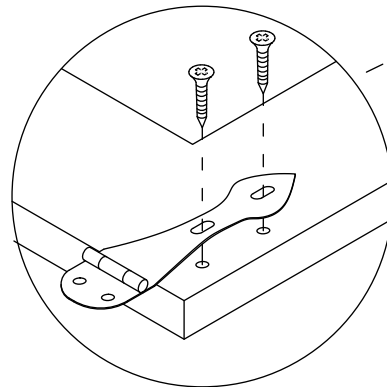
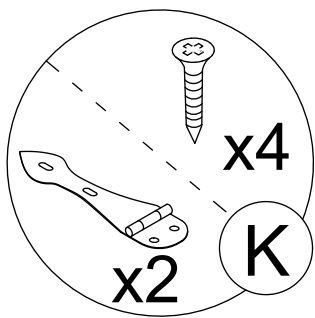
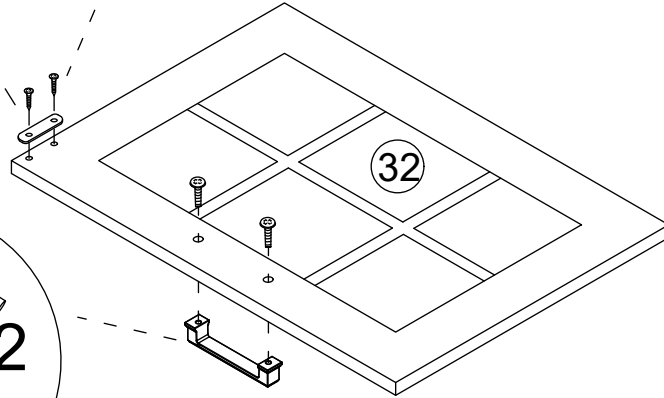
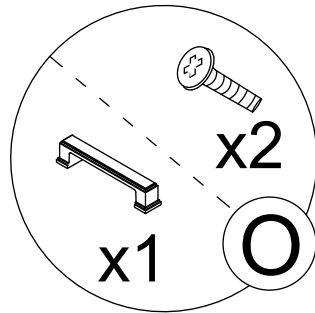
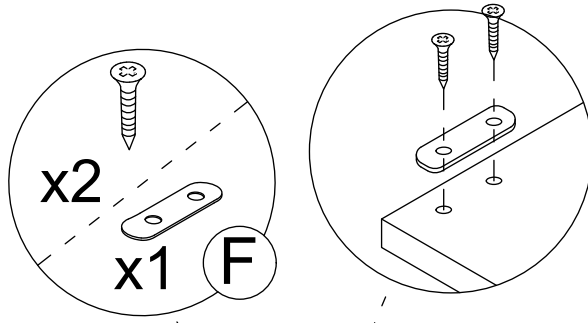


Step 71

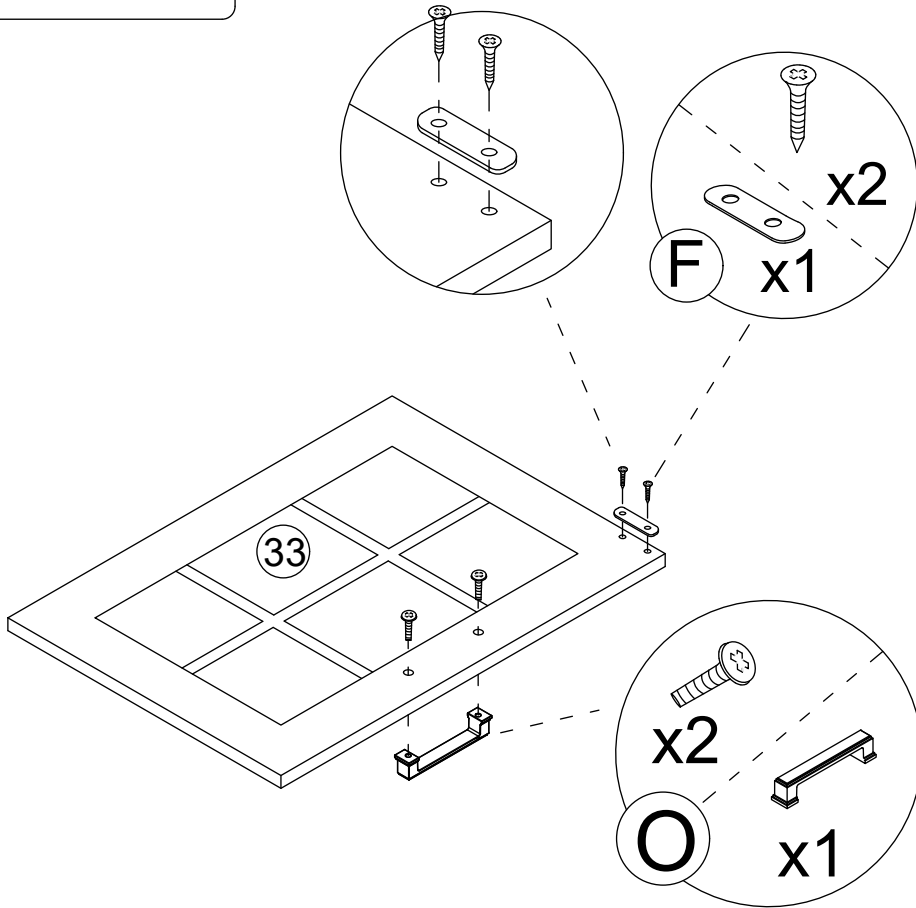


Step 72

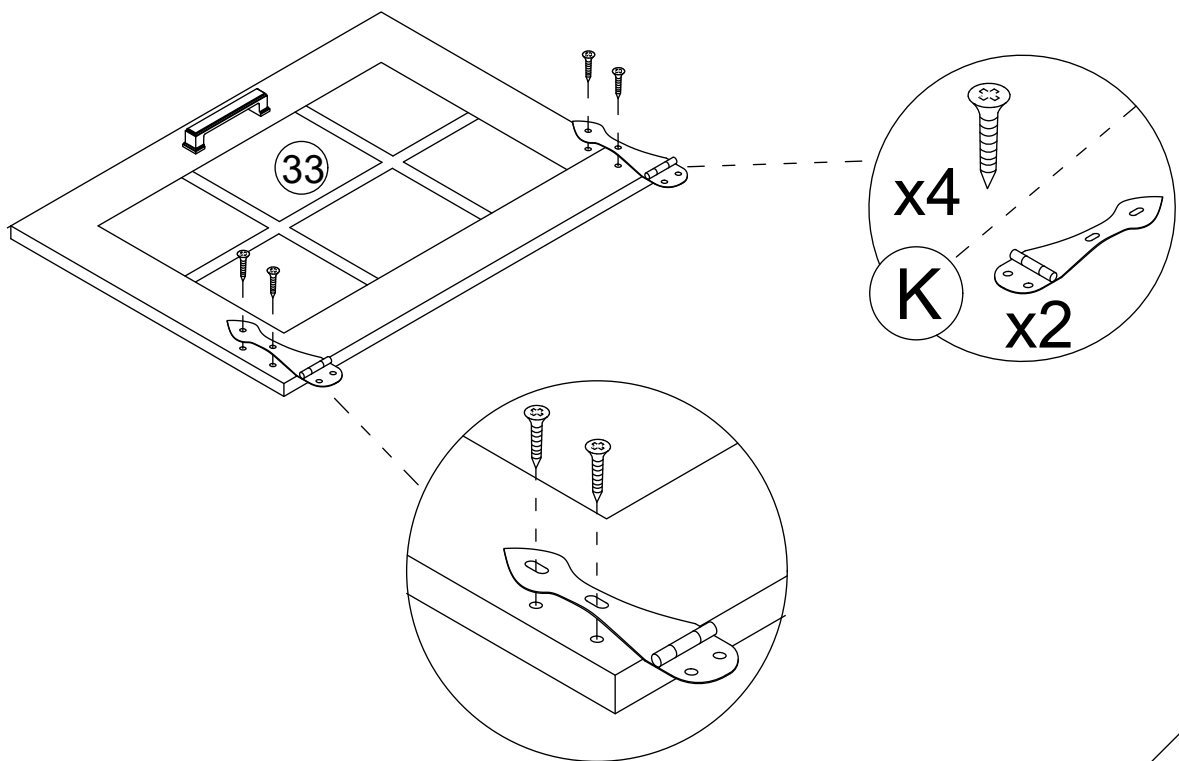
O		
	x1	x2
F		
	x1	x2
K		
	x2	x4



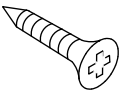
Step 73

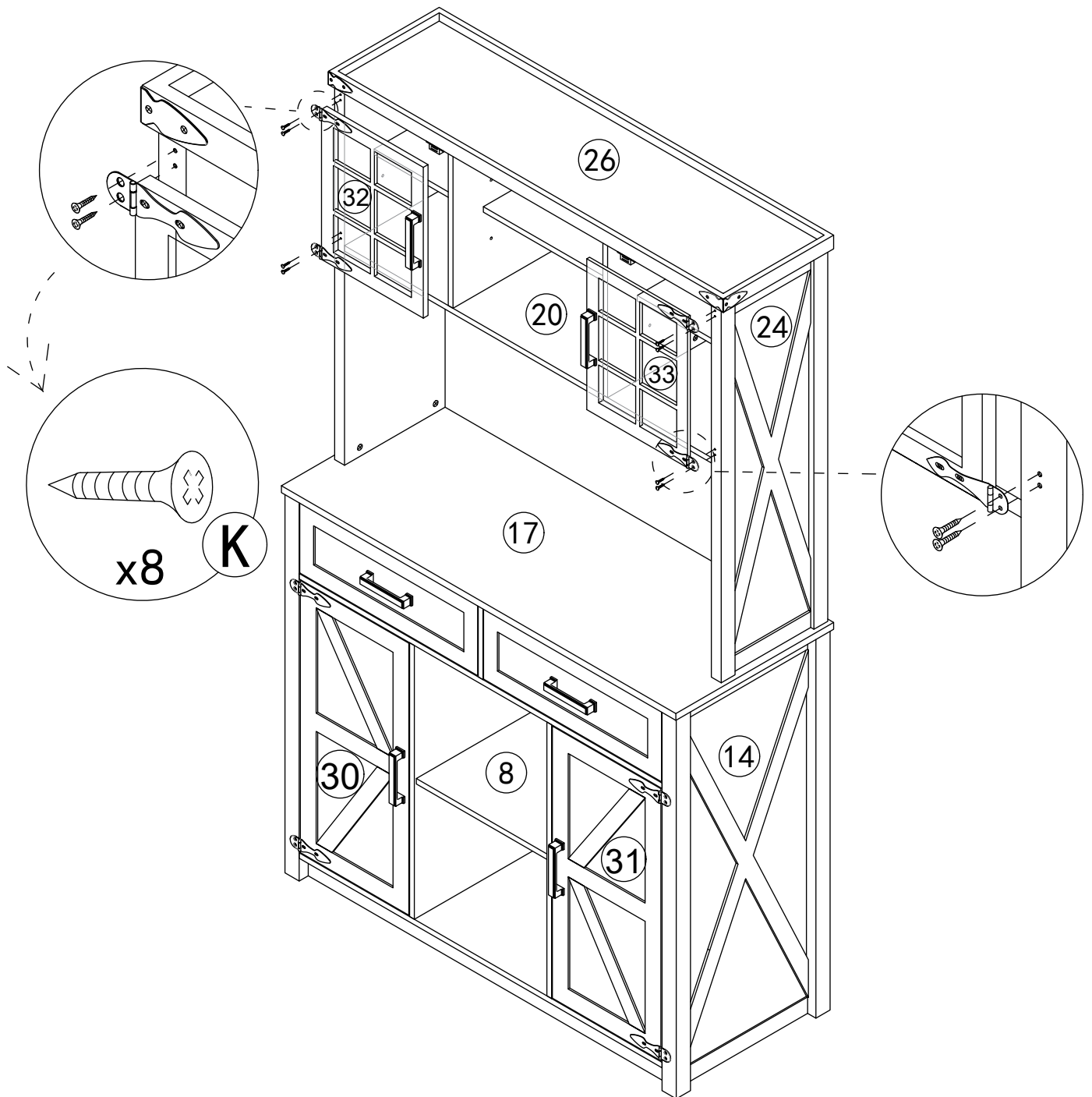


O		
	x1	x2
F		
	x1	x2
K		
	x2	x4

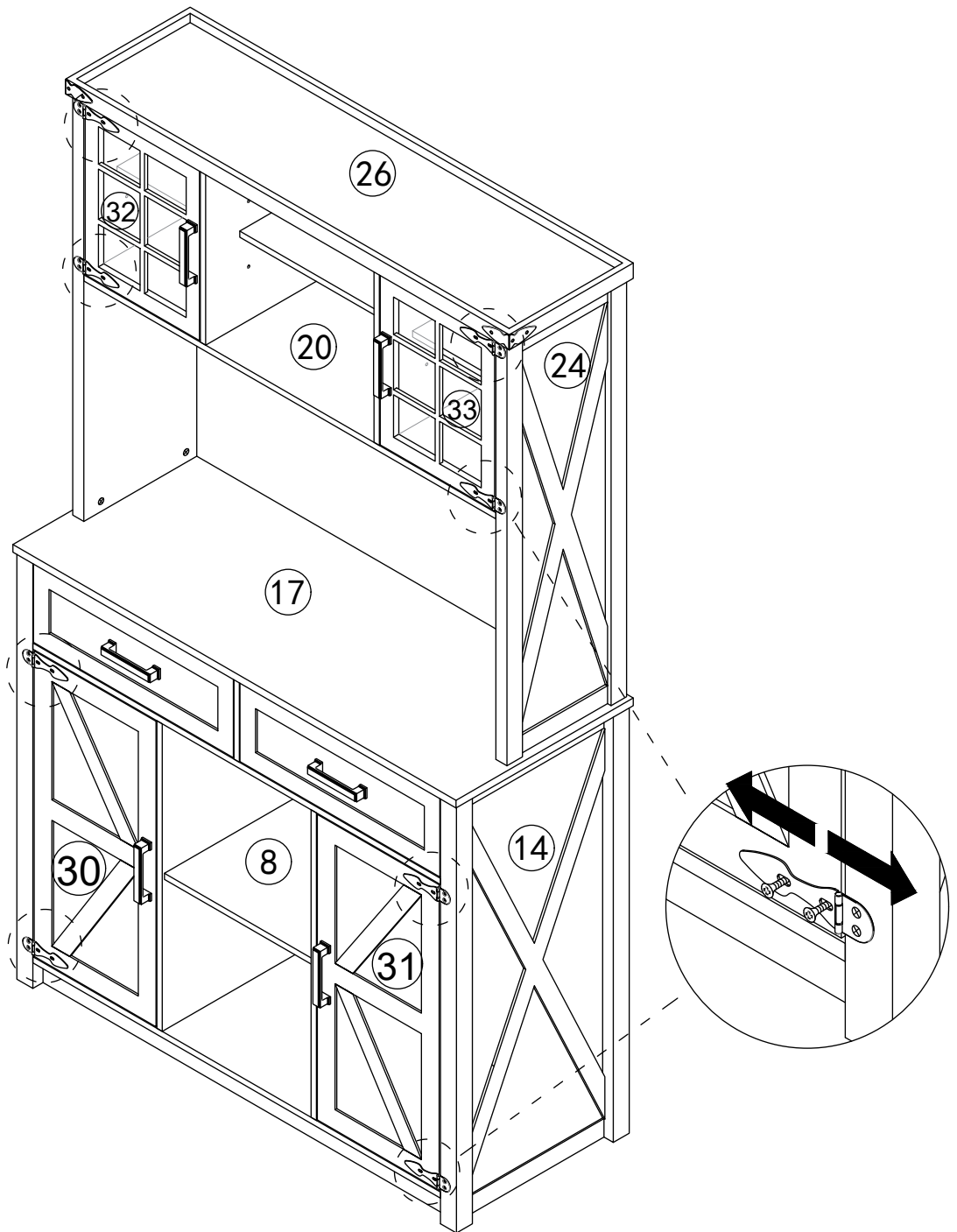


Step 74

K  x8



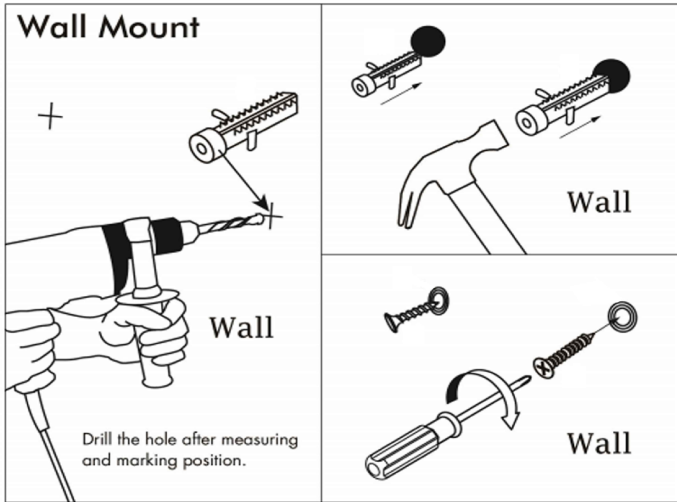
Step 75



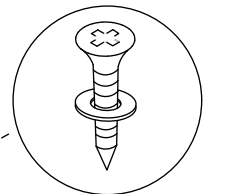
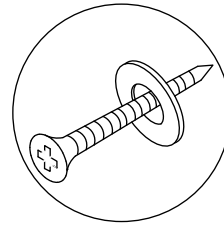
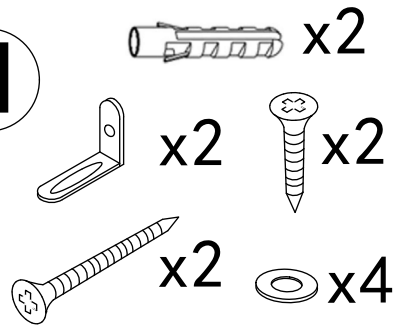
If there is a large gap after the installation of the door, please twist the screw of the door hinge back halfway and move the door left and right.

Step 76

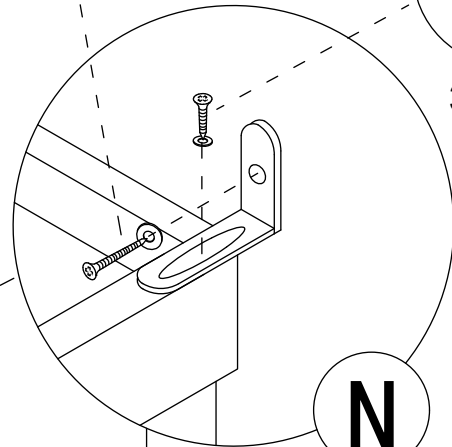
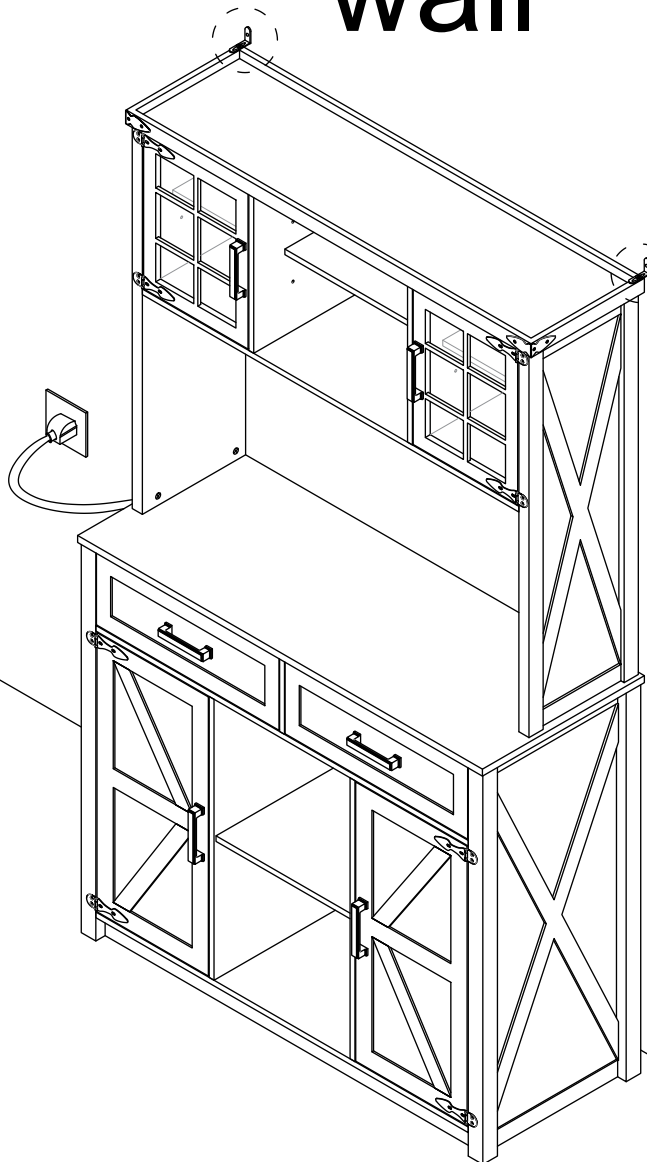
Install as required



N



wall





User's Guide

Thank you for purchasing this product.

To use this product, please plug it into a 12V DC power supply.

Please use if the product works normally after connecting to power.

Introduction

The box is an intelligent controller. It has 1 USB output port 1 Type-c port and can distribute the current output up to 5V DC-2A. With 2 touch buttons, it can turn. ON/OFF the light, change light colors, and adjust the light luminance.

Operation



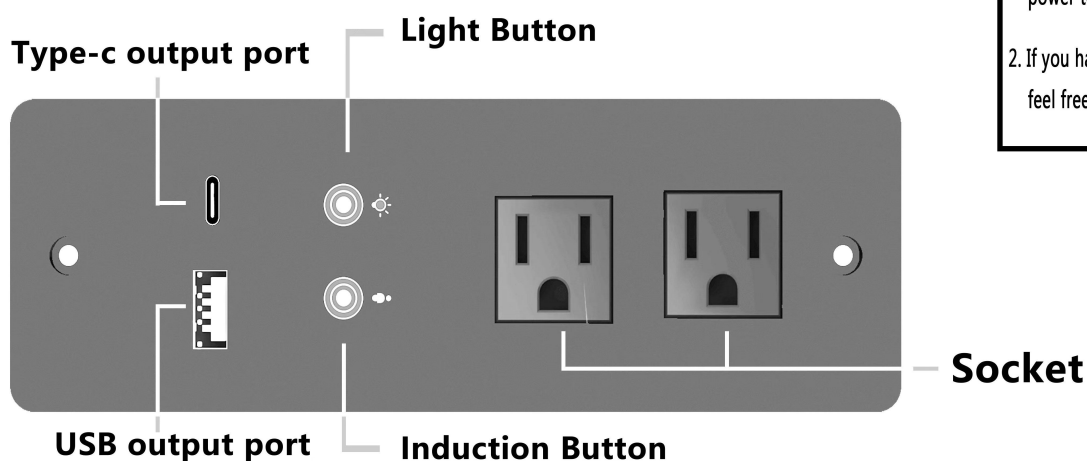
This touch button is used to turn on/off, change colors, and adjust brightness.

- A. Short touch -> lighting on -> short touch -> change light color -> short touch -> change light color -> short touch -> lighting off.
- B. Long touch -> adjust the luminance.



This touch button is used to turn on/off the induction function.

- A. Short touch to turn on the induction function. It can auto-turn on the light when people are close to the controller in 1 meters. It can auto power off the light when the body is far away from the controller after 30 seconds.
- B. Long touch to turn off the induction function.
- C. Note: When you touch the light button to change the light modes, the induction function will automatically turn off. It is best to turn on this function after selecting the light color and adjusting the brightness you want.



ATTENTION PLEASE

1. If there is no touch response suddenly, Re-plug the power to reset the touch static electricity.
2. If you have any questions when installing, please feel free to contact us. Thank you.