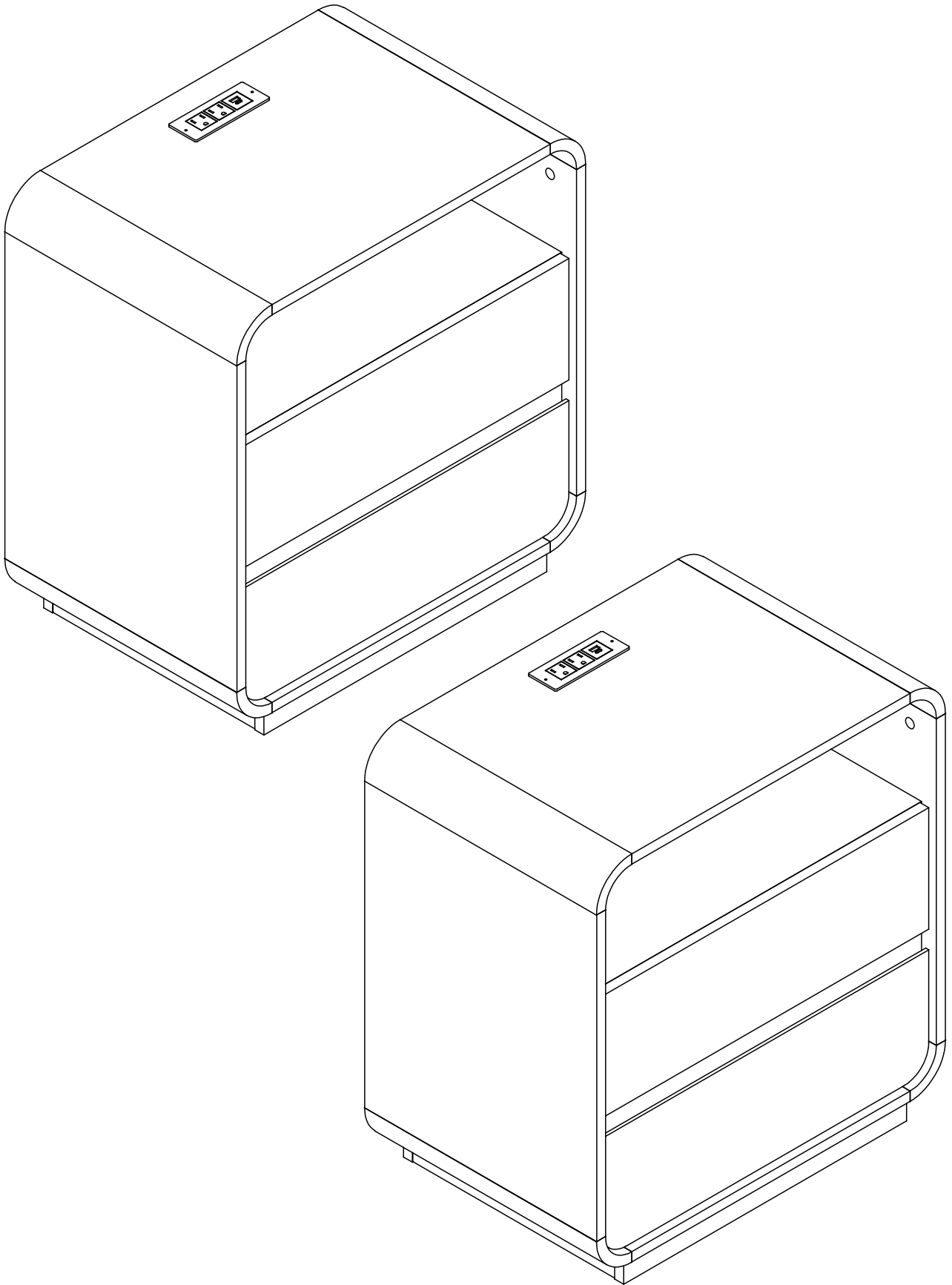
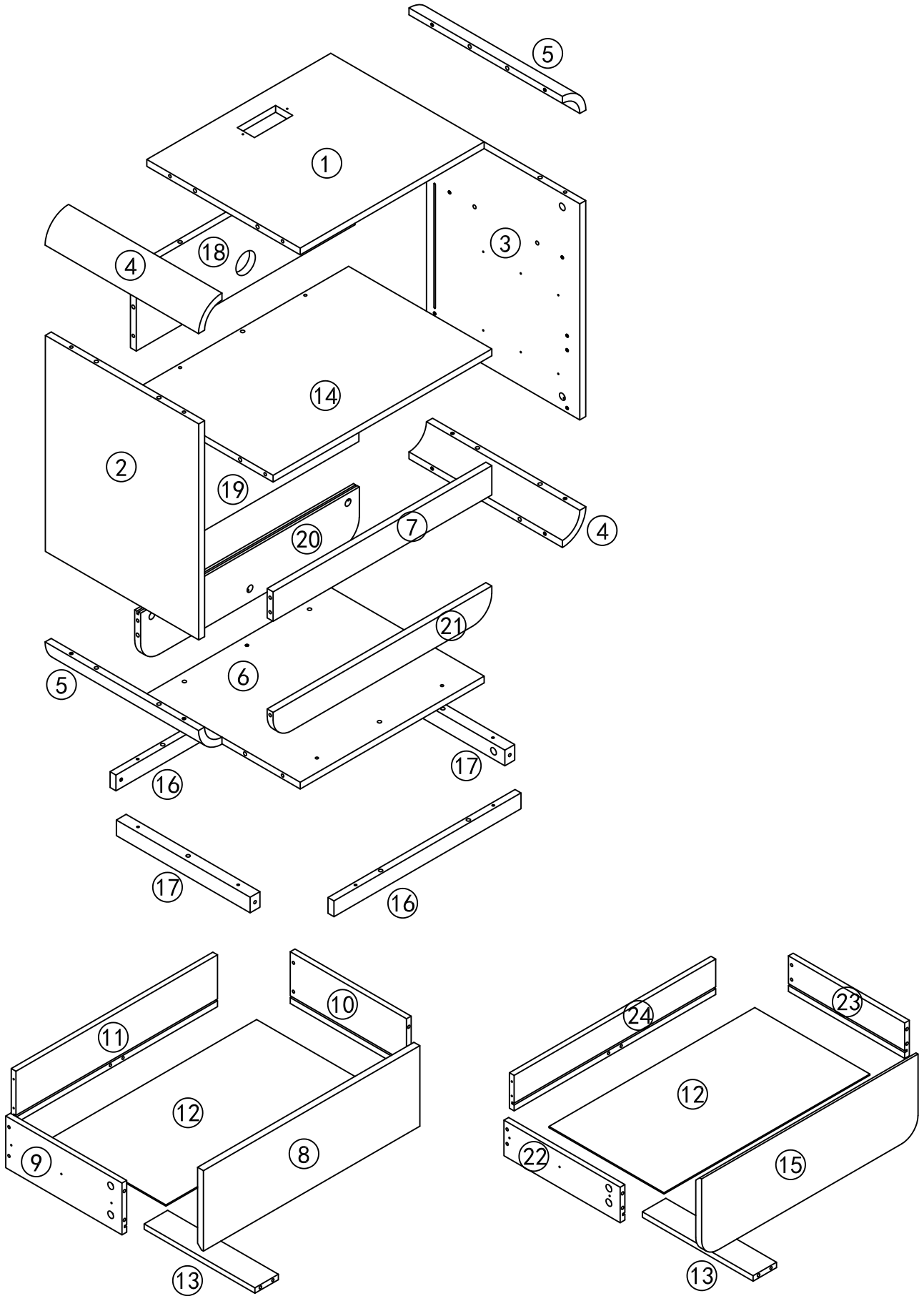
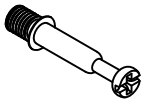

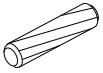
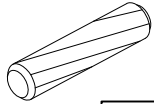
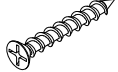
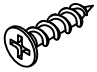
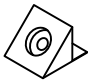
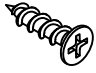

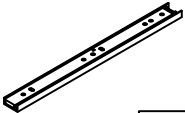



# Installation & Assembly

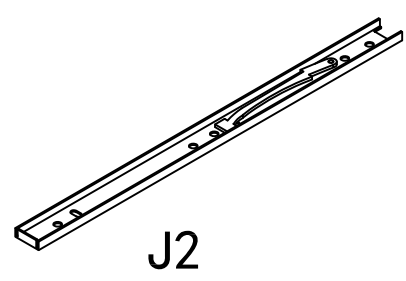
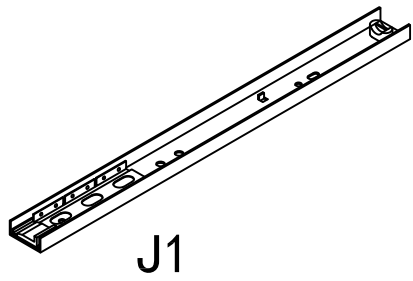
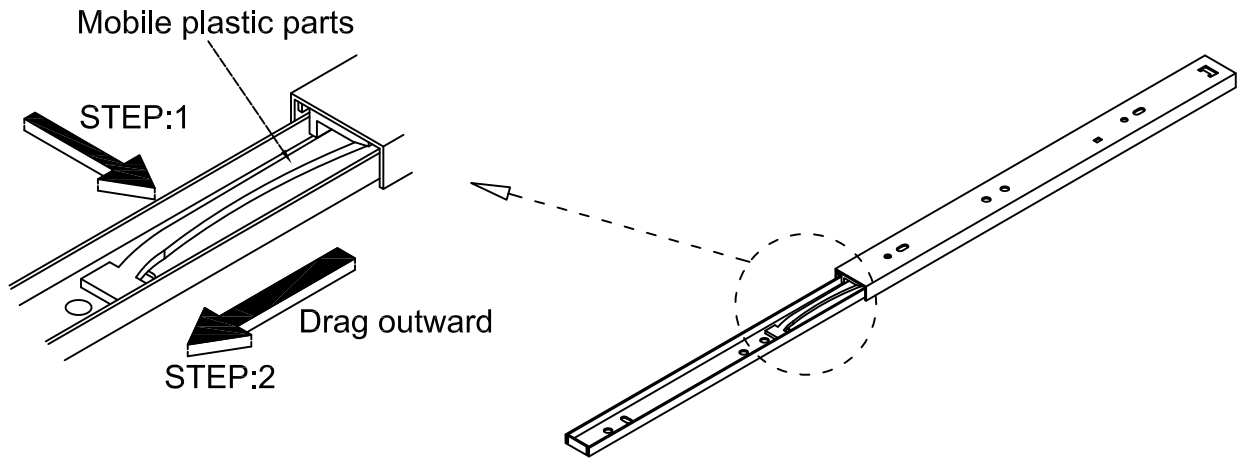




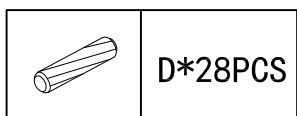
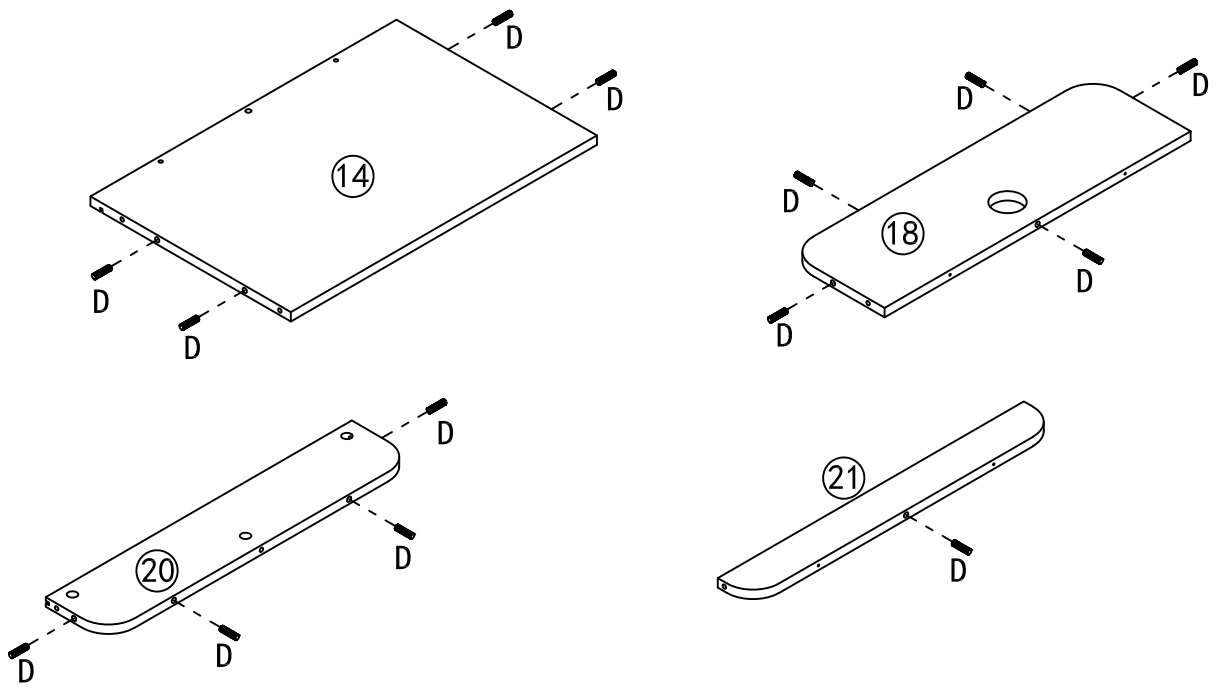
X2

<p>A</p>  <p>92+2PCS</p>	<p>B</p>  <p>92+2PCS</p>	<p>C</p>  <p>Ø6*30MM 8+1PCS</p>	<p>D</p>  <p>Ø8*30MM 72+2PCS</p>
<p>E</p>  <p>M4*30MM 44+2PCS</p>	<p>F</p>  <p>Ø3.5*12MM 48+2PCS</p>	<p>G</p>  <p>8+1PCS</p>	<p>H</p>  <p>M3*16MM 8+1PCS</p>
<p>I</p>  <p>2PCS</p>	<p>J</p>  <p>8PCS</p>	<p>K</p>  <p>M3*12MM 4PCS</p>	

# STEP 1

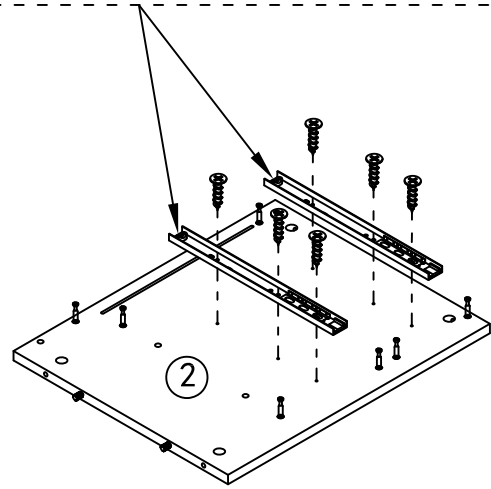
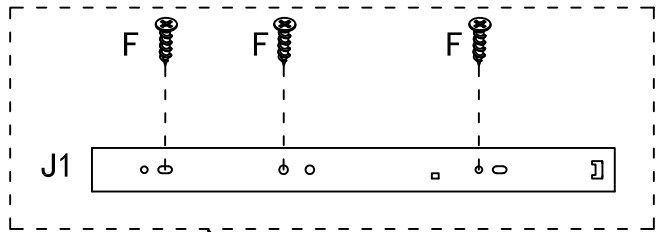
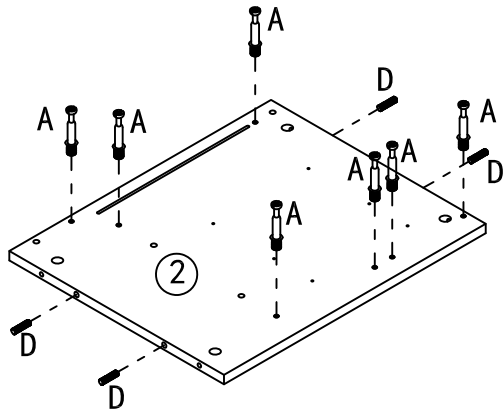


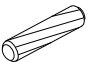



# STEP 2



X2

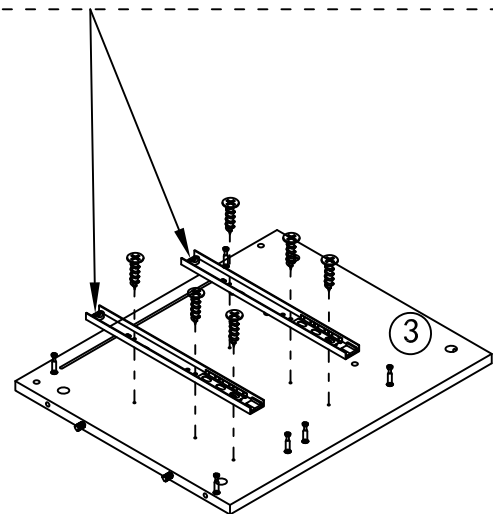
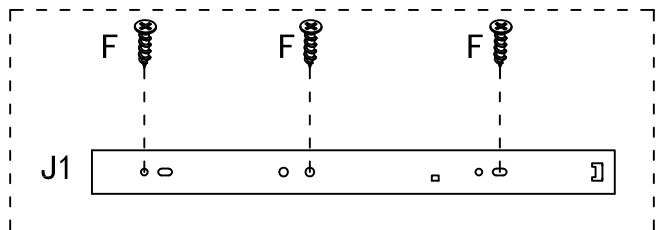
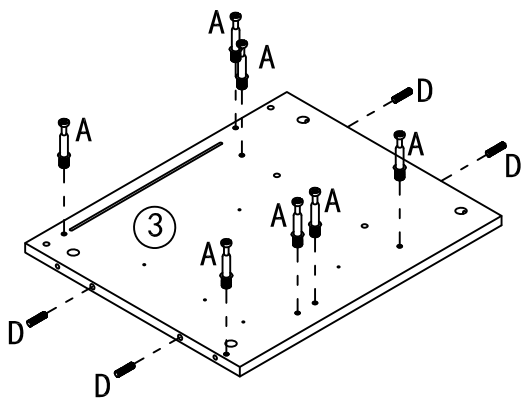
# STEP 3







	D*8PCS		A*14PCS		F*12PCS		J1*4PCS
---	--------	---	---------	---	---------	--	---------

X2

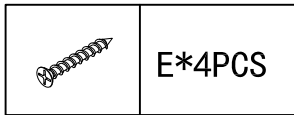
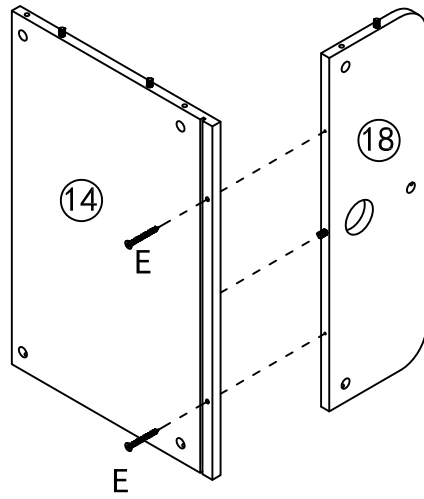
# STEP 4



	D*8PCS		A*14PCS		F*12PCS		J1*4PCS
---	--------	---	---------	---	---------	--	---------

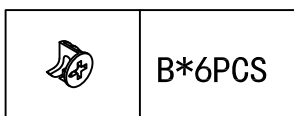
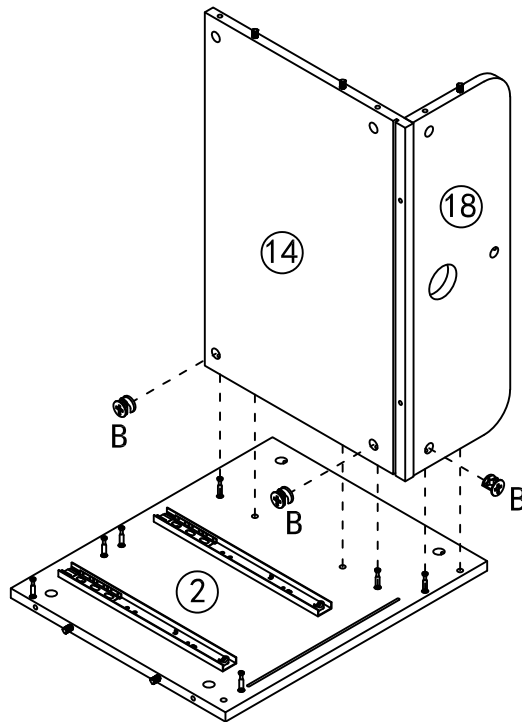
X2

# STEP 5



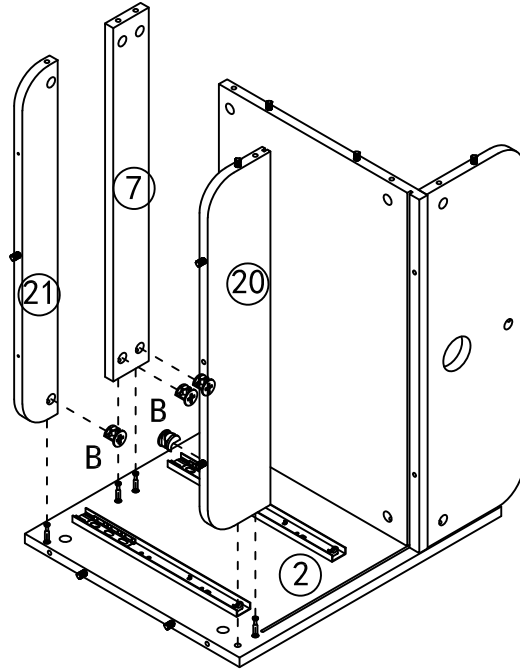
X2


# STEP 6



X2

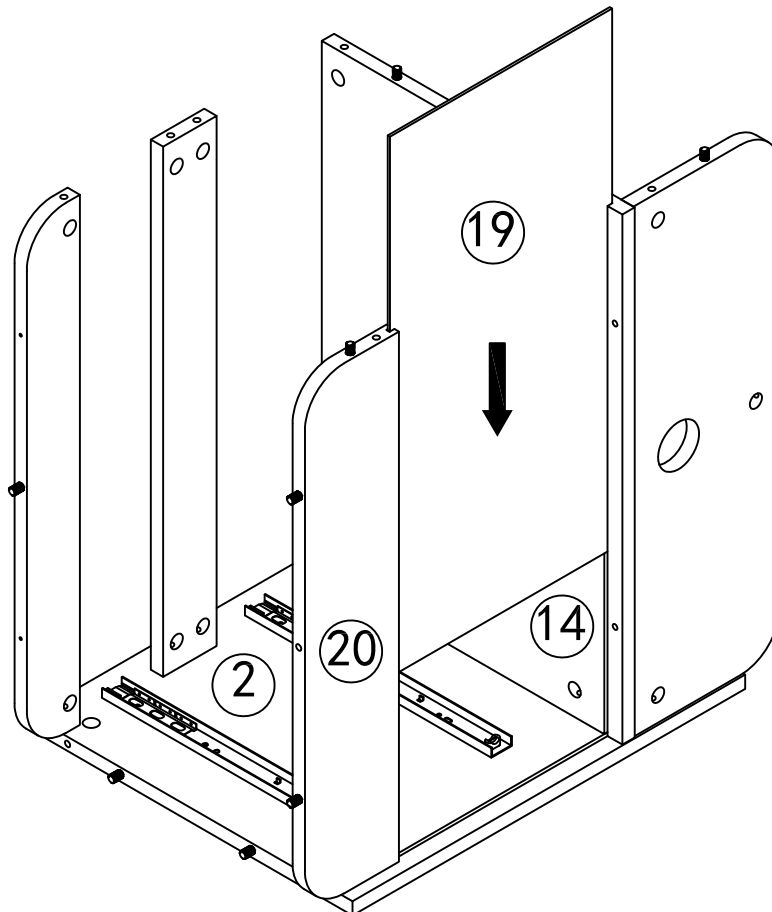
# STEP 7



	B*8PCS
---	--------

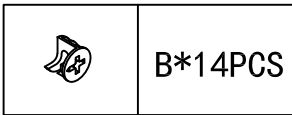
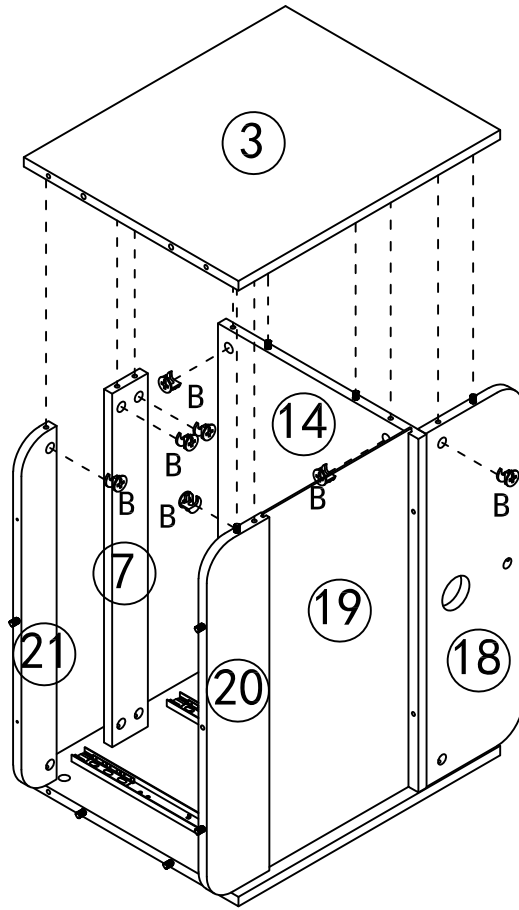
X2

# STEP 8



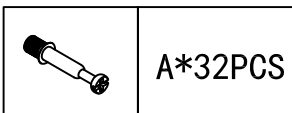
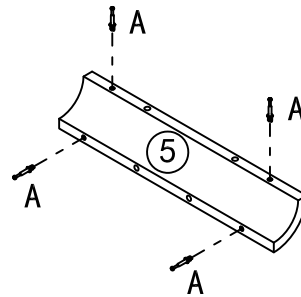
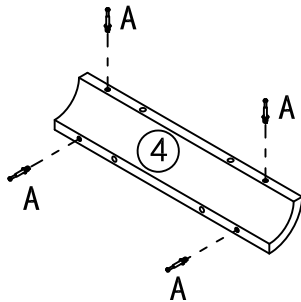
X2

# STEP 9



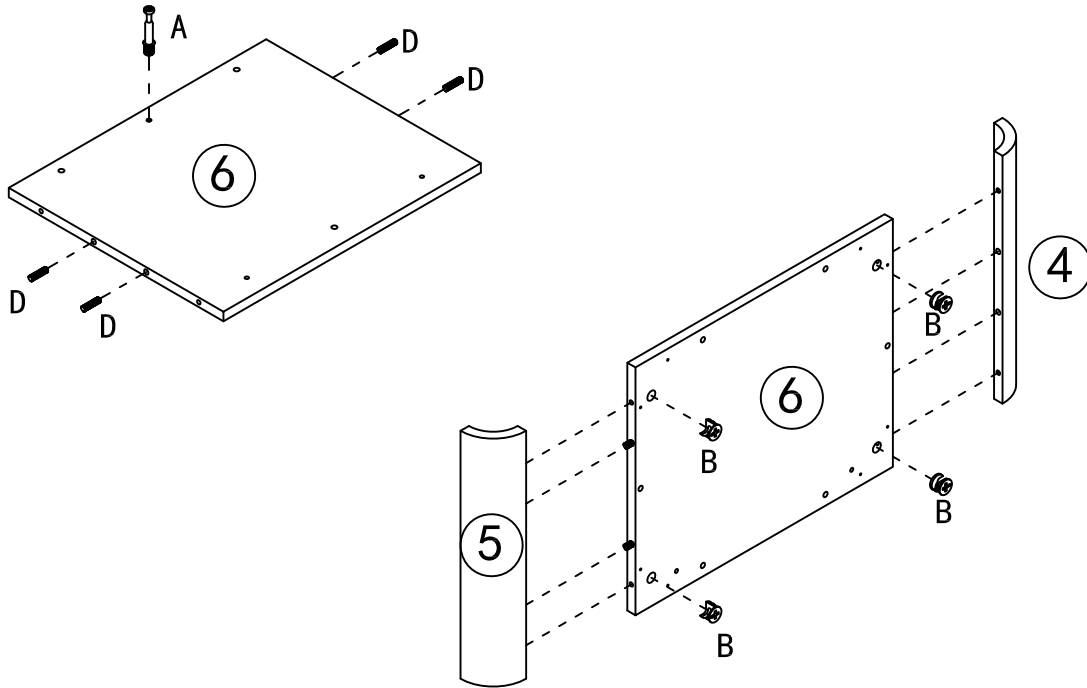
X2


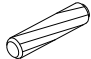

# STEP 10



X4

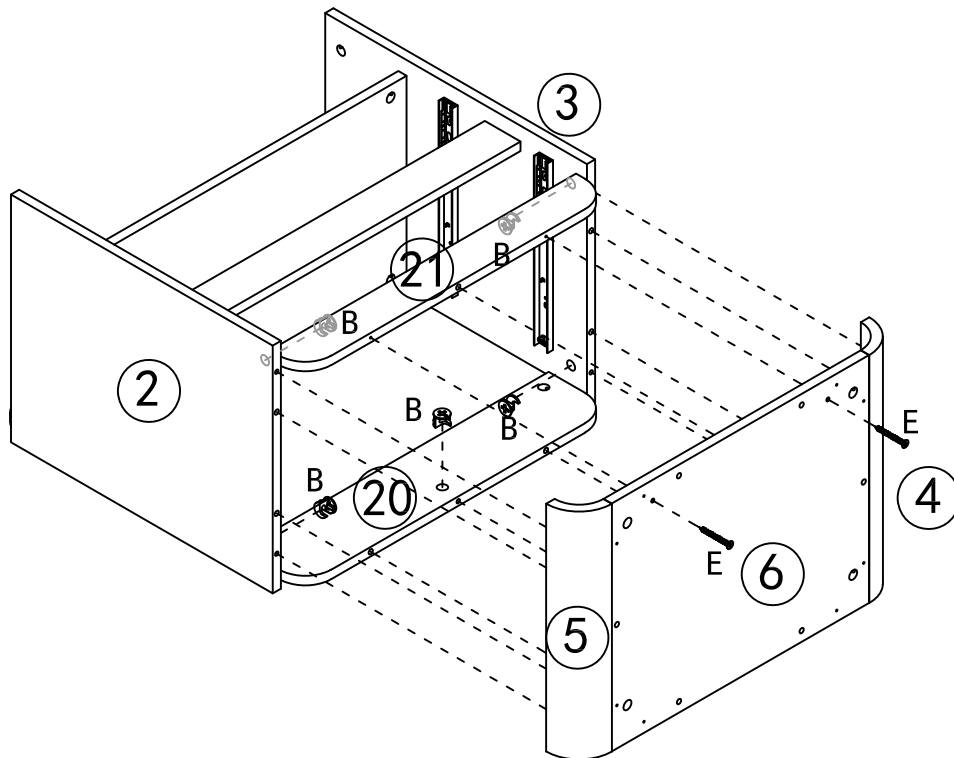
# STEP 11





	B*8PCS		D*8PCS		A*2PCS
---	--------	---	--------	---	--------

X2

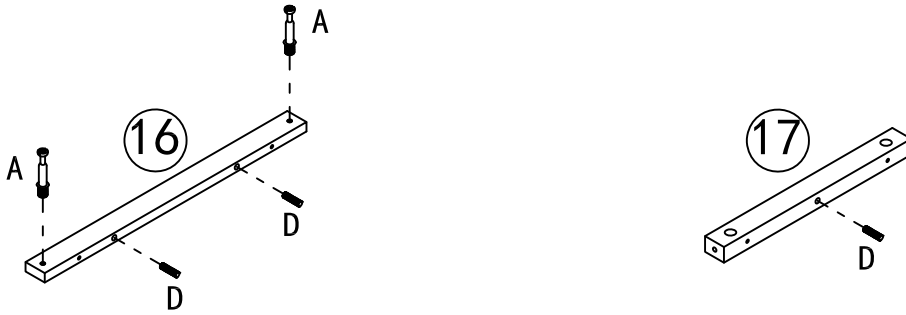
# STEP 12

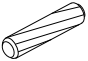



	B*10PCS		E*4PCS
---	---------	---	--------

X2

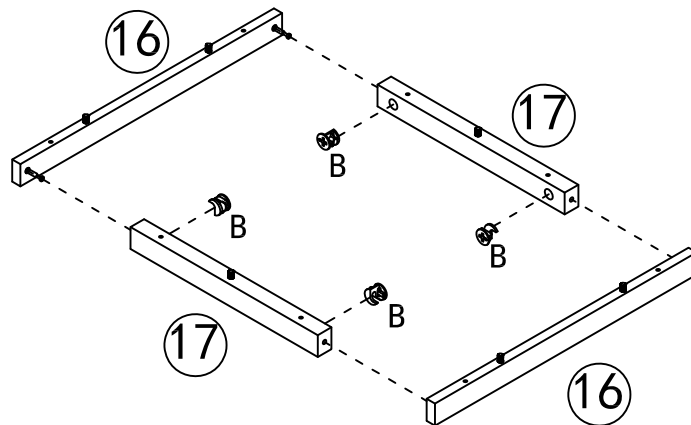
# STEP 13




	D*12PCS		A*8PCS
---	---------	---	--------

X4

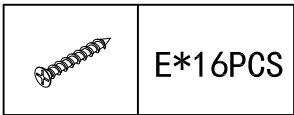
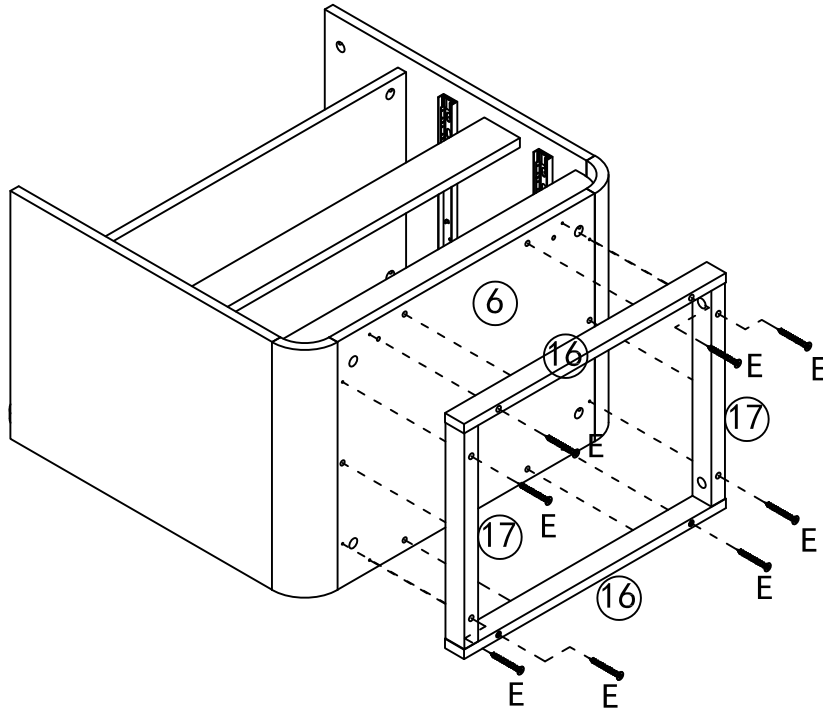
# STEP 14



	B*8PCS
---	--------

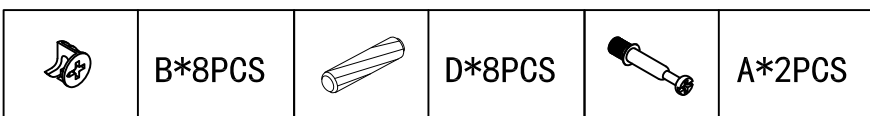
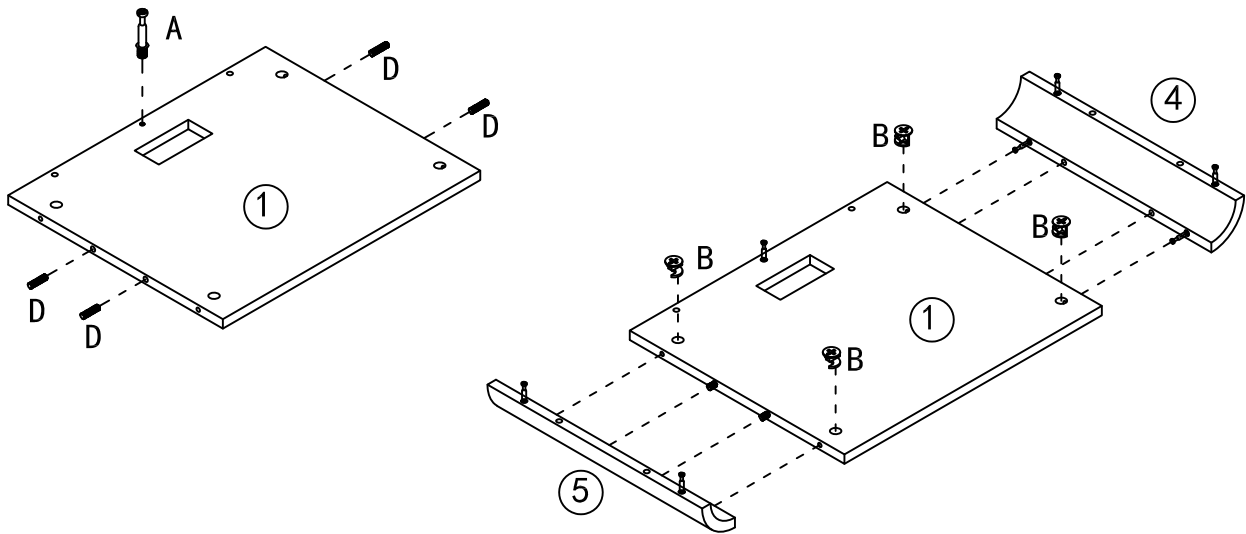
X2

# STEP 15



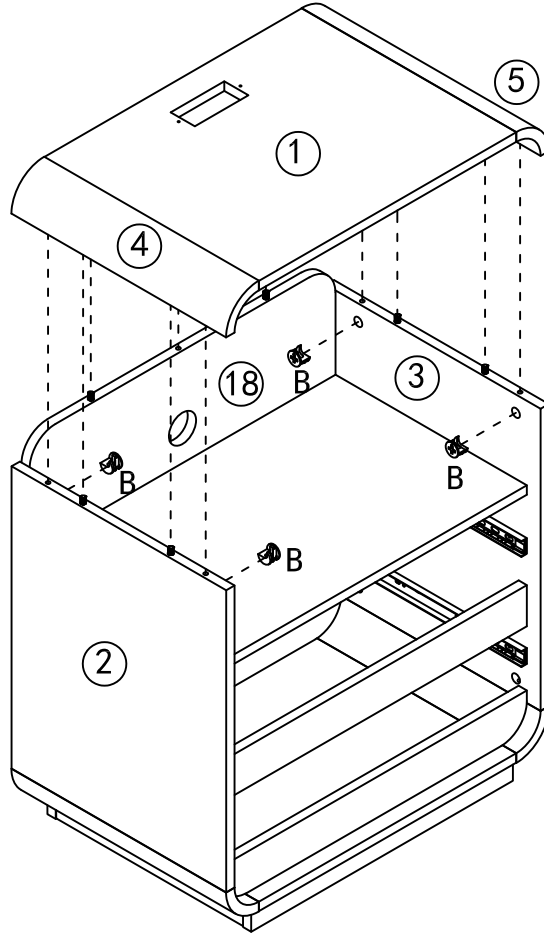
X2


# STEP 16



X2

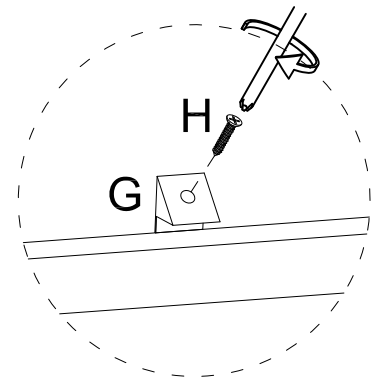
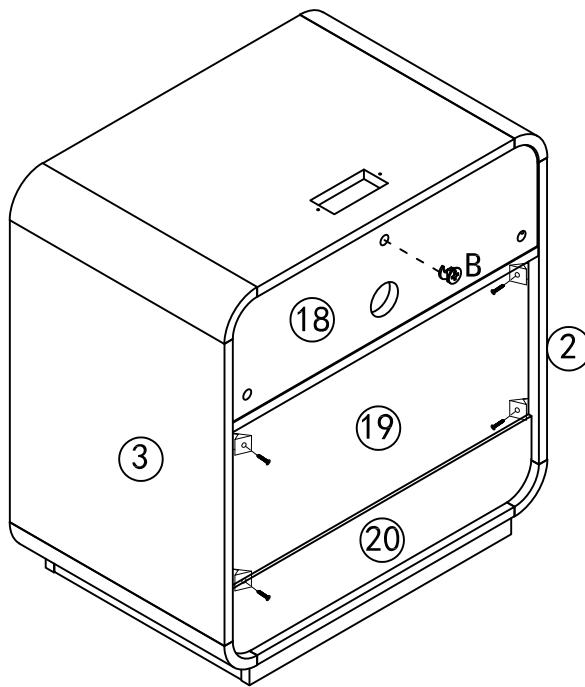
# STEP 17






	B*8PCS
---	--------

X2

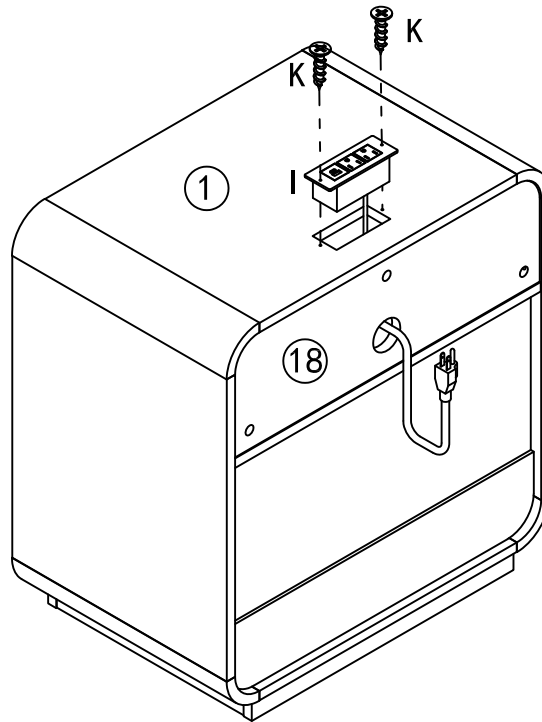
# STEP 18



	B*2PCS		G*8PCS		H*8PCS
---	--------	---	--------	---	--------

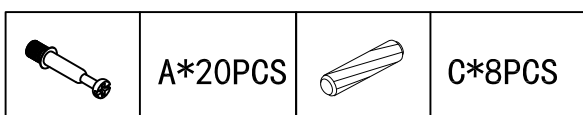
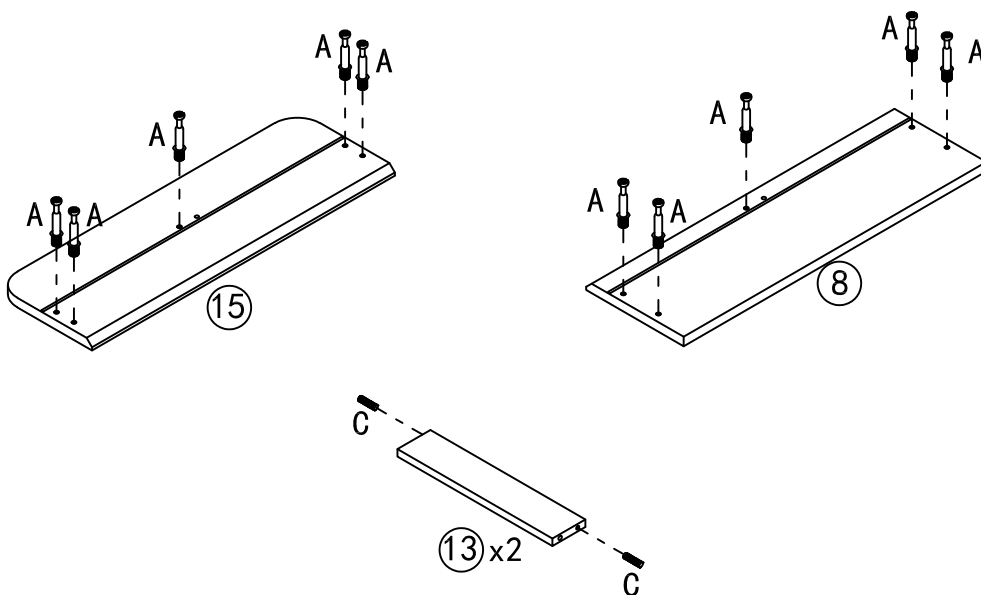
X2

# STEP 19



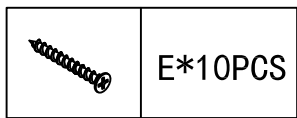
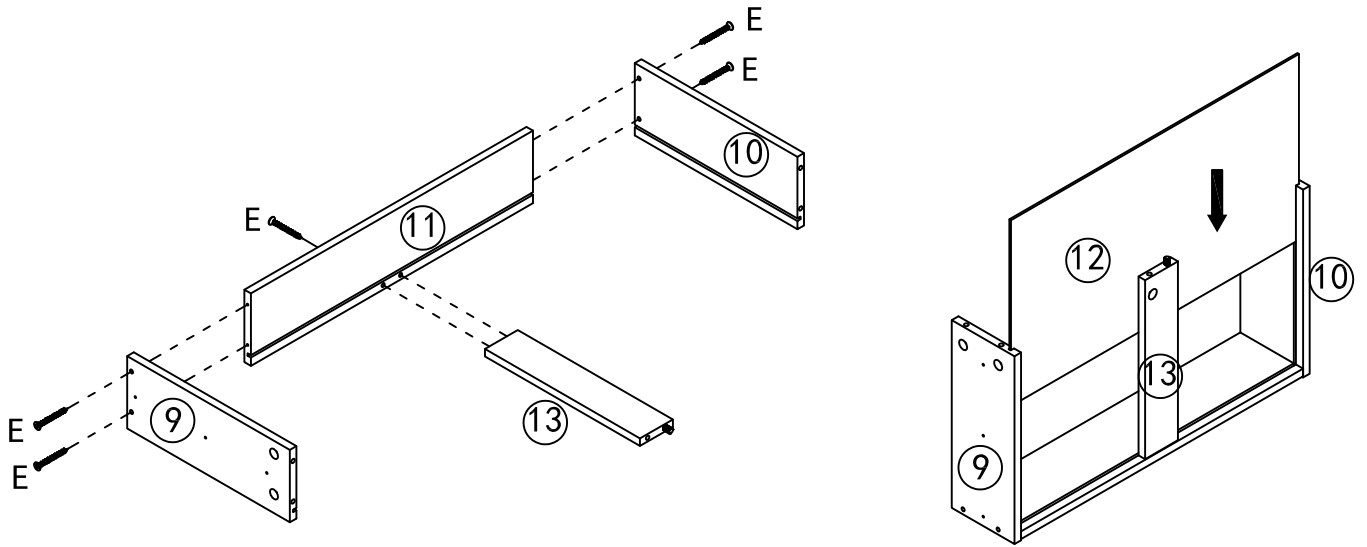
X2

# STEP 20



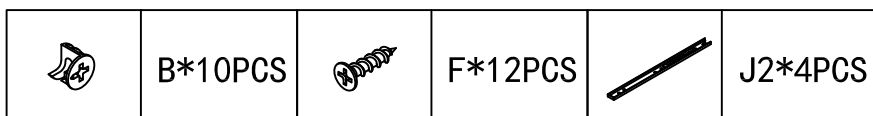
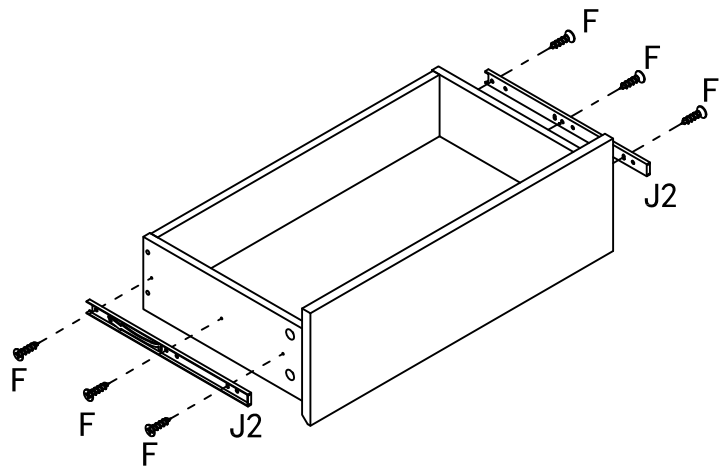
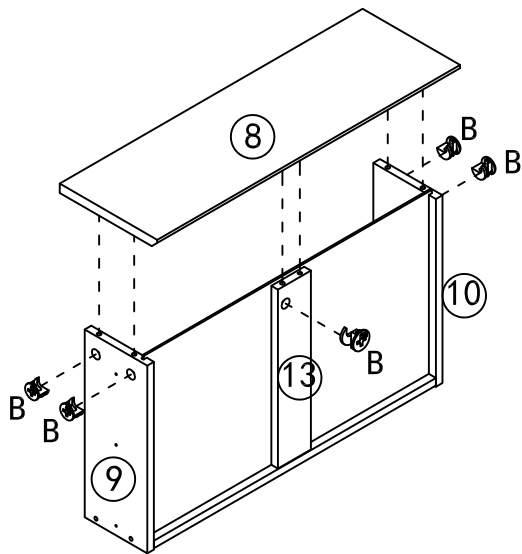
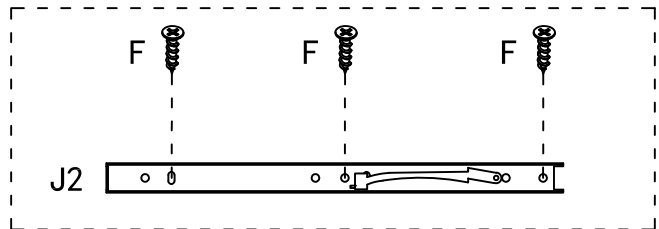
X2

# STEP 21



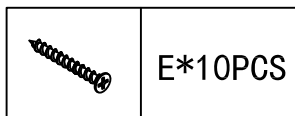
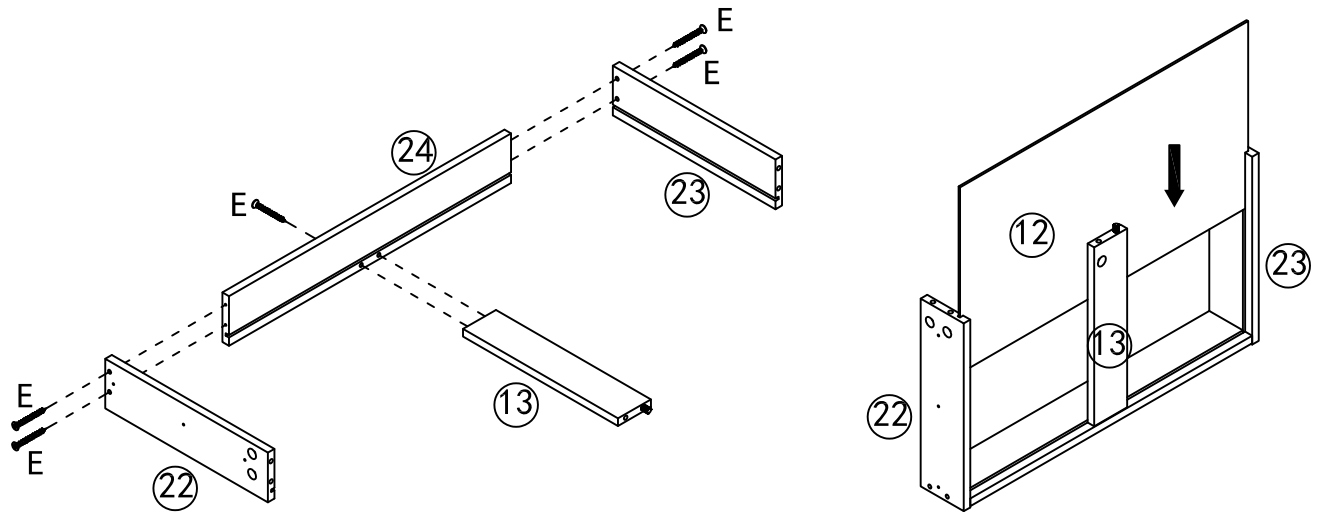
X2

# STEP 22



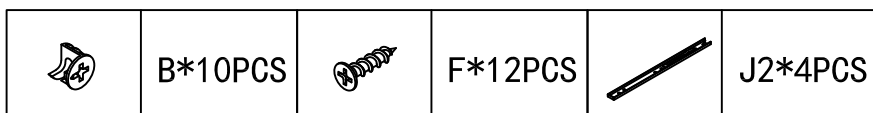
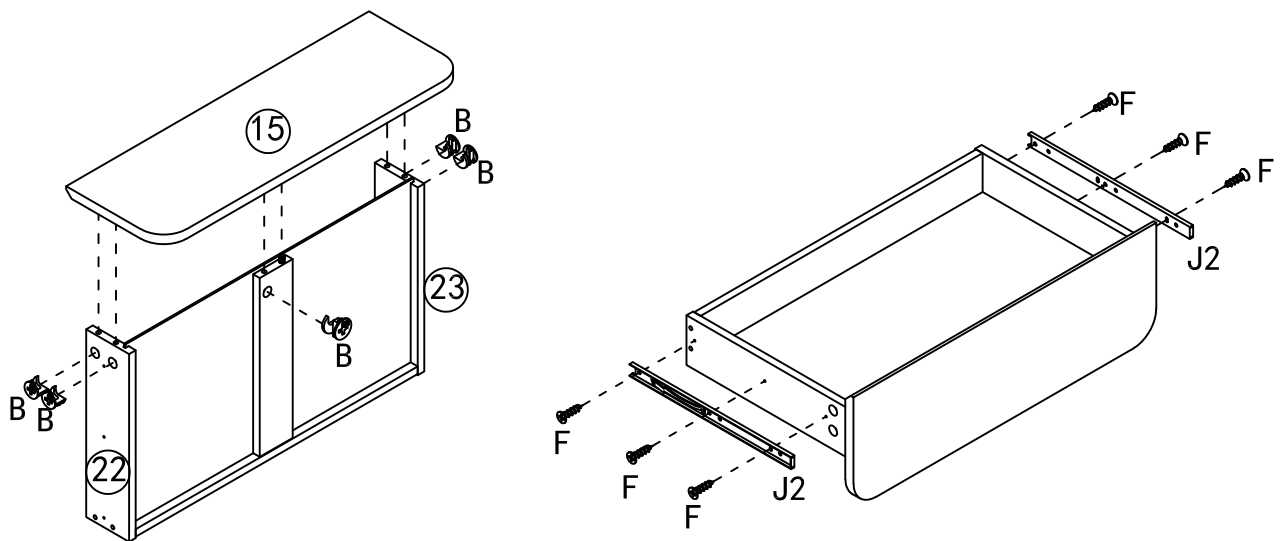
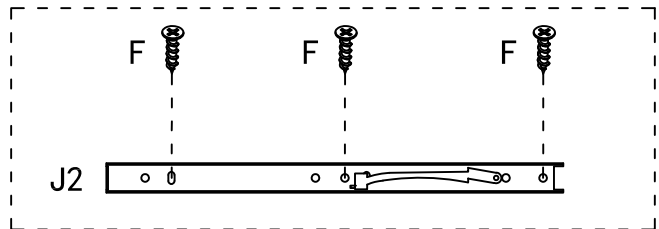
X2

# STEP 23



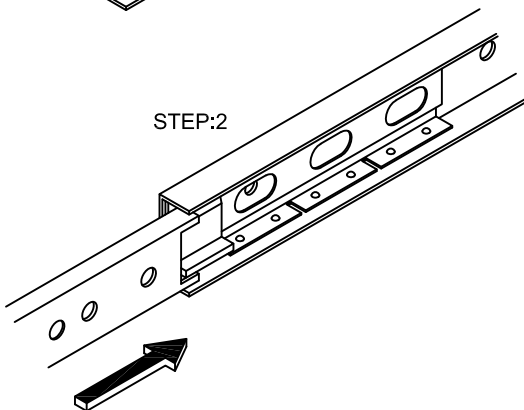
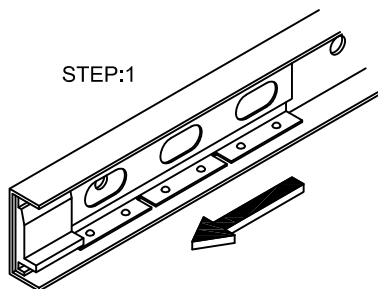
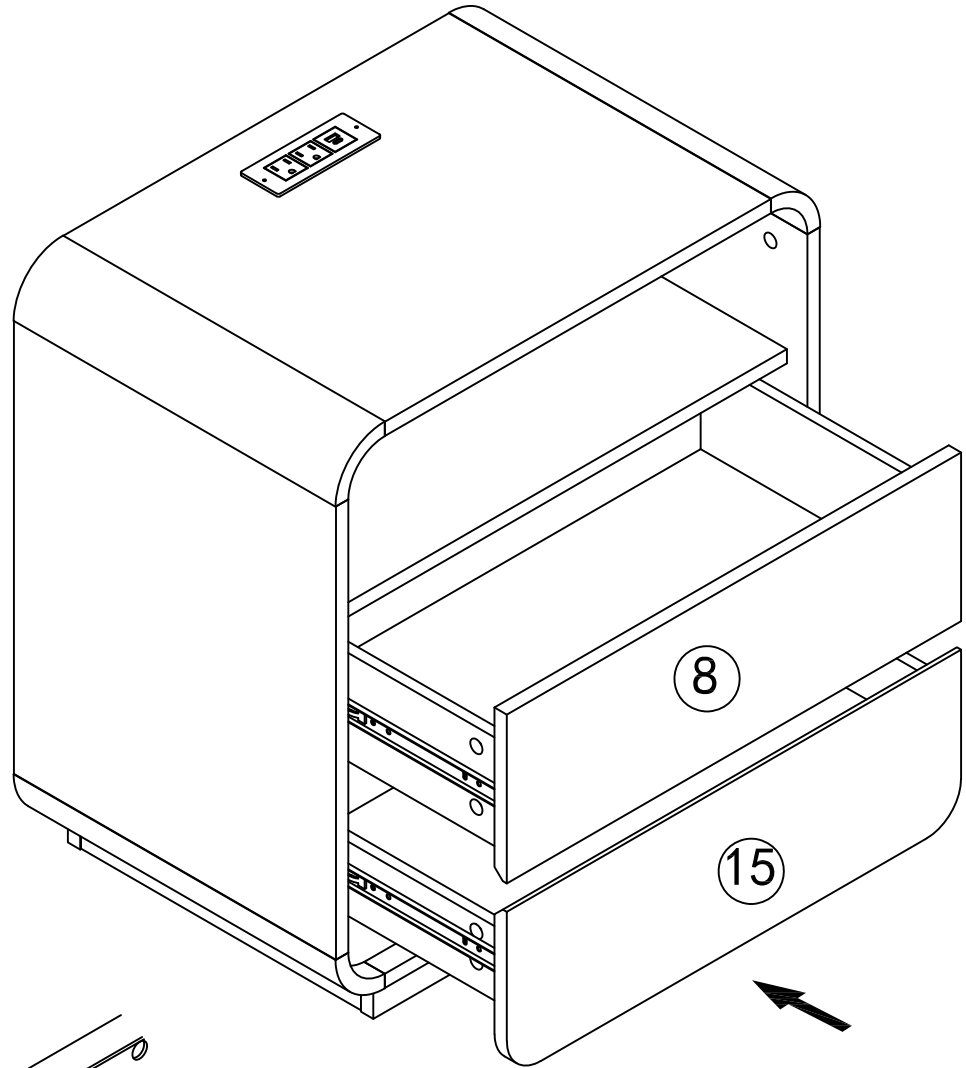
X2

# STEP 24



X2

# STEP 25



X2