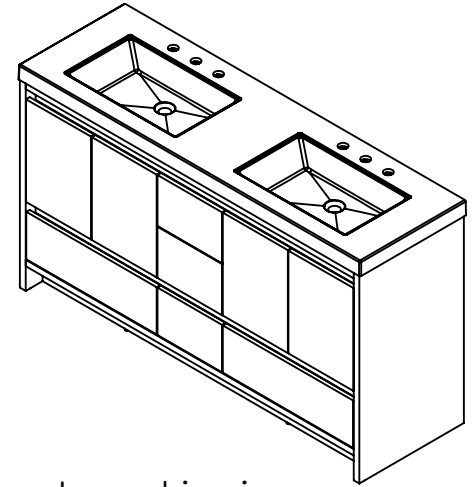
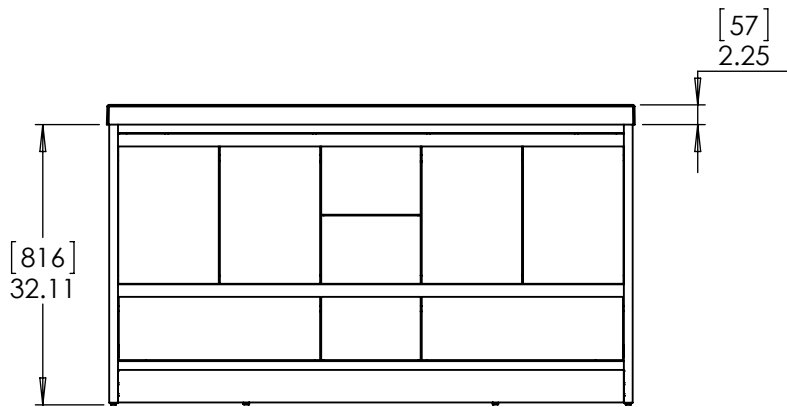


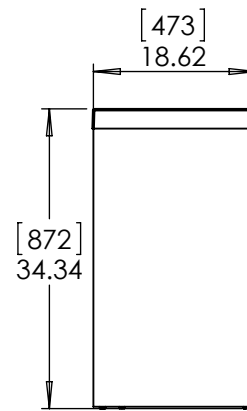
Top view



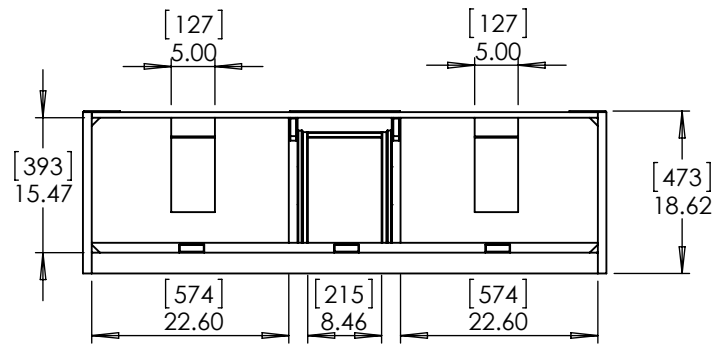
Isometric view



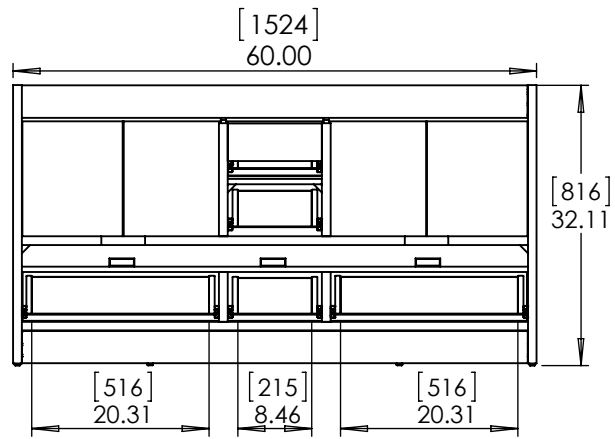
Front view



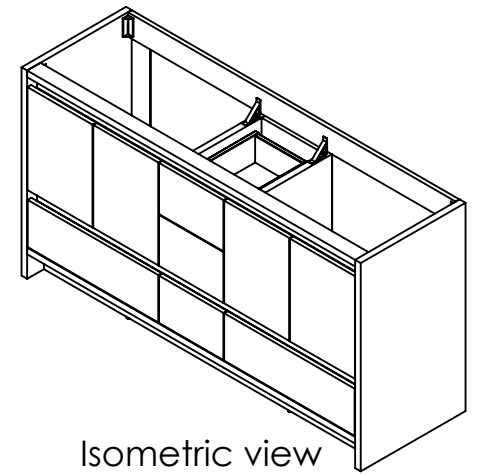
Side view



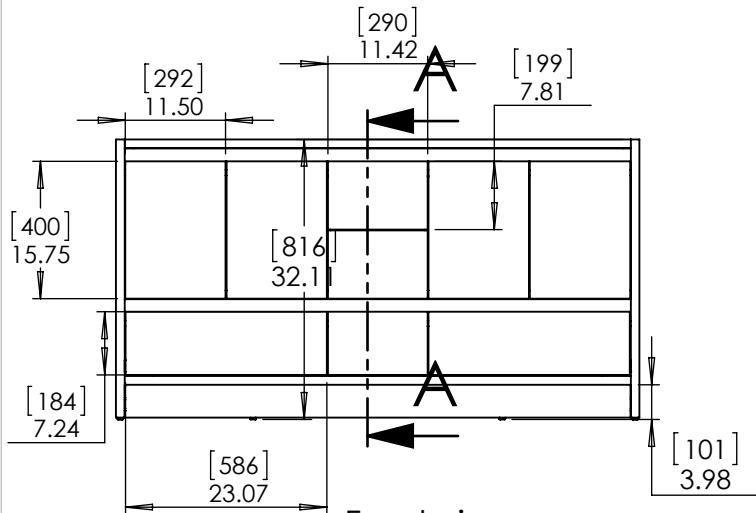
Top view



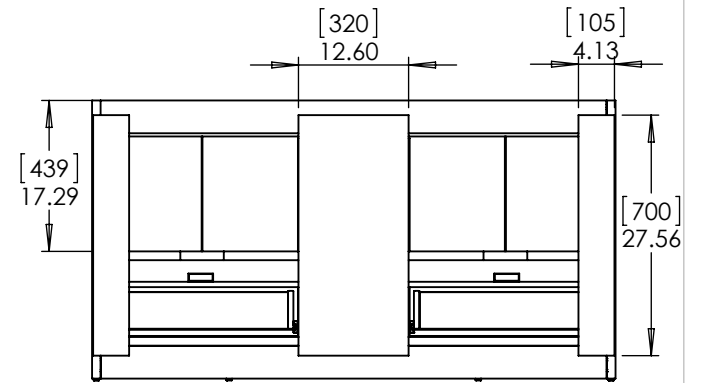
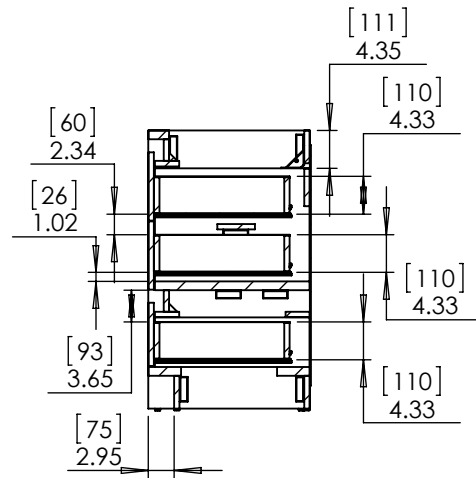
Back view
without backing



Isometric view



Front view



Back view with backing

