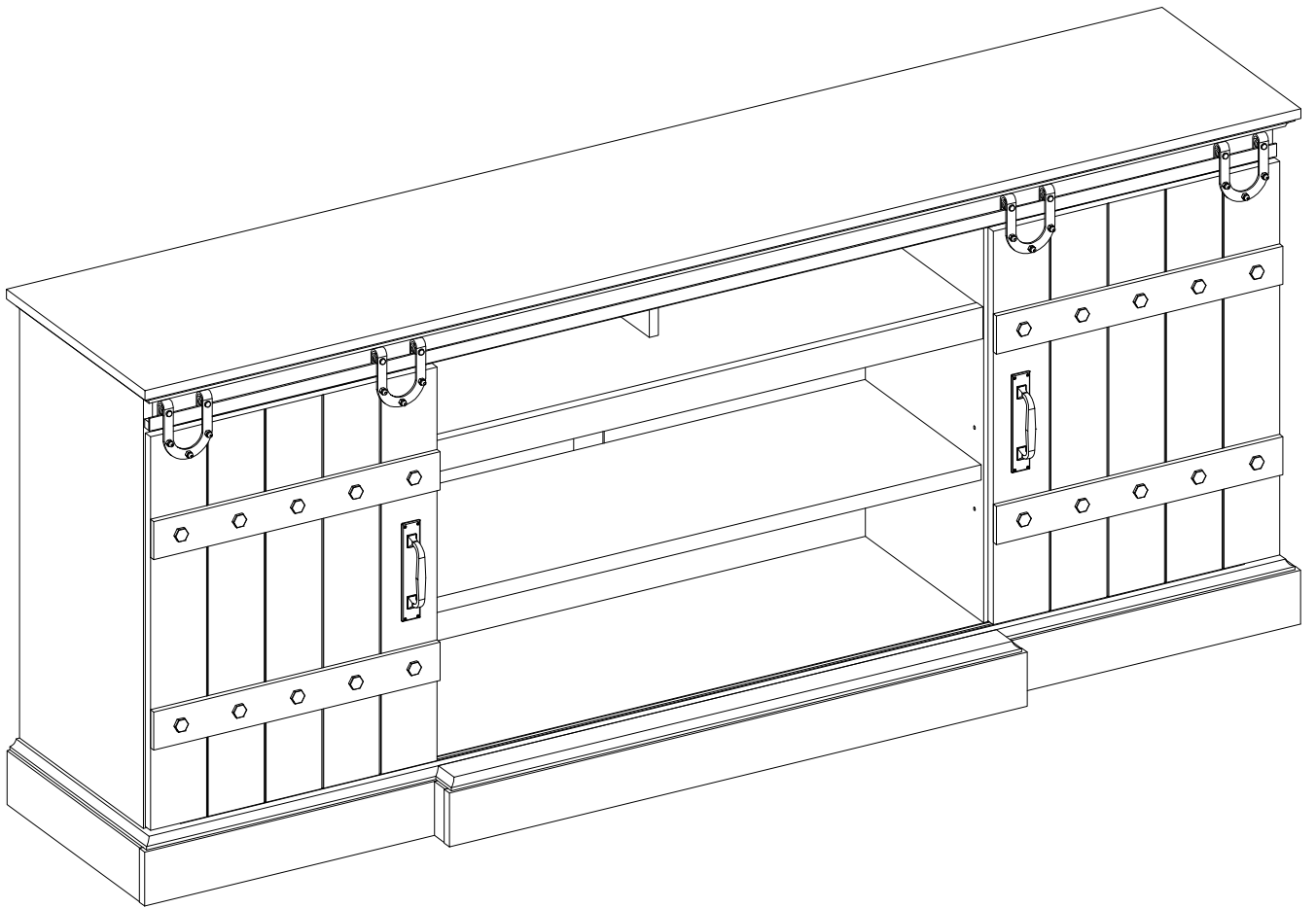
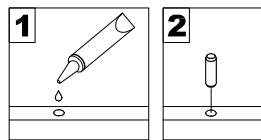


Assembly Instructions

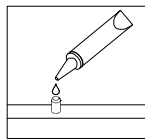


General Assembly Guidelines

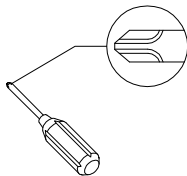
- I. Ensure that all parts and hardware are available before beginning assembly.
- II. Follow each step carefully to ensure the proper assembly of this product.
- III. Two people are recommended for ease in the assembly of this product.
- IV. The three main types of hardware used to assemble this product are : wood dowels , screws and bolts.
- V. The provided glue is to secure wood dowels in place . When first inserting dowels , locate the appropriate hole for the dowel , place a small amount of glue in the hole and insert the dowel . Wipe away excess glue immediately.



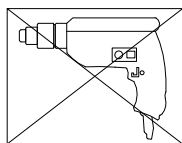
In future assembly steps when dowels are necessary to attach assembly parts together , place a small amount of glue on the end of the dowel before attaching parts together . Wipe away excess glue immediately.



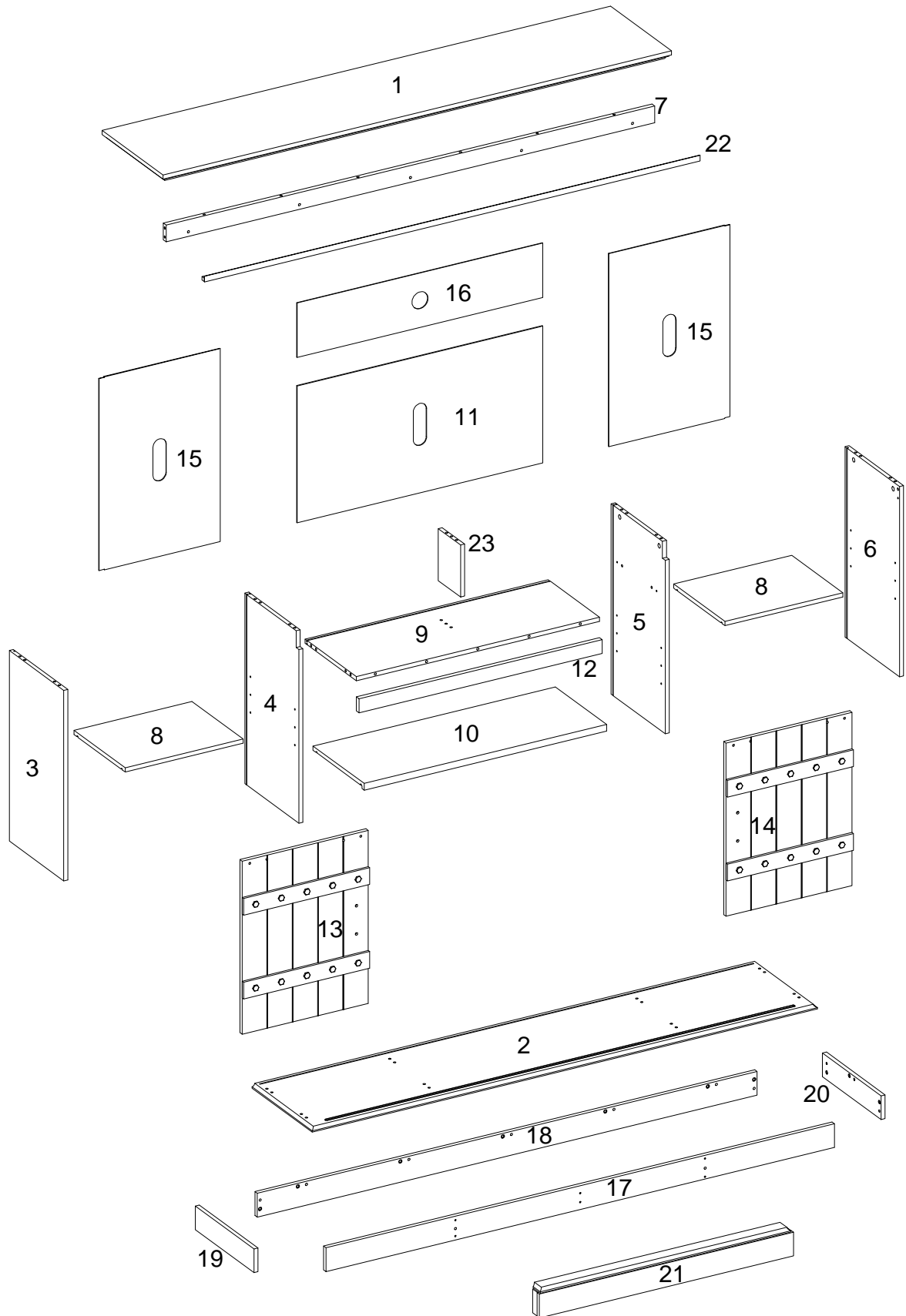
- VI. A Phillips head screwdriver is required for the assembly of this product .




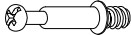


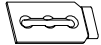


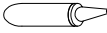
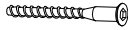
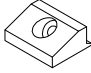




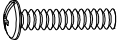
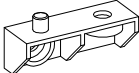
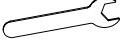

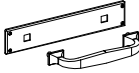

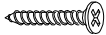
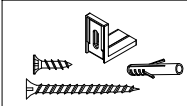
- VII. Power tools should not be used to assemble this product .

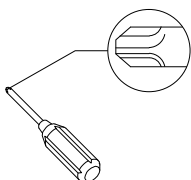


Parts List



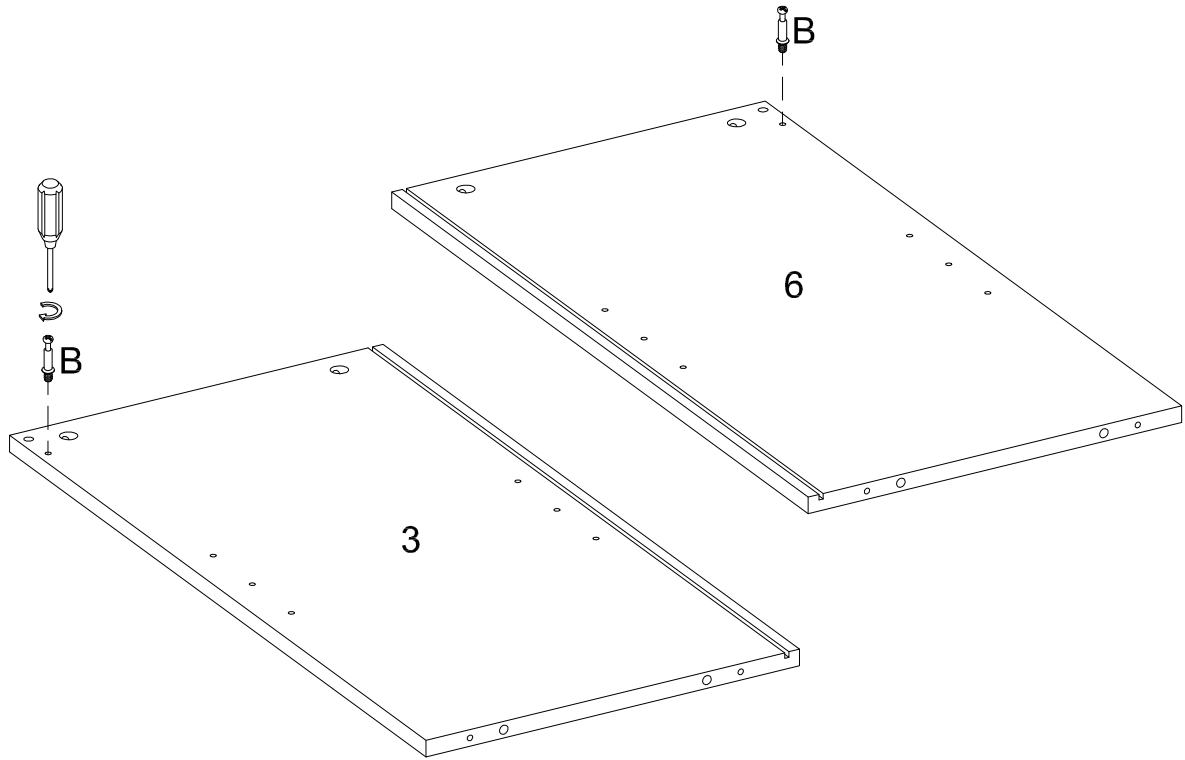
Hardware List

A		Ø8x30mm	Long dowel	30 pcs
B		Ø6x35mm	Cam bolt	23 pcs
C		Ø15x11mm	Cam lock	23 pcs
D			Cam cover	23 pcs
E			Plate	4 pcs
F		Ø8x5x16mm	Shelf support pin	12 pcs
G		Ø6x13mm	Bolt	32 pcs
H			Glue	1 pc
I		Ø6x50mm	Screw	10 pcs
J			Plastic Bracket	20 pcs
K		Ø3x17mm	Flat-head screw	20 pcs
L		M 4	Allen Wrench	1 pc
M			Pulley	4 pcs
N			Nut	8 pcs
O		Ø6x25mm	Bolt	13 pcs
P			Connector	16 pcs
Q			Spanner Wrench	1 pc
R		Ø4x16mm	Handle bolt	4 pcs
S			Handle	2 pcs
T		Ø4x12mm	Screw	8 pcs
U		Ø4x38mm	Screw	6 pcs
V			Tipping Restraint Hardware	2 Sets

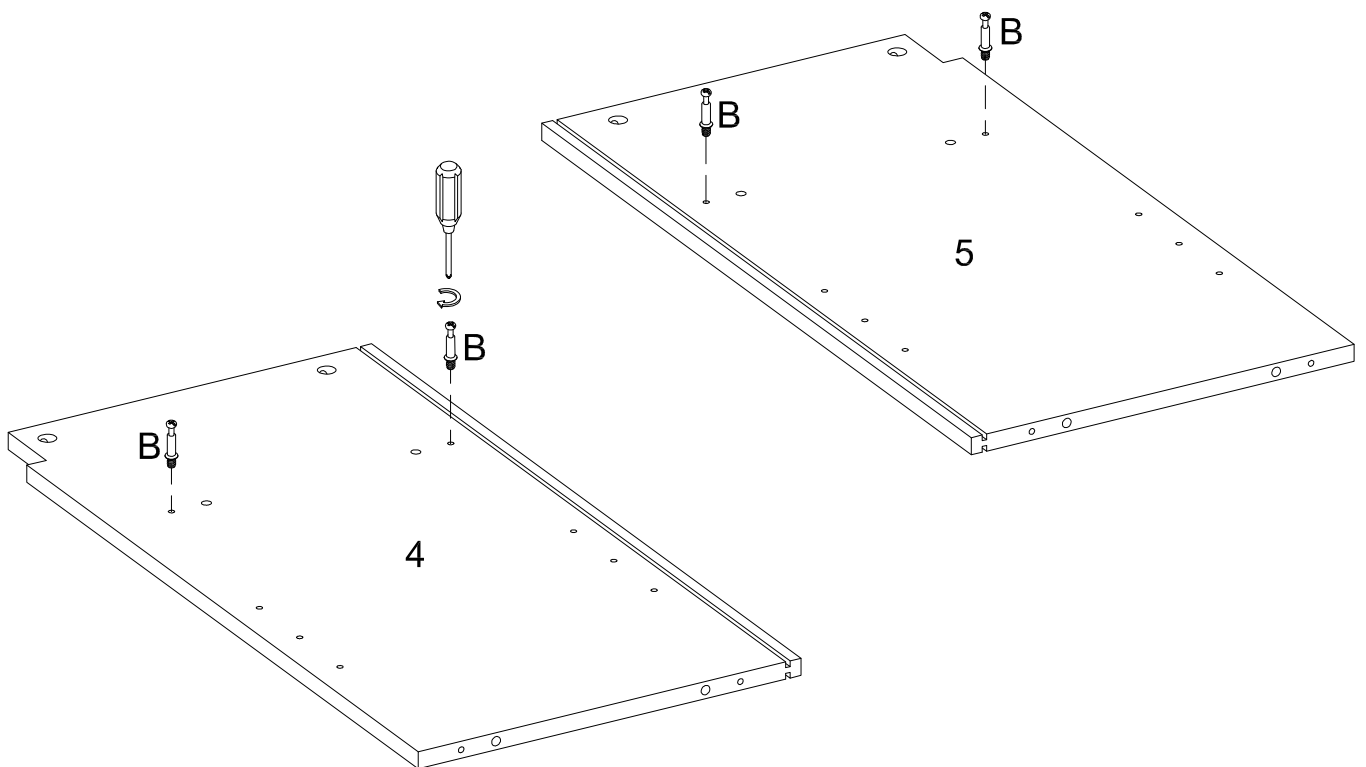


Philips head screwdriver required for assembly
(not included)

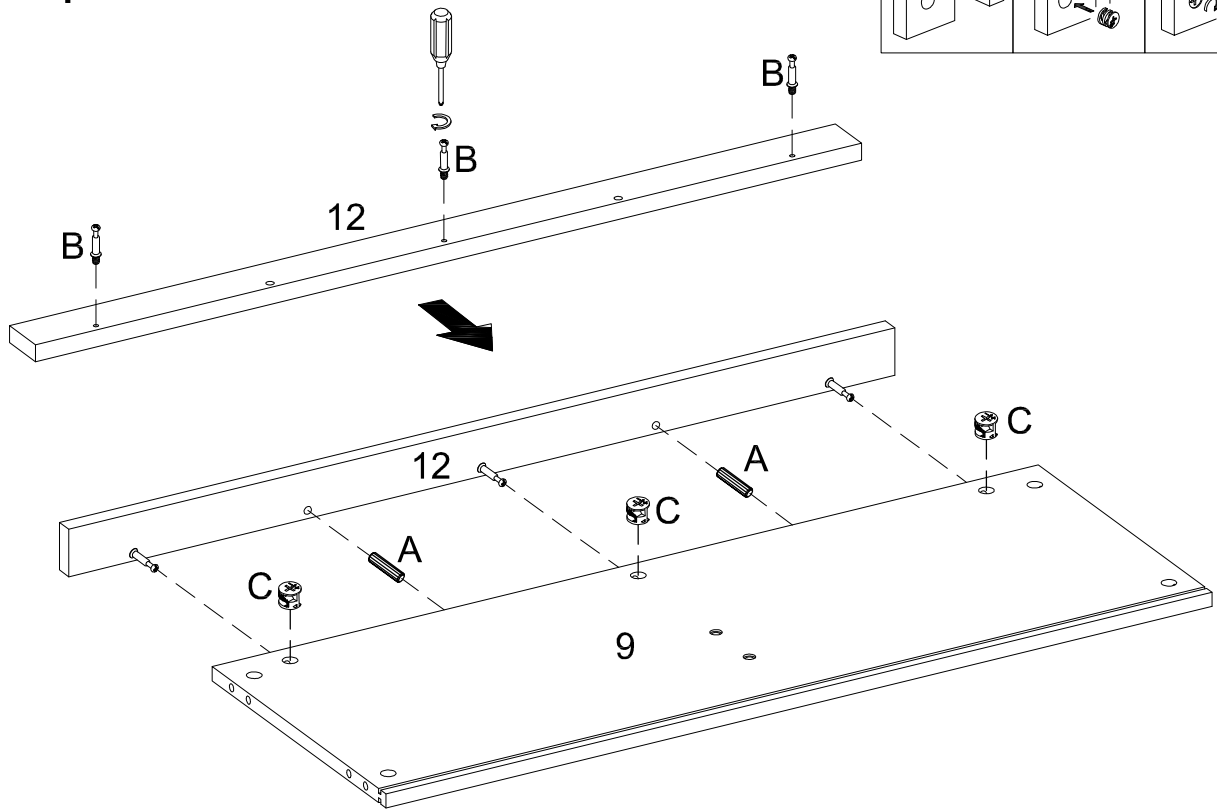
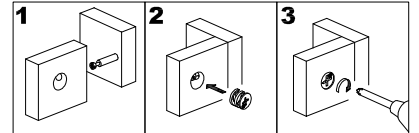
Step 1



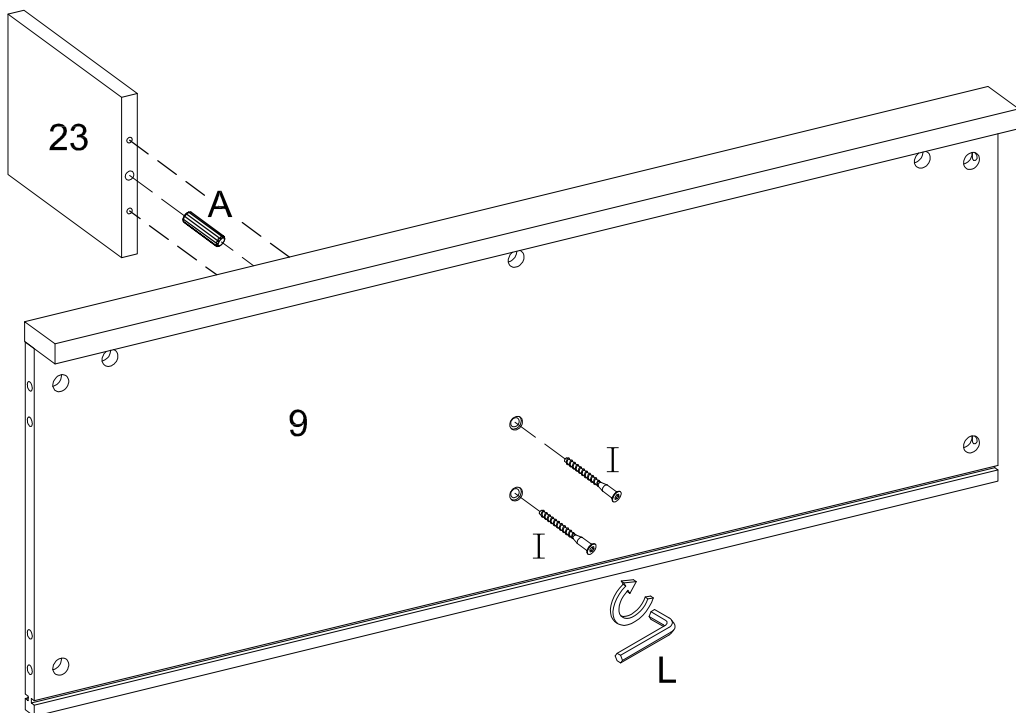
Step 2



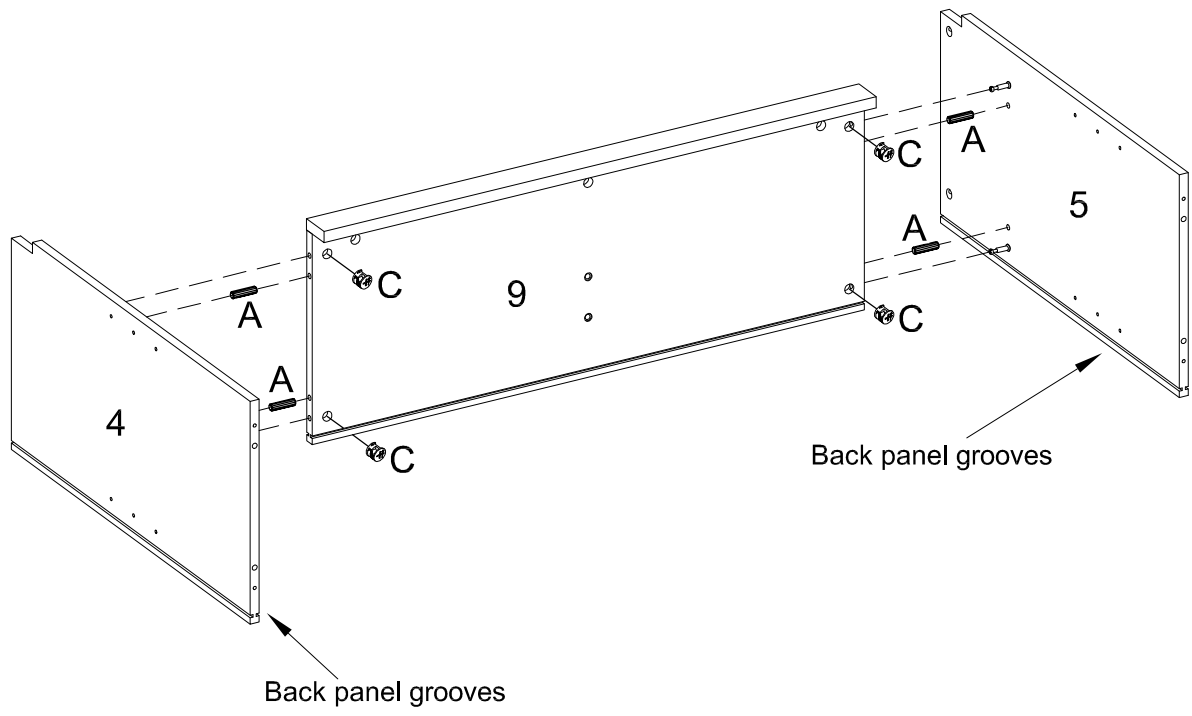
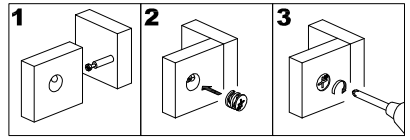
Step 3



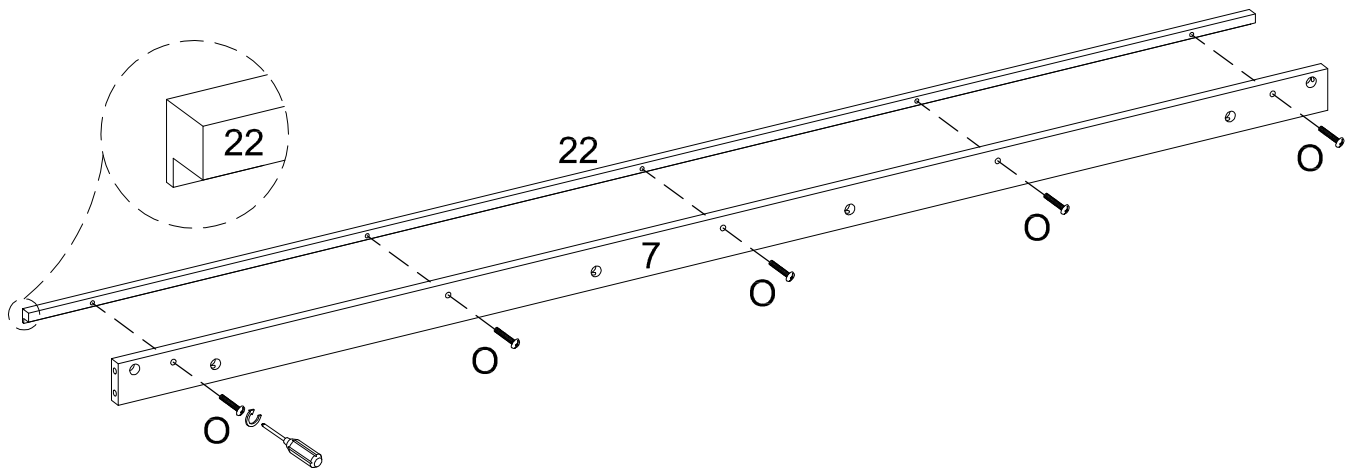
Step 4



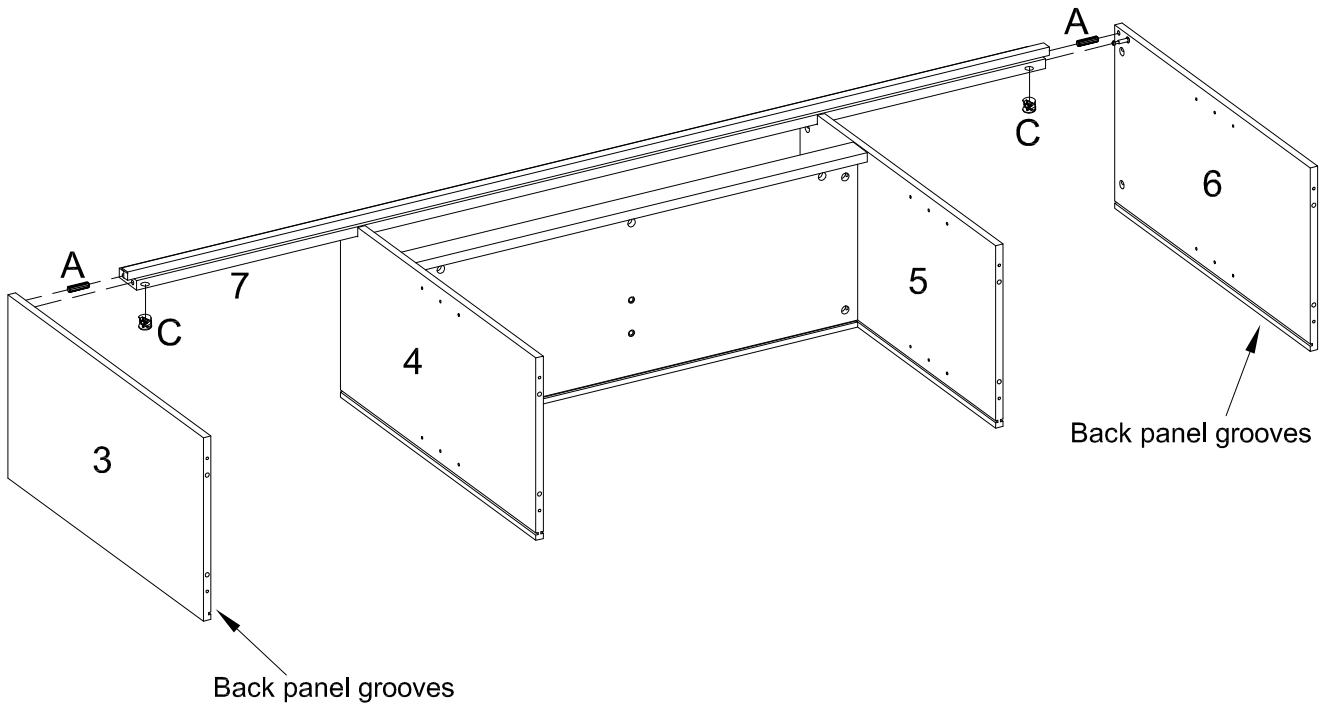
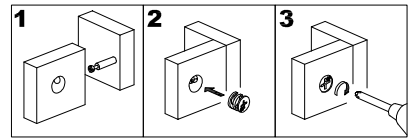
Step 5



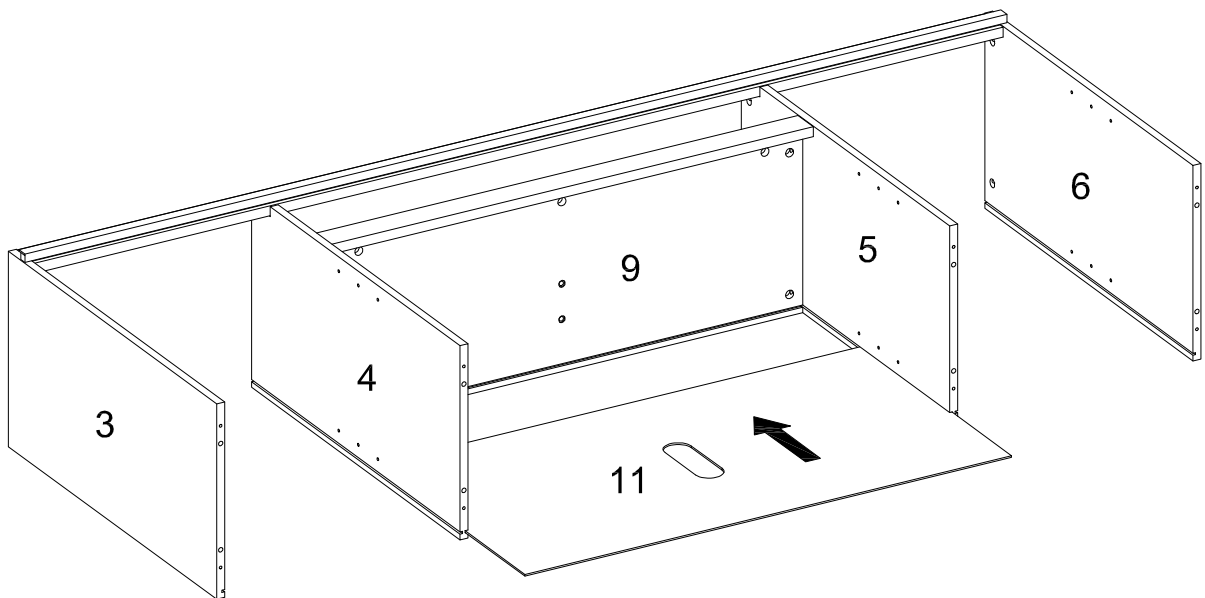
Step 6



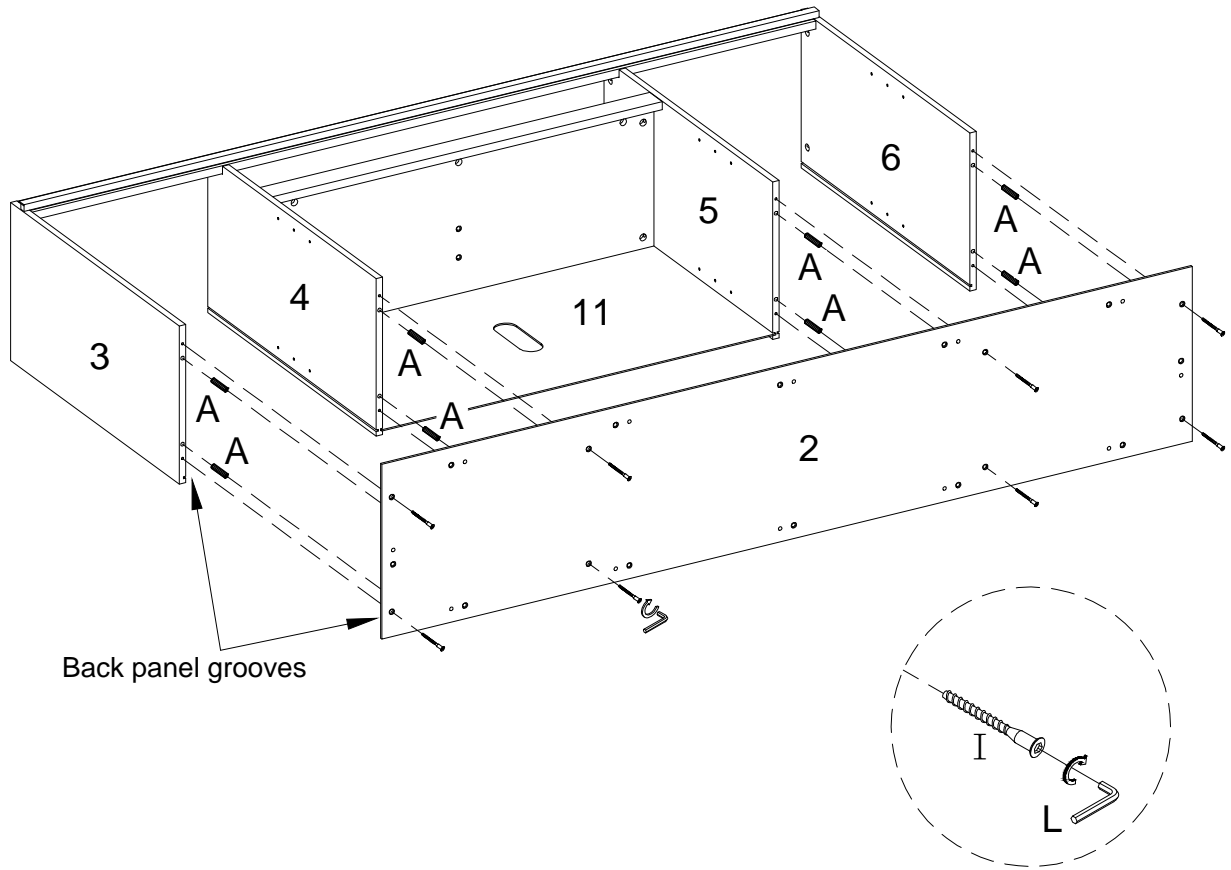
Step 7



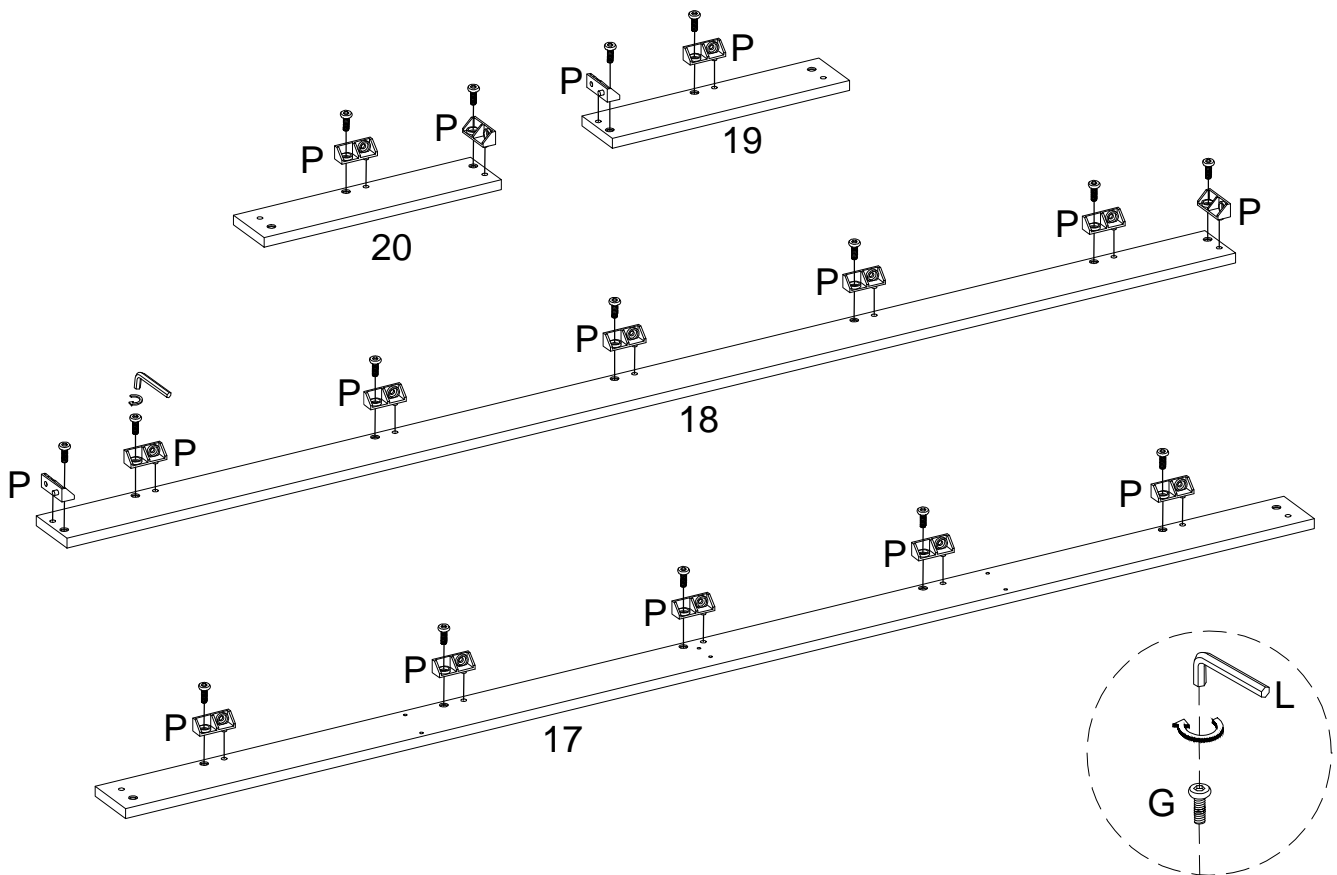
Step 8



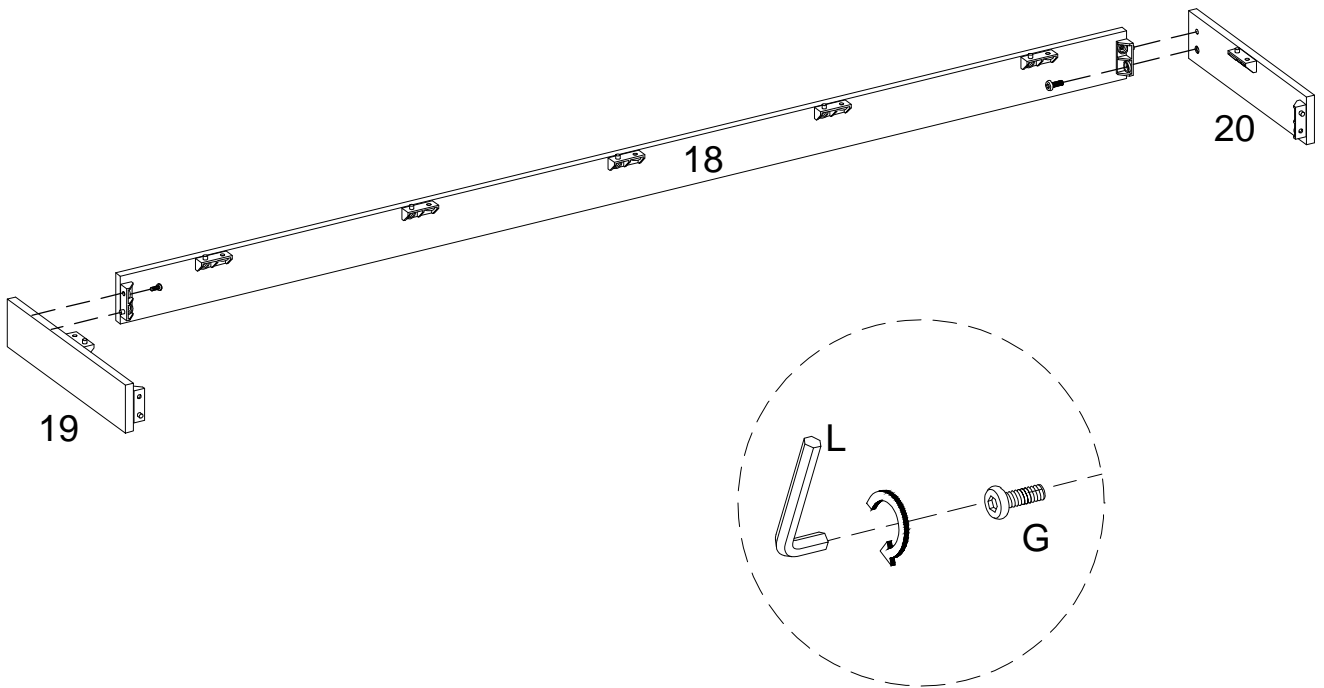
Step 9



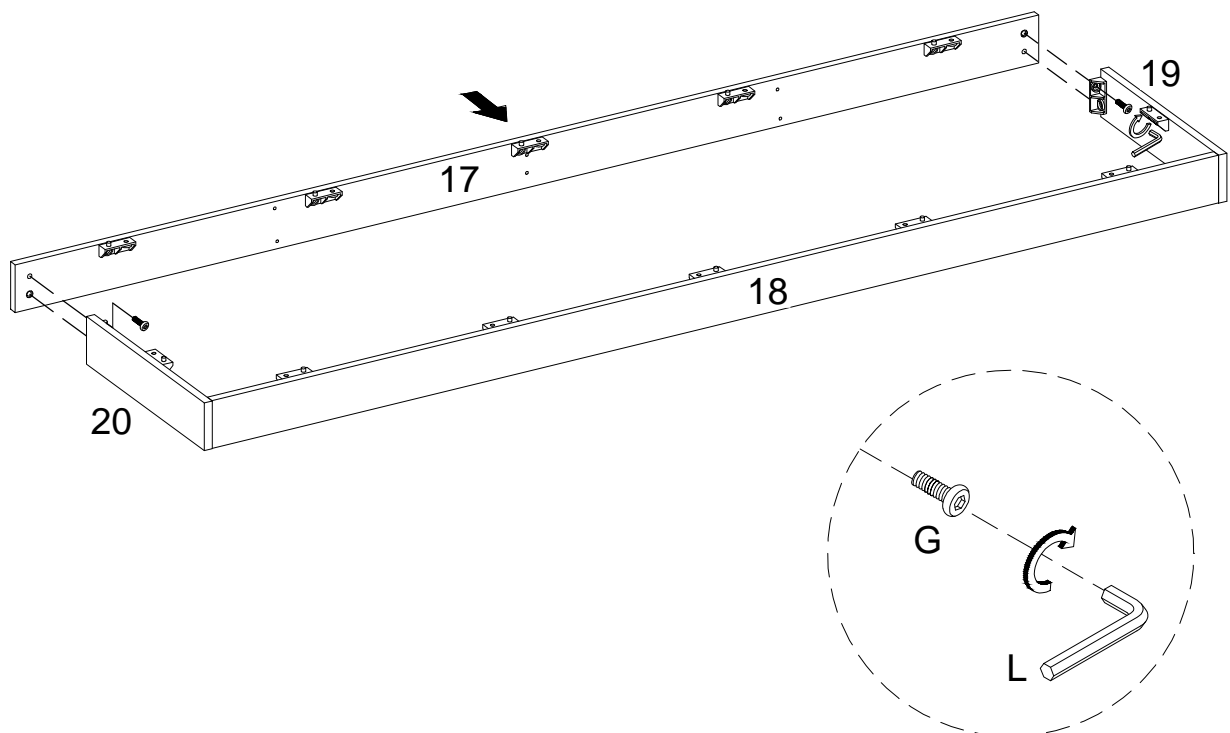
Step 10



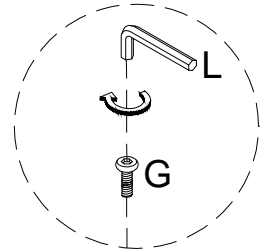
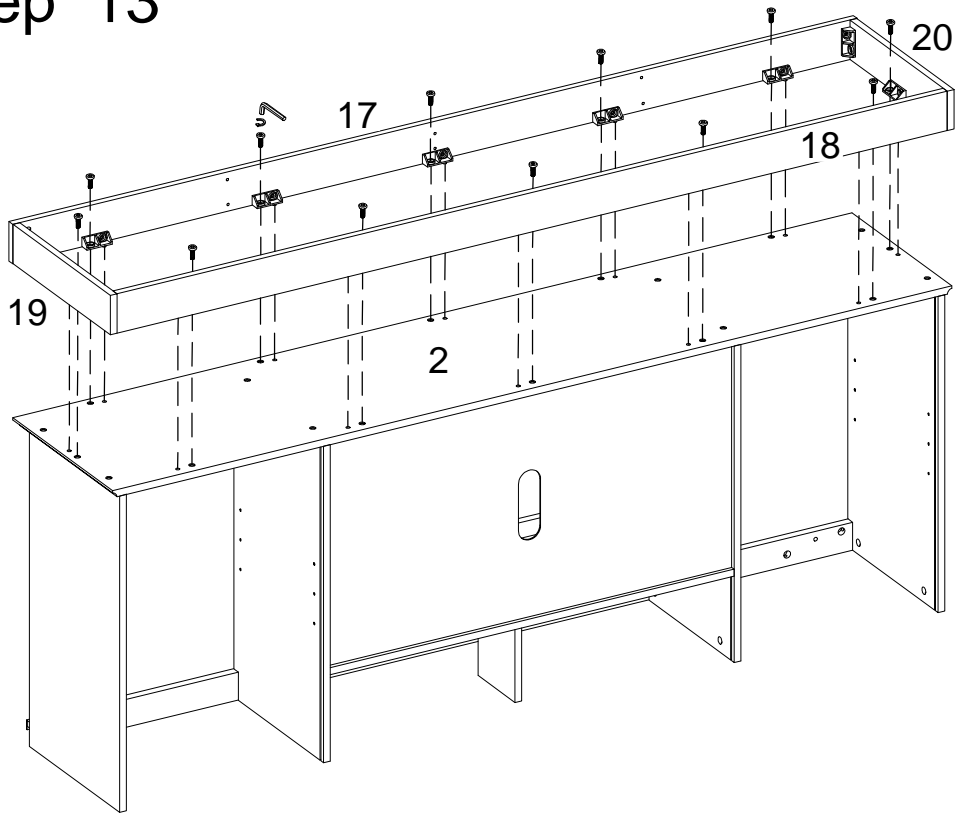
Step 11



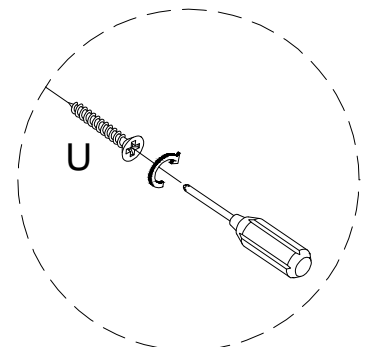
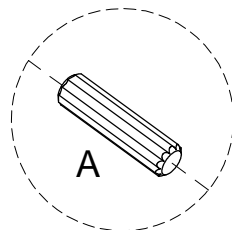
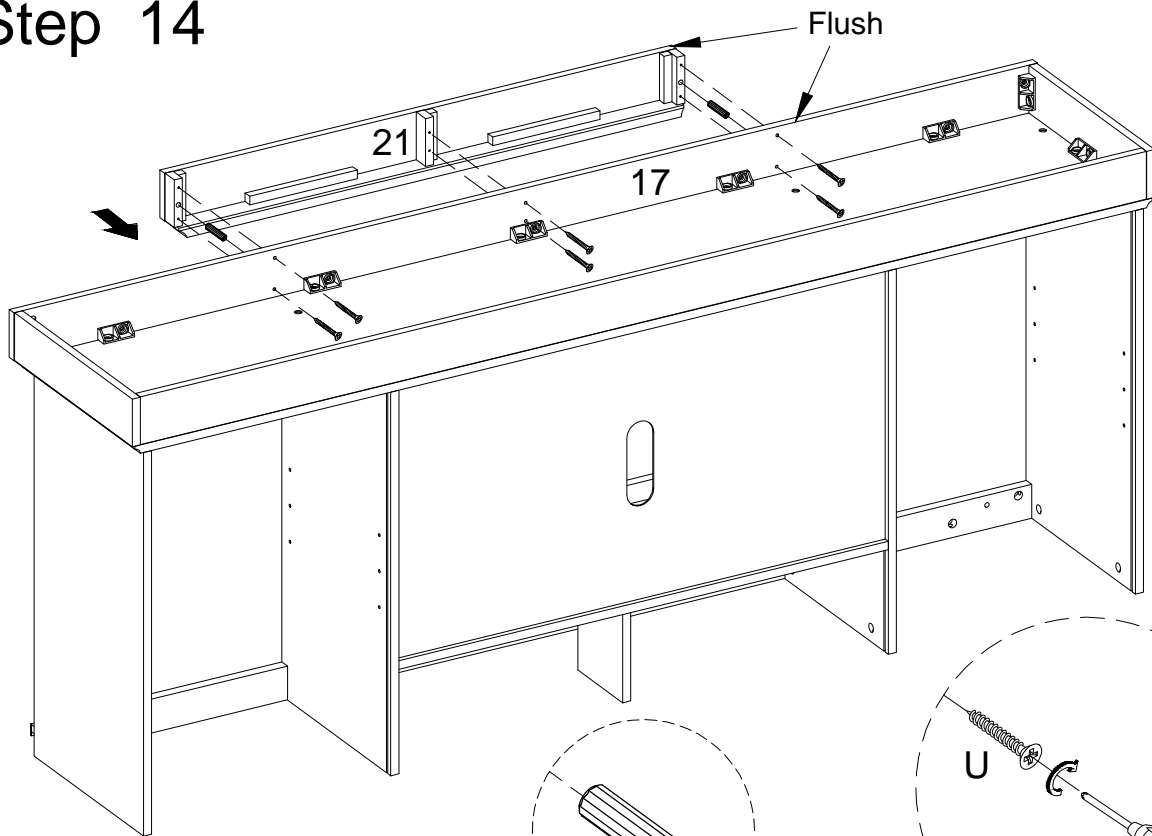
Step 12



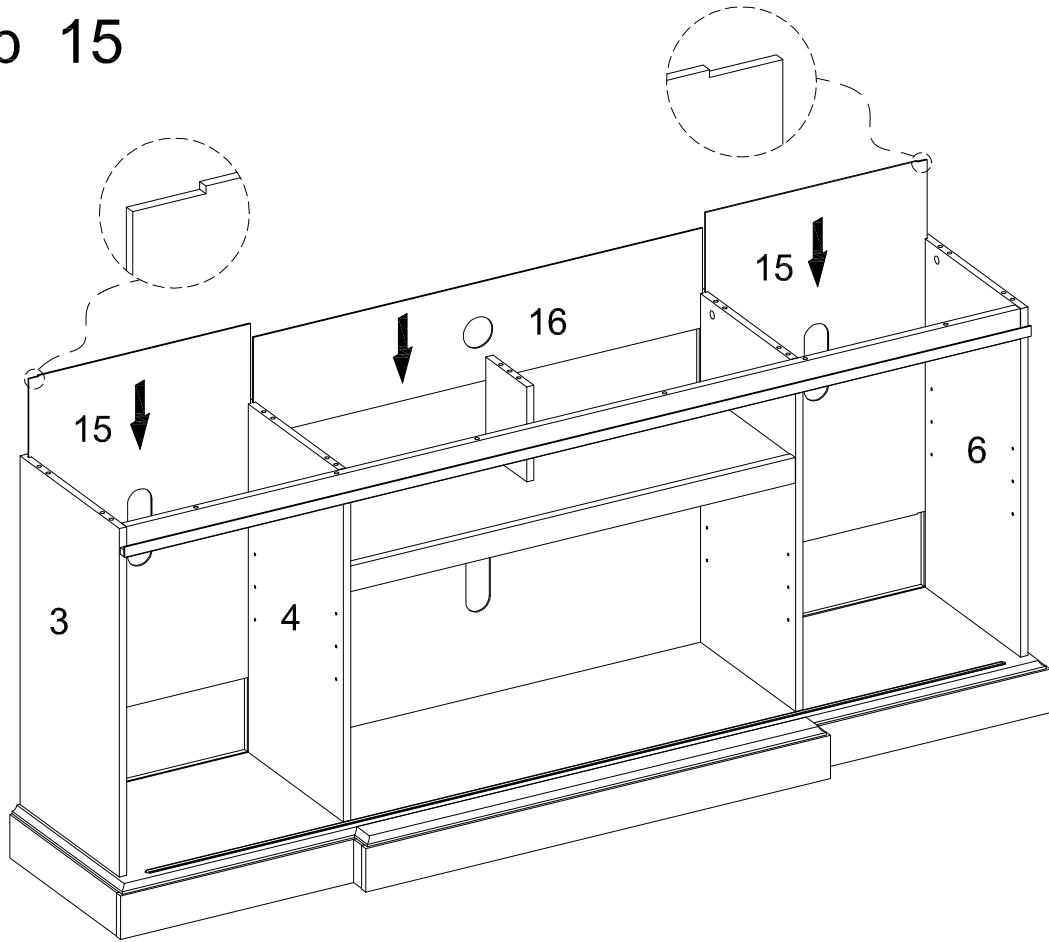
Step 13



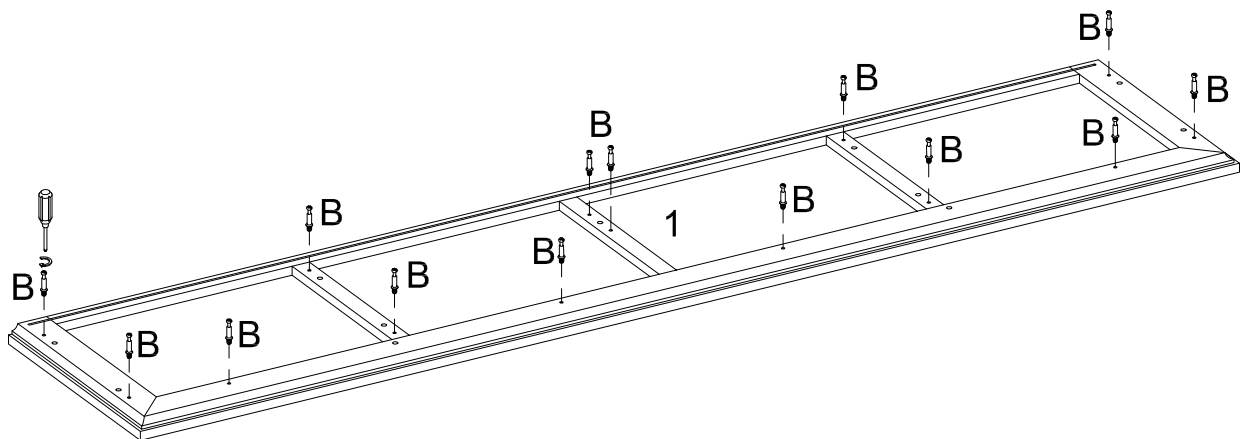
Step 14



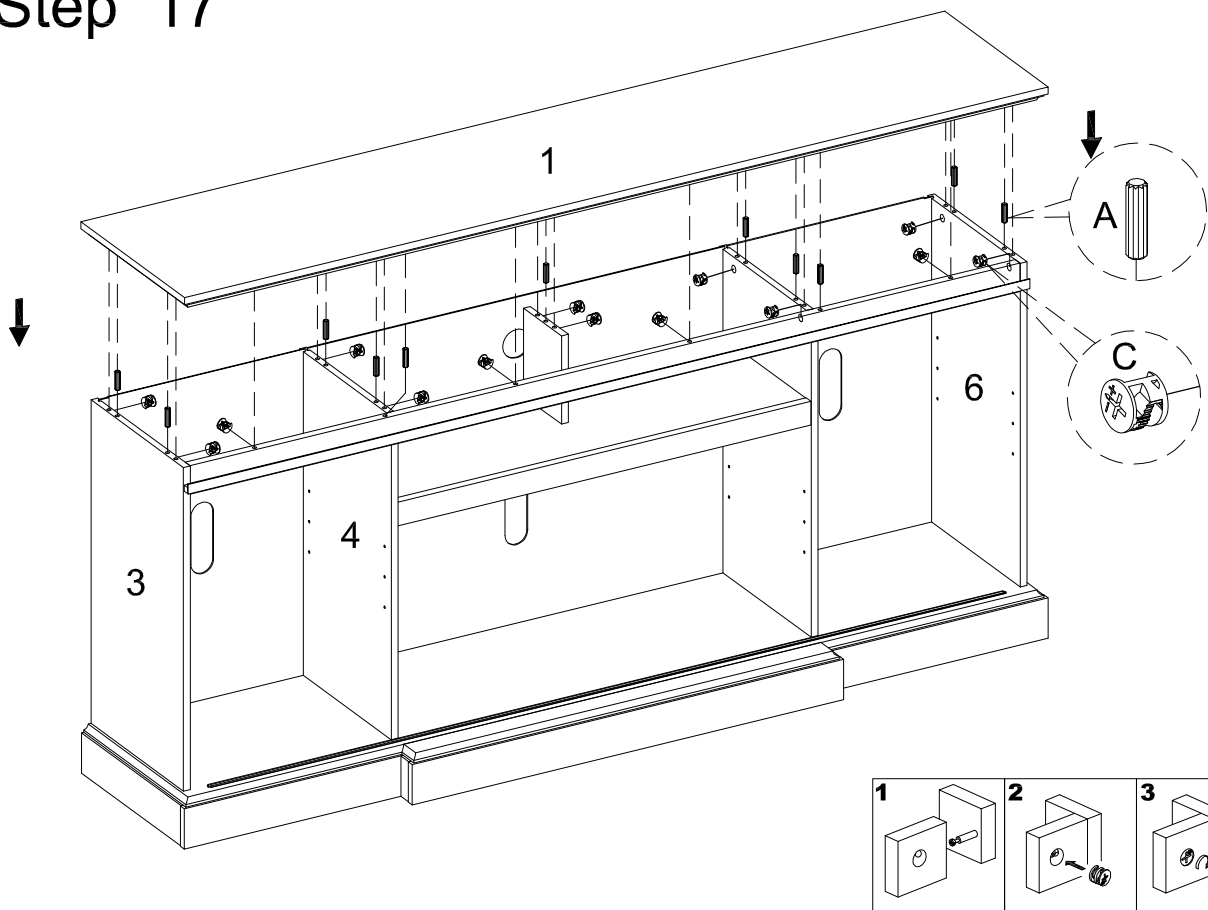
Step 15



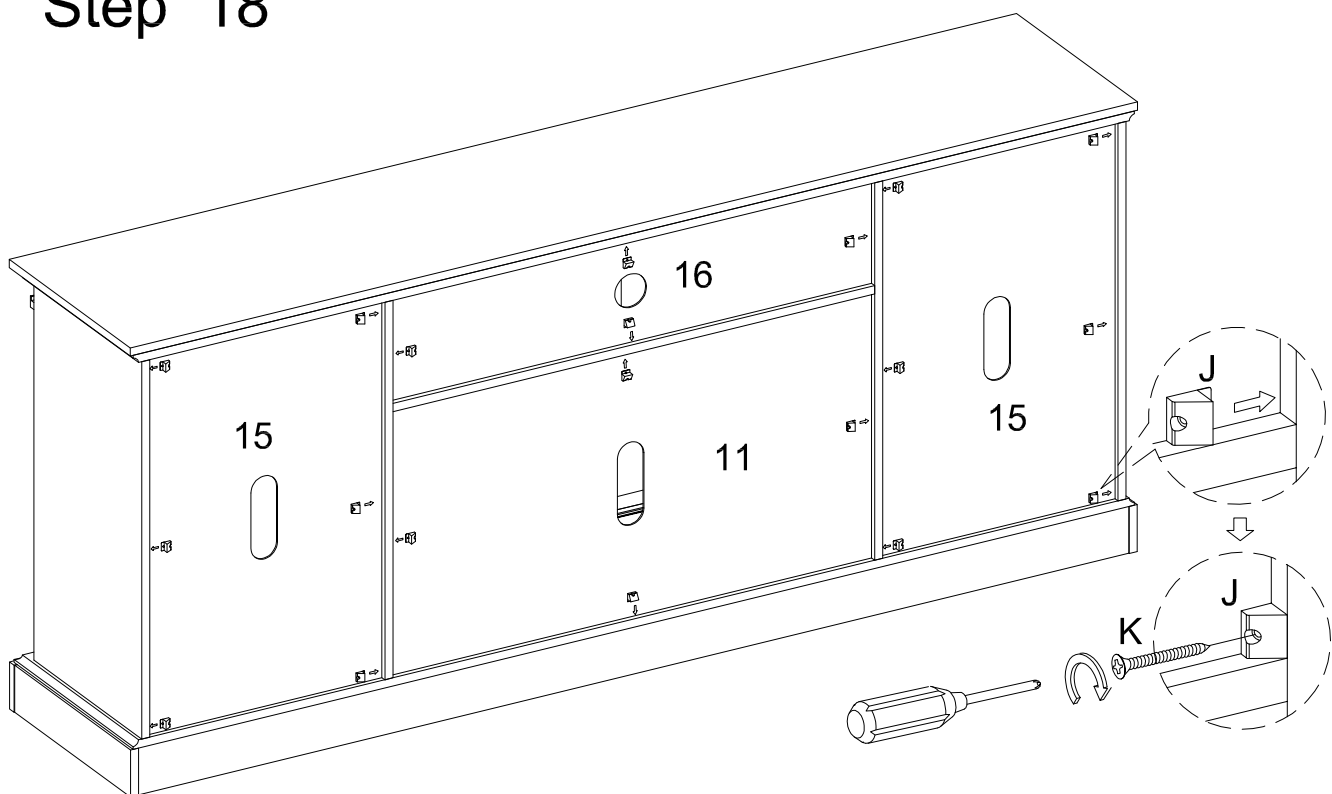
Step 16



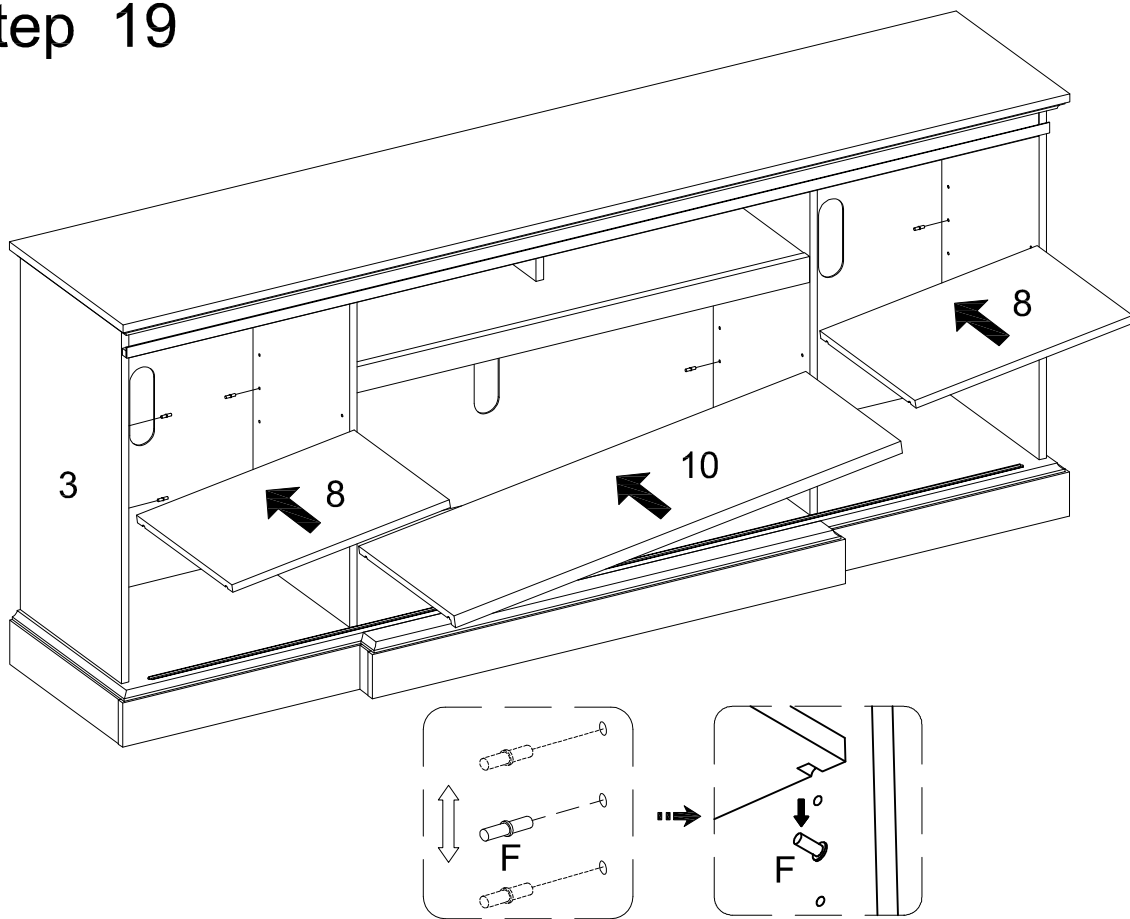
Step 17



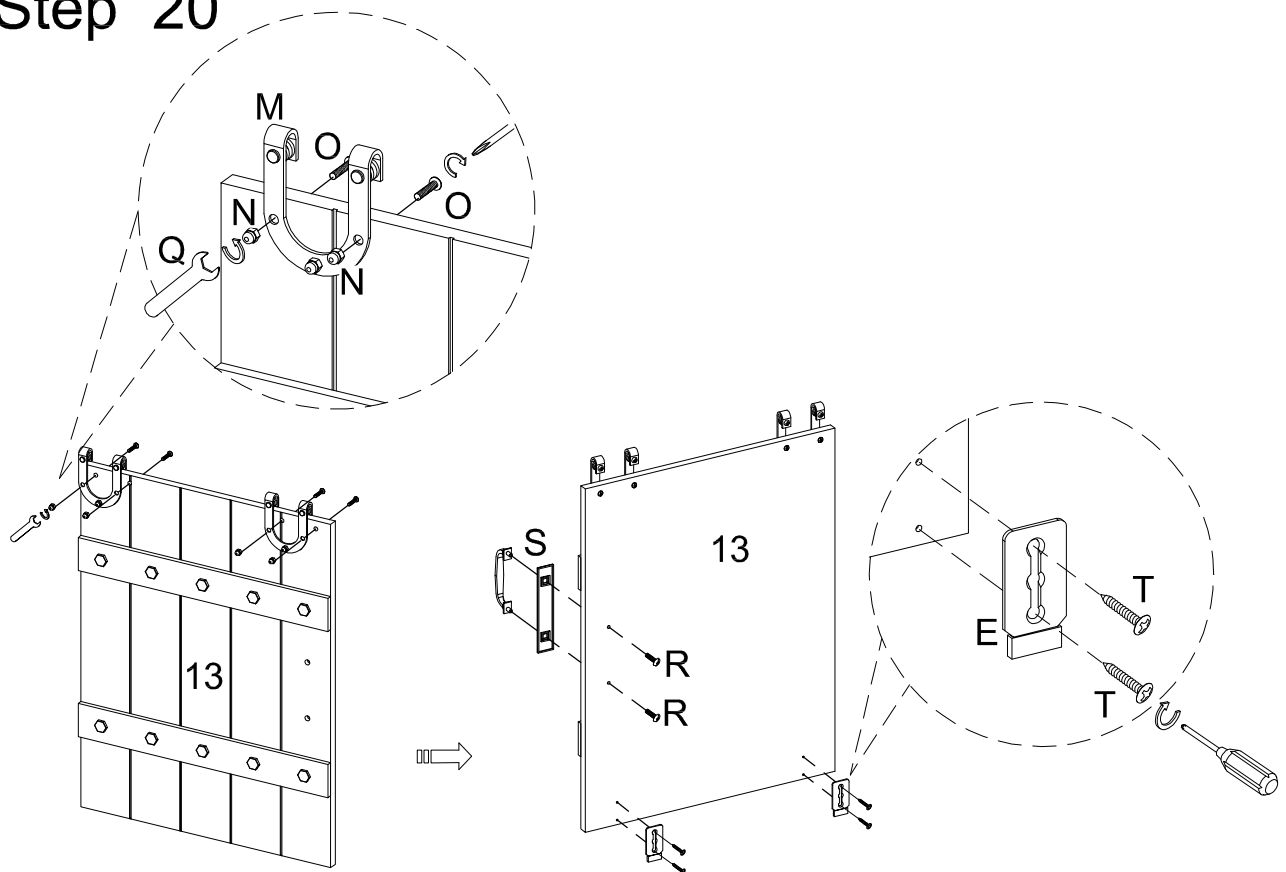
Step 18



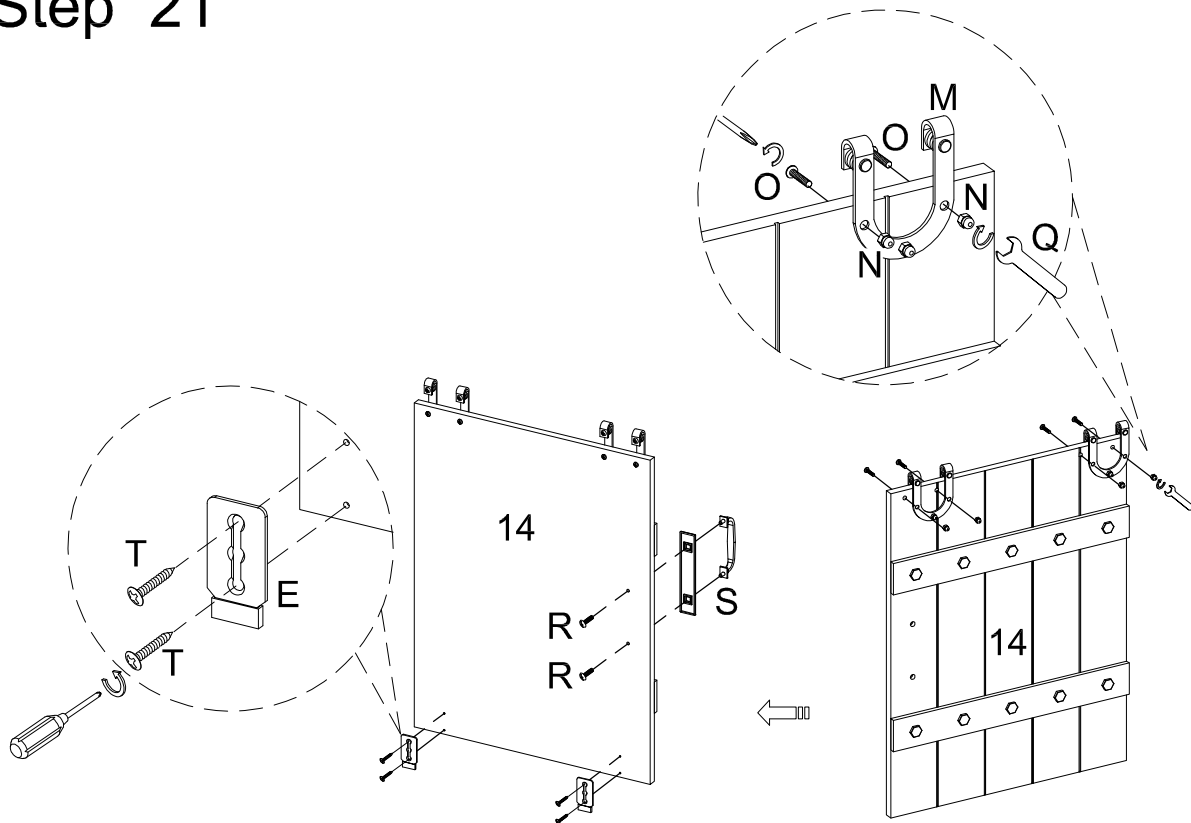
Step 19



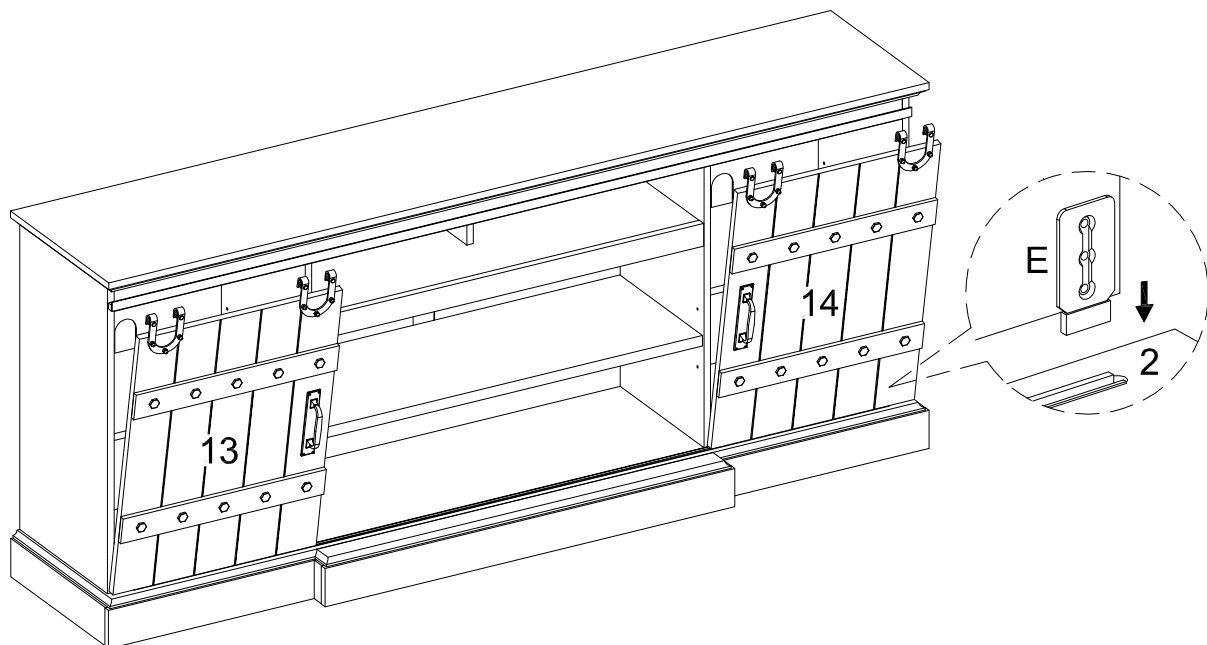
Step 20



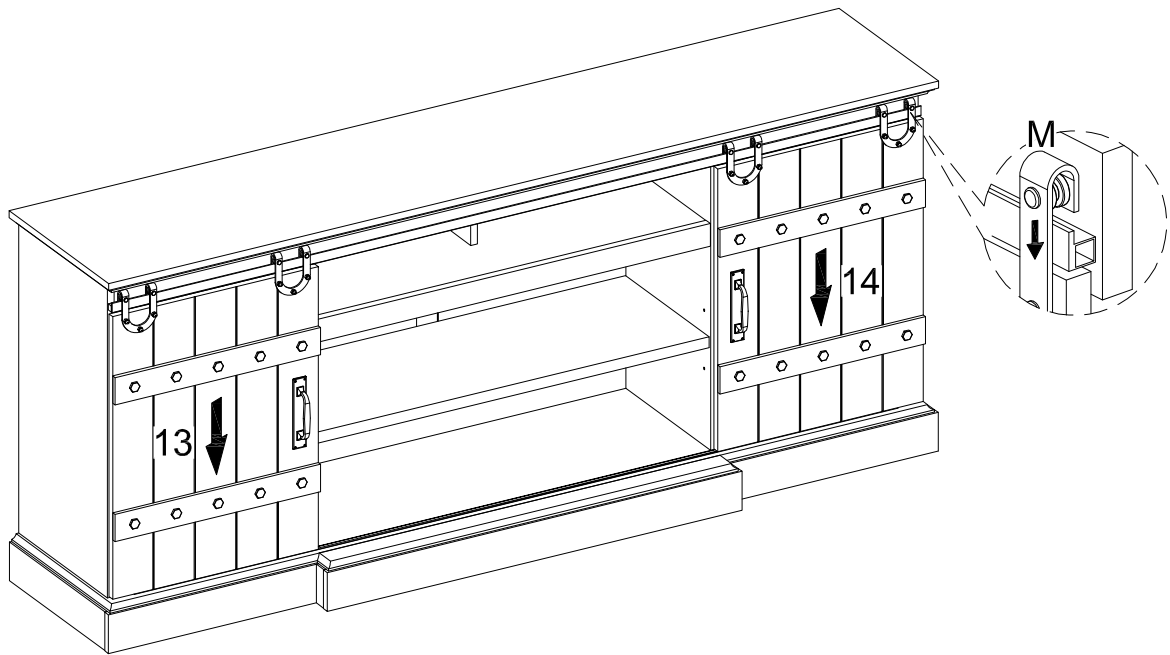
Step 21



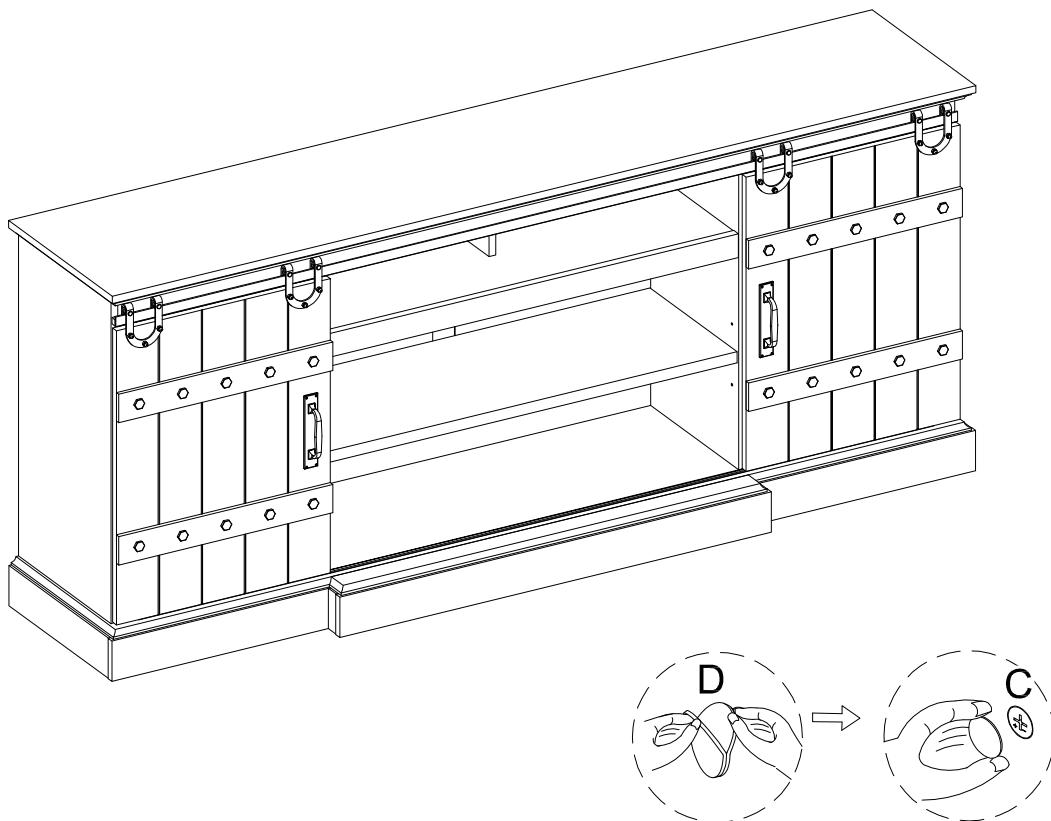
Step 22



Step 23



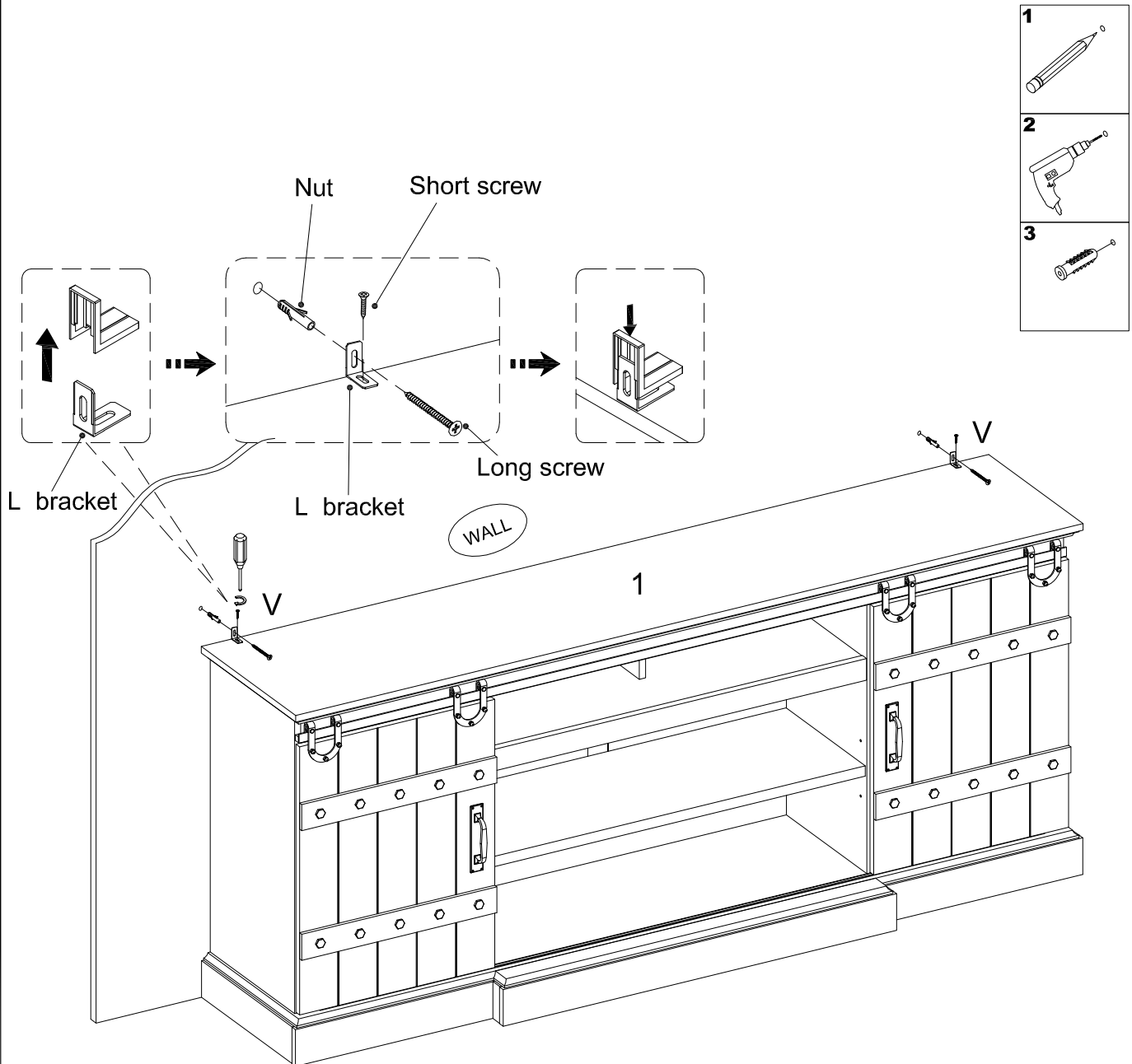
Step 24



Step 25

WARNING

Serious or fatal injuries can occur from furniture tipping over. To prevent the furniture from tipping over we recommend that it is permanently fixed to the wall. Wall anchor and hardware are included with this product. Please make sure hardware is suitable for your walls before installing, as different wall materials may require different types of anchors.



Final Assembly