

BUTLER

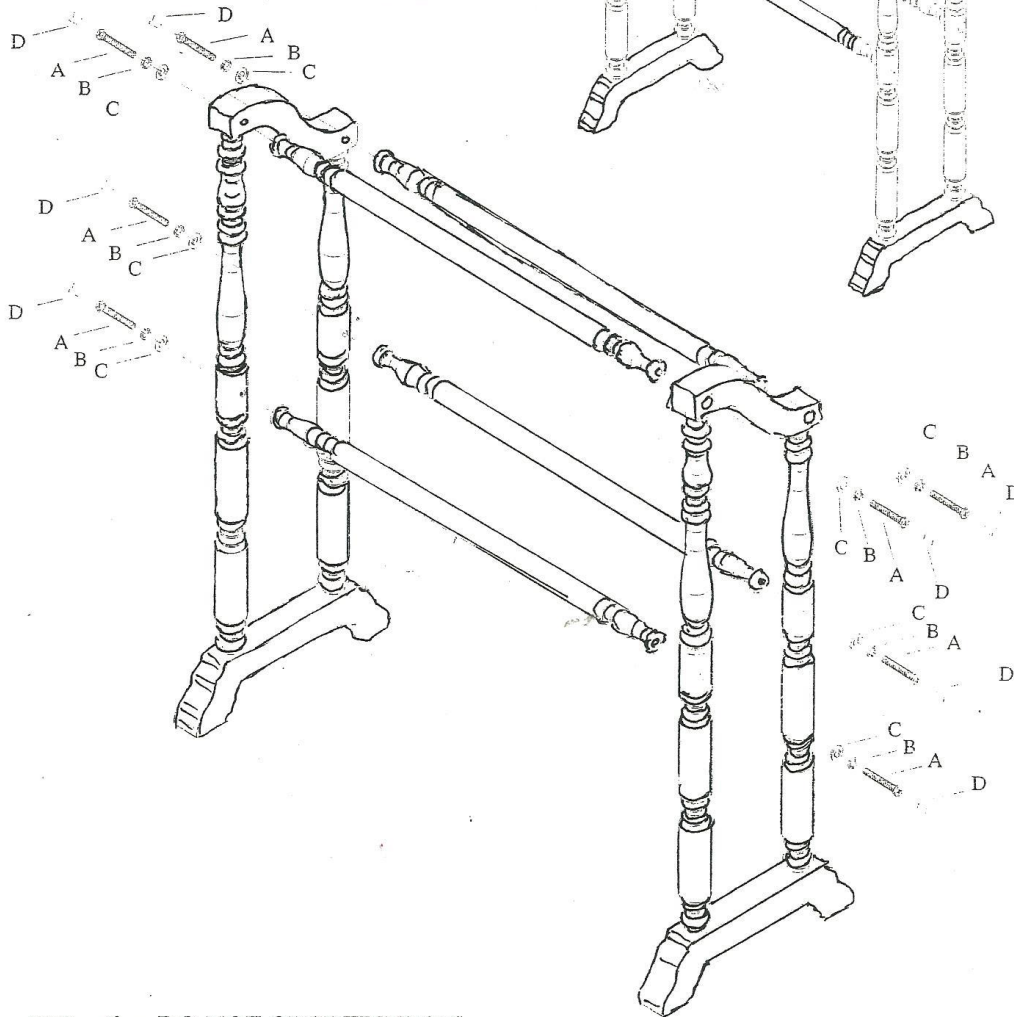
Assembly Instructions
Style Number 5020

SPECIALTY COMPANY

8200 SOUTH CHICAGO AVE., CHICAGO, IL 60617

PACKAGED

- (A) 8- Bolt diam 1/4" * 1-1/2"
- (B) 8- Lock Washer diam 1/4"
- (C) 8- Flat Washer diam 1/4" * 16mm
- (D) 8- Wood Plug diam 19.5-
 diam 18.5 * 14mm



(*) Caution: DO NOT OVERTIGHTEN

In any correspondence regarding this product, please include the complete Butler identification number located on the underside of the product.

We hope this Blanket Rack will be a useful and decorative addition to your home for years to come.