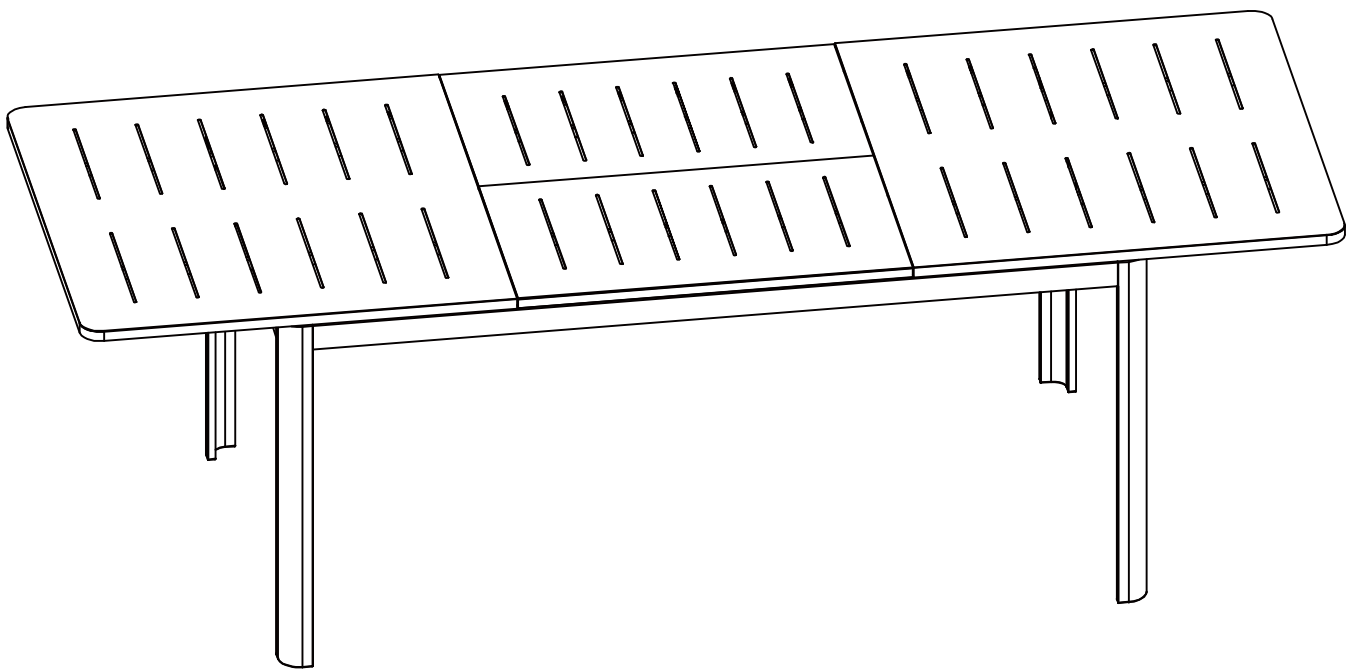


7.8'×2.9' Extendable Aluminum Dining Table

Assembly Instructions

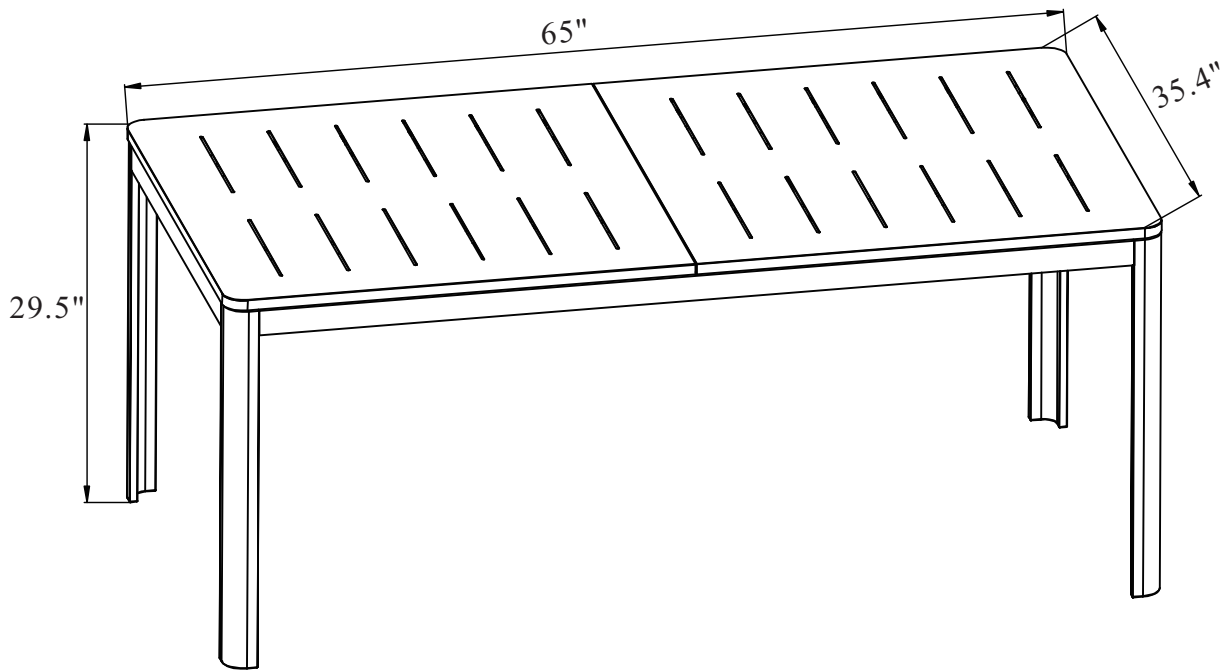
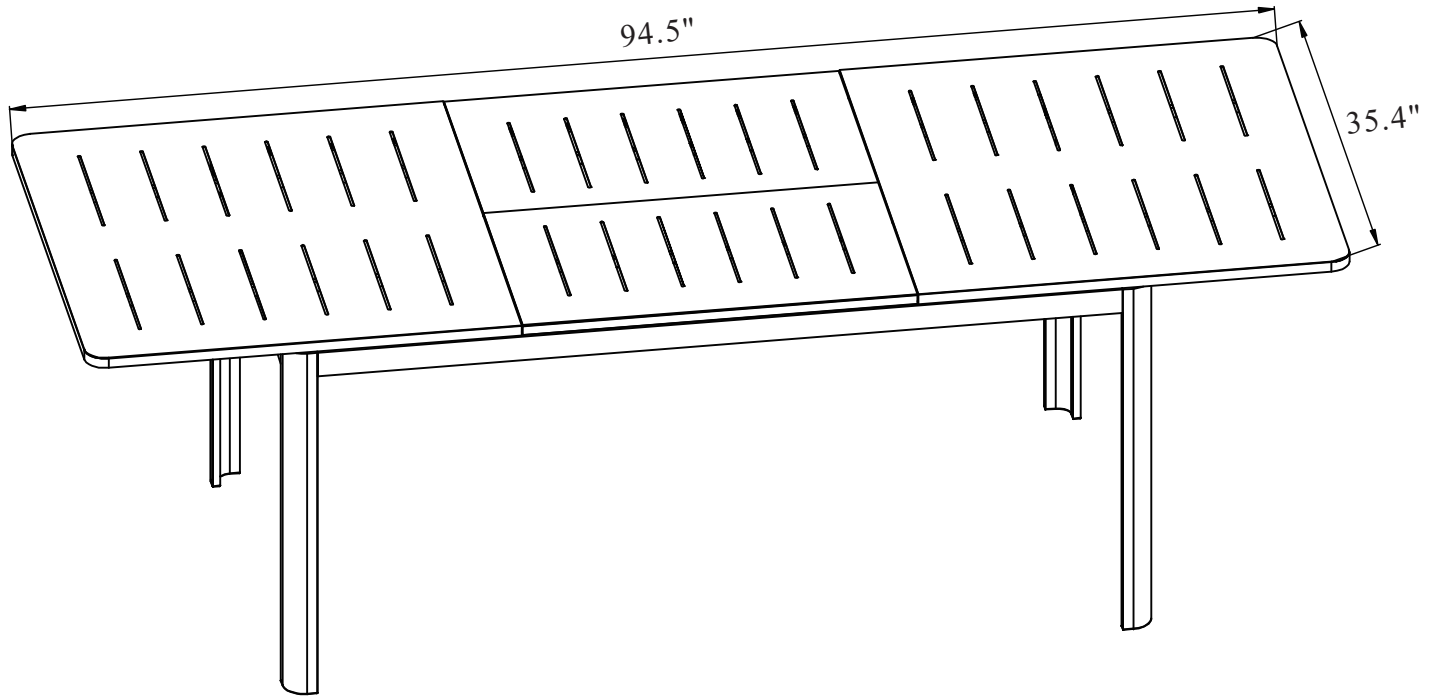


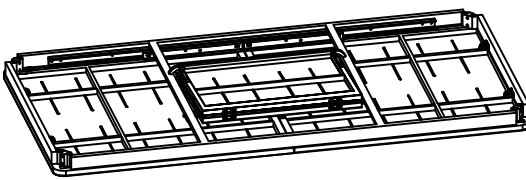
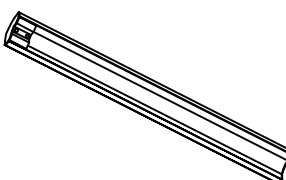



Missing part? Damaged? Contact us via email at

service@domioutdoorliving.com

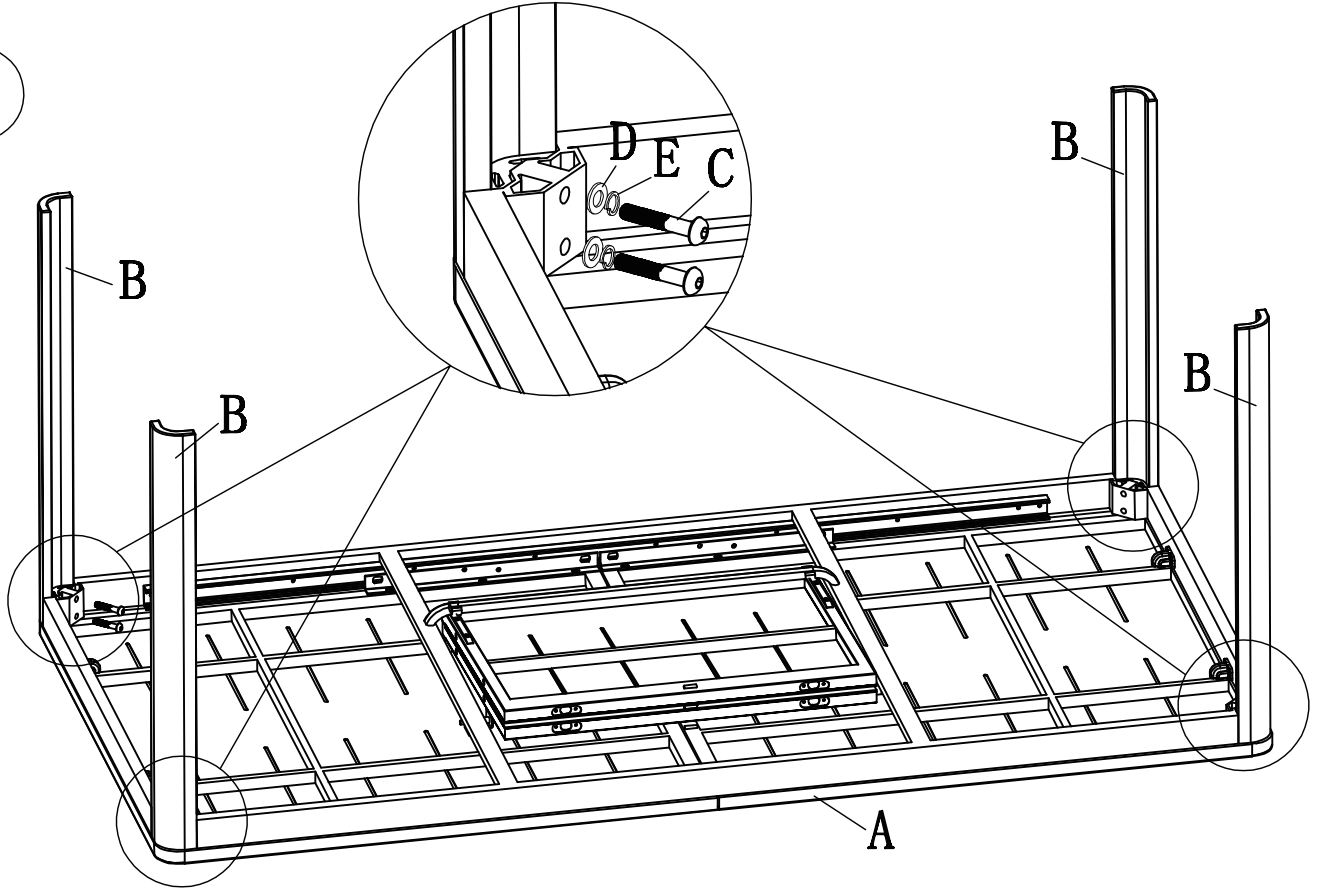
www.domioutdoorliving.com

© Copyright 2022–2024 domi LLC. | All Rights Reserved.



				 M8*50	C 8PCS		E 8PCS
					D 8PCS	F 1PC	
A	1PC	B	4PCS				

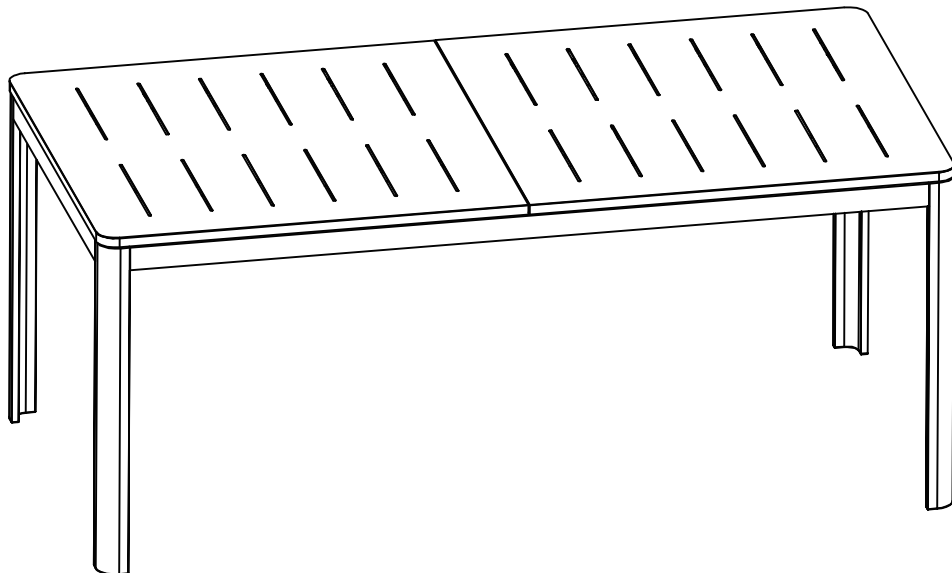
1



Step 1: Install part B(Table Leg) on Part A(Tabletop) with Part D (flat Washer), Part E (Split Lock Washer) and Part C(Screw).

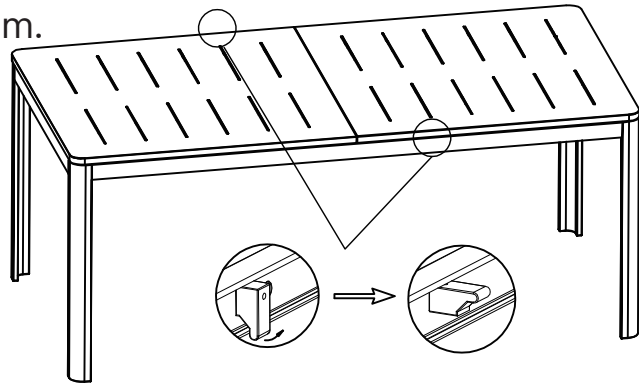
Step 2: Turn the table over.

2

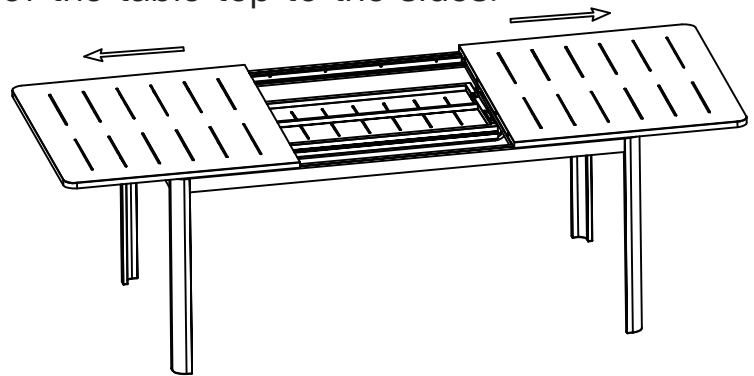


How to Use the Extendable Aluminum Dining Table

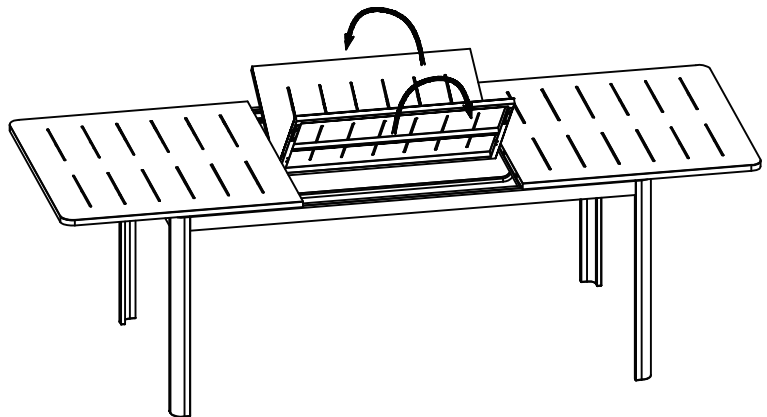
- 3 Step 1: Unlock the latches under the table edge on both sides from the beam.



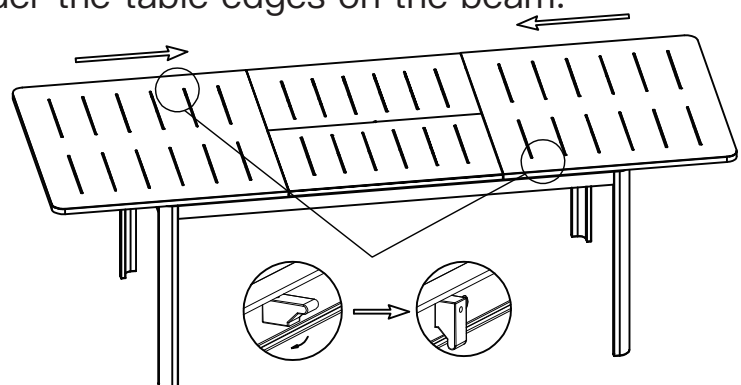
- 4 Step 2: Pull the two sides of the table top to the sides.



- 5 Step 3: Flip up the two small tabletops in the middle.



- 6 Step 4: Push the tabletops on both sides to the middle and buckle the latches under the table edges on the beam.



Thanks for your purchase.

At domi outdoor living, we believe in our products.

That's why we provide a 12-month warranty and

friendly, easy-to-reach after-sales service. So if you

have any questions about our product and assembly-

,please feel free to contact us. We will be here for you.

Support:  

After-sales contact email:

service@domioutdoorliving.com

Please tell us your order ID when contact.

Attach photos of damaged part for instant reply.