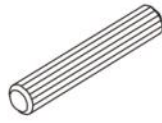


A x 28



Ø6 x 35 mm

B x 28



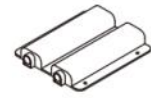
Ø8 x 30 mm

C x 28

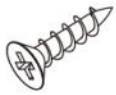


Ø15 x 9 mm

D x 1



E x 50



Ø3.5 x 14 mm

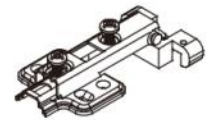
F x 16



G x 2



H x 8

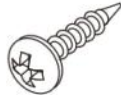


J x 16



Ø3 x 9 mm

K x 6



L x 2

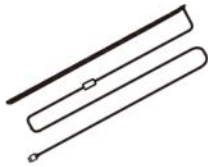


M x 2

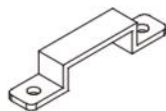


Ø4 x 40 mm

N x 4



P x 12

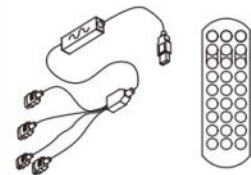


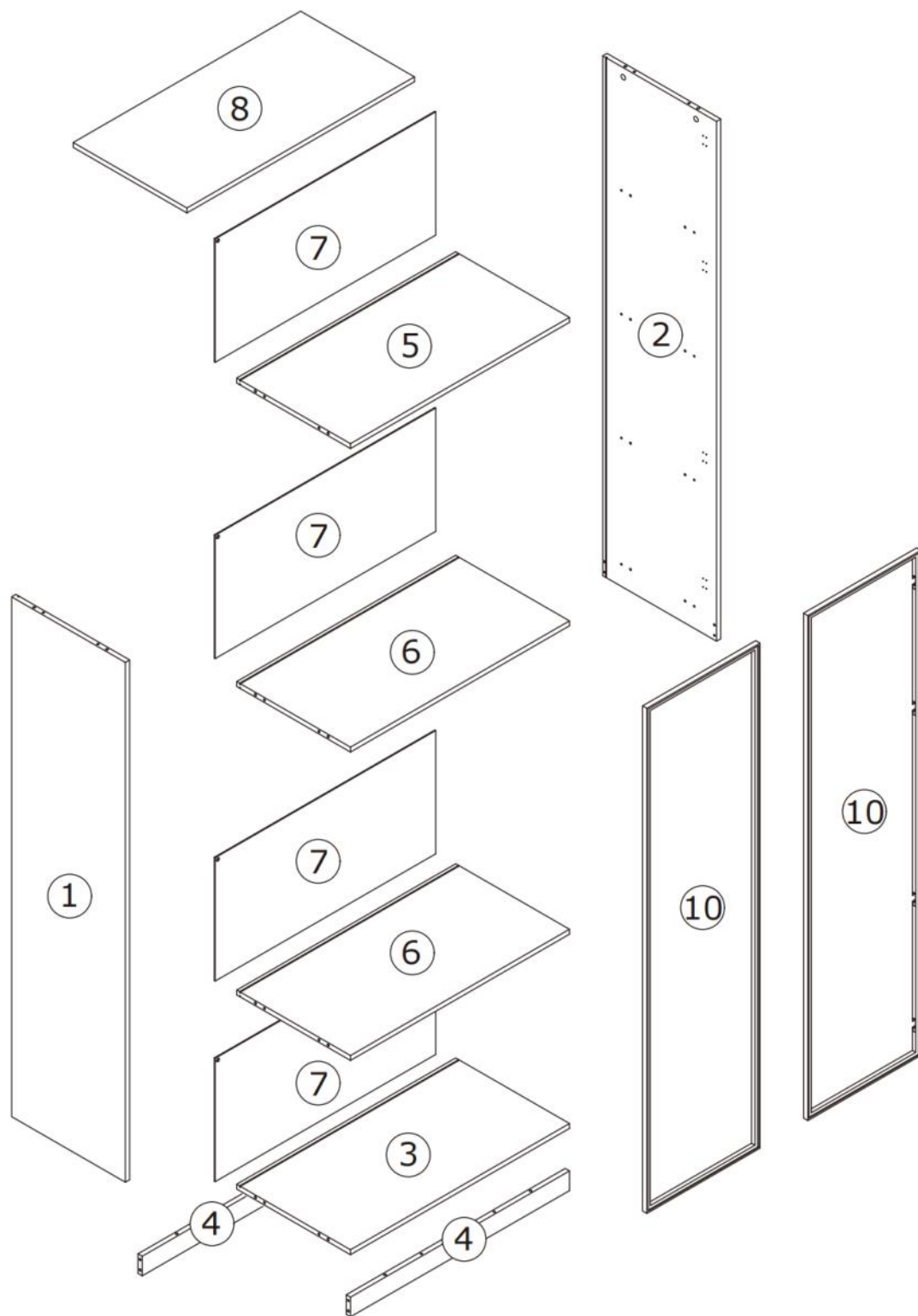
Q x 24



Ø3 x 12 mm

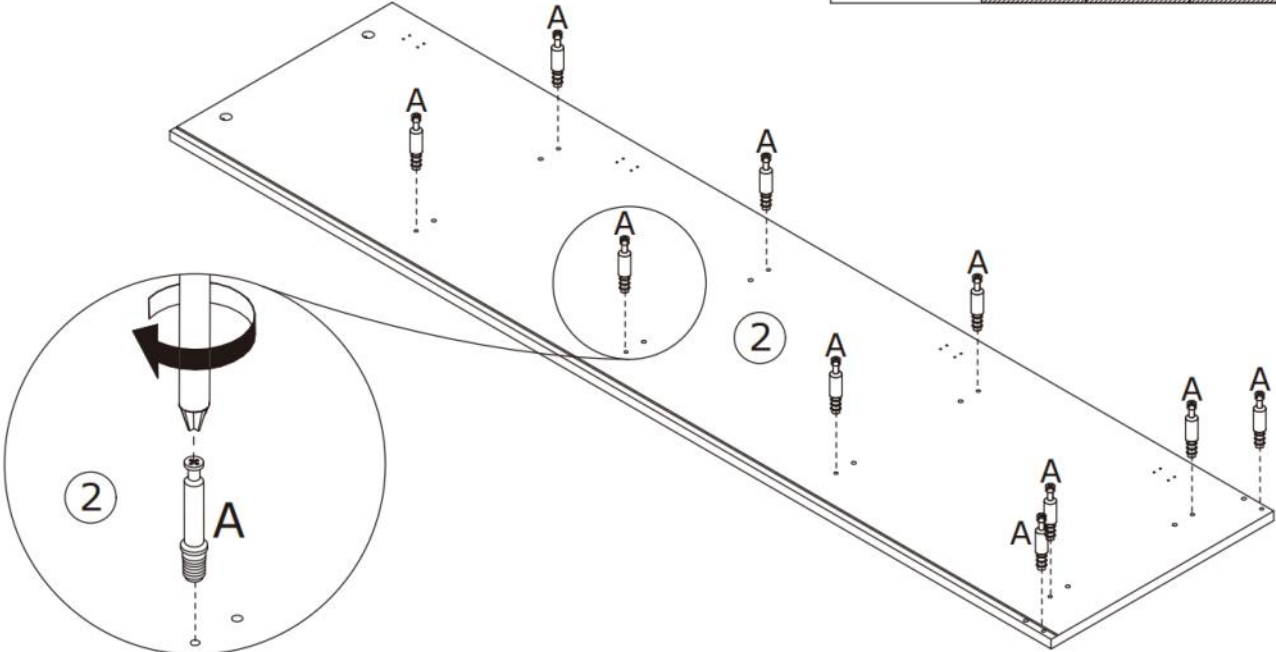
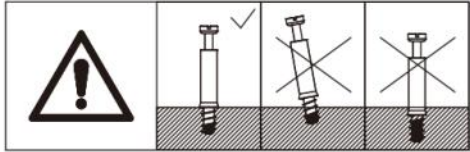
R x 1





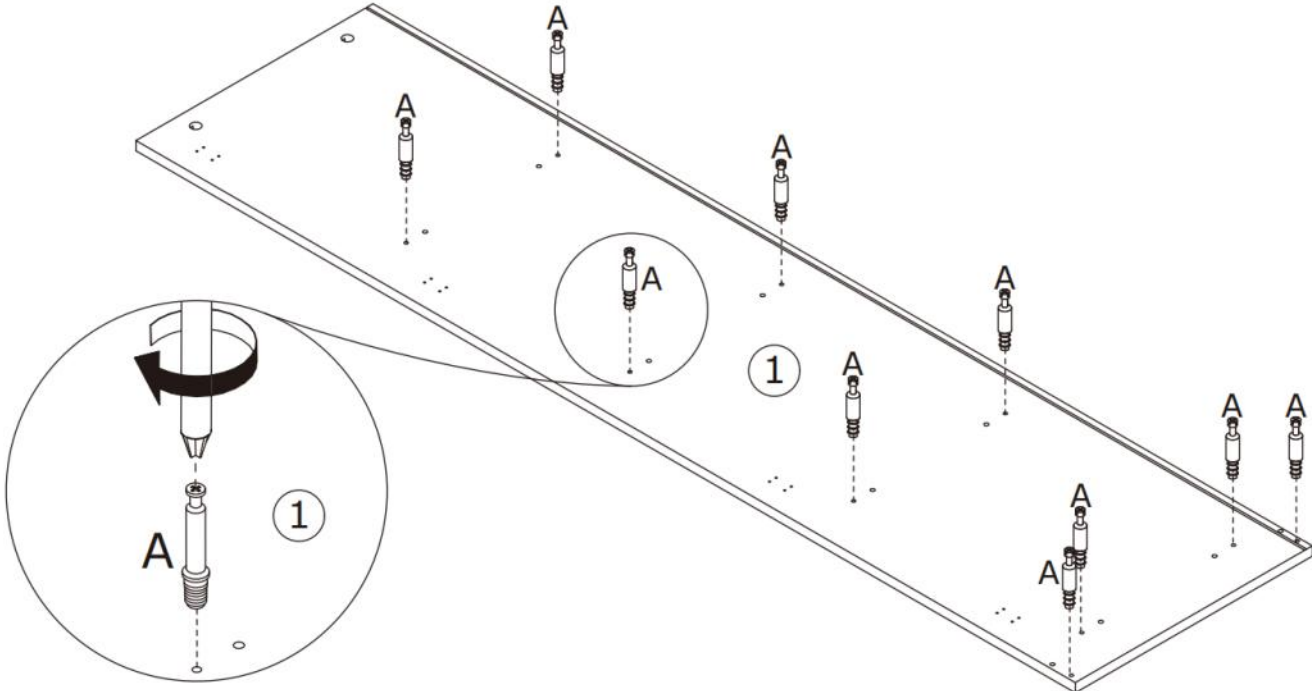
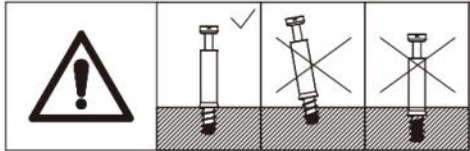
1

A x 10  
Ø6 x 35 mm



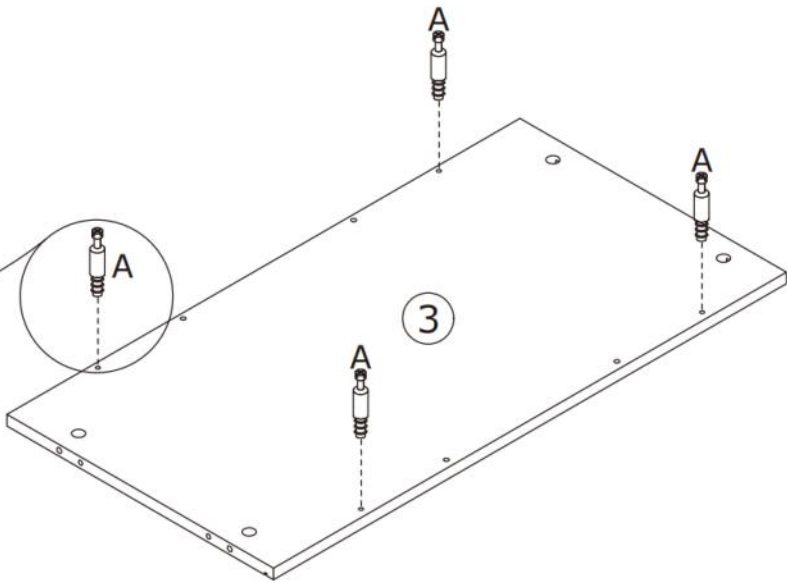
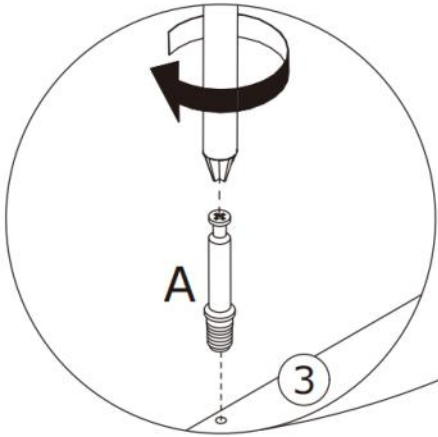
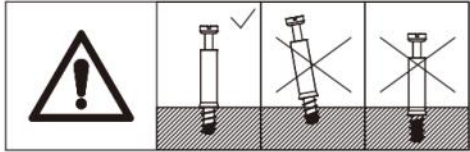
2

A x 10  
Ø6 x 35 mm



3

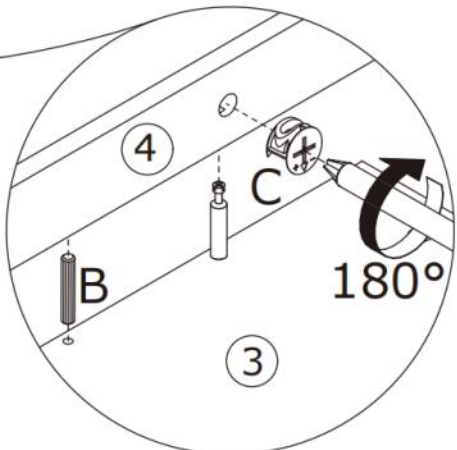
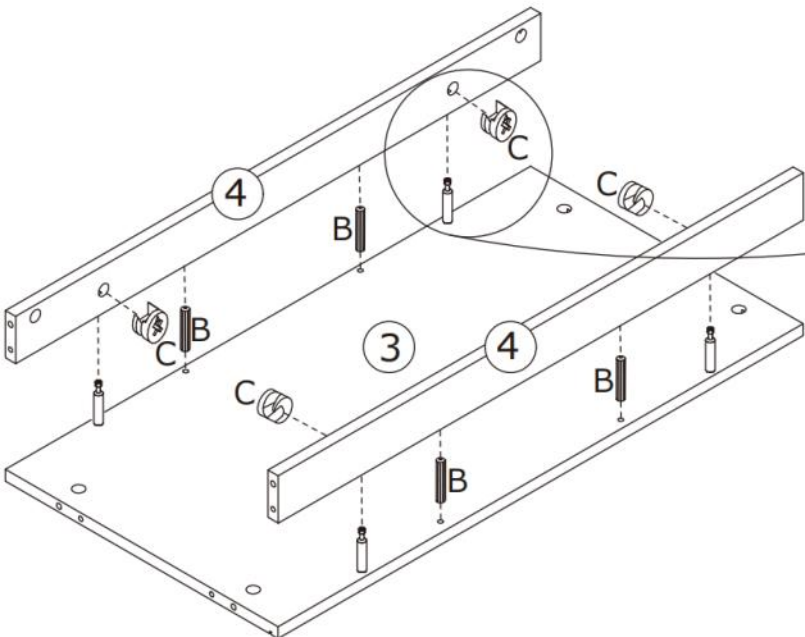
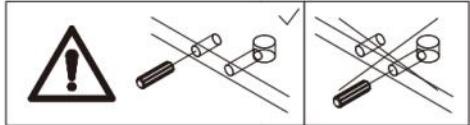
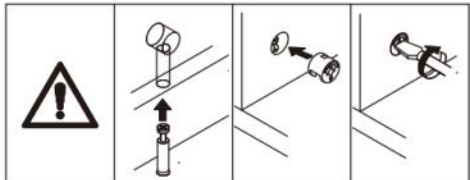
A x 4  
Ø6 x 35 mm



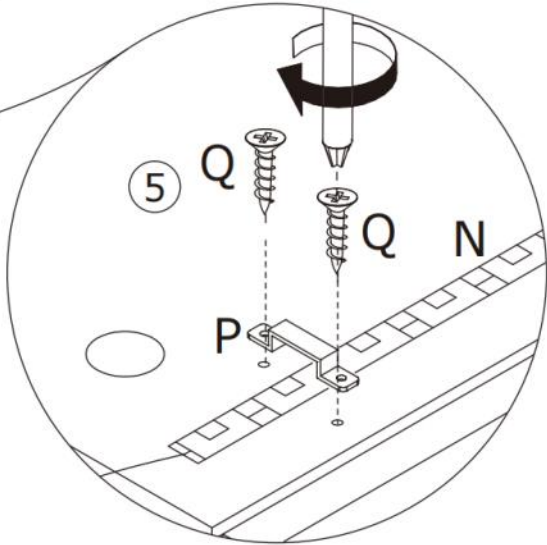
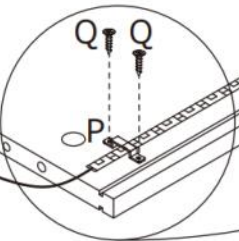
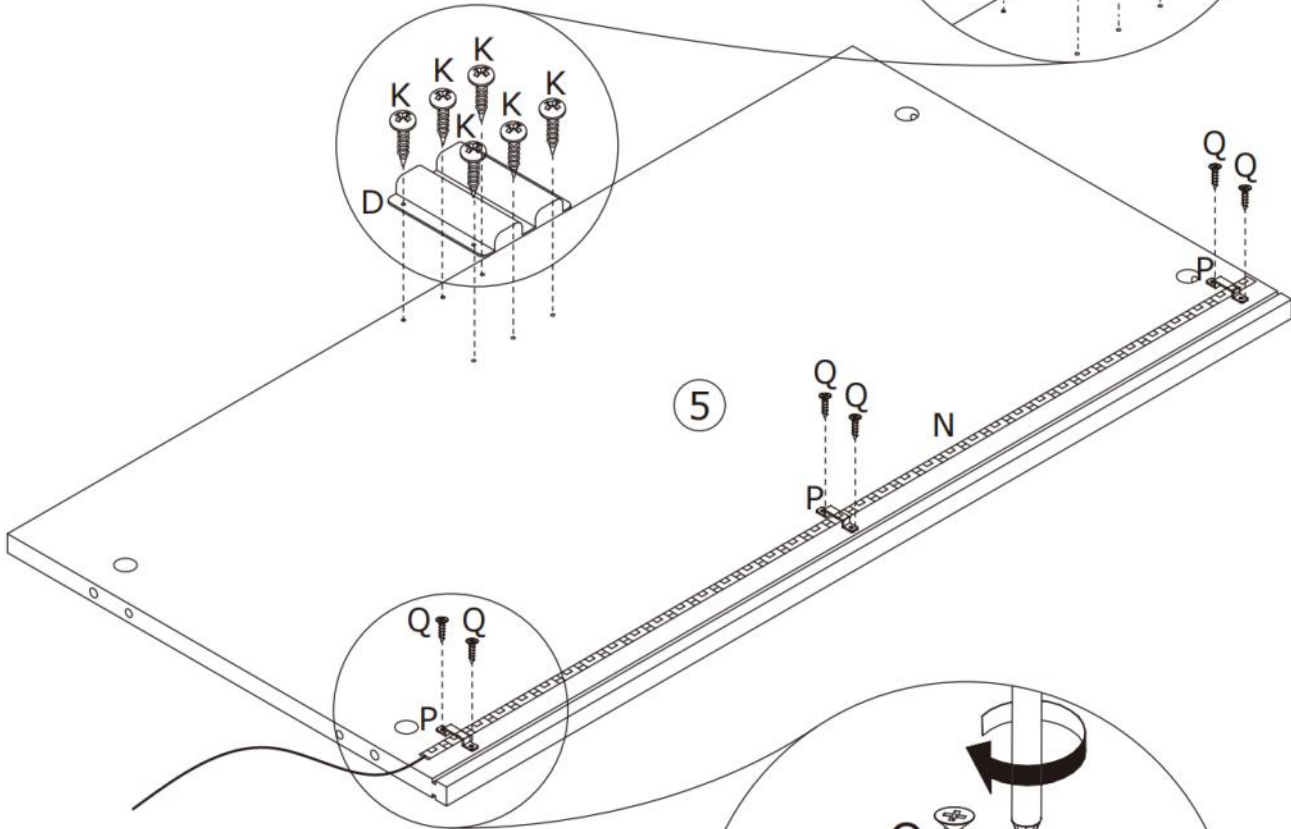
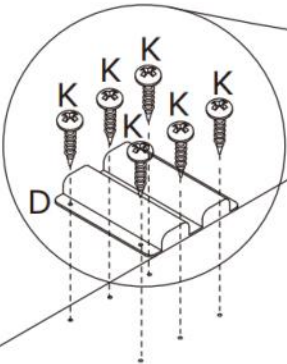
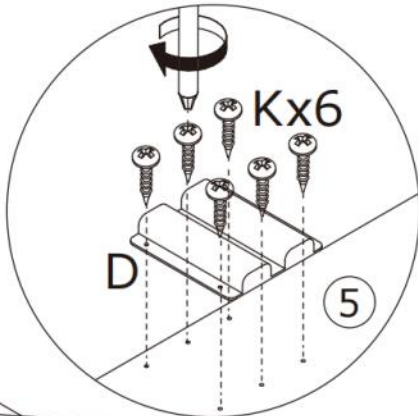
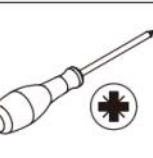
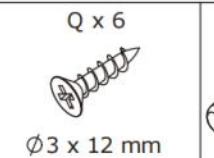
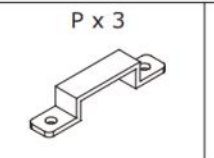
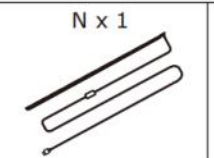
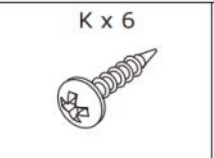
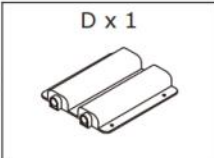
4

B x 4  
Ø8 x 30 mm

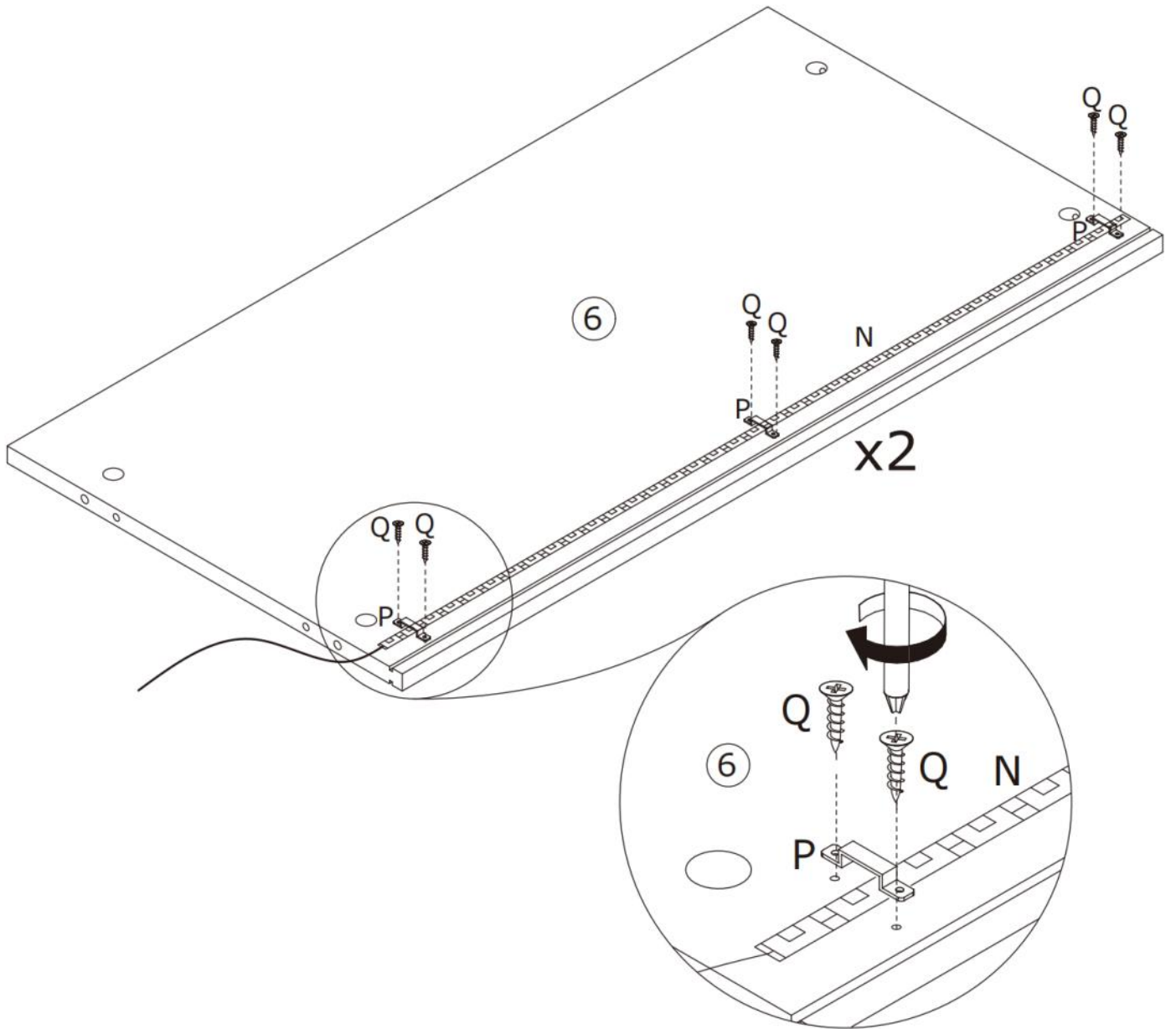
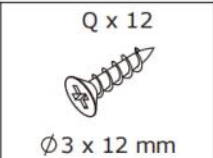
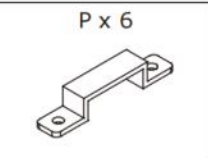
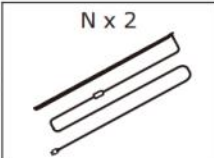
C x 4  
Ø15 x 9 mm



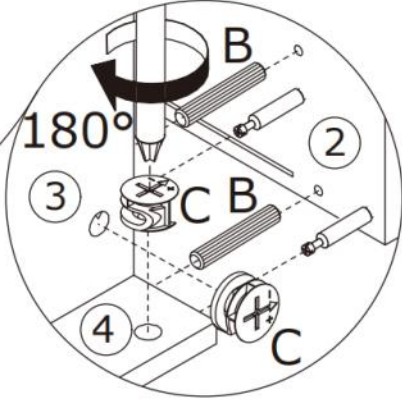
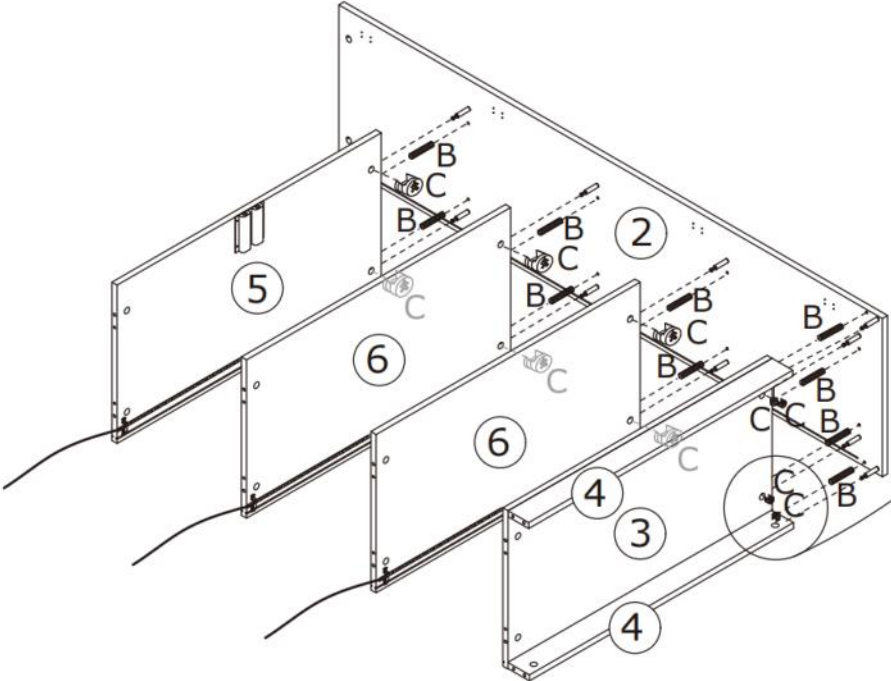
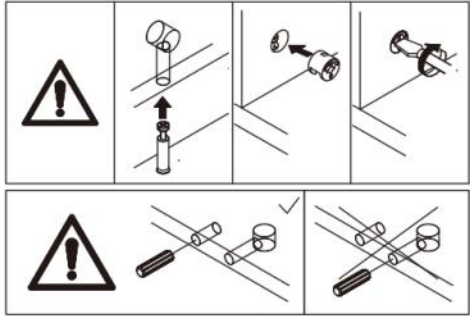
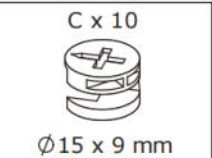
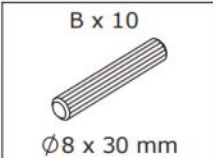
5



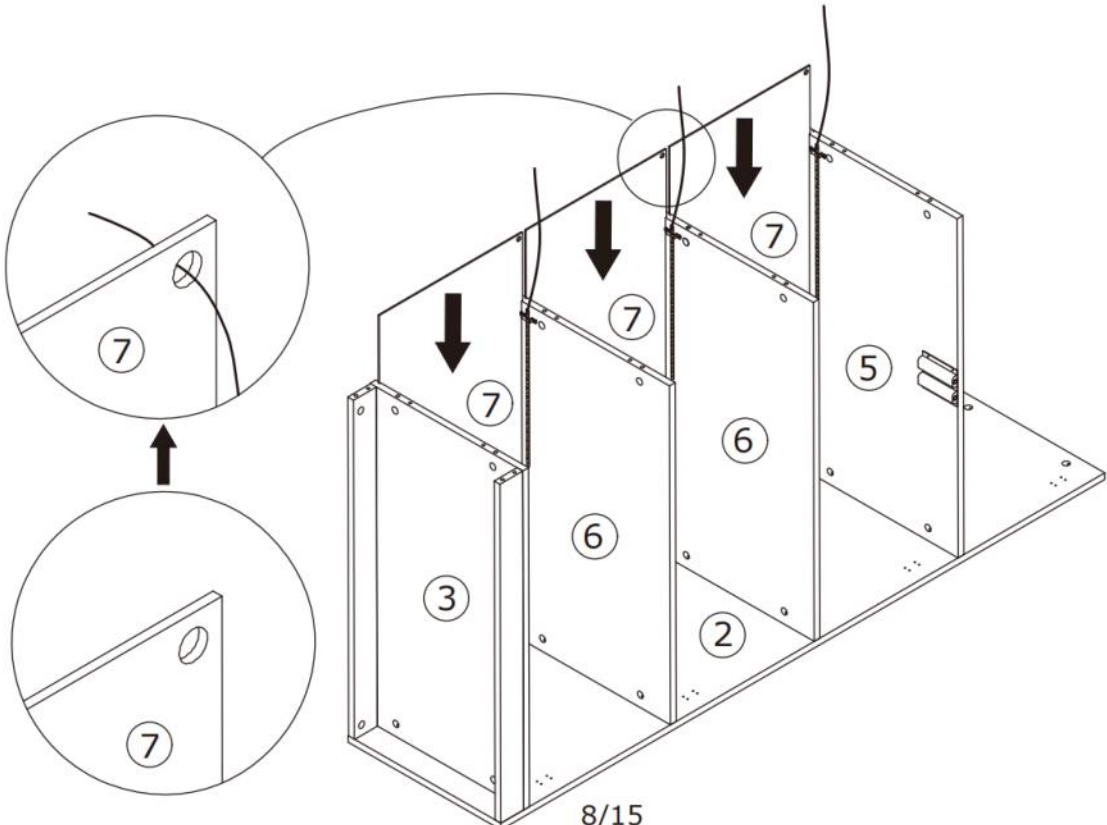
6



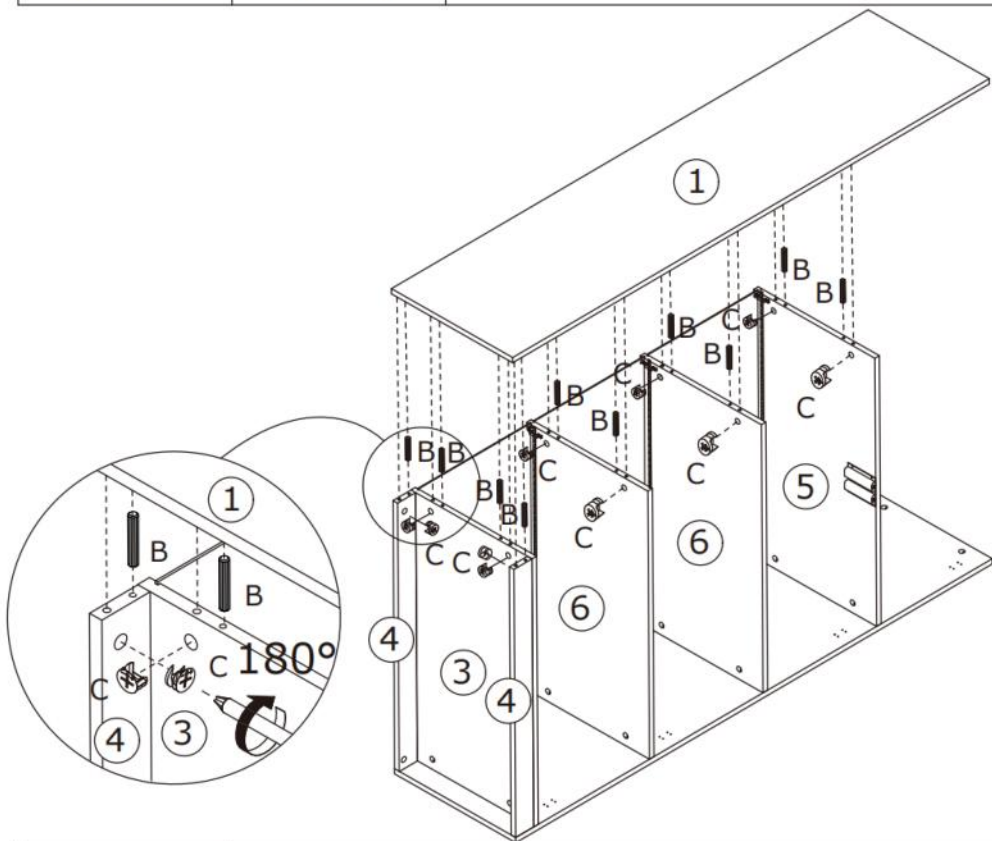
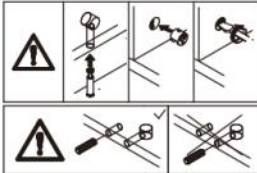
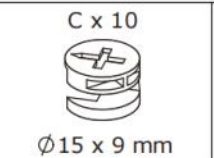
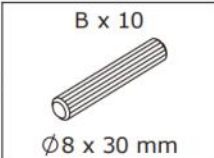
7



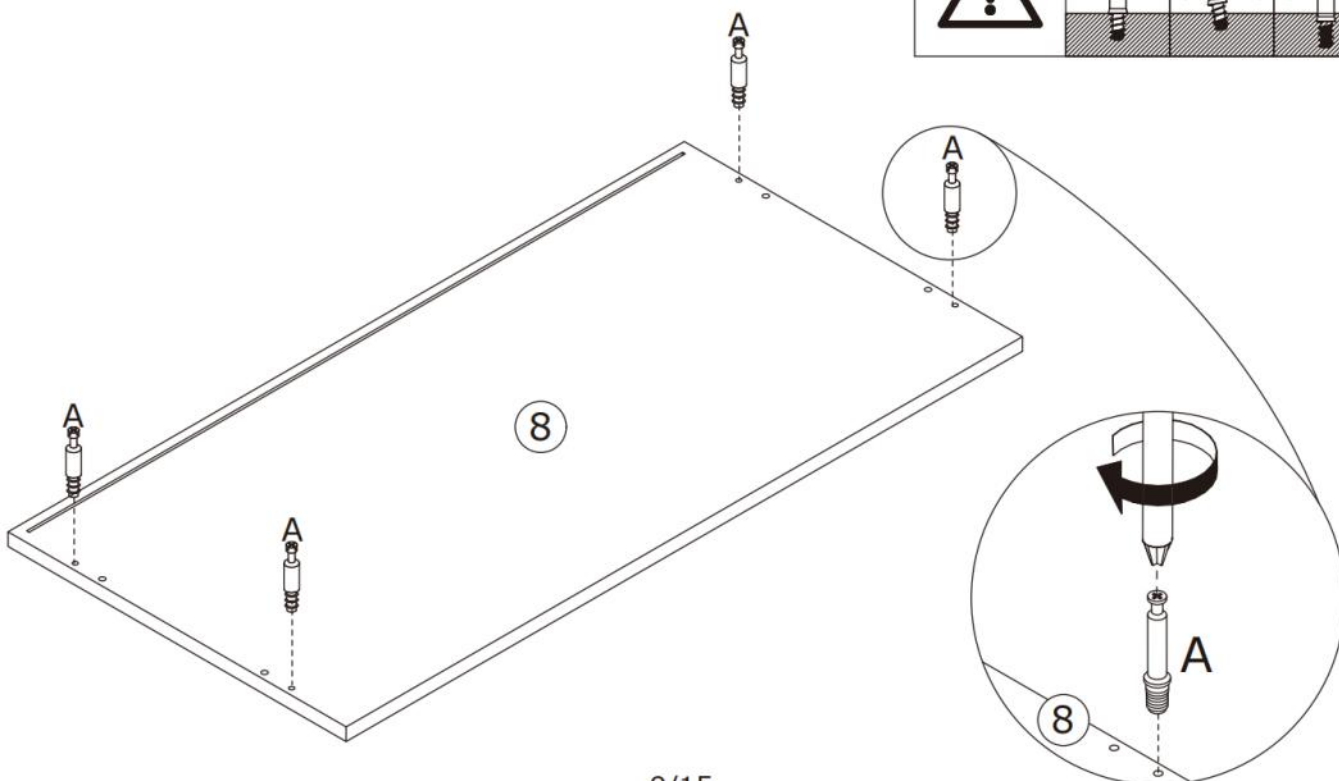
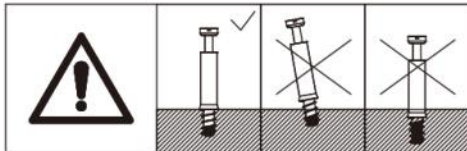
8



9

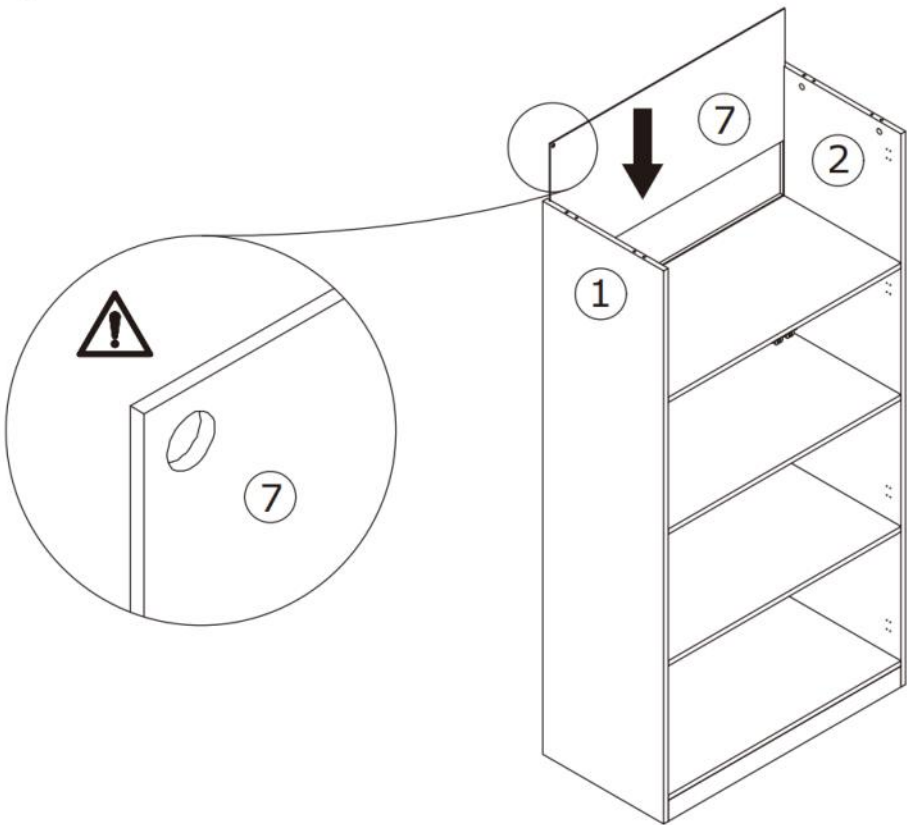


10

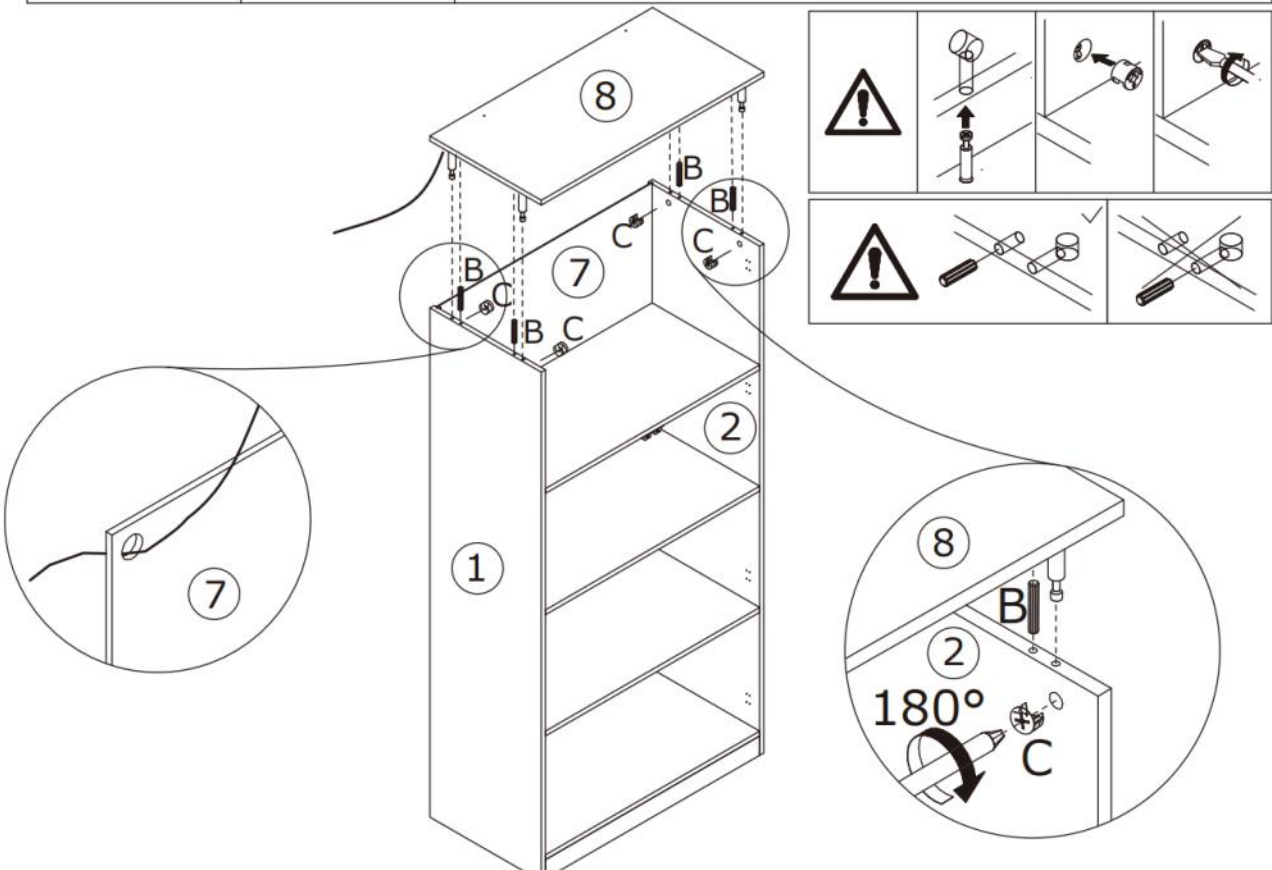




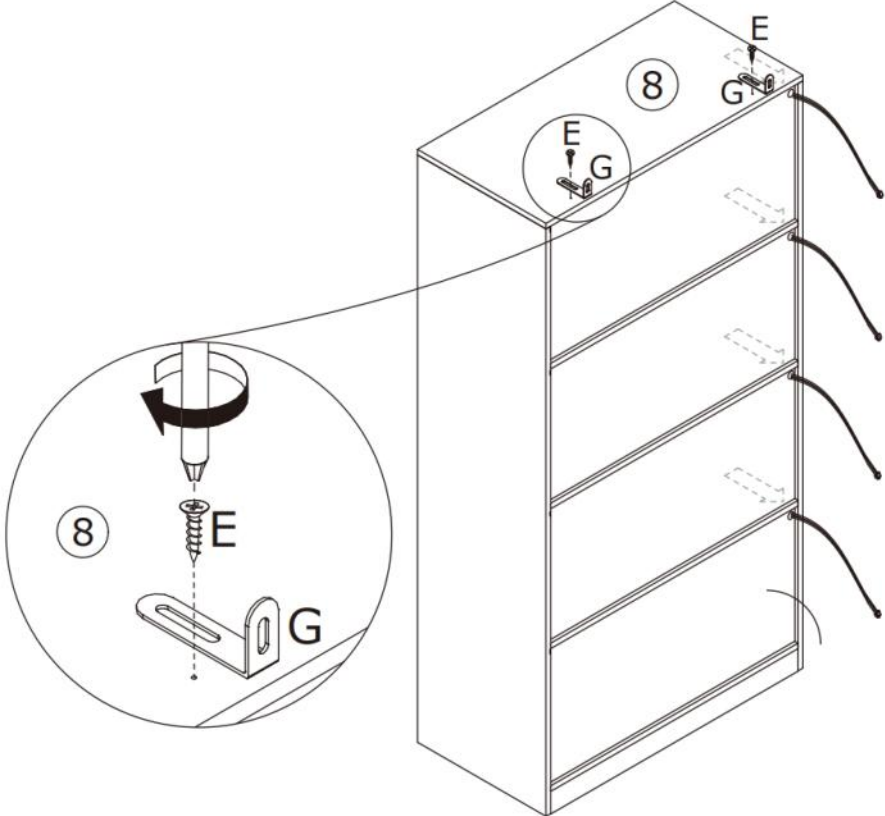
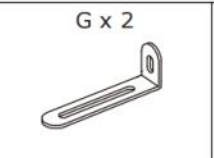
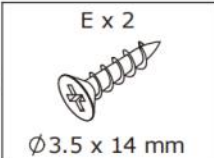
12



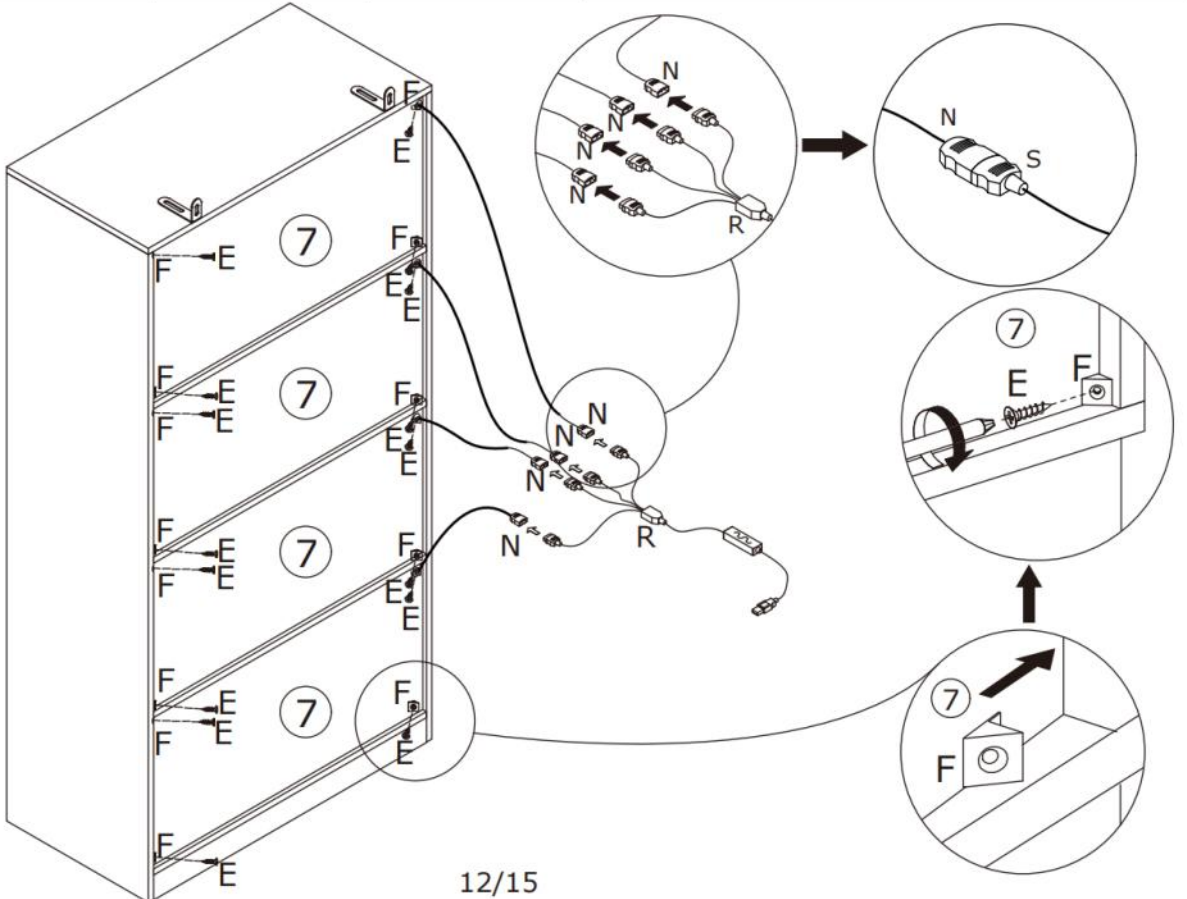
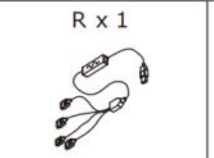
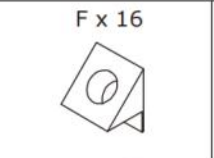
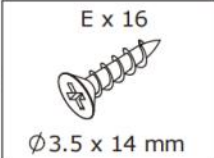
13



14

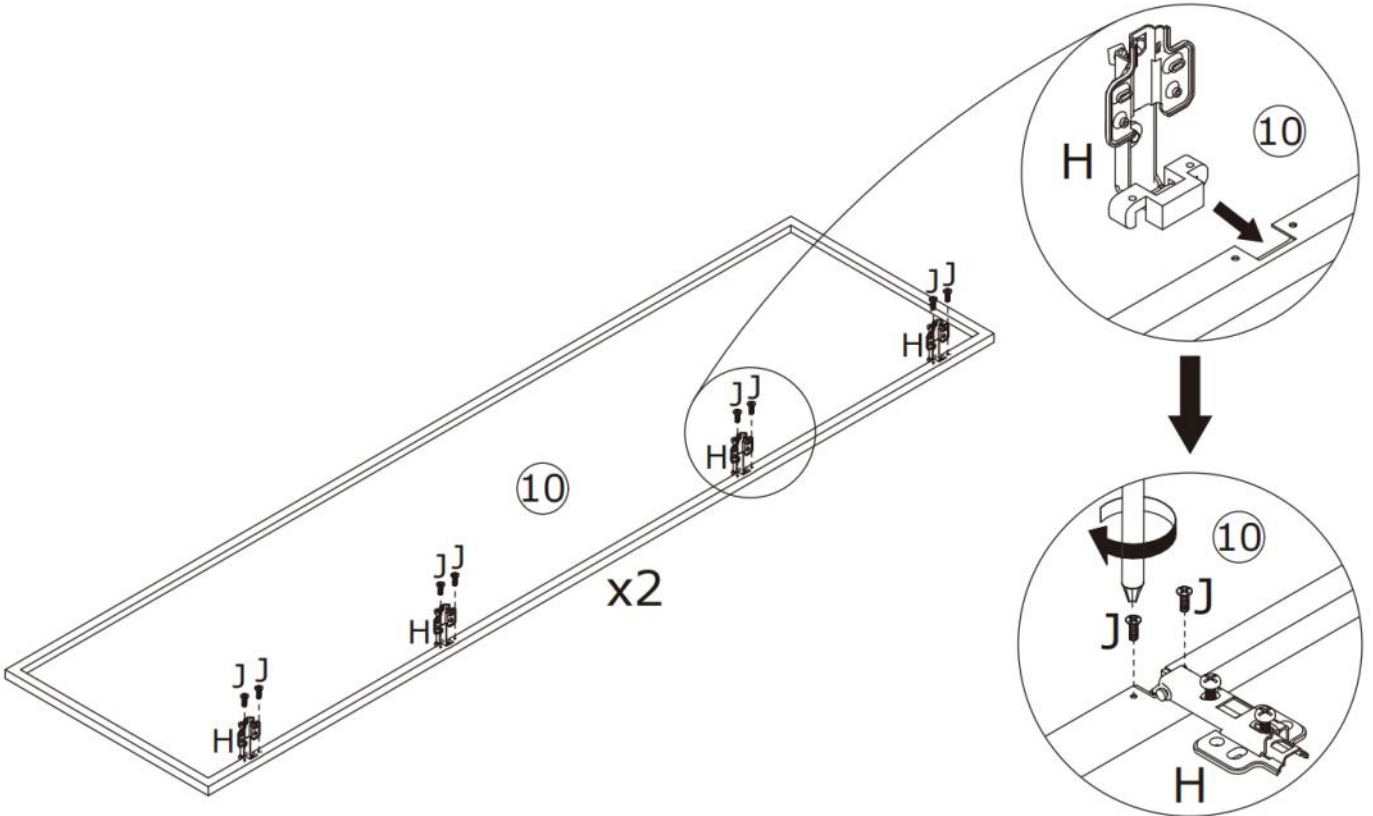


15



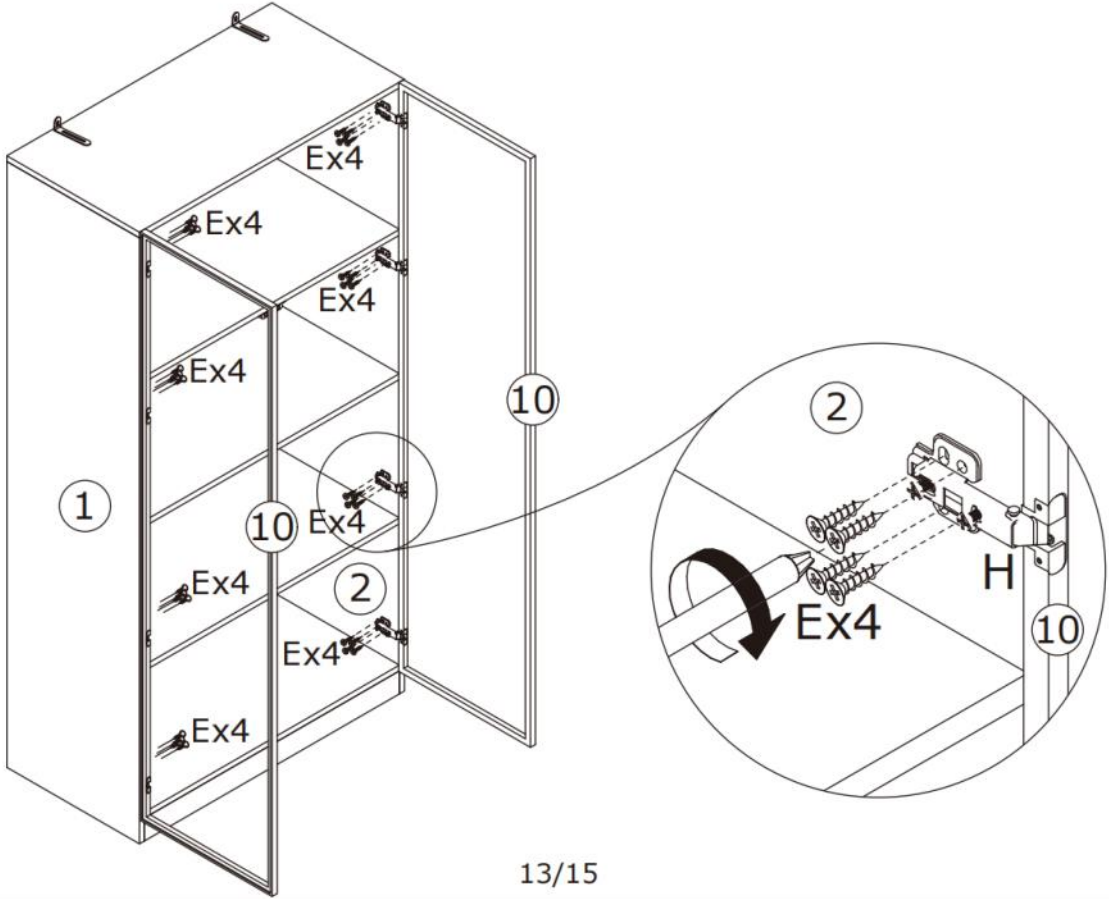
16

<p>H x 8</p> 	<p>J x 16</p>  <p>Ø3 x 9 mm</p>	
--	--	---

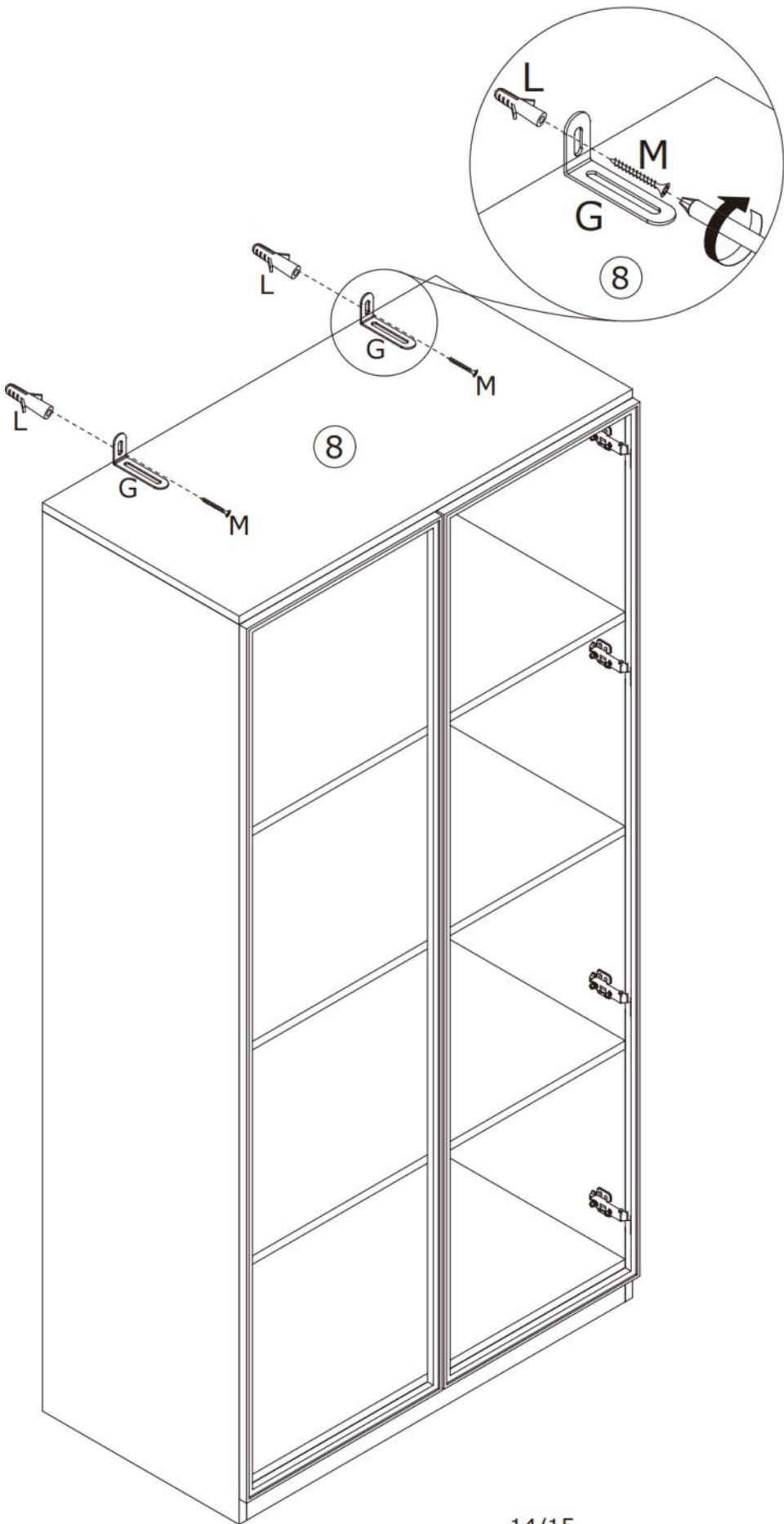
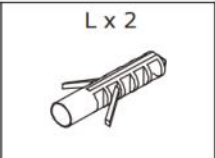
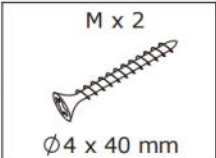


17

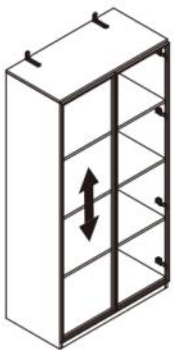
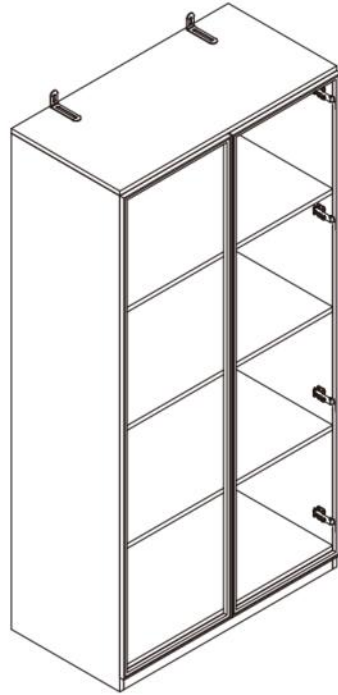
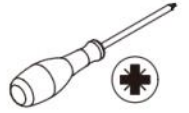
<p>E x 32</p>  <p>Ø3.5 x 14 mm</p>	
---	---



18



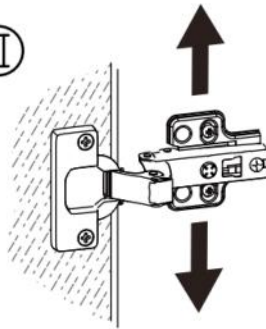
- 1.
- 2.
- 3.
- 4.



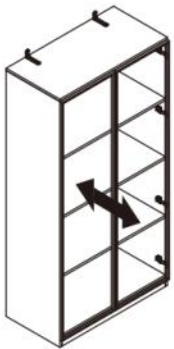
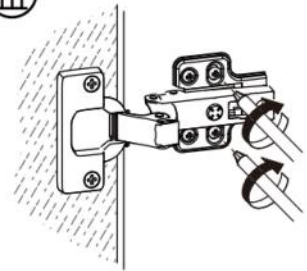
I



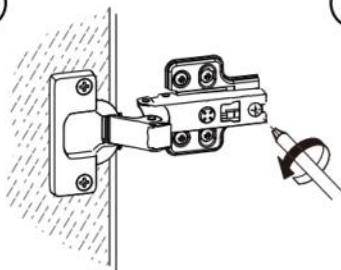
II



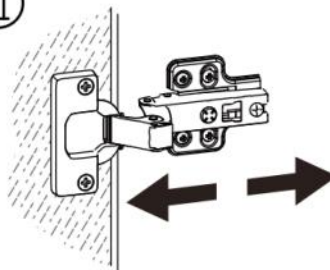
III



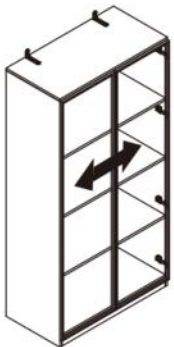
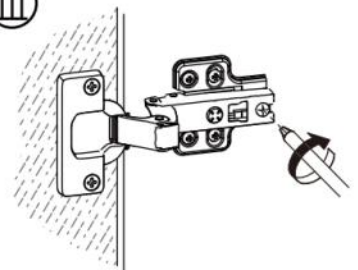
I



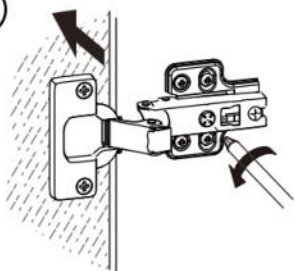
II



III



I



II

