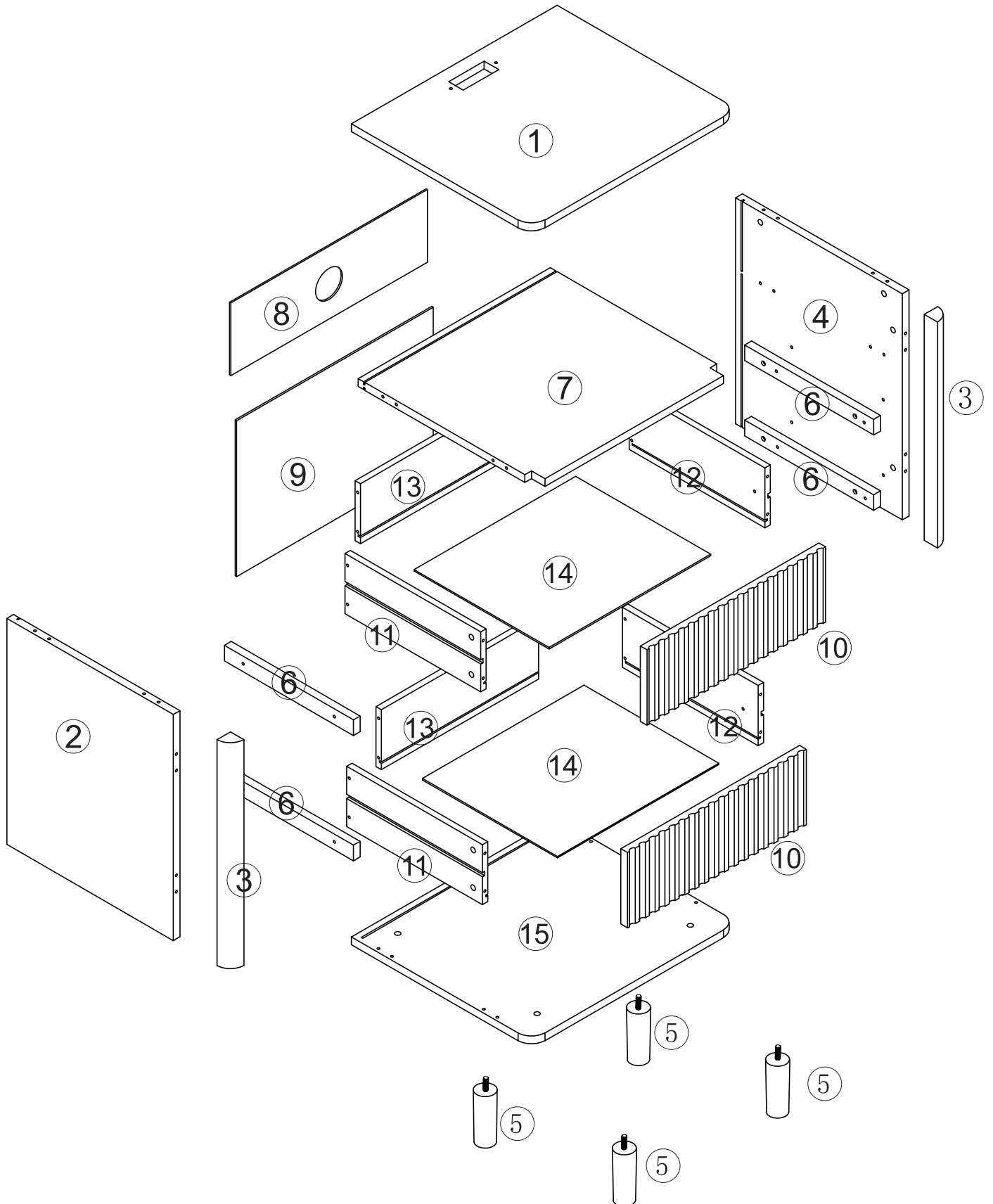
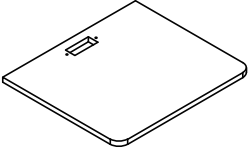
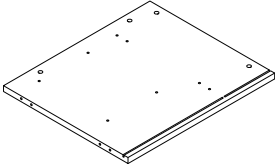

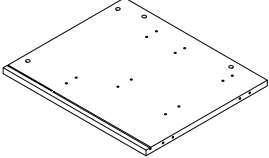

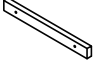
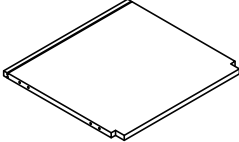
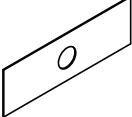
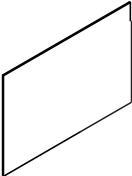
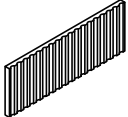
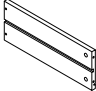
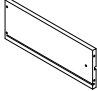
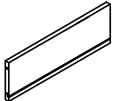
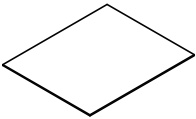
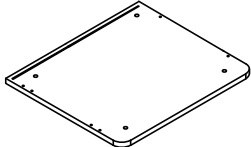







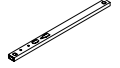






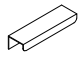
Instruction Manual

Important Notes:

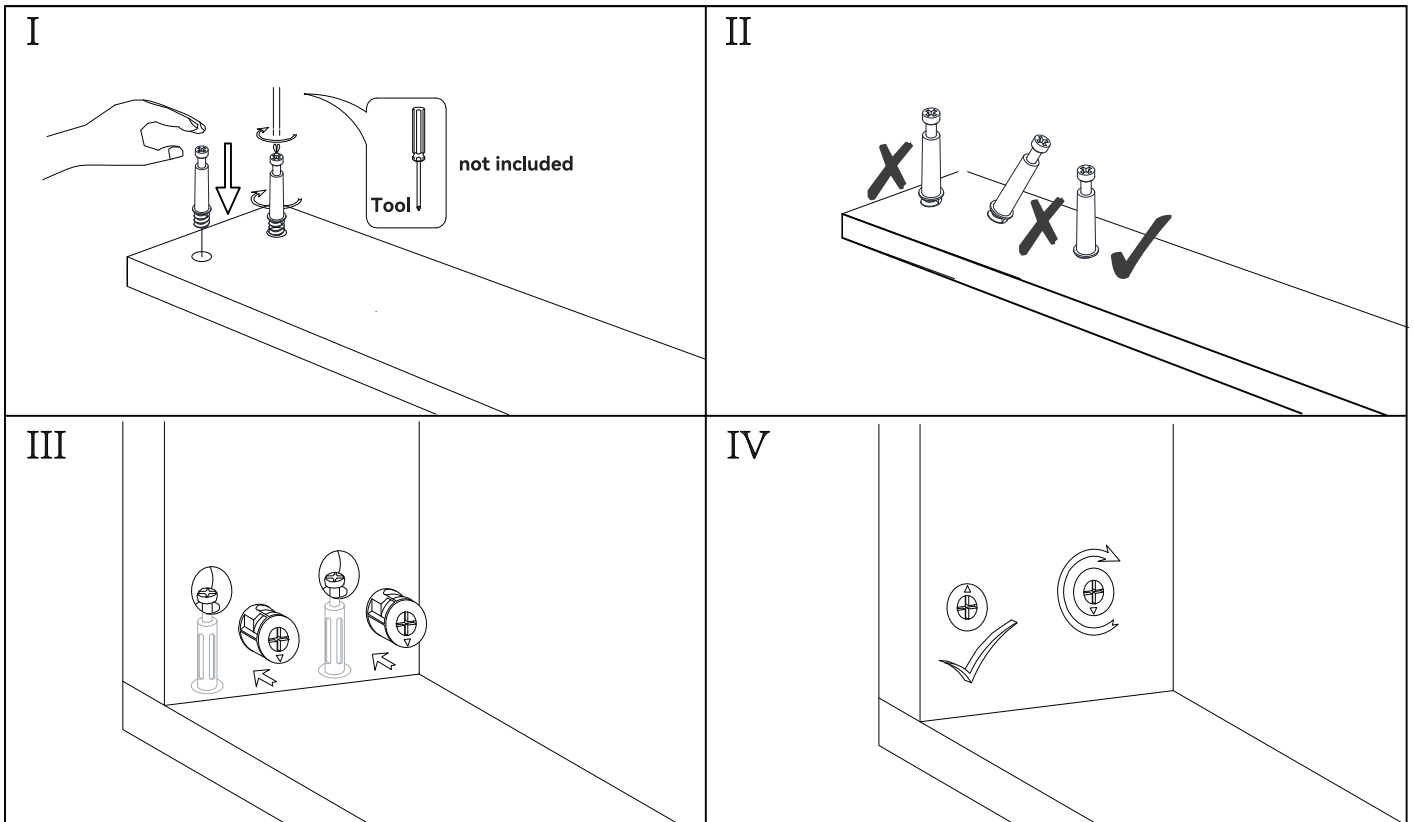
- Carefully remove all parts from the box and place them individually on a flat surface to prevent scratches or other damage.
- Follow these assembly and installation instructions strictly to ensure the product is assembled as intended.






<p>① x1</p> 	<p>② x1</p> 	<p>③ x2</p> 	<p>④ x1</p> 
<p>⑤ x4</p> 	<p>⑥ x4</p> 	<p>⑦ x1</p> 	<p>⑧ x1</p> 
<p>⑨ x1</p> 	<p>⑩ x2</p> 	<p>⑪ x2</p> 	<p>⑫ x2</p> 
<p>⑬ x2</p> 	<p>⑭ x2</p> 	<p>⑮ x1</p> 	

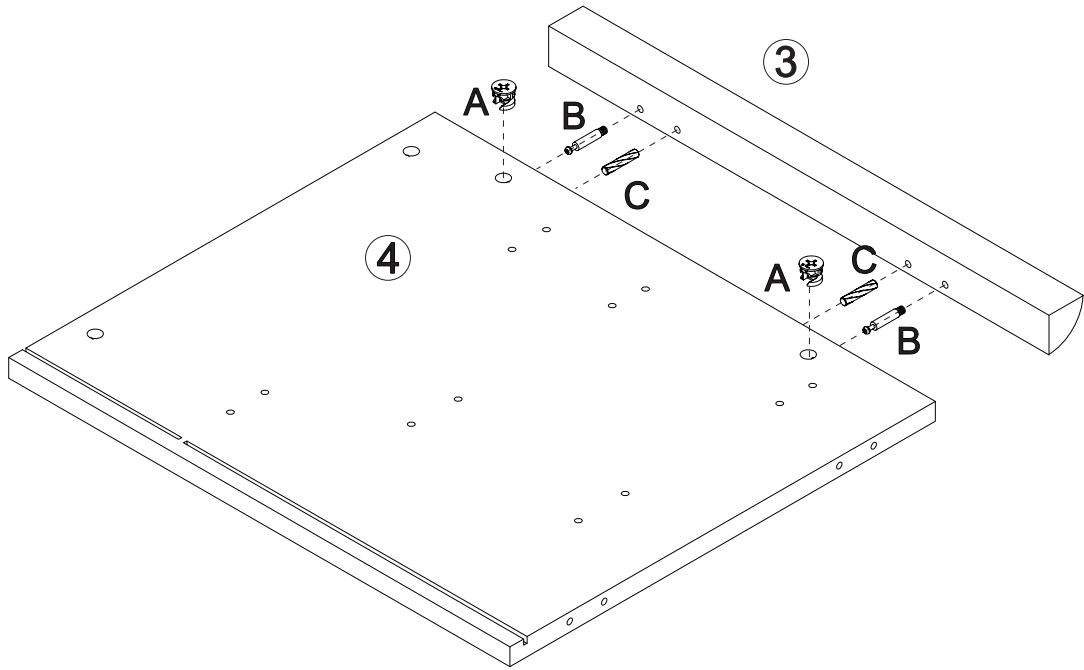
 Ax20	 Bx20	 Cx24	 Dx16	 Ex12	 Fx4
 Gx4	 Hx2	 Ix1	 Jx1	 Kx4	 Lx4
 Mx2					

NOTED:




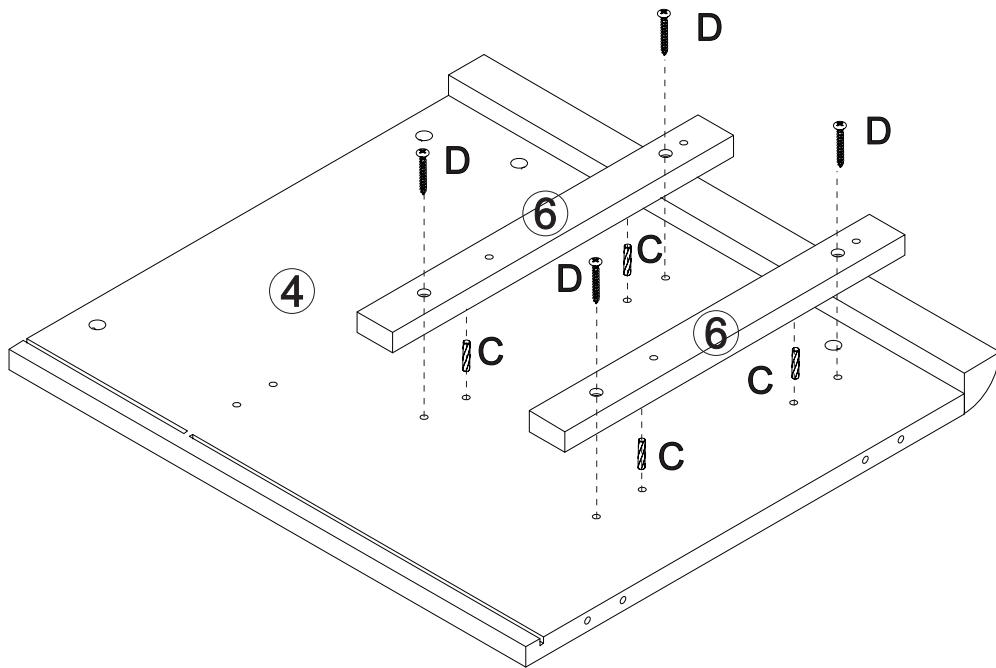
Step 1

	Ax2
	Bx2
	Cx2






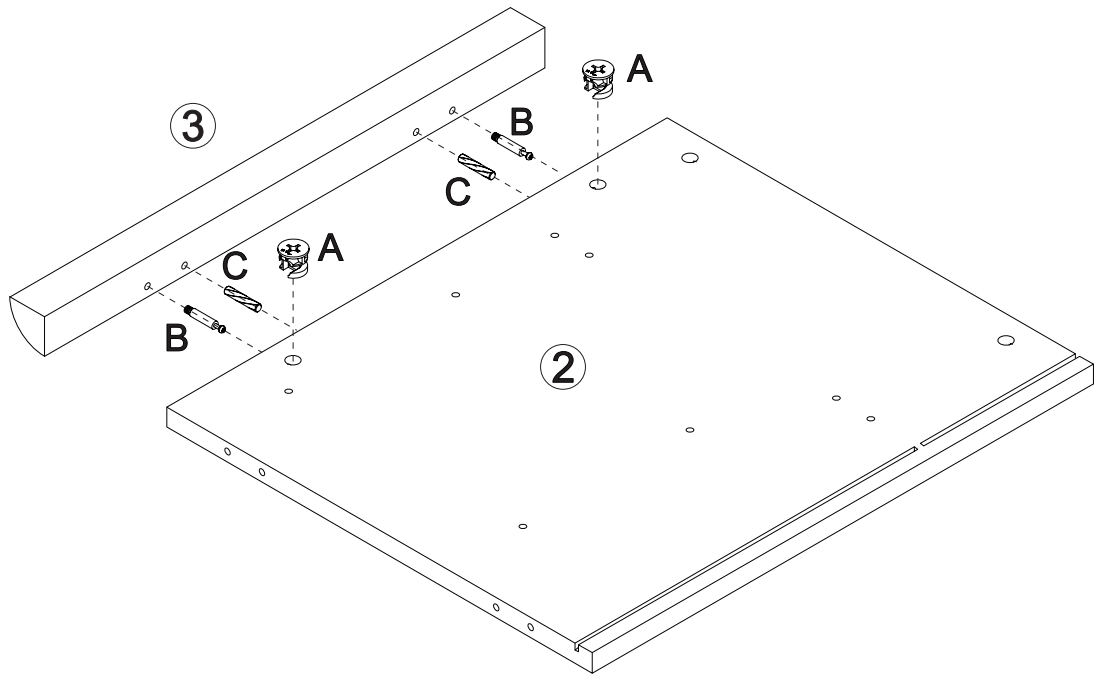
Step 2

	Cx4
	Dx4





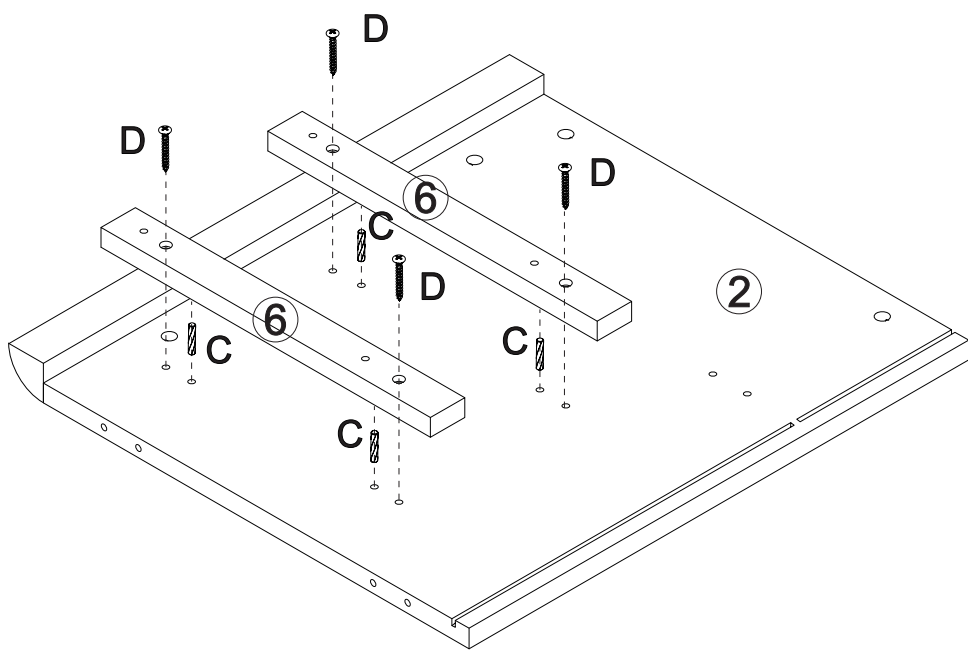
Step 3

	Ax2
	Bx2
	Cx2






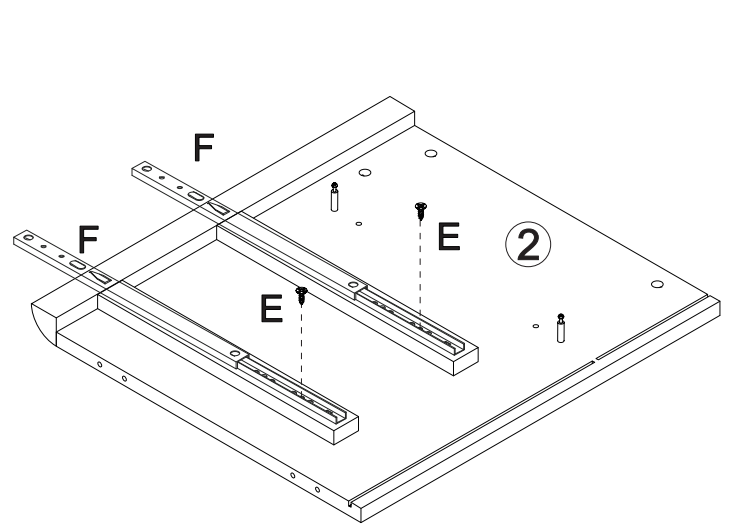
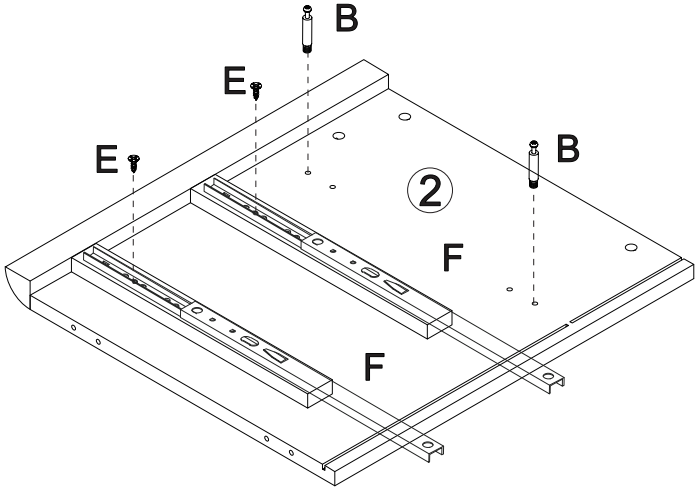
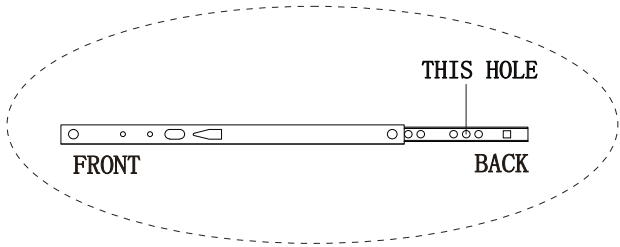
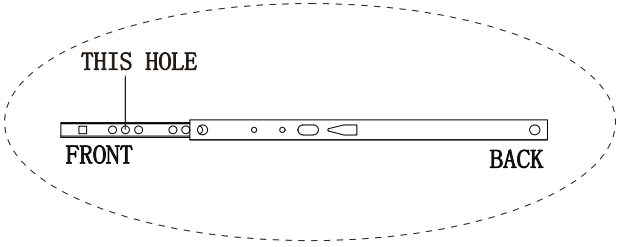
Step 4

	Cx4
	Dx4






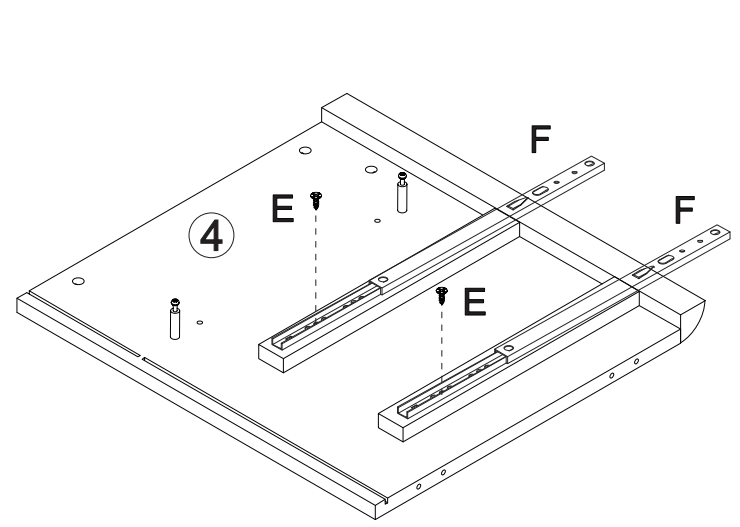
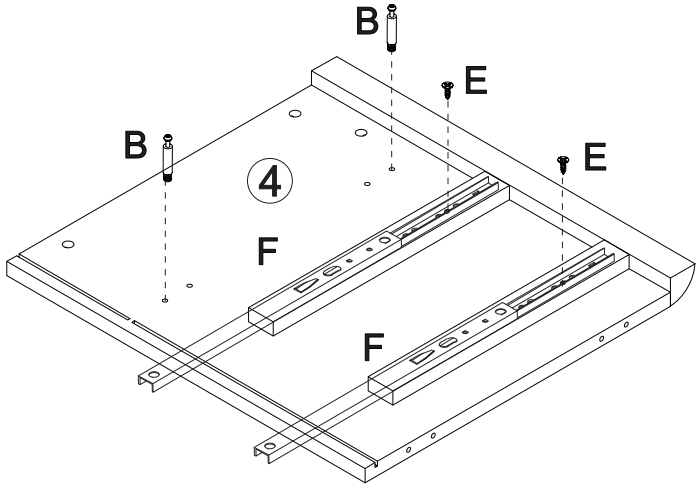
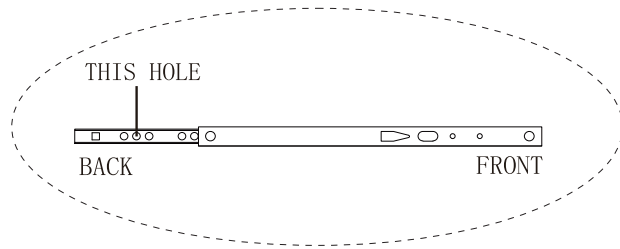
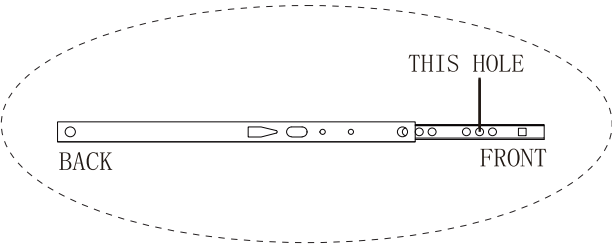
Step 5

	Bx2
	Ex4
	Fx2



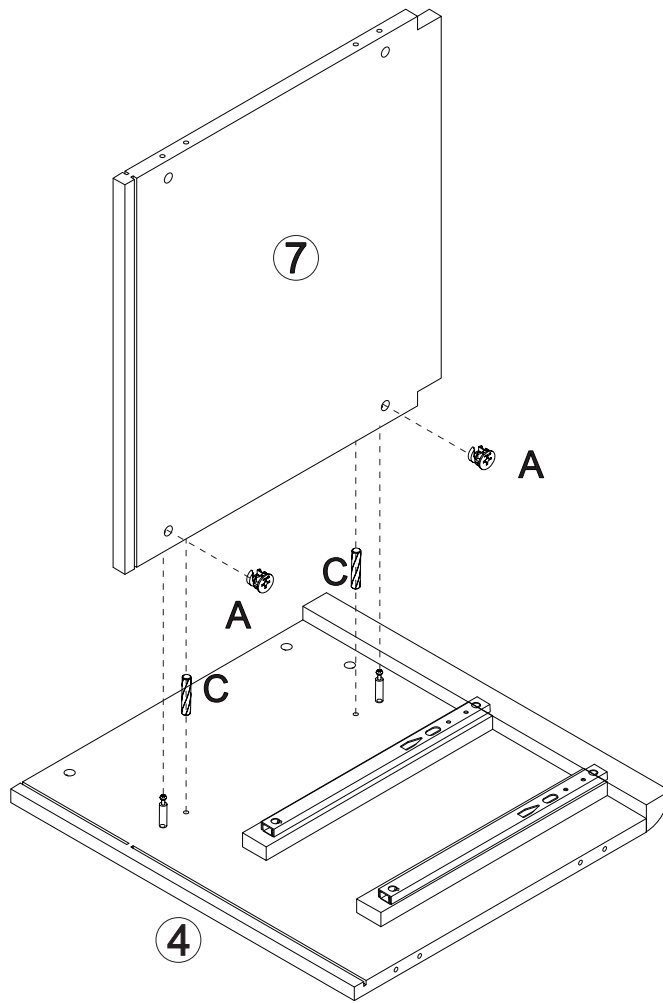
Step 6

	Bx2
	Ex4
	Fx2



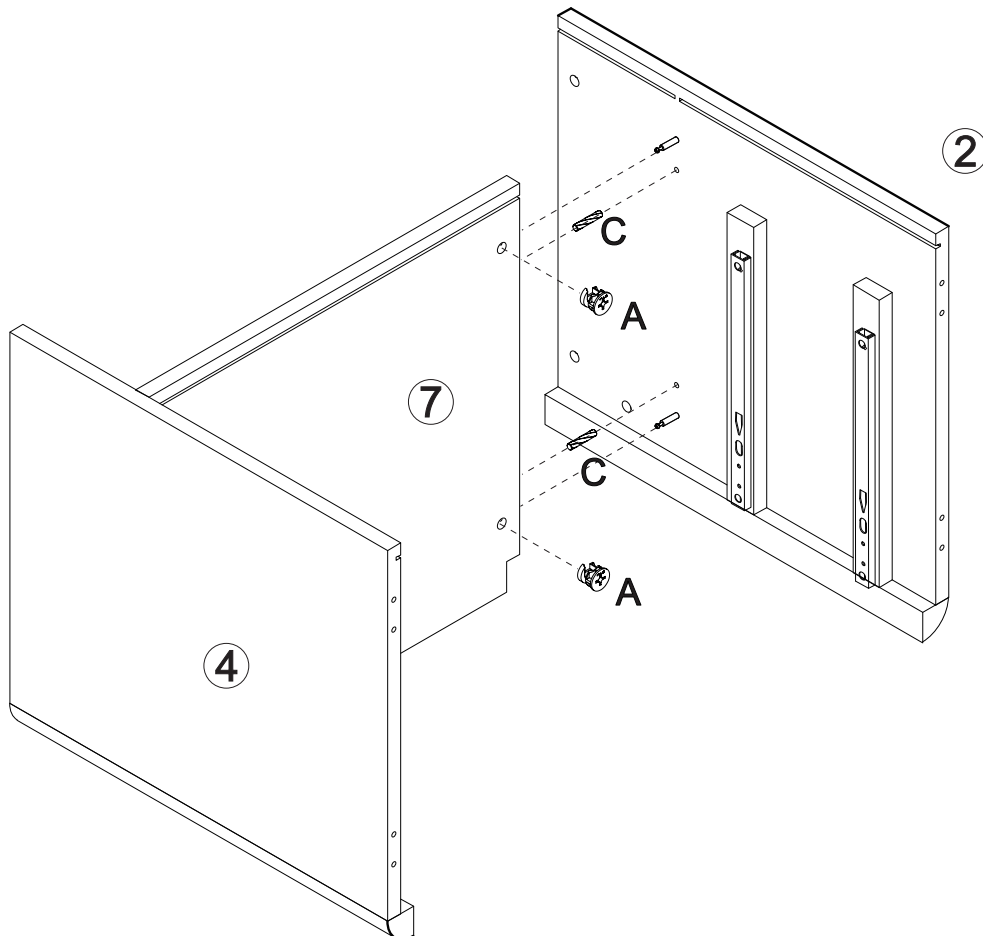
Step 7

	Ax2
	Cx2

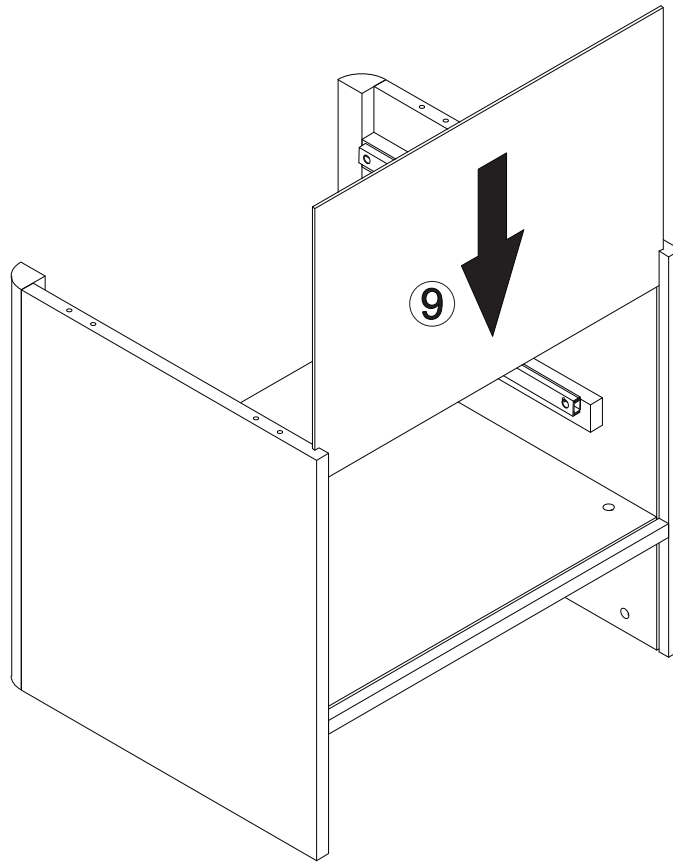


Step 8

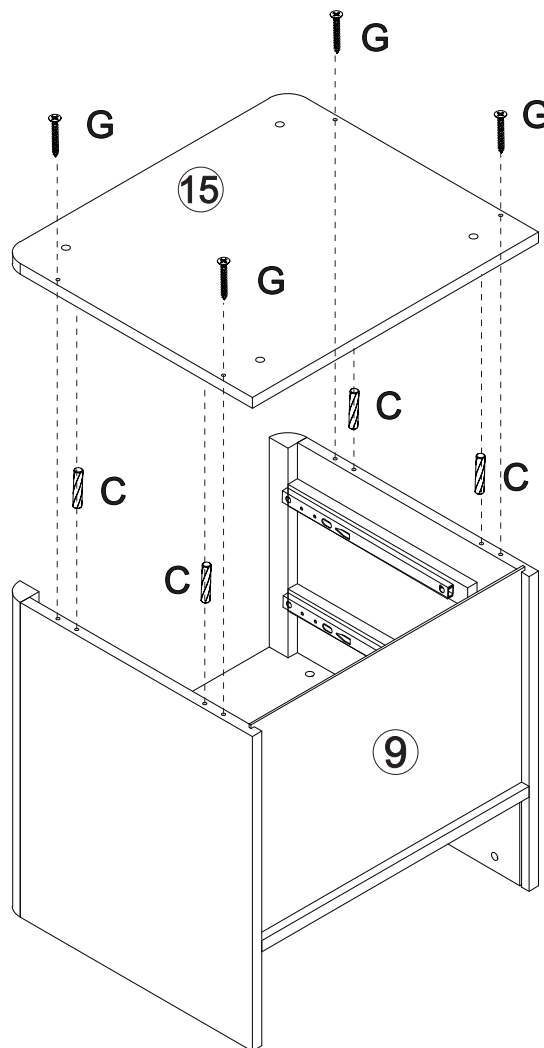
	Ax2
	Cx2





Step 9

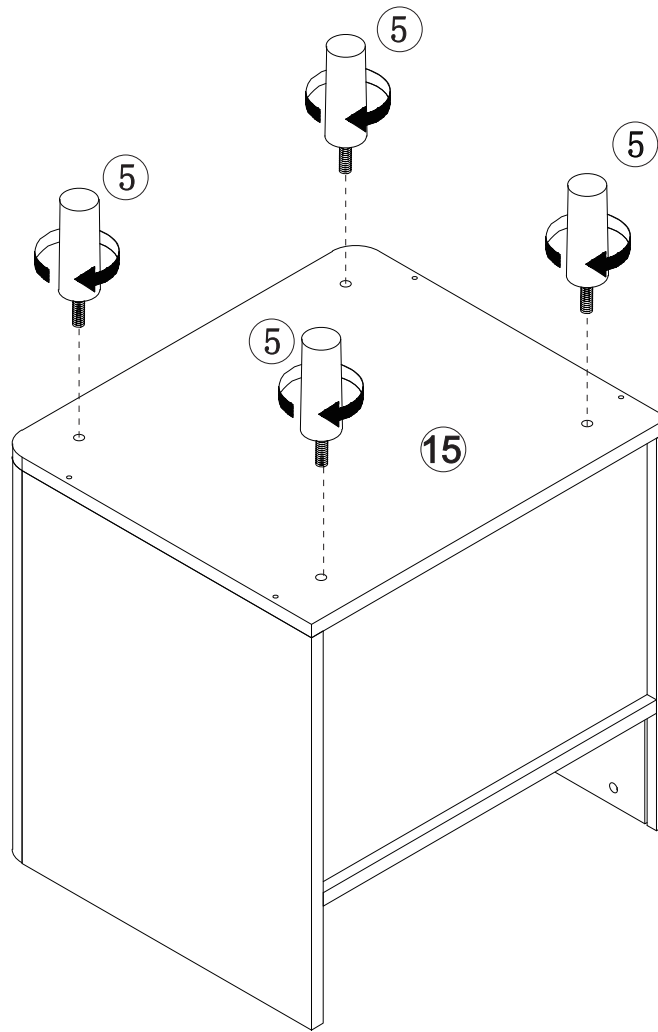


Step 10

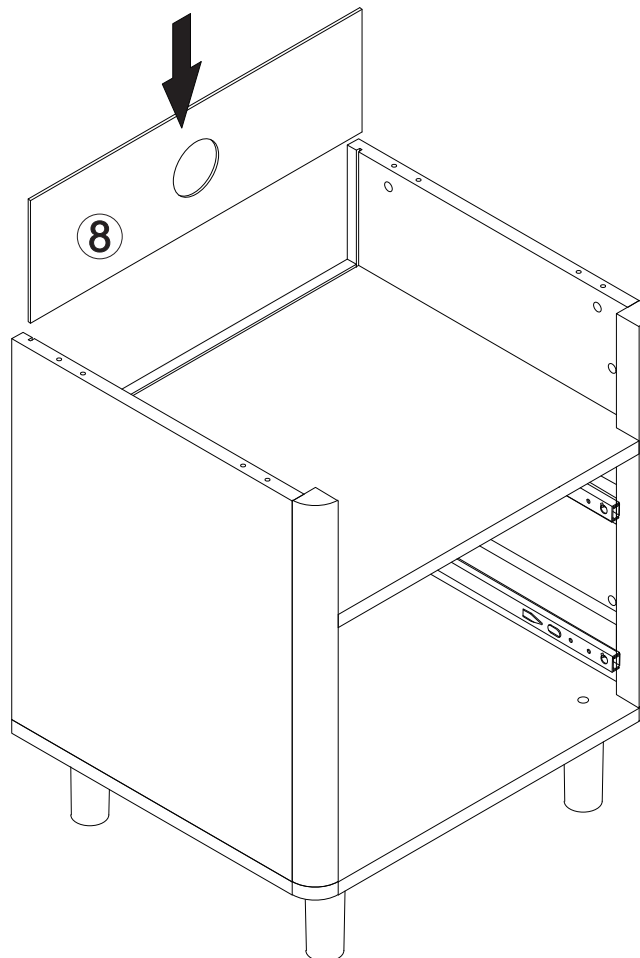


	Cx4
	Gx4







Step 11

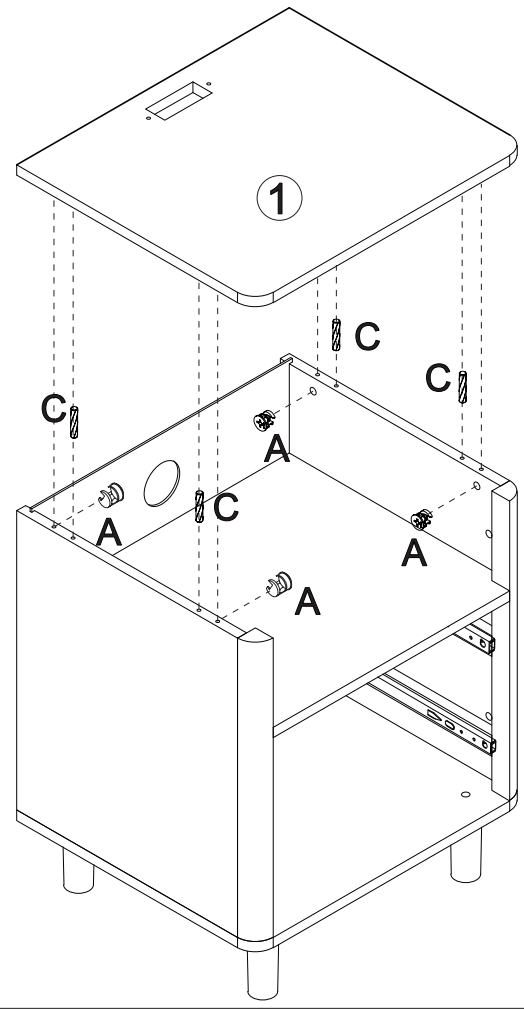
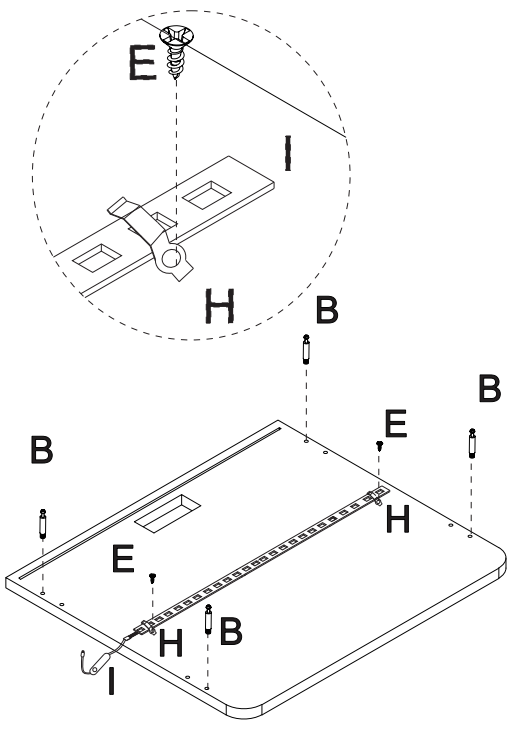


Step 12



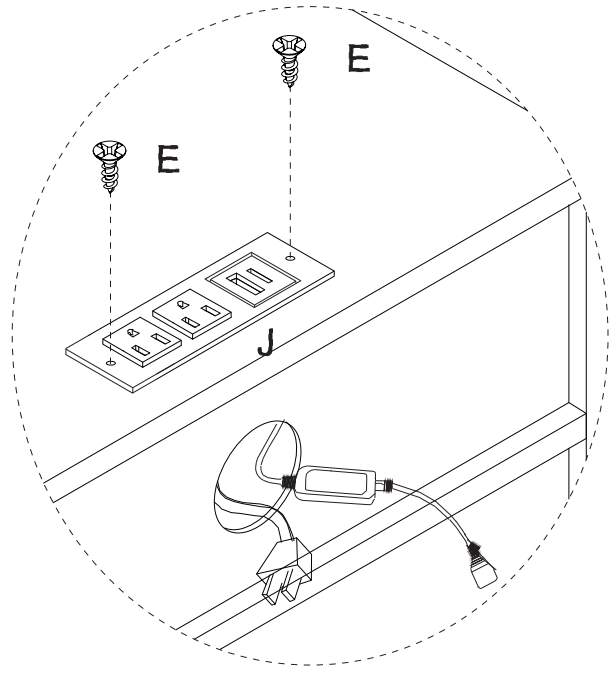
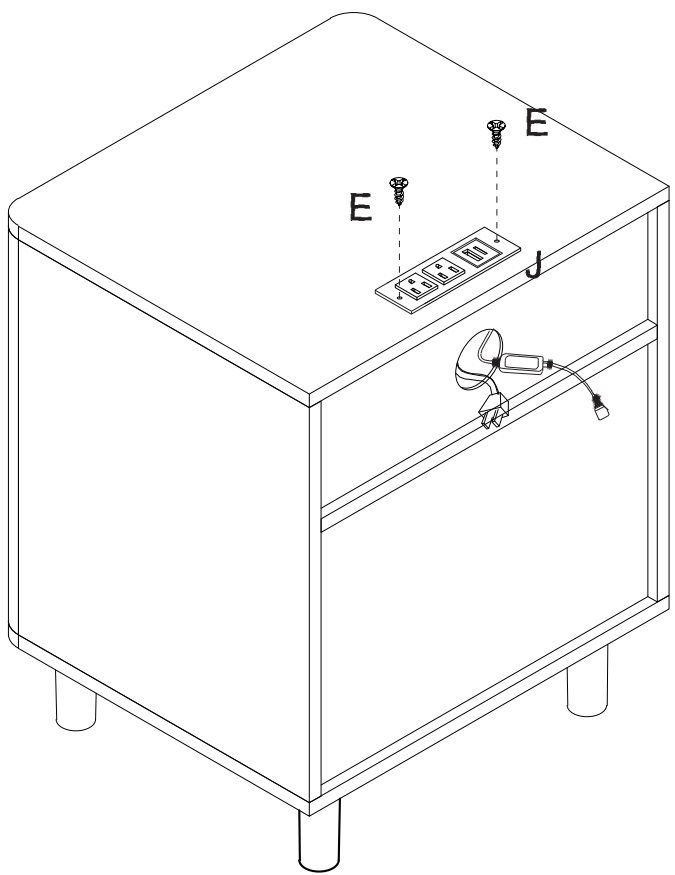
Step 13

	Ax4
	Bx4
	Cx4
	Ex2
	Hx2
	Ix1




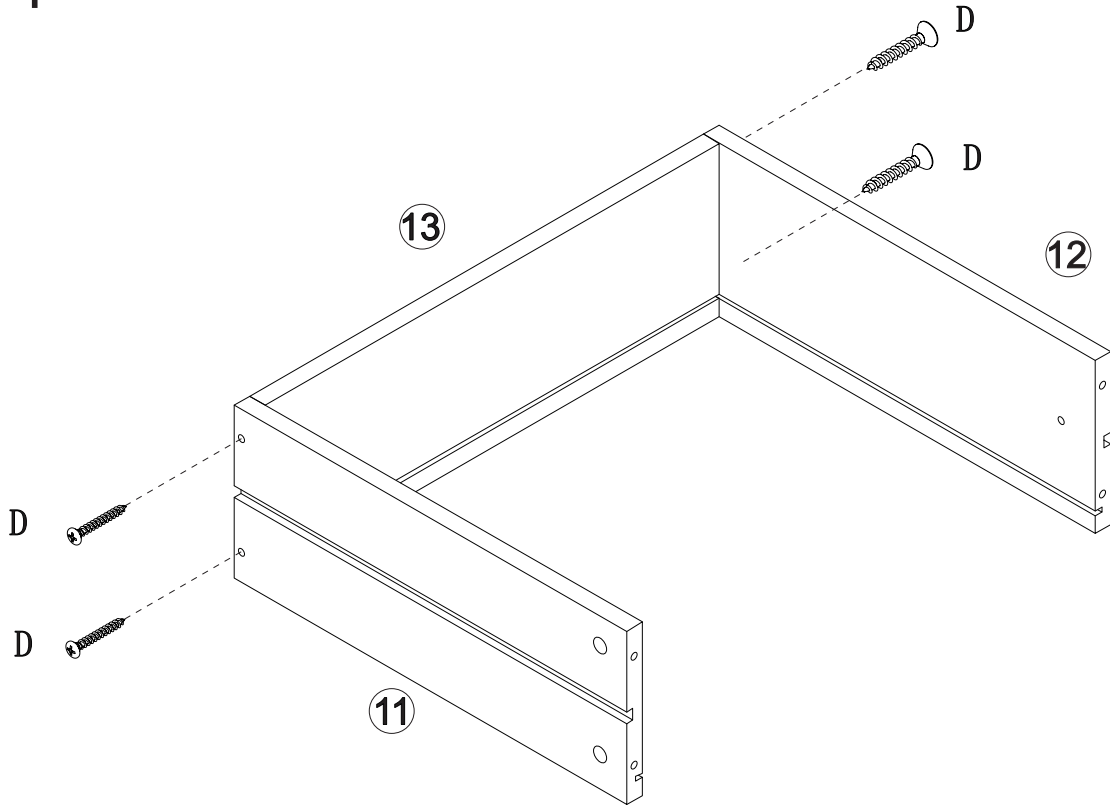
Step 14

	Ex2
	Jx1



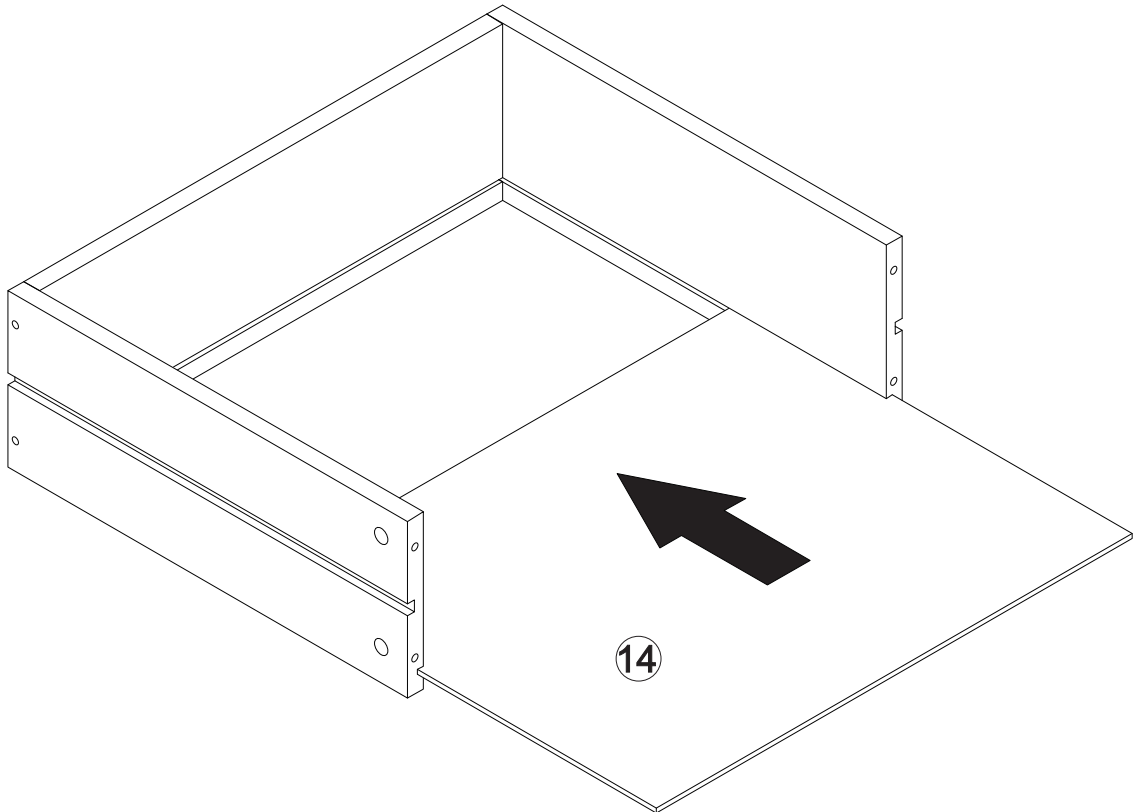
Step 15

 Dx8







x2

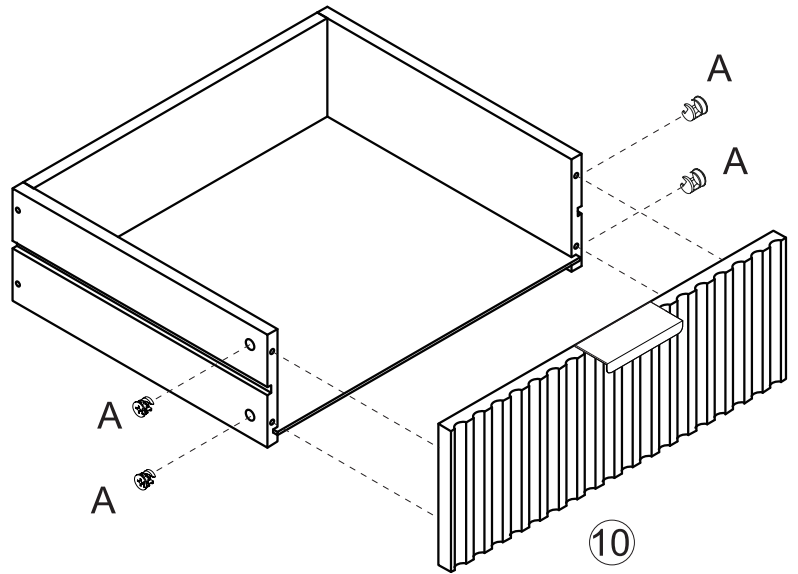
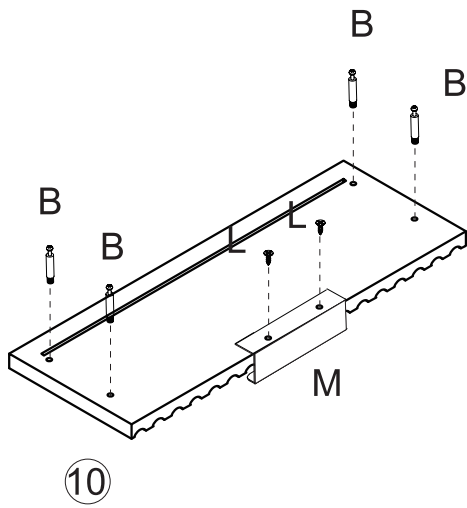
Step 16



x2

Step 17

	Ax8
	Bx8
	Lx4
	Mx2



x2

Step 18

	Kx4
---	-----

