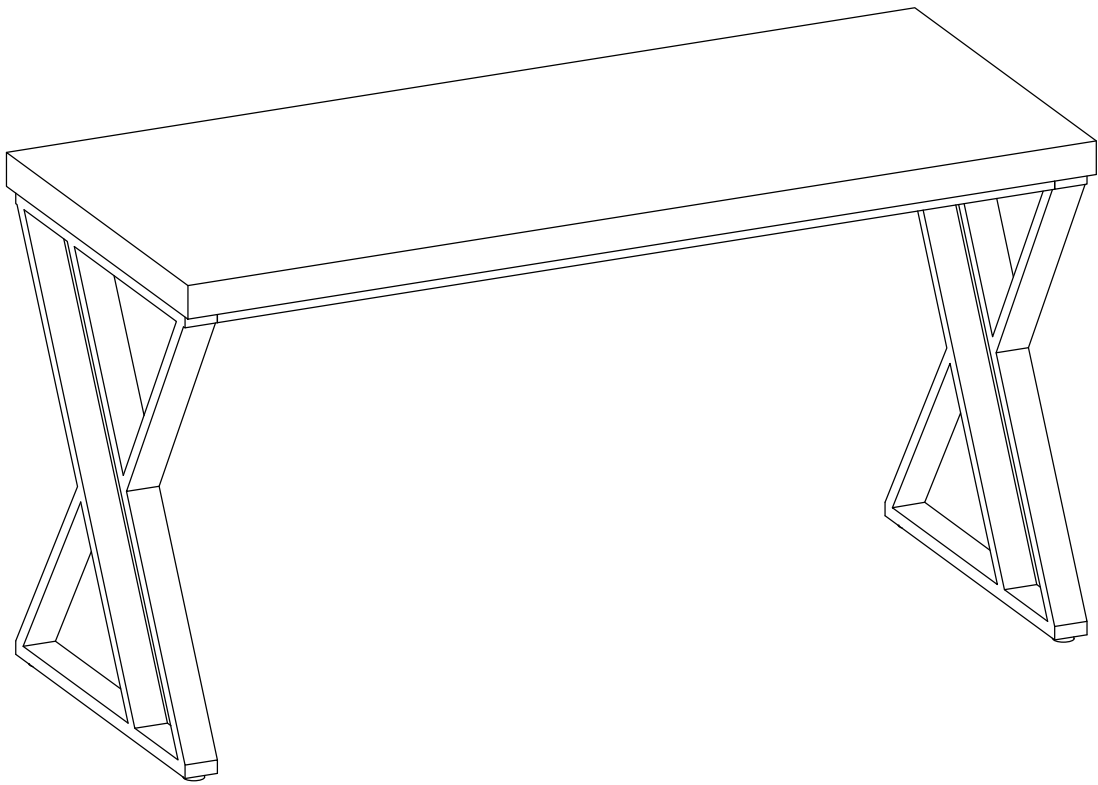
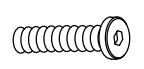
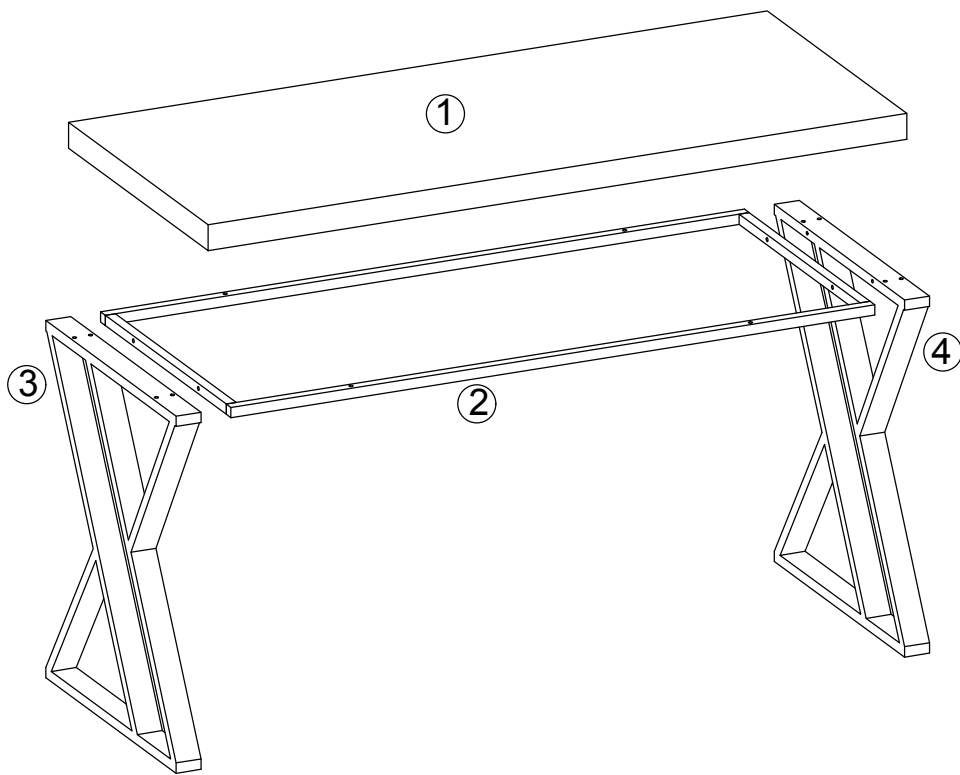


Installation Instructions



Notes: Don't tighten screws completely at first, just in case parts were assembled wrongly and need disassemble. Tighten screws at last when all parts are put together.

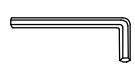


M6x35mm

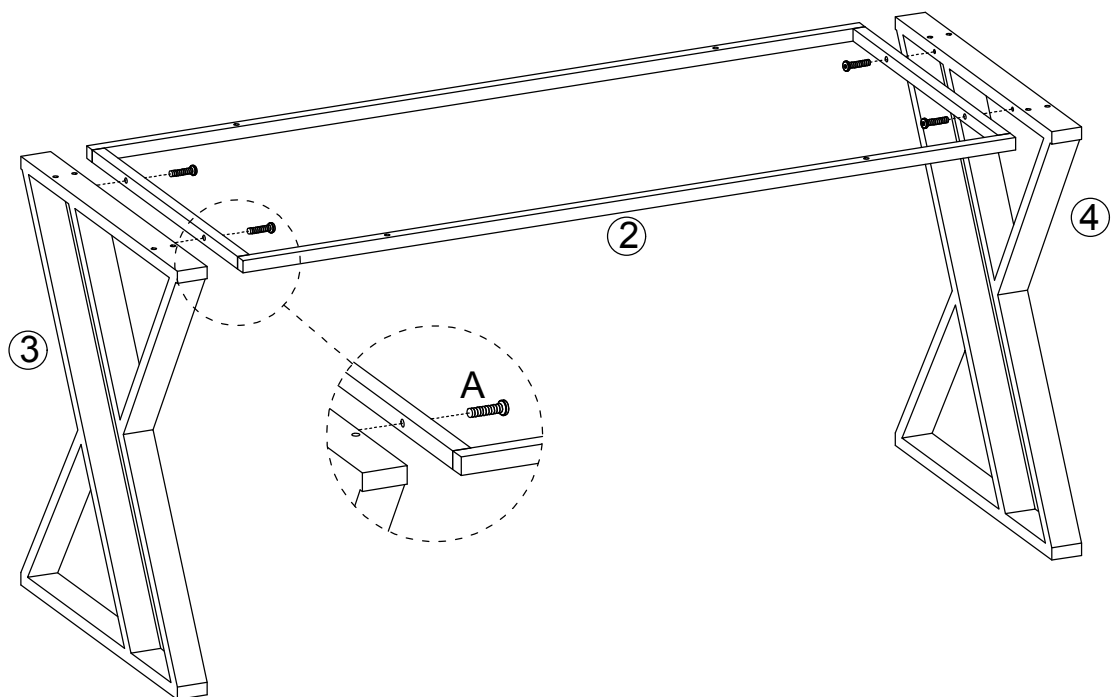
Ⓐ × 16 pcs



Ⓑ × 4 pcs



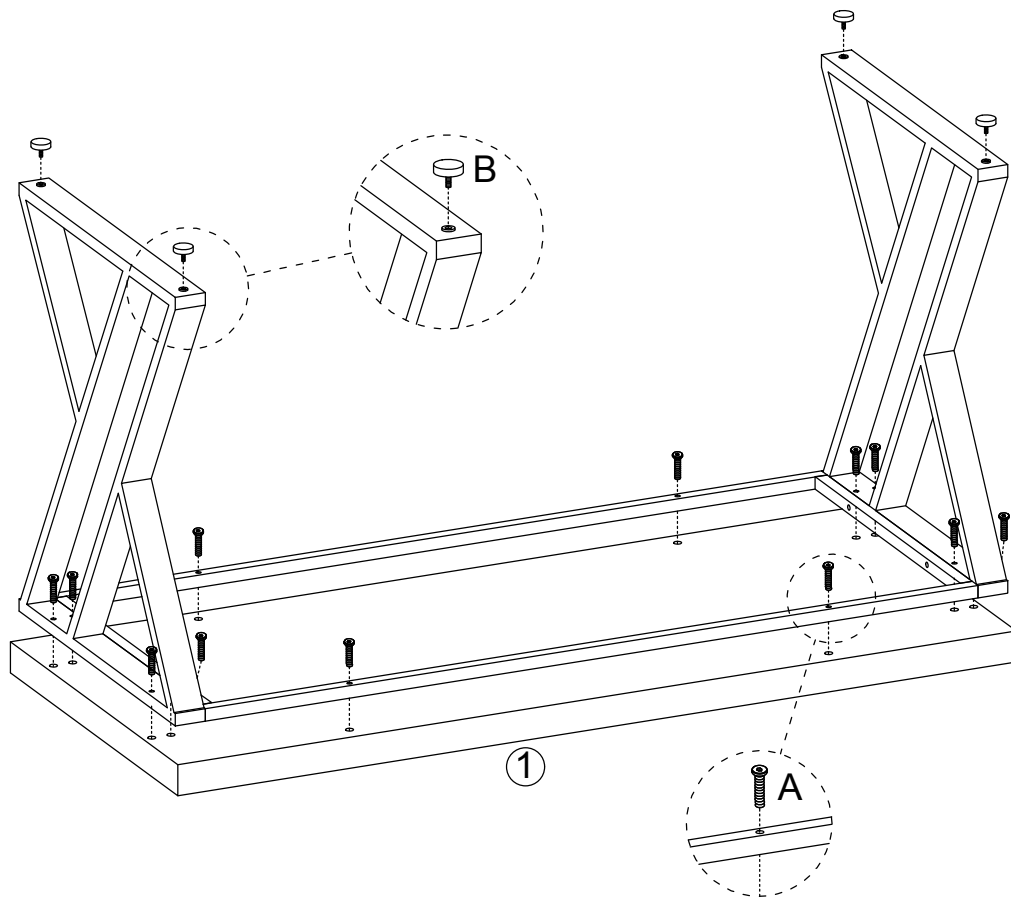
Ⓒ × 1 pc

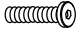



M6x35mm

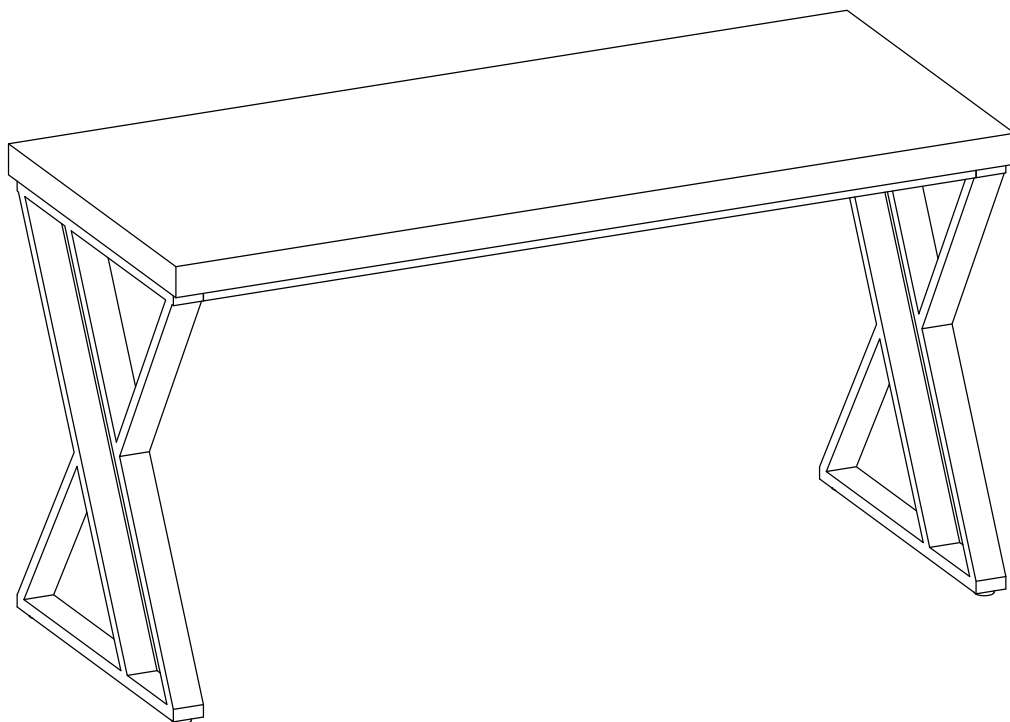
Ⓐ × 4 PCS

Step 1



 M6×35mm	
Ⓐ ×12PCS	Ⓑ ×4PCS

Step 2



Thanks for choosing Tribesigns product, your satisfaction is our priority. If you have any installation problems or any damages caused by shipping, feel free to contact us at "support@tribesigns.com", our friendly customer service will solve problem for you.