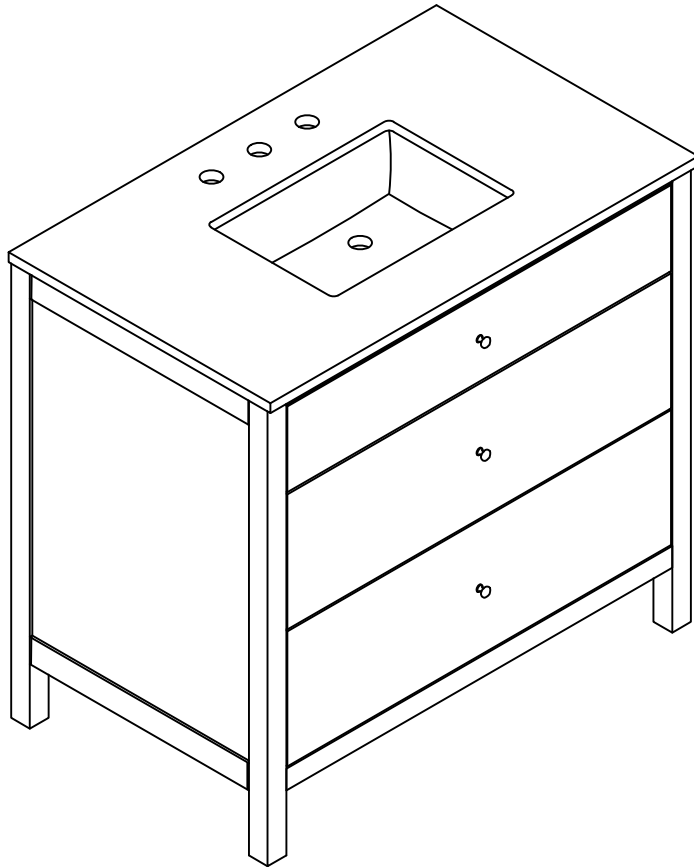


36" SINGLE VANITY

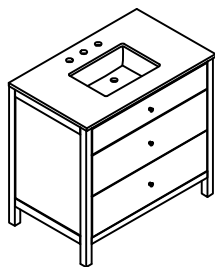
Assembly Instructions



Every thing we make is incredibly simple to set up, including your new vanity. You won't need any additional tools.

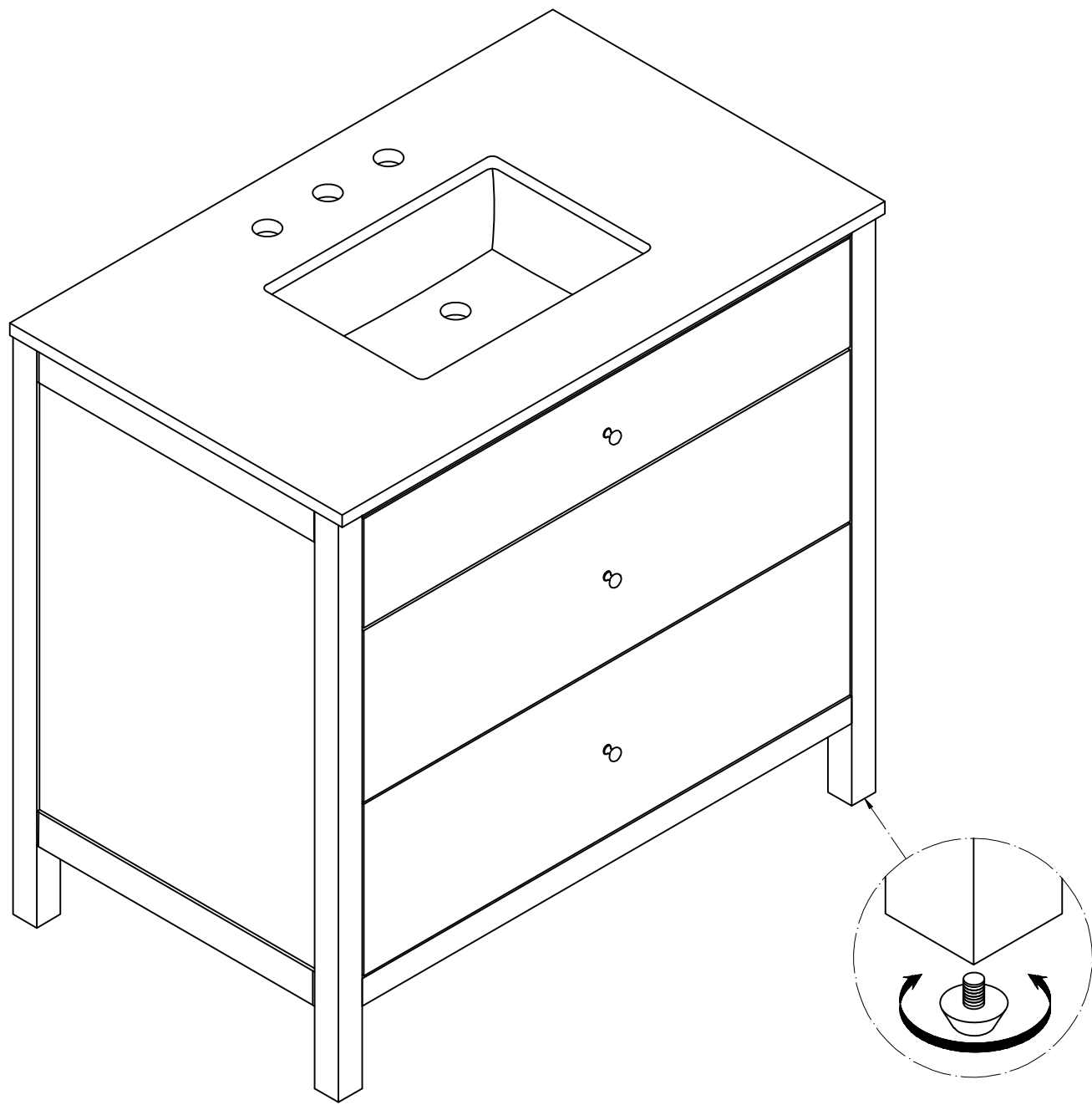
Parts List

A x 1
MAIN BODY

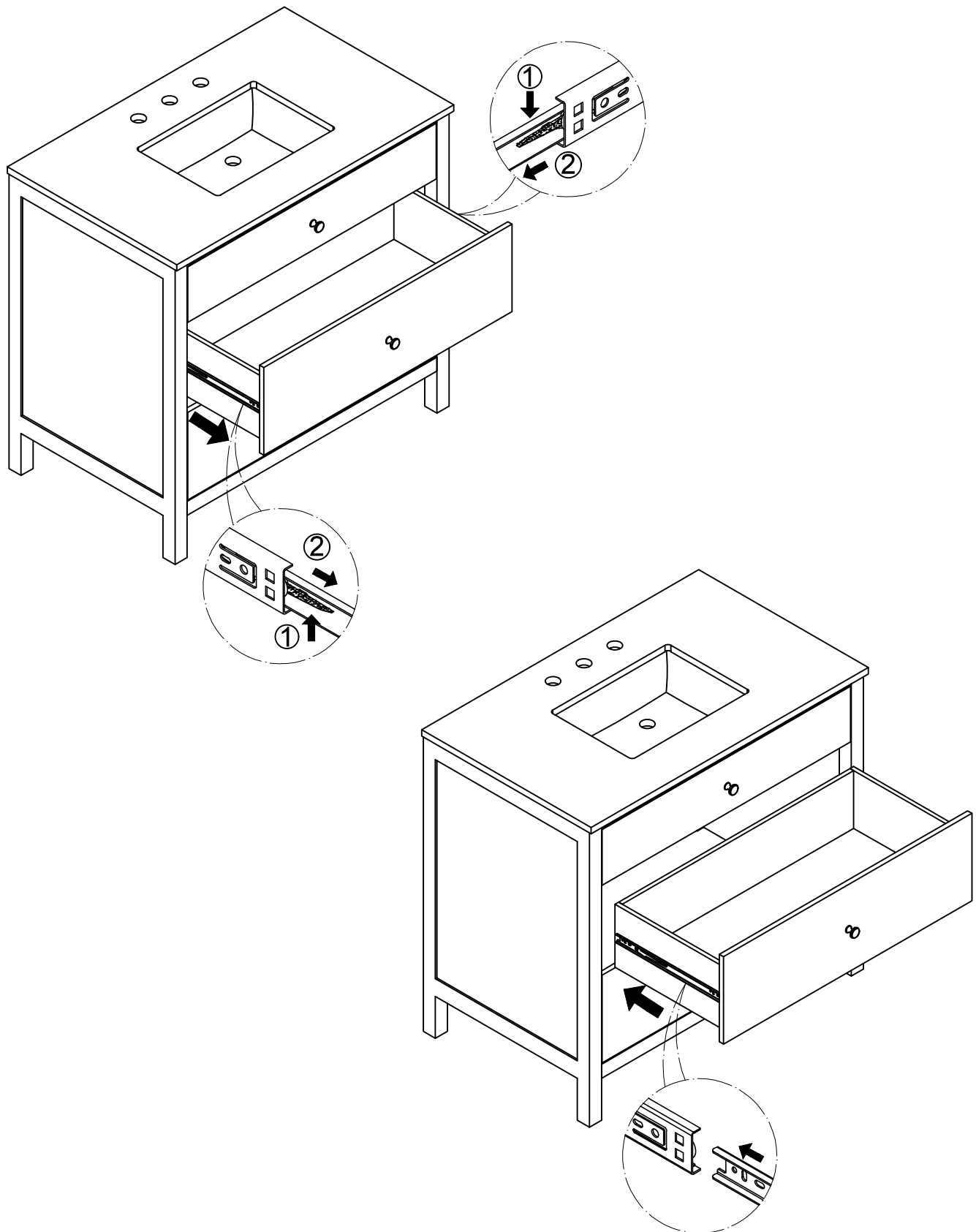


1

Adjust the levelers on the bottom of the feet as needed to make the Vanity Body (A) level.



To remove the drawers, detach the male slides from the female slides by pressing up on the tabs and pulling the drawer forward. To reattach the drawers, align the male slides with the female slides and push the drawers in gently.



Place the Vanity in the place where you will use it. We'd love to see it – just tag us and use on Instagram!

