

# ASSEMBLY INSTRUCTION

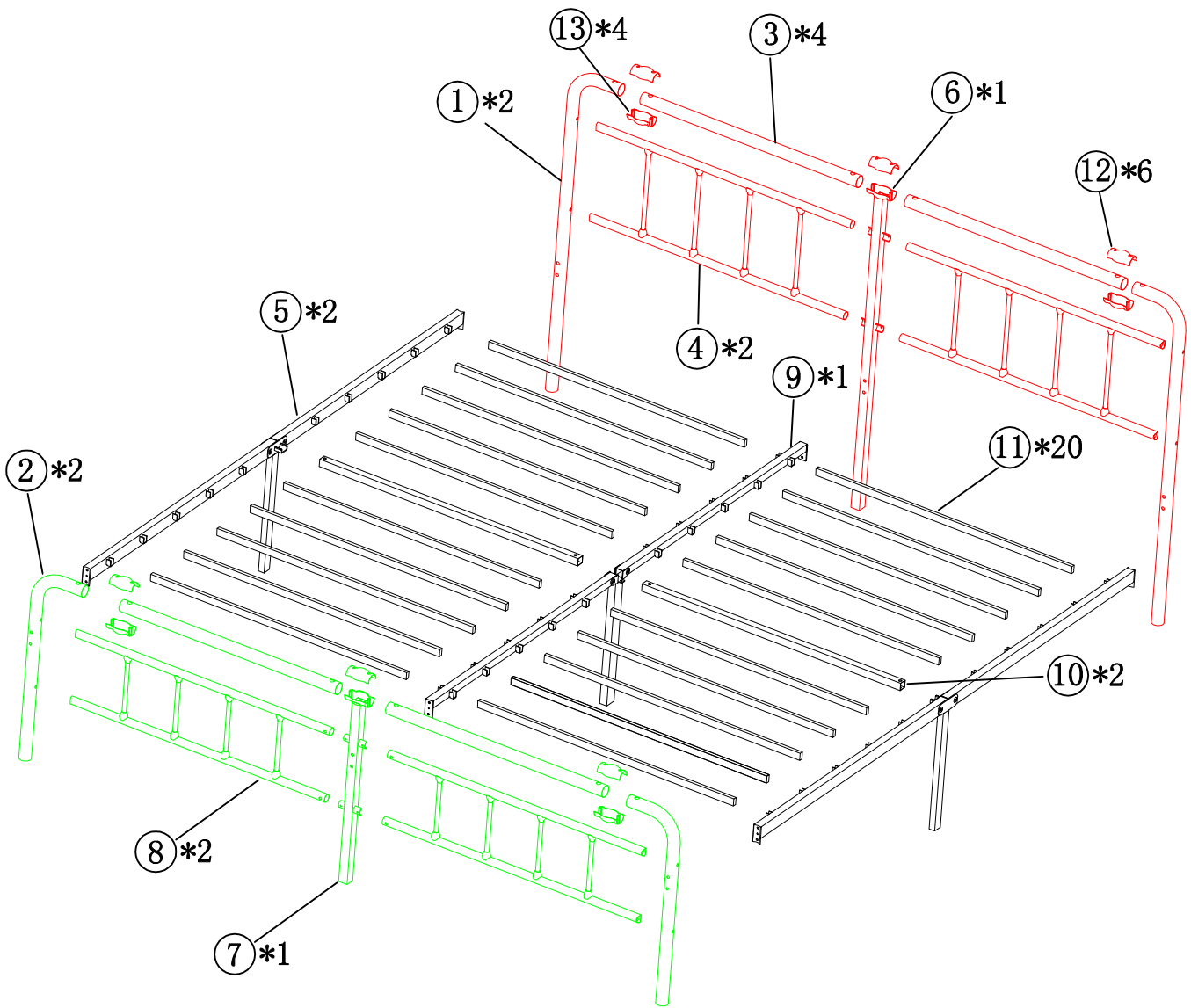
Dear sir/madam


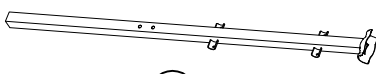

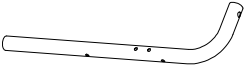
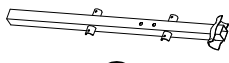

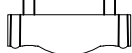

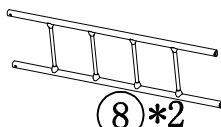


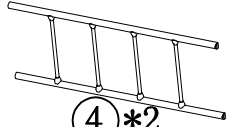



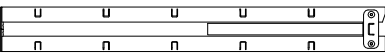



Thank you for choosing our product, please kindly notice that:

1, Do not skip step


2, Do not fullytight screws until all the bed parts are assembled

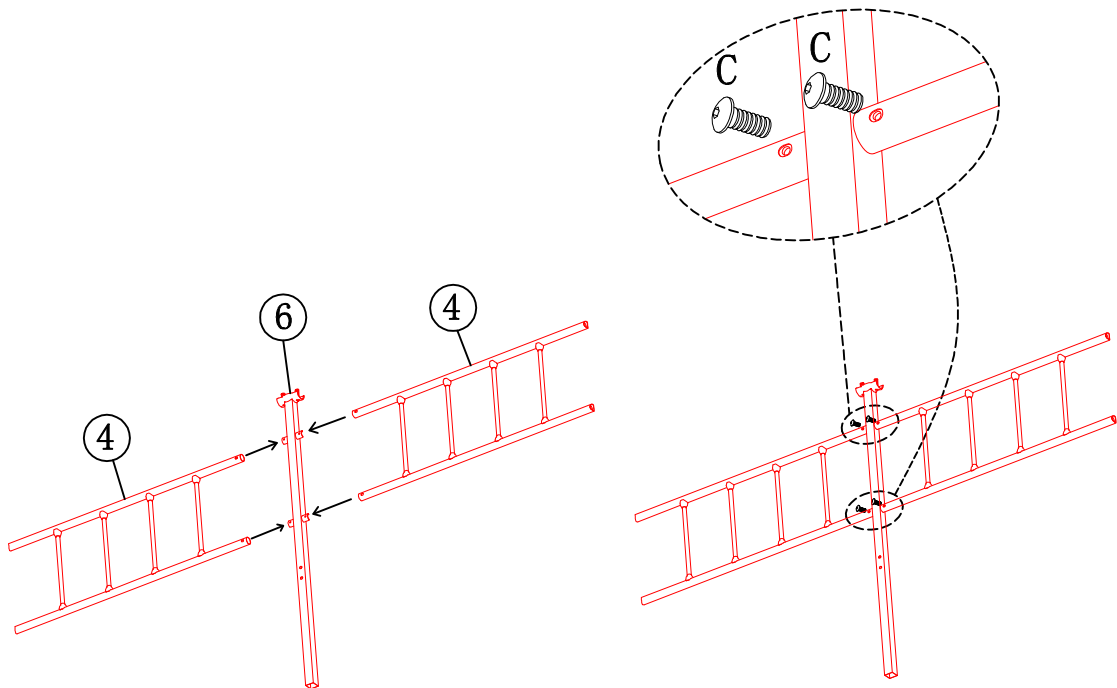




 ①*2	 ⑥*1	 ⑪*20	
 ②*2	 ⑦*1	 ⑫*6	 ⑬*4
 ③*4	 ⑧*2	 A*9 (M8*56)	 D*13 (M8*41)
 ④*2	 ⑨*1	 B*13 (M6*35)	 E*5 (M8*35)
 ⑤*2	 ⑩*2	 C*9 (M6*10)	 F*1

# Step 1

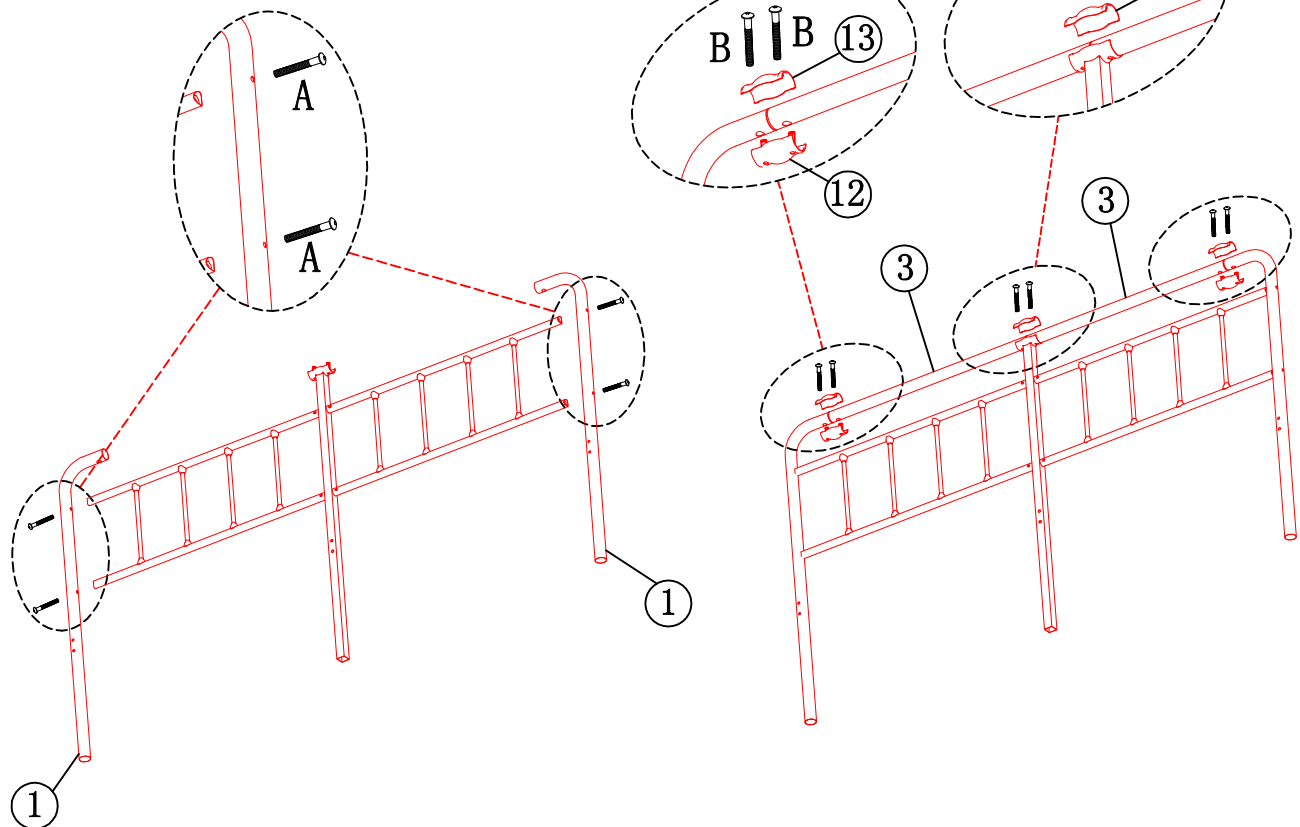
  
C\*4  
(M6\*10)



# Step 2

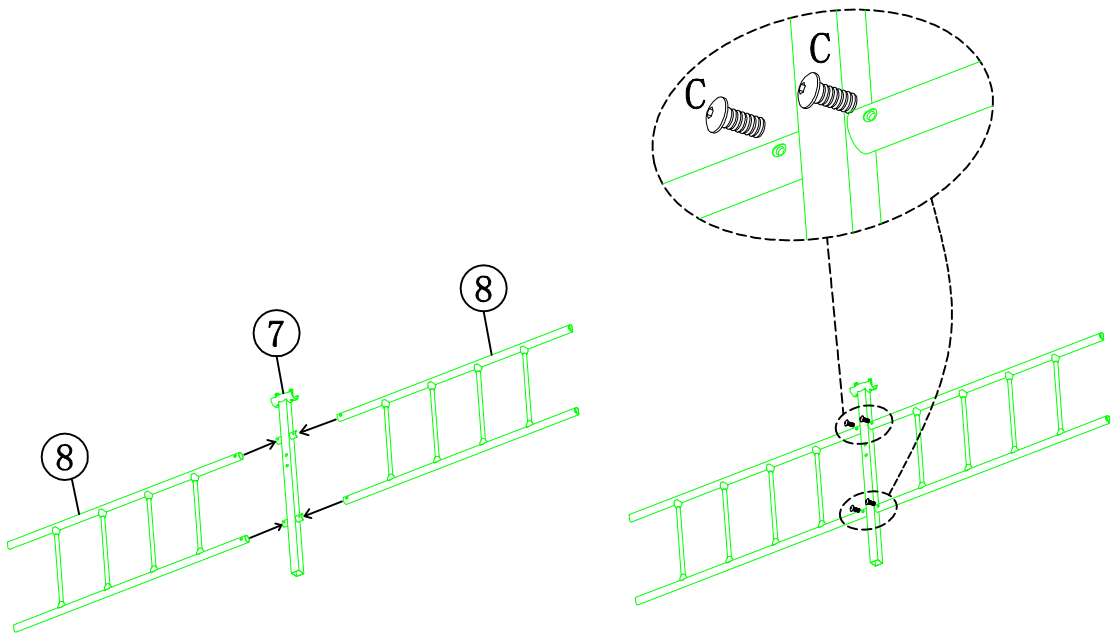
A\*4  
(M8\*56)

B\*6  
(M6\*35)



# Step3

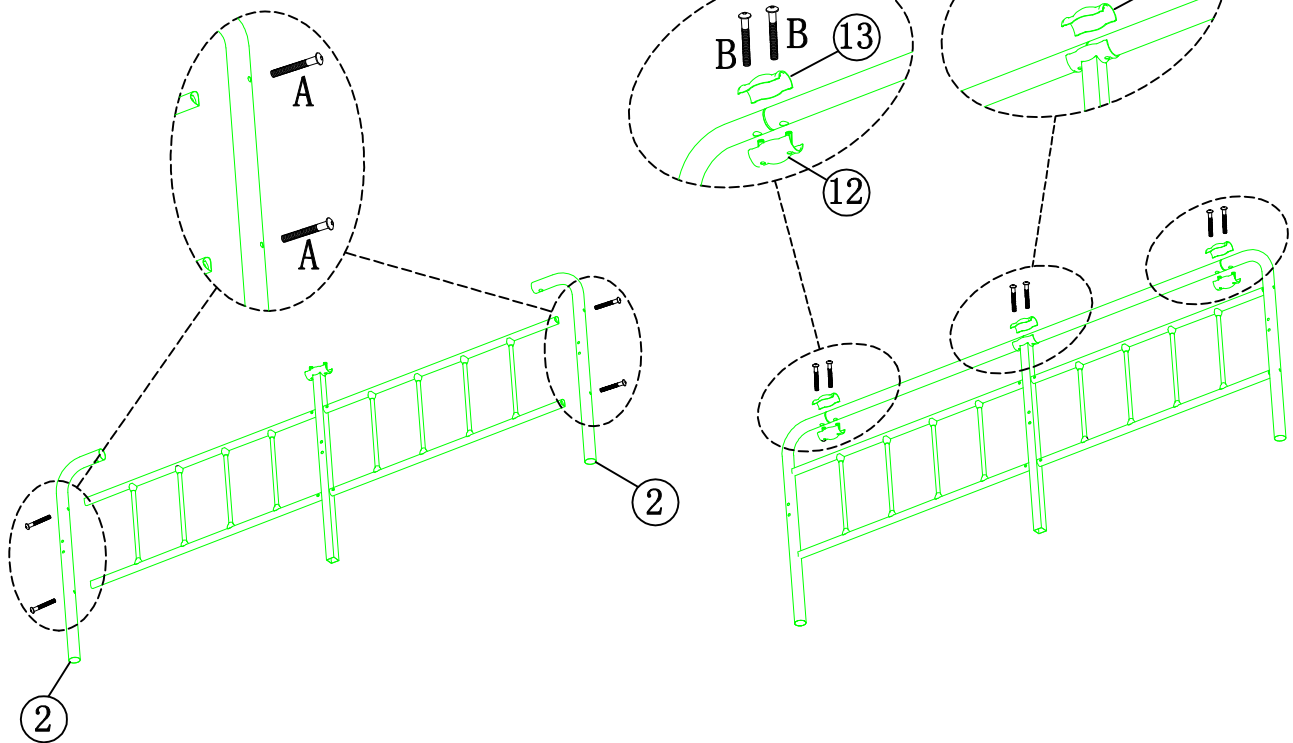
C\*4  
(M6\*10)



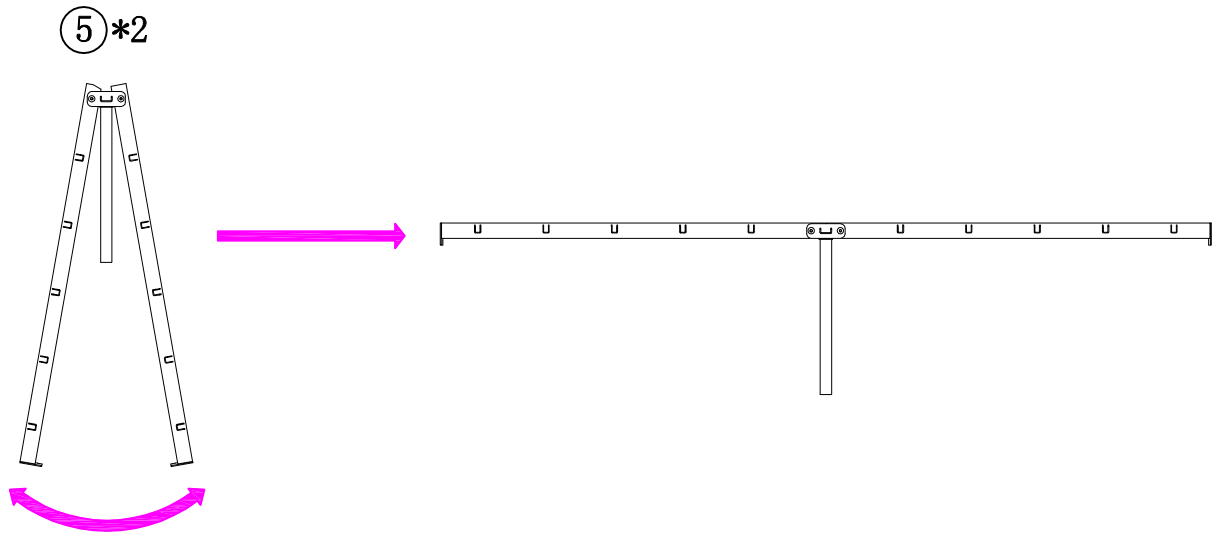
# Step4

A\*4  
(M8\*56)

B\*6  
(M6\*35)

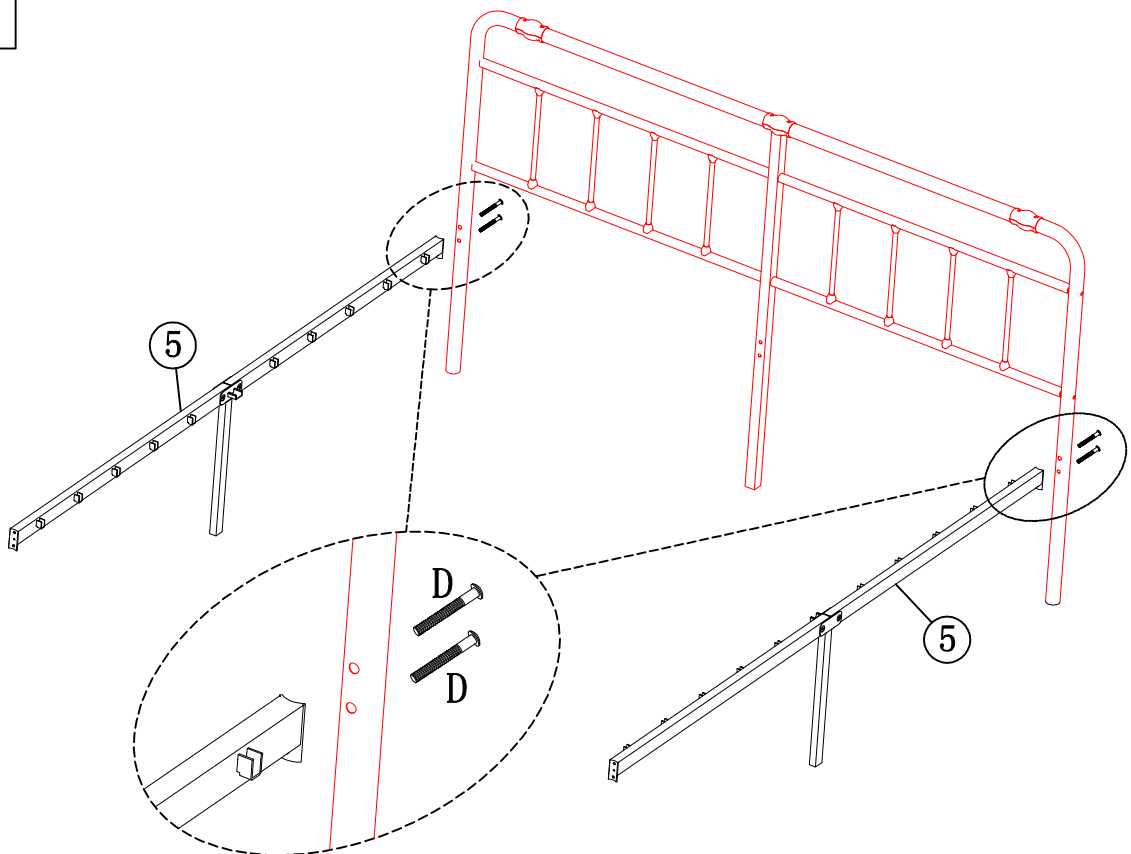


# Step5



D\*4  
(M8\*41)

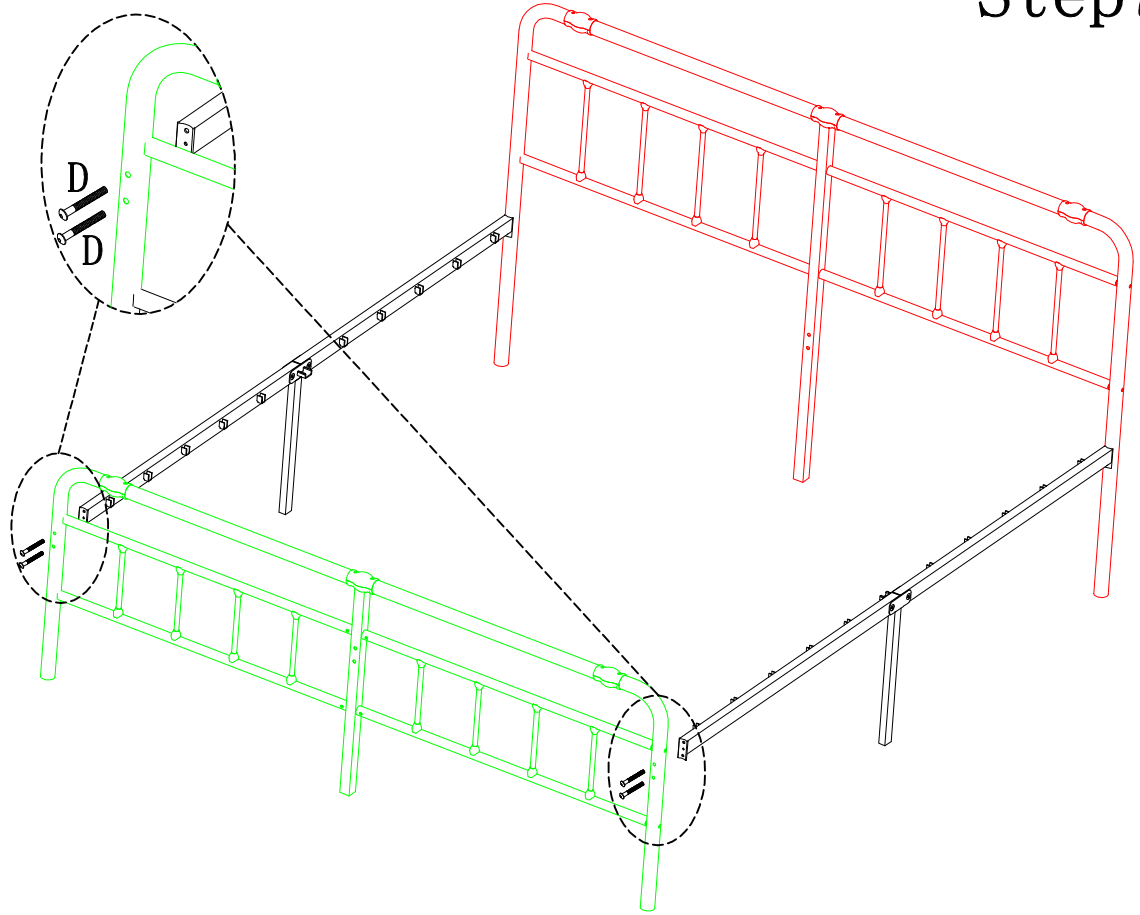
# Step6



# Step7

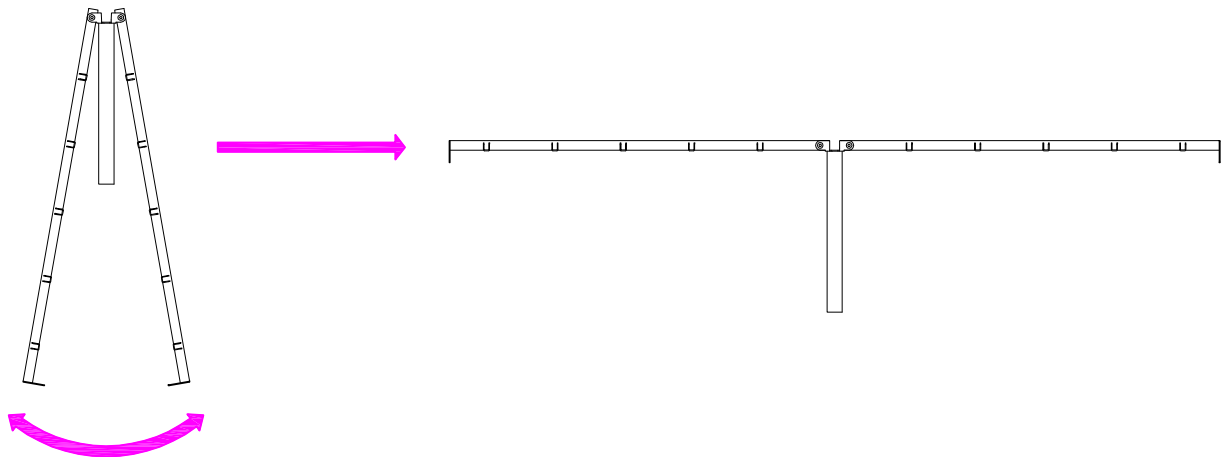


D\*4  
(M8\*41)



# Step8

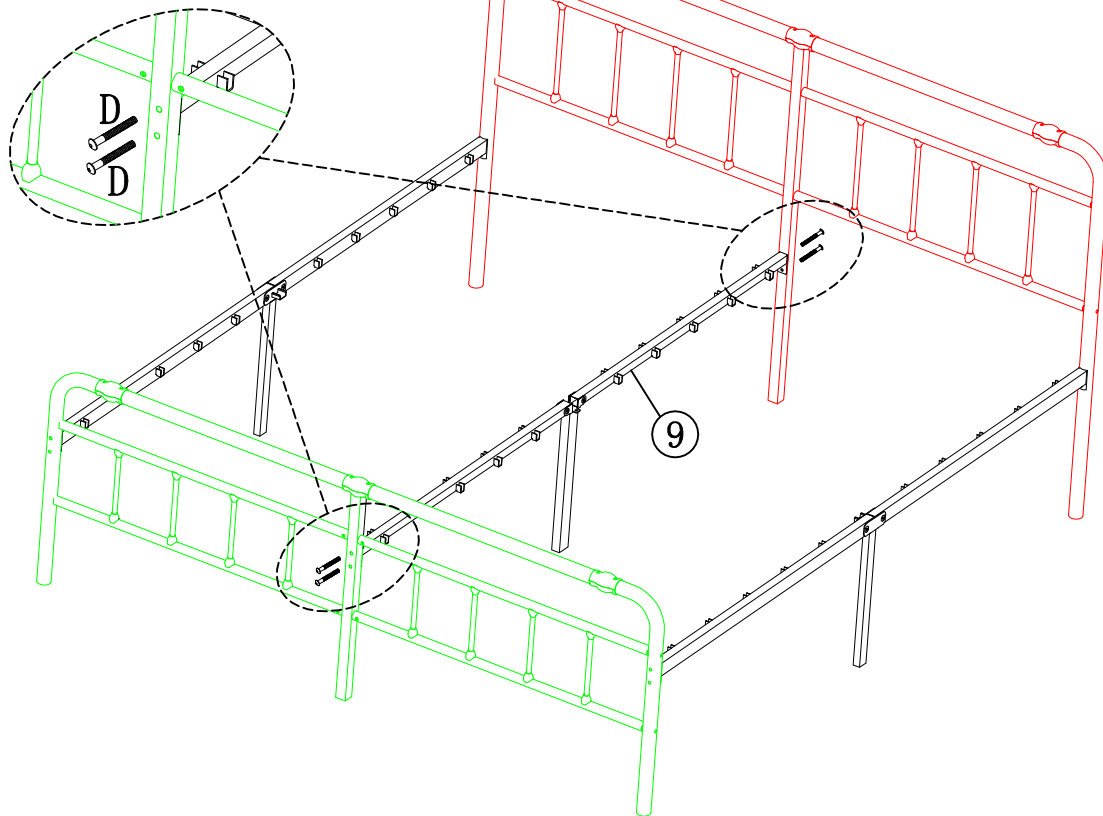
⑨\*1



# Step 9



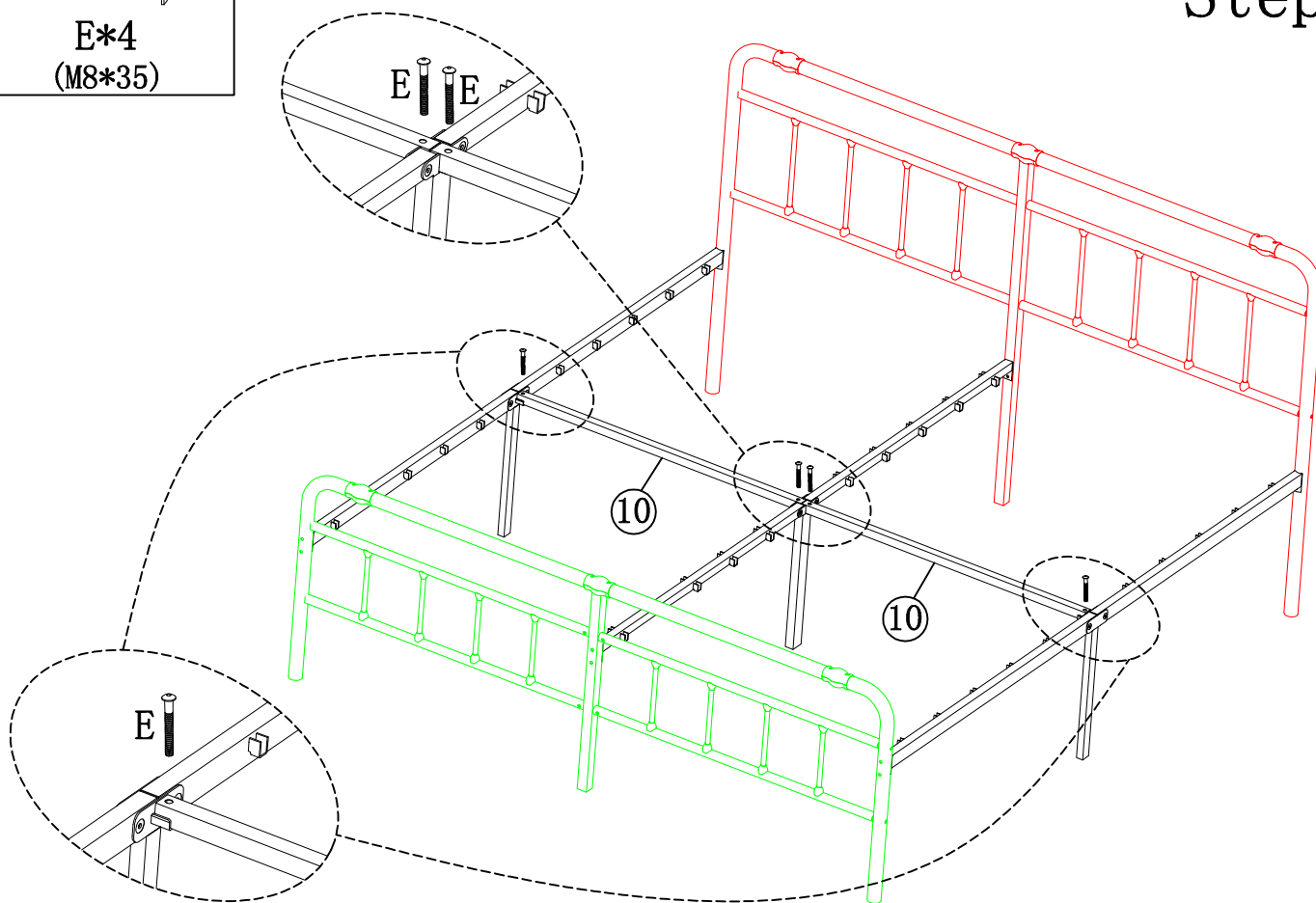
D\*4  
(M8\*41)



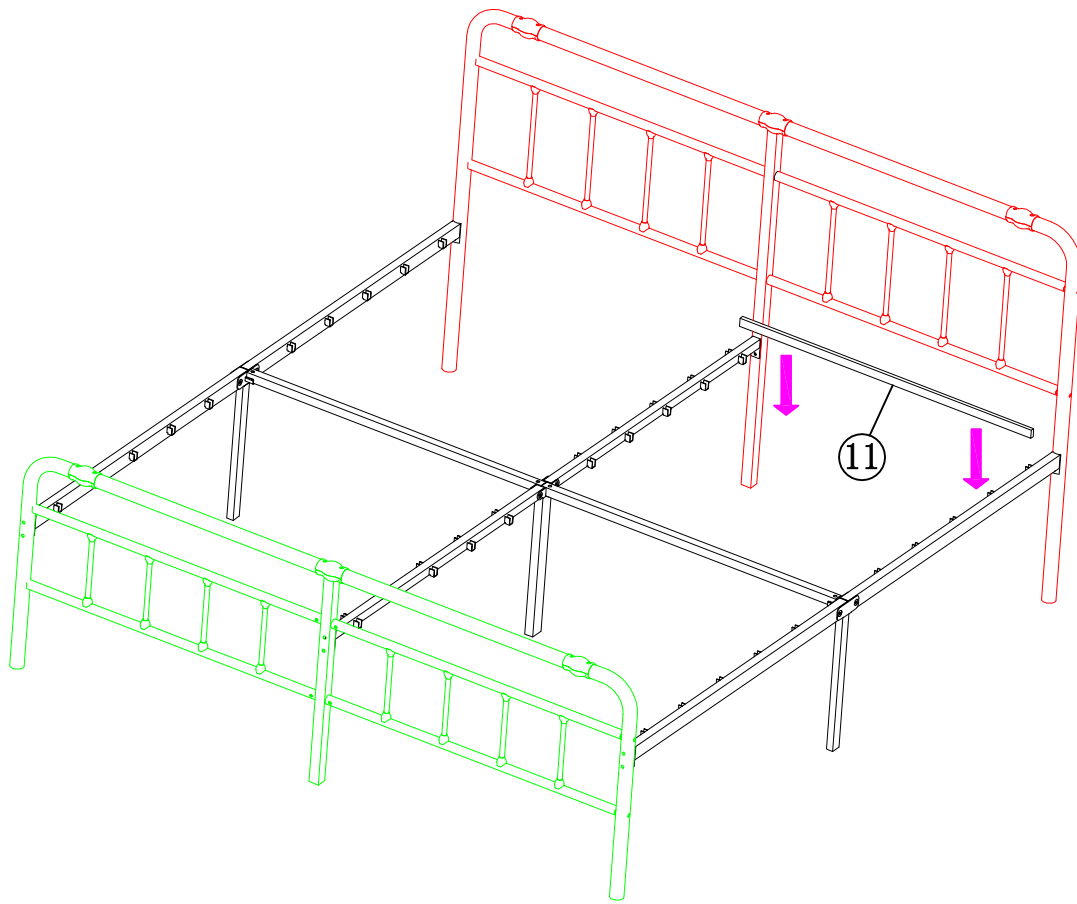
# Step 10



E\*4  
(M8\*35)



# Step11



# Step12

