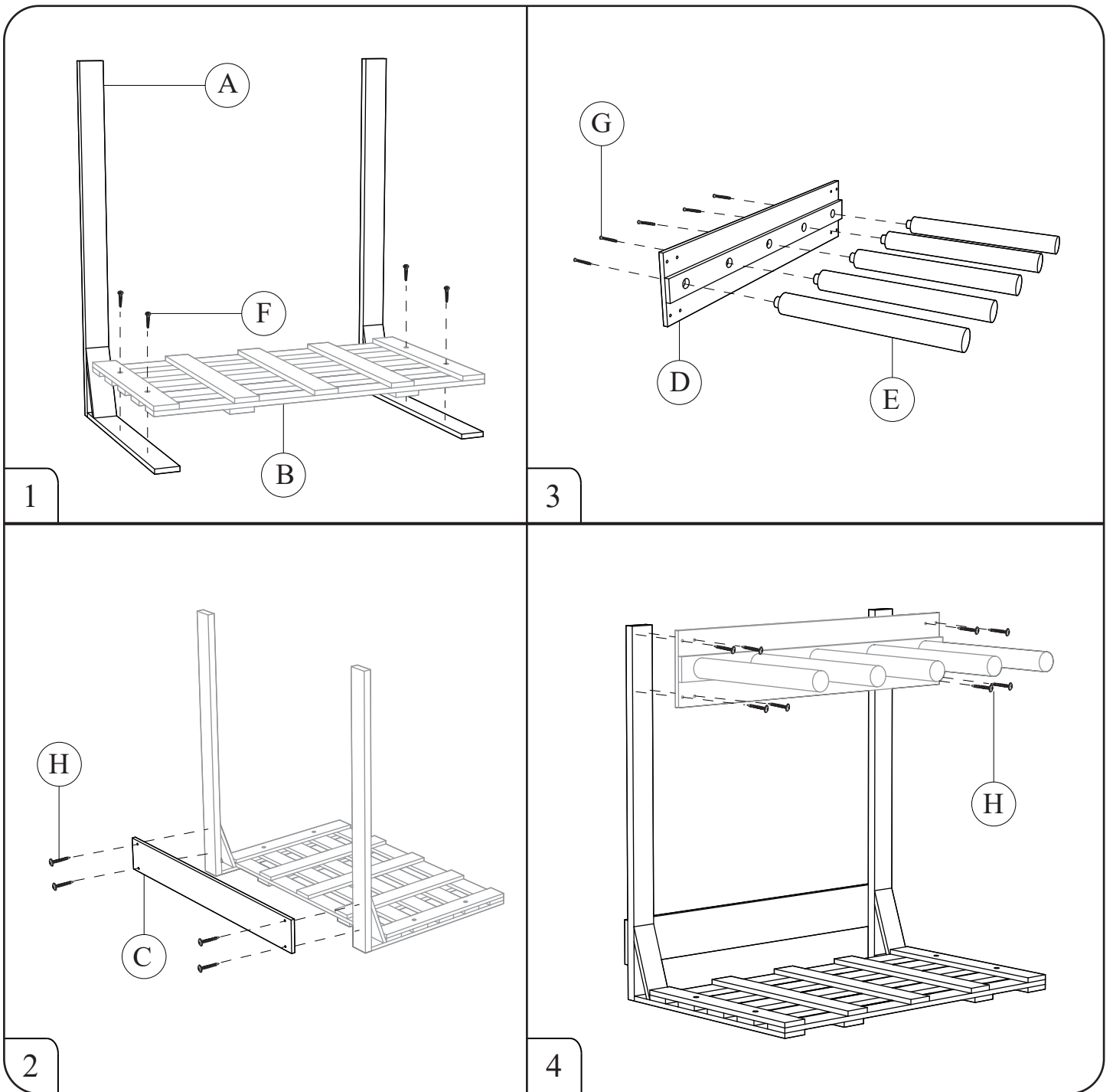


Vintage Freestanding Vertical Surf Board Storage Rack



No.	A	B	C	D	E	F	G	H
Part								
Pcs	2	1	1	1	5	M7x48	M7x39	S4x33